

ELITAVIA

MEMORY CARD CONNECTORS

SMART MEDIA CARD CONNECTORS

PCMCIA 68 PIN CARD CONNECTORS

SECURE DIGITAL (SD) CARD CONNECTORS

MICRO SECURE DIGITAL CARD CONNECTORS

COMPACT FLASH CARD CONNECTORS

SIM CARD CONNECTORS

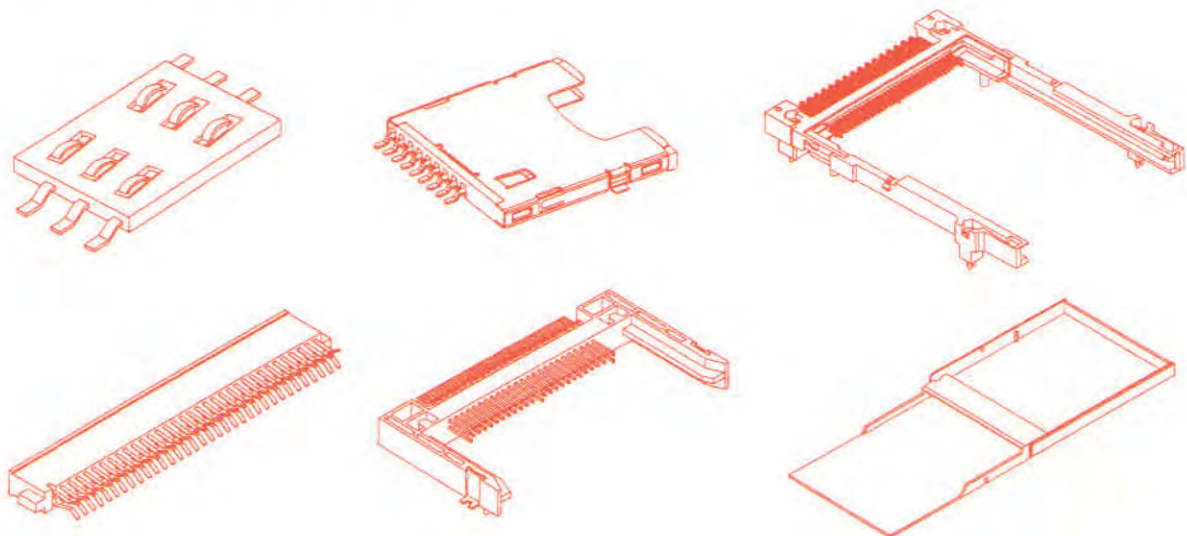
MEMORY STICK CARD CONNECTORS

XD PICTURE CONNECTORS

SMART (IC) CARD CONNECTORS

MULTI MEMORY CARD CONNECTORS

BATTERY CONNECTORS



CAT. MCD-M

CAT. MCD-M (INDEX)

<u>DESCRIPTION</u>	<u>PAGE</u>
MICRO SD (T-FLASH) CARD CONNECTORS-----	M001~M026
MICRO SD (T-FLASH) + SIM CARD CONNECTORS-----	M081~M089
SD (SECURE DIGITAL) CARD CONNECTORS-----	M101~M125
MINI SD CARD CONNECTORS-----	M181~M184
COMPACT FLASH CARD CONNECTORS-----	M201~M239
SIM CARD 6 PIN CARD CONNECTORS-----	M301~M357
SIM CARD 8 PIN CARD CONNECTORS-----	M401~M421
SIM CARD 8, 12 & 16 PIN 2*1 STACKED CONNECTORS-----	M481~M486
SMART (IC) 8 & 16 CARD CONNECTORS-----	M501~M511
MEMORY STICK 10 PIN CARD CONNECTORS-----	M531
SMART MEDIA 22 PIN CARD CONNECTORS-----	M551
XD PICTURE 19 & 21 PIN CARD CONNECTORS-----	M571~M572
PCMCIA 68 PIN MALE CARD CONNECTORS-----	M581~M583
2 IN 1 MEMORY CARD CONNECTORS-----	M601~M604
3 IN 1 MEMORY CARD CONNECTORS-----	M611~M615
4 IN 1 MEMORY CARD CONNECTORS-----	M621~M625
5 IN 1 MEMORY CARD CONNECTORS-----	M631~M632
6 IN 1 MEMORY CARD CONNECTORS-----	M641~M642
7 IN 1 MEMORY CARD CONNECTORS-----	M651
10 IN 1 MEMORY CARD CONNECTORS-----	M661
1.40MM~1.60MM PITCH BATTERY CONNECTORS-----	M801~M805
2.00MM~2.30MM PITCH BATTERY CONNECTORS-----	M811~M823
2.50MM PITCH BATTERY CONNECTORS-----	M831~M851
2.54MM~2.80MM PITCH BATTERY CONNECTORS-----	M861~M869
3.00MM PITCH BATTERY CONNECTORS-----	M881~M894
3.81MM~4.35MM PITCH BATTERY CONNECTORS-----	M901~M909
5.00MM~7.20MM PITCH BATTERY CONNECTORS-----	M921~M927
BATTERY CONTACT SPRING-----	M941~M942

- TECHNICAL ALTERATIONS ARE SUBJECT TO CHANGE WITHOUT NOTICE.
- ALL ARTICLES ARE RoHS & REACH/SVHC COMPLIANT.

MICRO SD (T-FLASH) 8 PIN CARD CONNECTOR NORMAL CLOSE PUSH - PUSH TYPE

SPECIFICATIONS

Withstanding Voltage: 500VAC Max With 1 Minute

Insulation R.: 1000MΩ Min

Contact R.: 100mΩ Max

Current Rating: 0.5A AC/DC Max

Rated Voltage: 100 V RMS Min

Operating Temperature: -25°C ~ +85°C

* RoHS & REACH compliant.

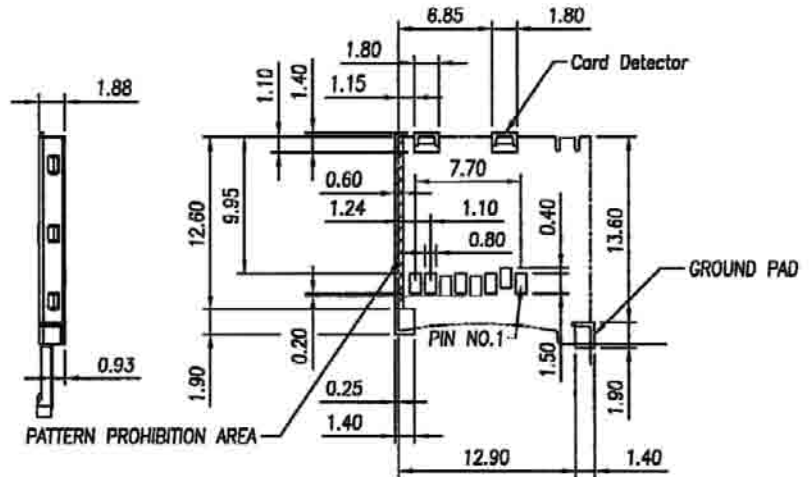
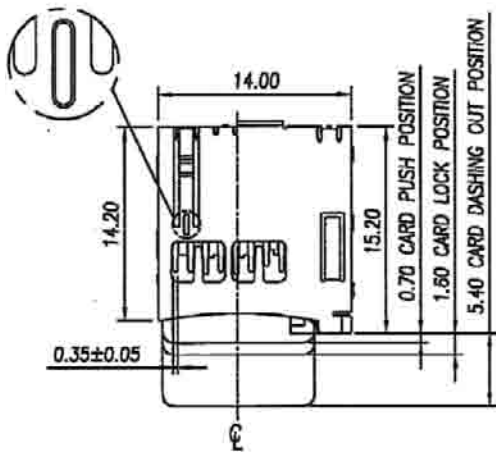
MATERIAL:

Housing: Teermoplastic UL 94V-0

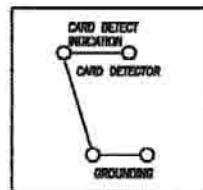
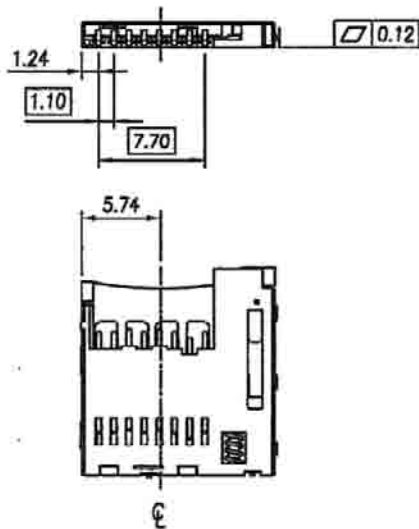
Contact: Phosphor Bronze

Tin 100u" At Solder Tail, Selected

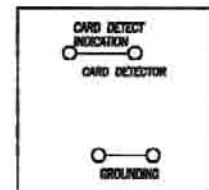
Gold On Contact Area Plating



Recommended P.C.Board Layout



WITHOUT CARD



CARD INSERTED

ORDERING INFORMATION:

P/N MCD - 610TF $\frac{X}{1}$ - $\frac{R}{2}$

1. CONTACT FINISH:

"01" GOLD FLASH

"05" 05 MICROINCH GOLD

"10" 10 MICROINCH GOLD

"15" 15 MICROINCH GOLD

2. PACKAGE OPTION:

"R" TAPE & REEL

MICRO SD (T-FLASH) 8 PIN CARD CONNECTOR HINGE TYPE

SPECIFICATIONS

Withstanding Voltage: 500VAC Max/1 Min.

Insulation R.: 1000M Ω Min

Voltage Rating: 100 Volts DC,AC(rms)100 Volts (per pin)

Current Rating: 0.5 Amperes DC (per pin)

Operating Temperature: -25 $^{\circ}$ c ~ +85 $^{\circ}$ c

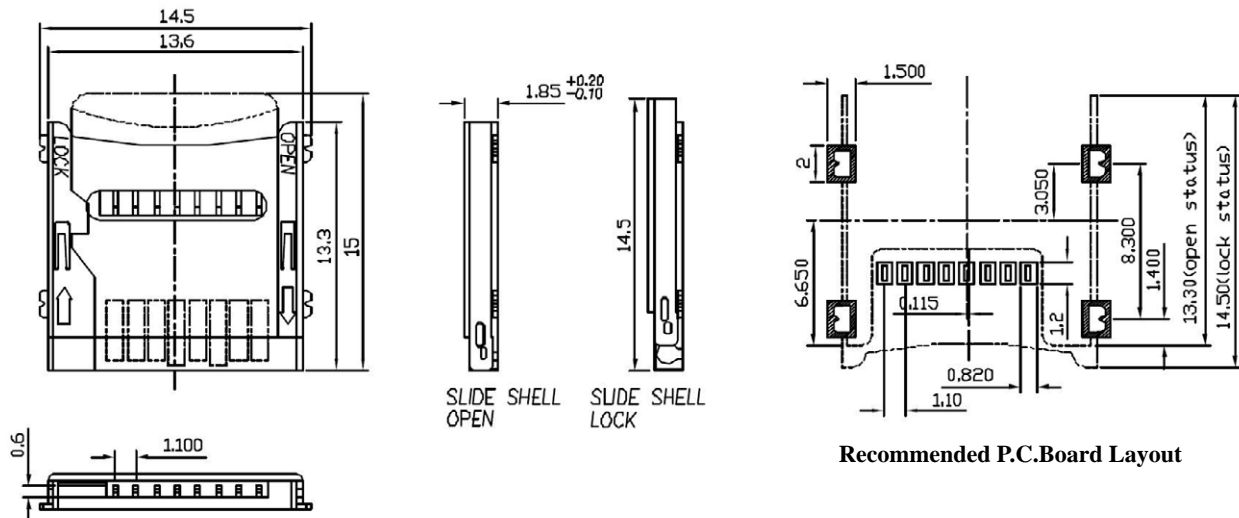
Contact Retention Force: 100 Gram(0.98N) min

Insertion Force: 15N Max

Separation Force: 15N Max

Insertion Cycles: 5000Times

* RoHS & REACH compliant.



ORDERING INFORMATION:

P/N M C D - 6 1 3 T F $\frac{X X}{1}$ - $\frac{R}{2}$

1. CONTACT FINISH:

"01" GOLD FLASH

"05" 5 MICROINCH GOLD

"10" 10 MICROINCH GOLD

"15" 15 MICROINCH GOLD

2. PACKAGE OPTION:

"R" TAPE & REEL

MICRO SD (T-FLASH) 11 PIN CARD CONNECTOR MANUAL TYPE

MATERIAL:

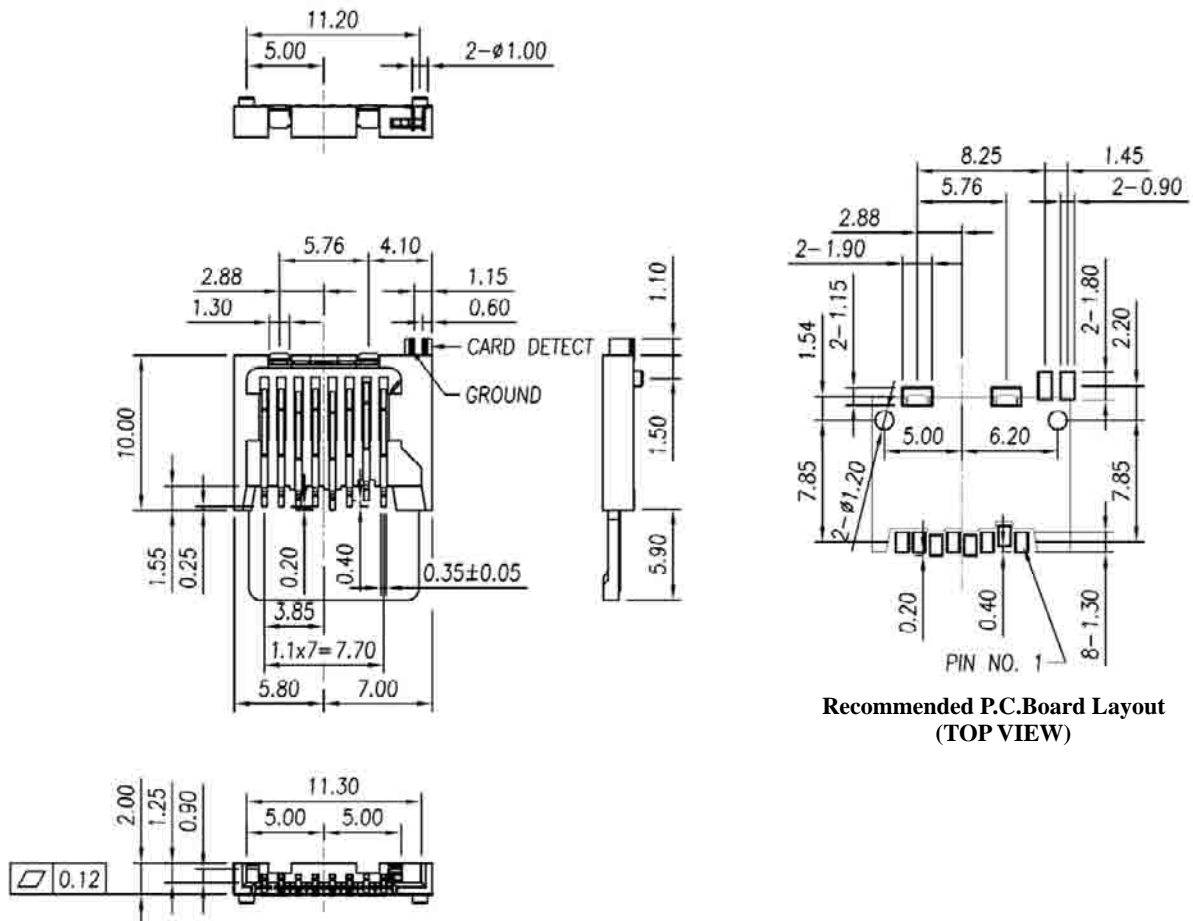
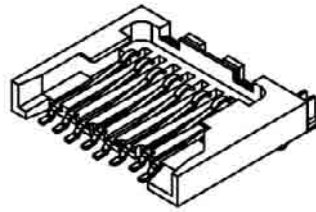
Housing: Thermoplastic UL94V-0

Color: Black

Contact: Phosphor Bronze

Tin 100u" at Solder Tail

* RoHS & REACH compliant.



Recommended P.C.Board Layout (TOP VIEW)

ORDERING INFORMATION:

P/N MCD - 6 1 4 T F $\frac{X}{1}$ - $\frac{X}{2}$

1. CONTACT FINISH:

- "01" GOLD FLASH
- "05" 5 MICROINCH GOLD
- "10" 10 MICROINCH GOLD
- "15" 15 MICROINCH GOLD

2. PACKAGE OPTION:

- "R" TAPE & REEL

MICRO SD (T-FLASH) 8 PIN CARD CONNECTOR LOW PROFILE TYPE

MATERIAL:

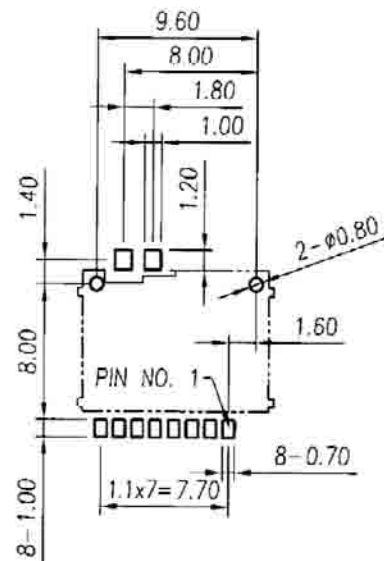
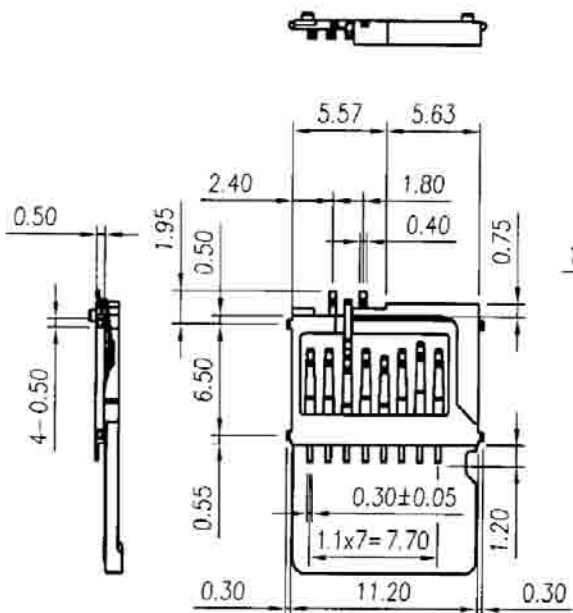
Housing: Thermoplastic UL94V-0

Color: Black

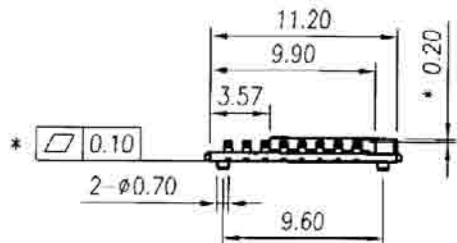
Contact: Phosphor Bronze

Tin 100u" at Solder Tail

* RoHS & REACH compliant.



Recommended P.C.Board Layout
(TOP VIEW)



ORDERING INFORMATION:

P/N M C D - 6 1 5 T F $\frac{X X}{I} - \frac{0}{2}$

1. CONTACT FINISH:

"01" GOLD FLASH

"05" 5 MICROINCH GOLD

"10" 10 MICROINCH GOLD

"15" 15 MICROINCH GOLD

2. PACKAGE OPTION:

"0" TRAY

NOTE: COMPLY TO SONY SS-00259

MICRO SD (T-FLASH) 8 PIN CARD CONNECTOR PUSH - PUSH TYPE WITH SWITCH

SPECIFICATIONS

Withstanding Voltage: 500VAC r.m.s.

Insulation R.: 1000MΩ Min

Retention Force: Min.100gf/Pin

Current Rating: 0.5 A

Contact R.: 80mΩ Max

Durability: 5000 Cycles

* RoHS & REACH compliant.

MATERIAL:

Insulator: PA9T (UL 94V-0), Black

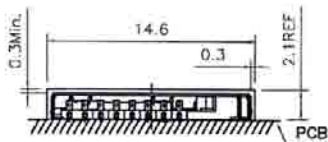
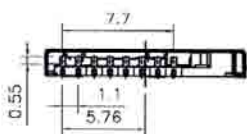
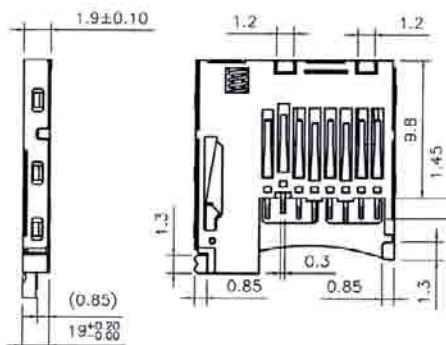
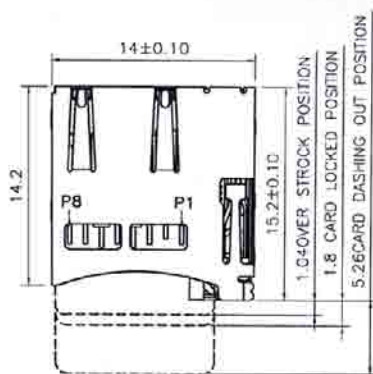
Contact: Phosphor Bronze

Shell: Stainless Steel, Nickel Plated

Contact Plated: Gold 1u" Plated Over Nickel
Plating All

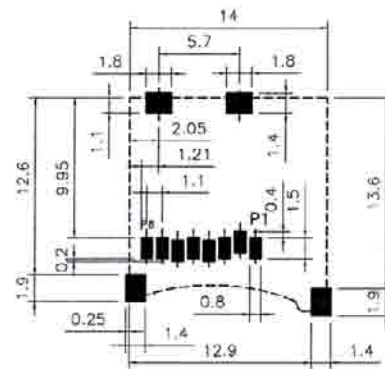
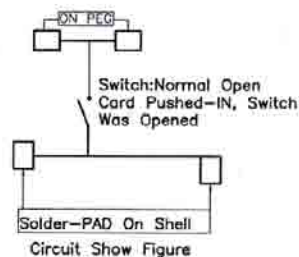
Slider: PA9T UL 94V-0 Rated

Link: Stainless Steel, Gold Plated Overall



Recommended Shell Opening Deimension

All Solder-Tail&PAD Coplanarity 0.08Max.



Recommended P.C.Board Layout

ORDERING INFORMATION:

P/N MCD-616TF $\frac{01}{1} - \frac{R}{2}$

1. CONTACT FINISH:
"01" GOLD FLASH
2. PACKAGE OPTION:
"R" TAPE & REEL

MICRO SD (T-FLASH) 8 PIN CARD CONNECTOR REVERSE MOUNT PUSH - PUSH TYPE

SPECIFICATIONS

Dielectric Withstanding: 500V AC For 1 Minute

Insulation R.: 1000MΩ Min

Current Rating: 0.5 AMP Max

Contact R.: 100mΩ Max

Operating Temperature: -20°C ~ +60°C

* RoHS & REACH compliant.

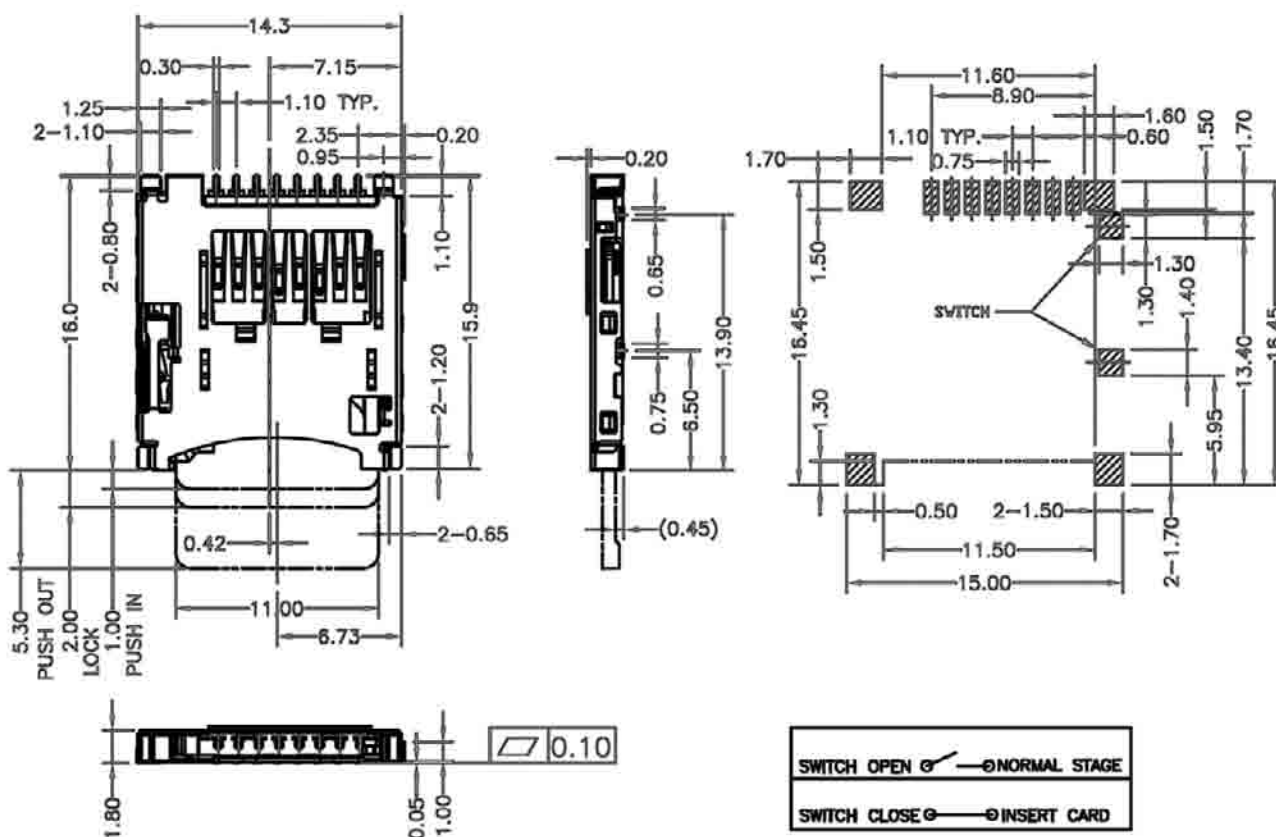
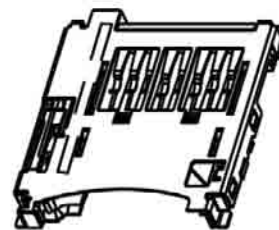
MATERIAL:

Housing: Nylon 9T (UL 94V-0), Black

Shell: Stainless Steel

Solder Pad: Stainless Steel, Gold Plated

Terminal: Phosphor Bronze



ORDERING INFORMATION:

P/N MCD-617TF₁^{XX}-R₂

1. CONTACT FINISH:

"01" GOLD FLASH

"15" 15 MICROINCH GOLD

"30" 30 MICROINCH GOLD

2. PACKAGE OPTION:

"R" TAPE & REEL

MICRO SD (T-FLASH) 9 PIN CARD CONNECTOR PUSH - PUSH TYPE WITH SWITCH

SPECIFICATIONS

Dielectric Withstanding: 500V AC For 1 Minute

Insulation R.: 1000MΩ Min

Current Rating: 0.5 AMP Max

Contact R.: 100mΩ Max

Operating Temperature: -20°C ~ +60°C

* RoHS & REACH compliant.

MATERIAL:

Housing: HI-TEMP, Plastic (UL 94V-0)

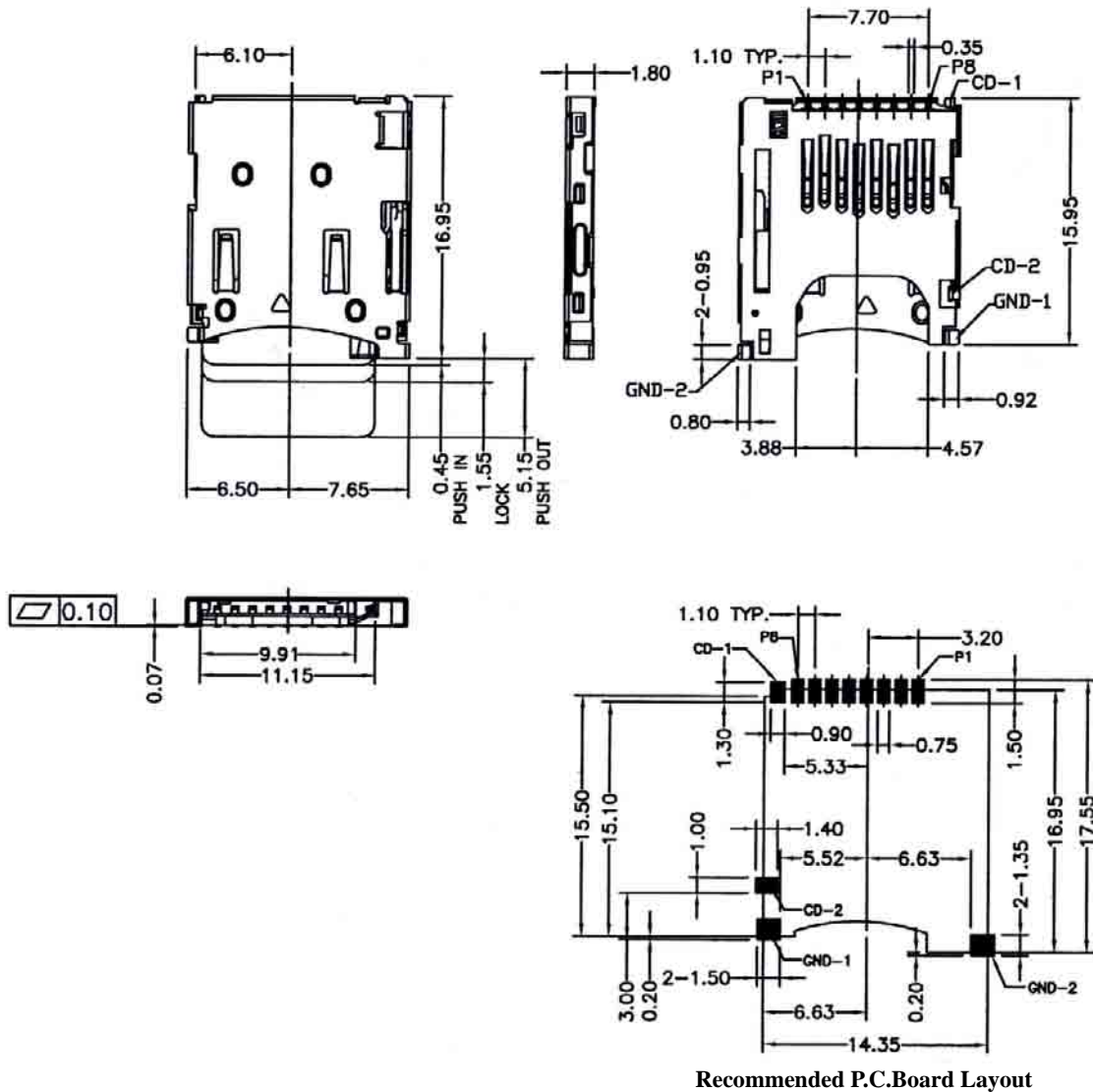
Shell: Stainless Steel

Solder Pad: Stainless Steel, Gold Plated

Terminal: Copper Alloy, Gold Plating On

Contact Area, Tin Plating On Solder

Tail



ORDERING INFORMATION:

P/N M C D - 6 1 8 T F $\frac{XX}{1}$ - $\frac{R}{2}$

1. CONTACT FINISH:

"01" GOLD FLASH

"05" 5 MICROINCH GOLD

"10" 10 MICROINCH GOLD

"15" 15 MICROINCH GOLD

"30" 30 MICROINCH GOLD

2. PACKAGE OPTION:

"R" TAPE & REEL

MICRO SD (T-FLASH) 8 PIN CARD CONNECTOR HINGE TYPE

SPECIFICATIONS

Dielectric Withstanding: 500V AC For 1 Minute

Insulation R.: 1000MΩ Min

Current Rating: 0.5 AMP Max

Contact R.: 80mΩ Max

Operating Temperature: -20°C ~ +60°C

* RoHS & REACH compliant.

MATERIAL:

Housing: HI-TEMP, Plastic (UL 94V-0), Black

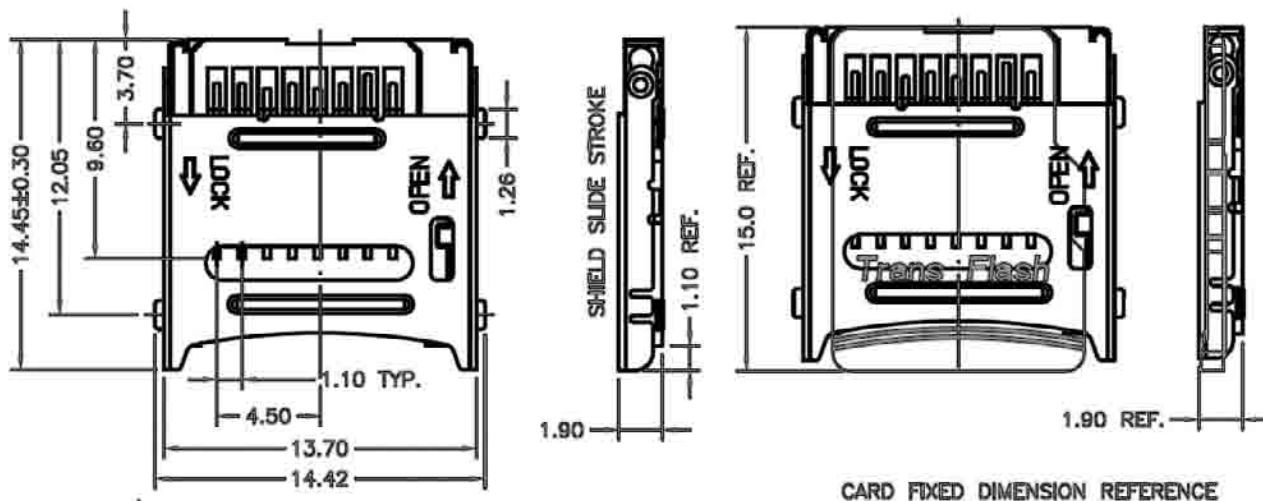
Shell: Stainless Steel

Pad: Stainless Steel, Tin Plated

Terminal: Copper Alloy, Gold Plated On

Contact Area, Tin Plated On Solder

Tail



Recommended P.C.Board Layout

ORDERING INFORMATION:

P/N MCD-619TF₁^X-R₂

1. CONTACT FINISH:

"01" GOLD FLASH

"15" 15 MICROINCH GOLD

"30" 30 MICROINCH GOLD

2. PACKAGE OPTION:

"R" TAPE & REEL

MICRO SD (T-FLASH) 8 PIN CARD CONNECTOR PUSH - PUSH TYPE

SPECIFICATIONS

Dielectric Withstanding: 500V AC For 1 Minute

Insulation R.: 1000MΩ Min At DC 500V

Current Rating: 0.5 AMP Max

Contact R.: 100mΩ Max

Operating Temperature: -20°C ~ +60°C

* RoHS & REACH compliant.

MATERIAL:

Housing: HI-TEMP, Plastic (UL 94V-0)

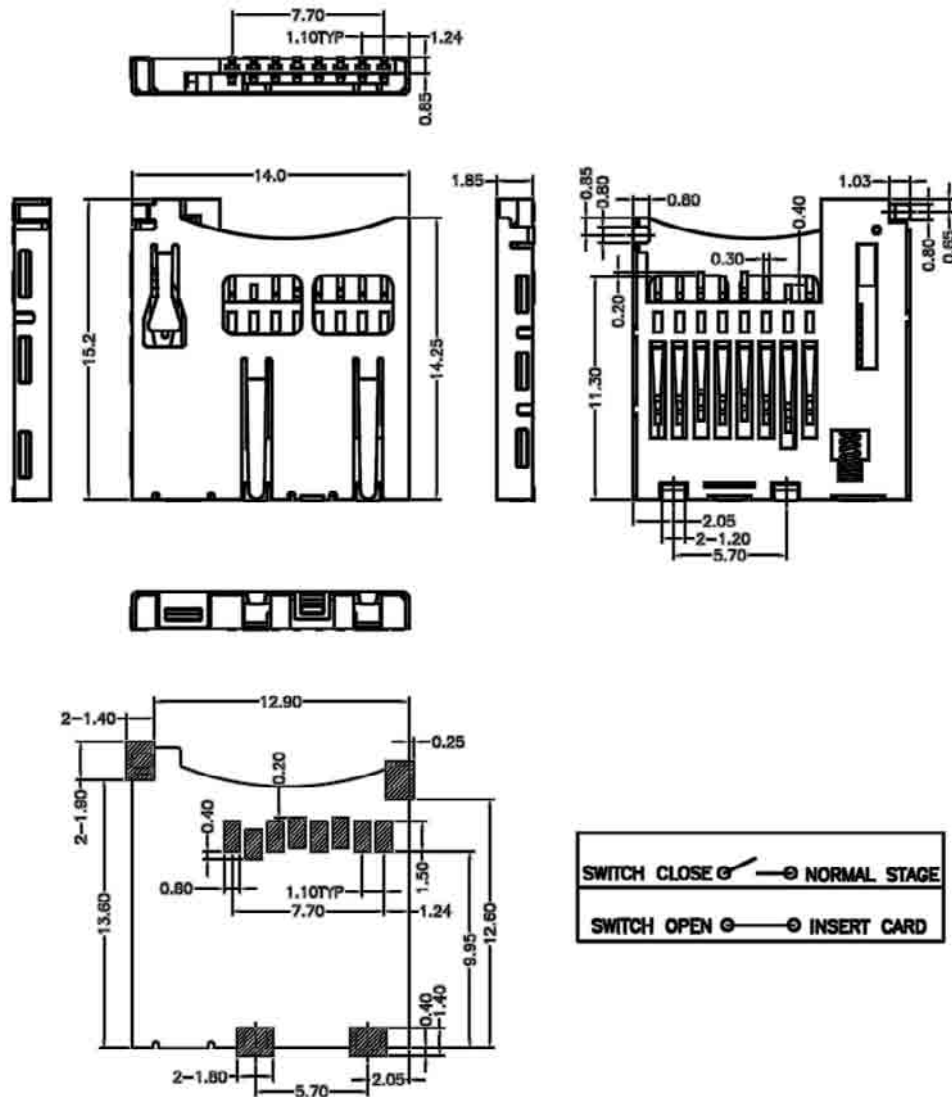
Shell: Stainless Steel, Nickel Plating.

Solder Pad: Copper Alloy, Tin Plating

Terminal: Copper Alloy, Gold Plating On

Contact Area, Tin Plating On Solder

Tail



Recommended P.C.Board Layout

ORDERING INFORMATION:

P/N M C D - 6 C 1 T F $\frac{X}{1}$ $\frac{X}{2}$ - R

1. CONTACT FINISH:

"01" GOLD FLASH

"15" 15 MICROINCH GOLD

"30" 30 MICROINCH GOLD

2. PACKAGE OPTION:

"R" TAPE & REEL

MICRO SD (T-FLASH) 8 PIN CARD CONNECTOR PUSH - PUSH TYPE

SPECIFICATIONS

Dielectric Withstanding: 500V AC For 1 Minute

Insulation R.: 1000MΩ Min At DC 500V

Current Rating: 0.5 AMP Max

Contact R.: 100mΩ Max

Operating Temperature: -20°C ~ +60°C

* RoHS & REACH compliant.

MATERIAL:

Housing: HI-TEMP, Plastic (UL 94V-0), Black

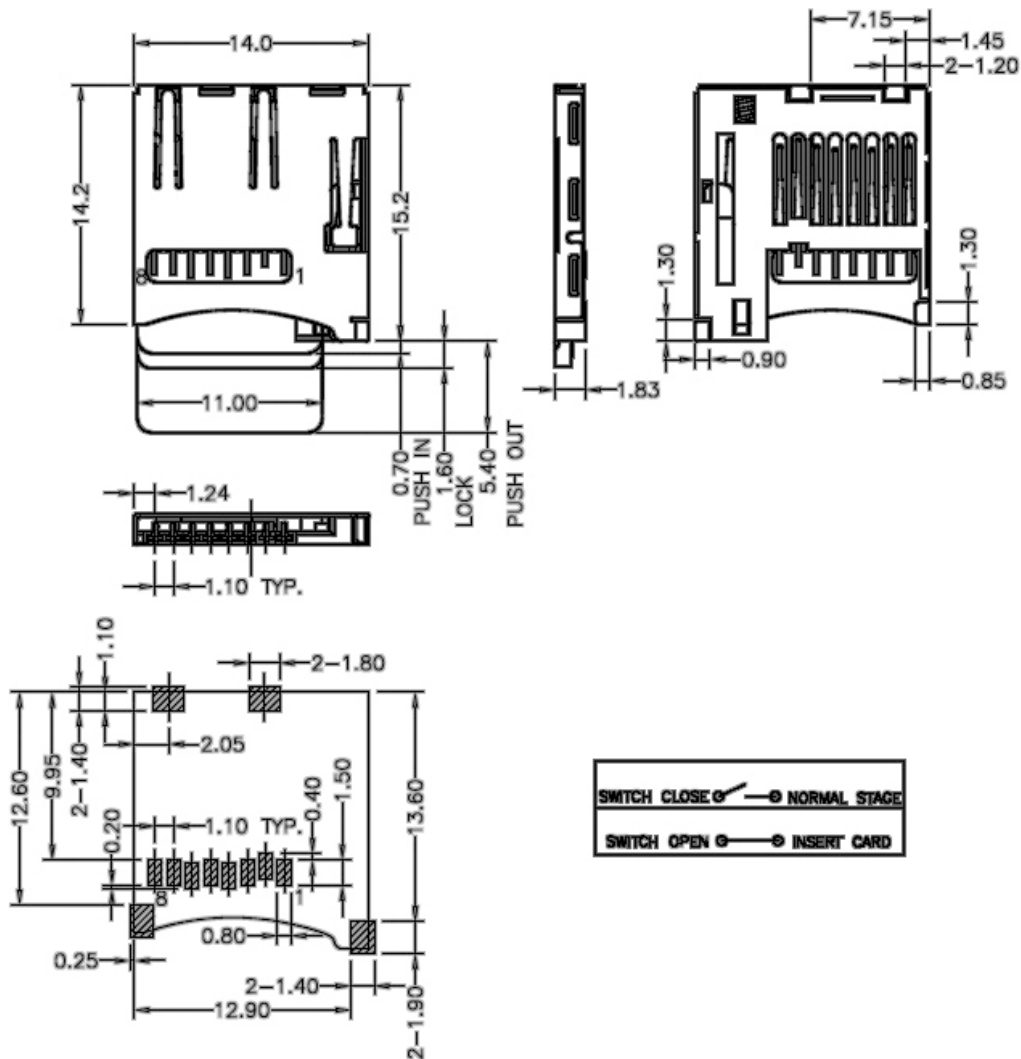
Shell: Stainless Steel, Nickel Plating.

Pad: Copper Alloy, Gold Plating

Spring: Swp

Terminal: Copper Alloy, Gold Plating On

Contact Area, Tin Plating On Solder Tail



Recommended P.C.Board Layout

ORDERING INFORMATION:

P/N M C D - 6 C 2 T F $\frac{X}{1}$ $\frac{X}{2}$ - R

1. CONTACT FINISH:

"01" GOLD FLASH

"15" 15 MICROINCH GOLD

"30" 30 MICROINCH GOLD

2. PACKAGE OPTION:

"R" TAPE & REEL

MICRO SD (T-FLASH) TO SD 8 PIN ADAPTER

SPECIFICATIONS

Dielectric Withstanding: 500V AC For 1 Minute

Current Rating: 0.5 AMP Max

Contact R.: 40mΩ Max

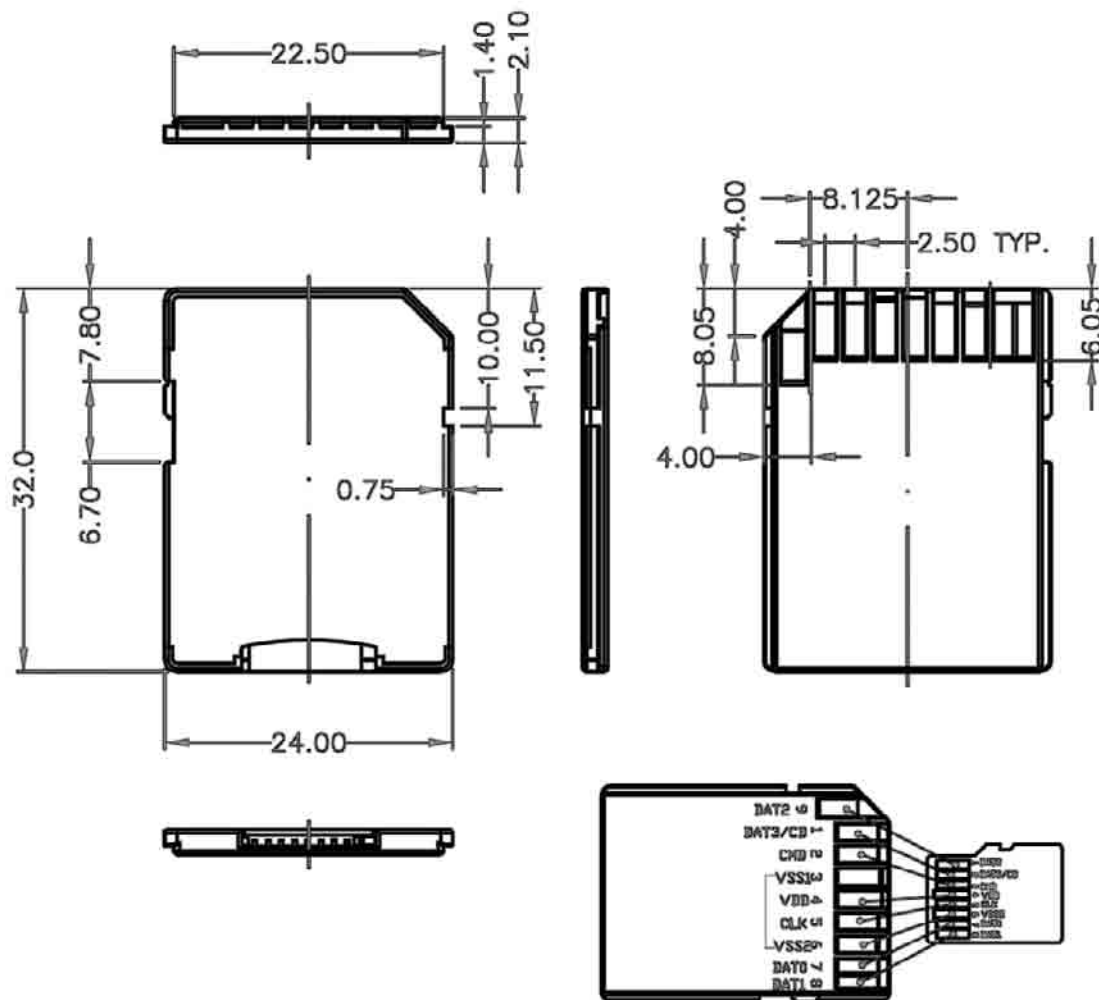
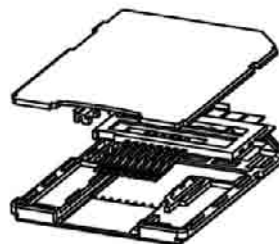
* RoHS & REACH compliant.

MATERIAL:

Housing: LCP (UL 94V-0)

Switch: Thermoplastic (UL 94V-0)

Terminal: Copper Alloy, Gold Plated



ORDERING INFORMATION:

P/N M C D - 6 C 3 T F $\frac{X}{1} \frac{X}{2}$ - 0

1. CONTACT FINISH:

"01" GOLD FLASH

"10" 10 MICROINCH GOLD

"30" 30 MICROINCH GOLD

2. PACKAGE OPTION:

"0" BAG

MICRO SD (T-FLASH) TO MINI SD 11 PIN ADAPTER

SPECIFICATIONS

Dielectric Withstanding: 500V AC For 1 Minute

Current Rating: 0.5 AMP Max

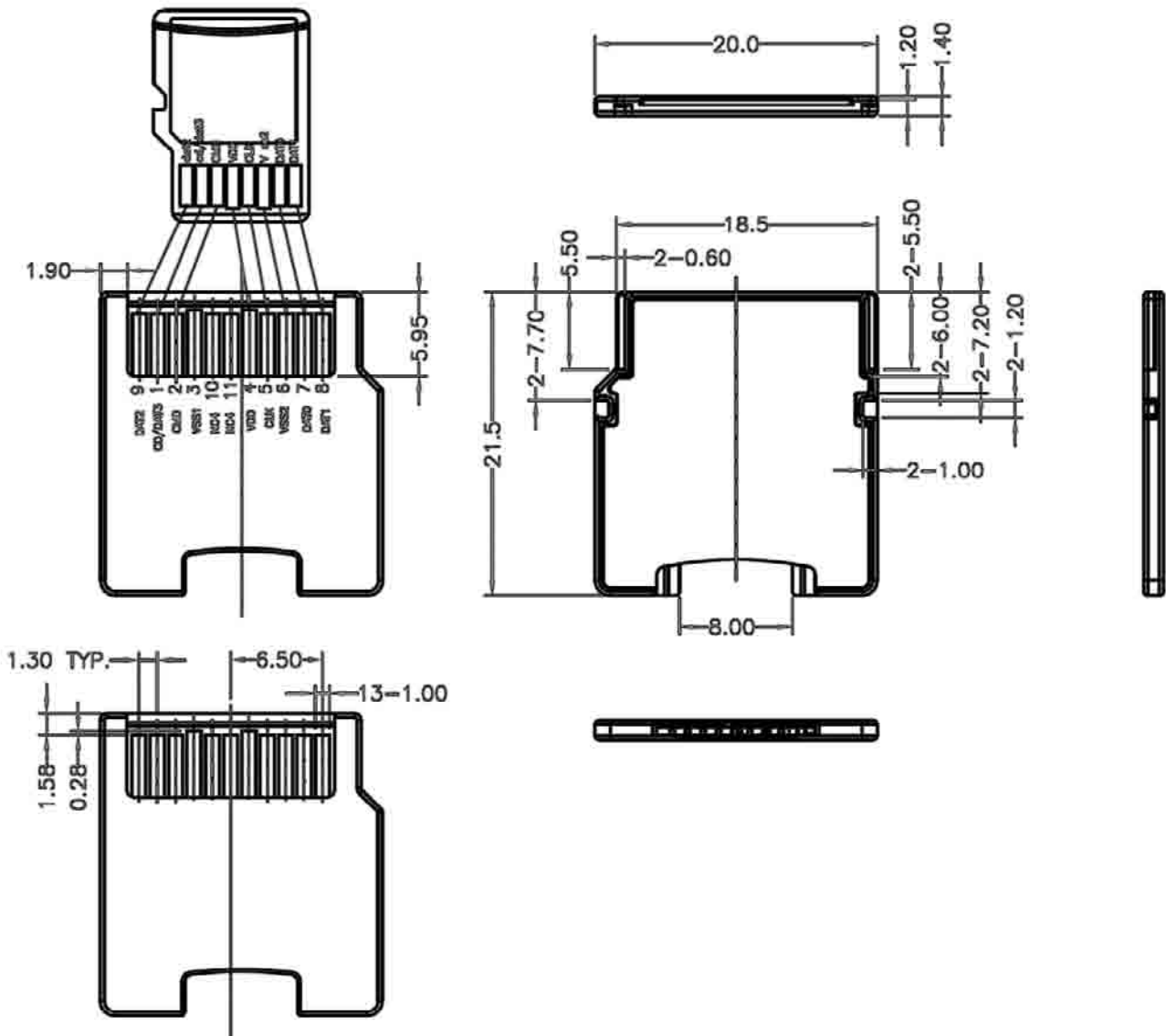
Contact R.: 40mΩ Max

* RoHS & REACH compliant.

MATERIAL:

Housing: Thermoplastic (UL 94V-0)

Terminal: Copper Alloy, Gold Plated



ORDERING INFORMATION:

P/N MCD-6C4TF $\frac{XX}{1}$ - $\frac{0}{2}$

1. CONTACT FINISH:

"01" GOLD FLASH

"10" 10 MICROINCH GOLD

"15" 15 MICROINCH GOLD

"30" 30 MICROINCH GOLD

2. PACKAGE OPTION:

"0" TRAY

MICRO SD (T-FLASH) 9 PIN CARD CONNECTOR PUSH - PUSH TYPE WITH SWITCH

SPECIFICATIONS

Dielectric Withstanding: 500V AC For 1 Minute

Current Rating: 0.5 AMP Max

Contact R.: 40mΩ Max

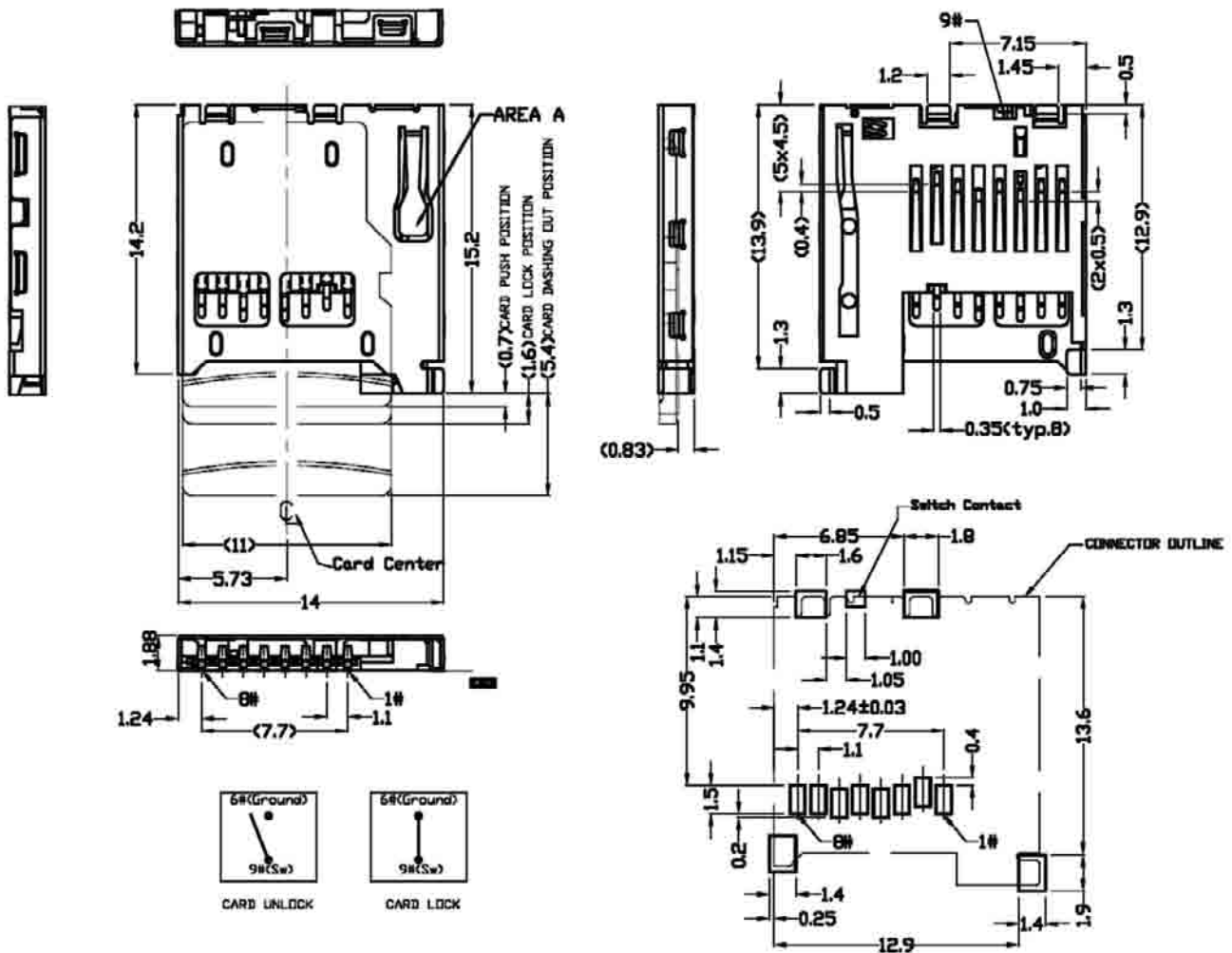
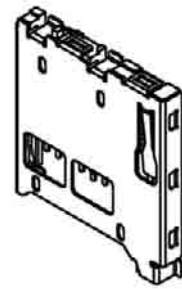
* RoHS & REACH compliant.

MATERIAL:

Housing: High Temp. Thermoplastic (UL 94V-0)

Shell: Stainless Steel

Contact: Copper Alloy



ORDERING INFORMATION:

P/N MCD-6C5TF₁^XX₂

- CONTACT FINISH:
 - "01" GOLD FLASH
 - "03" 3 MICROINCH GOLD
 - "05" 5 MICROINCH GOLD
 - "15" 15 MICROINCH GOLD
- PACKAGE OPTION:
 - "R" TAPE & REEL

MICRO SD (T-FLASH) 12 PIN CARD CONNECTOR PUSH - PUSH TYPE WITH SWITCH

SPECIFICATIONS

Insulation Resistance: 250V DC or 300V AC For 1 Minute

Current Rating: 0.5 AMP Max

Contact R.: 100mΩ Max

Mating Durability: 10000 cycles

Insertion Force: 2.0Kgf Max.

Extraction Force: 0.5Kgf Min.

Operating Temperature: -25°C ~ +85°C

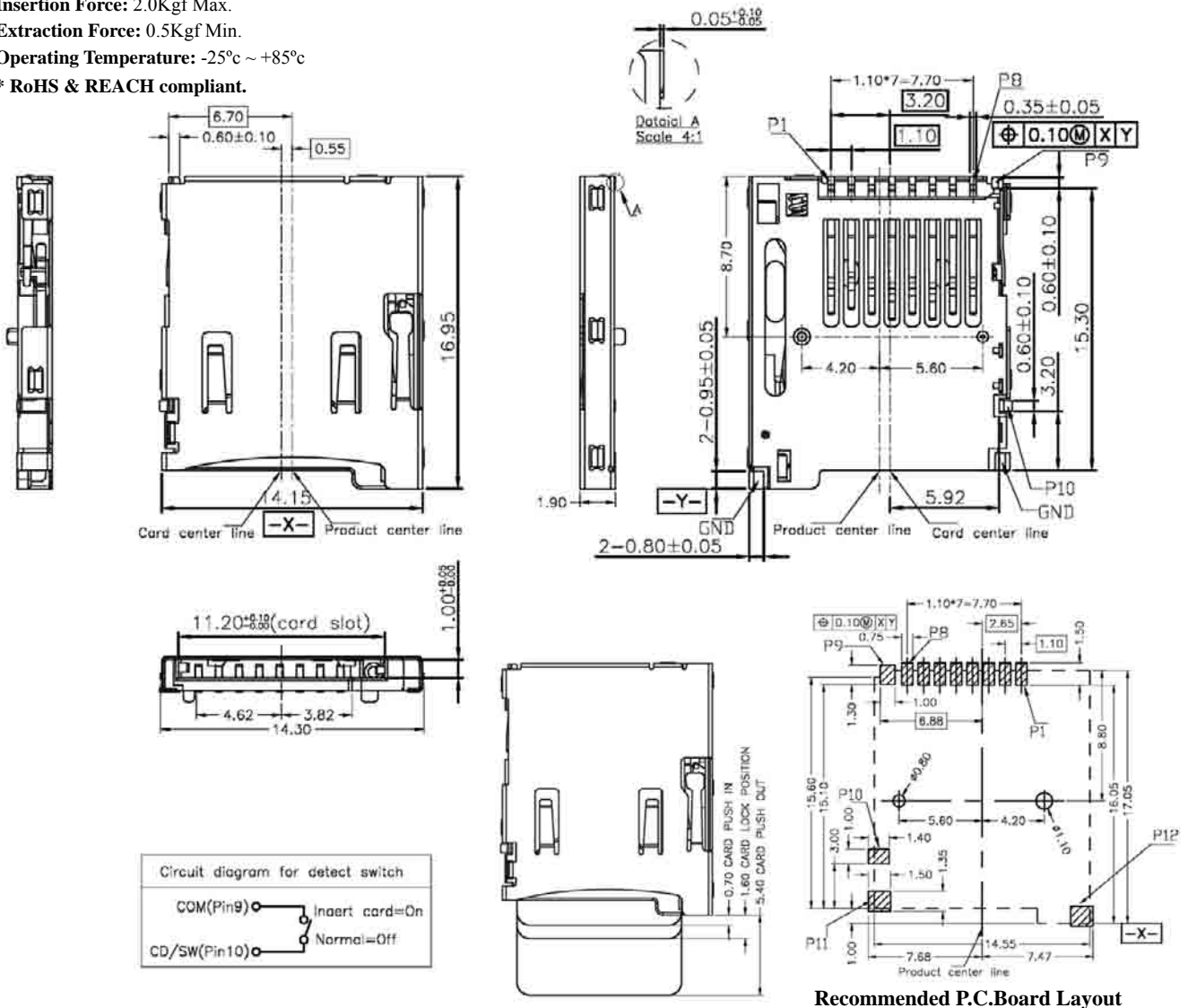
* RoHS & REACH compliant.

MATERIAL:

Housing: High Temp. Thermoplastic (UL 94V-0)

Shell: Stainless Steel

Contact: Copper Alloy



ORDERING INFORMATION:

P/N M C D - 6 C 6 T F $\frac{X}{1}$ $\frac{X}{2}$ - R

- CONTACT FINISH:
 "01" GOLD FLASH
 "05" 5 MICROINCH GOLD
 "10" 10 MICROINCH GOLD
- PACKAGE OPTION:
 "R" TAPE & REEL

MICRO SD (T-FLASH) 8 PIN CARD CONNECTOR HINGE TYPE

SPECIFICATIONS

Insulation Resistance: 250V DC or 300V AC For 1 Minute

Current Rating: 0.5 AMP Max

Contact R.: 100mΩ Max

Mating Durability: 10000 cycles

Insertion Force: 2.0Kgf Max.

Extraction Force: 0.5Kgf Min.

Operating Temperature: -25°C ~ +85°C

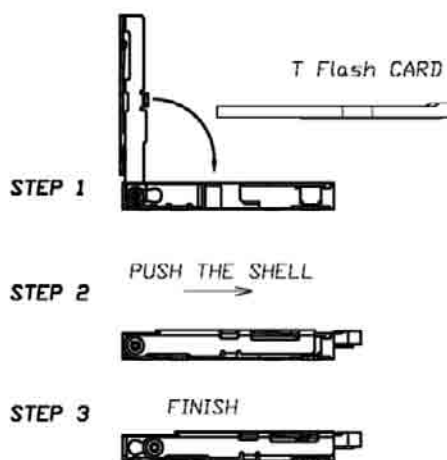
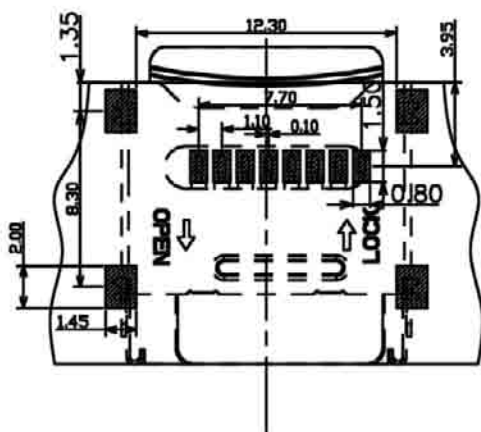
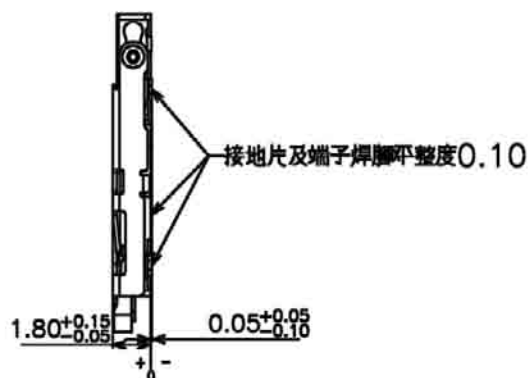
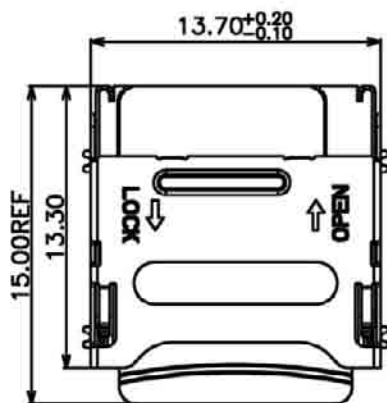
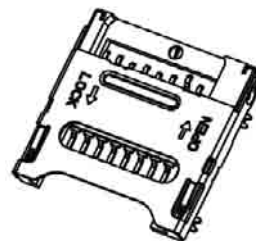
* RoHS & REACH compliant.

MATERIAL:

Housing: High Temp. Thermoplastic (UL 94V-0)

Shell: Stainless Steel

Contact: Copper Alloy



ASSEMBLY CARD FLOW CHART

ORDERING INFORMATION:

P/N M C D - 6 C 7 T F $\frac{X}{1} \frac{X}{2}$ - R

1. CONTACT FINISH:
"01" GOLD FLASH
"15" 15 MICROINCH GOLD
2. PACKAGE OPTION:
"R" TAPE & REEL

MICRO SD (T-FLASH) 8 PIN CARD CONNECTOR

SPECIFICATIONS

Insulation Resistance: 250V DC or 300V AC For 1 Minute

Current Rating: 0.5 AMP Max

Contact R.: 100mΩ Max

Mating Durability: 10000 cycles

Insertion Force: 2.0Kgf Max.

Extraction Force: 0.5Kgf Min.

Operating Temperature: -25°C ~ +85°C

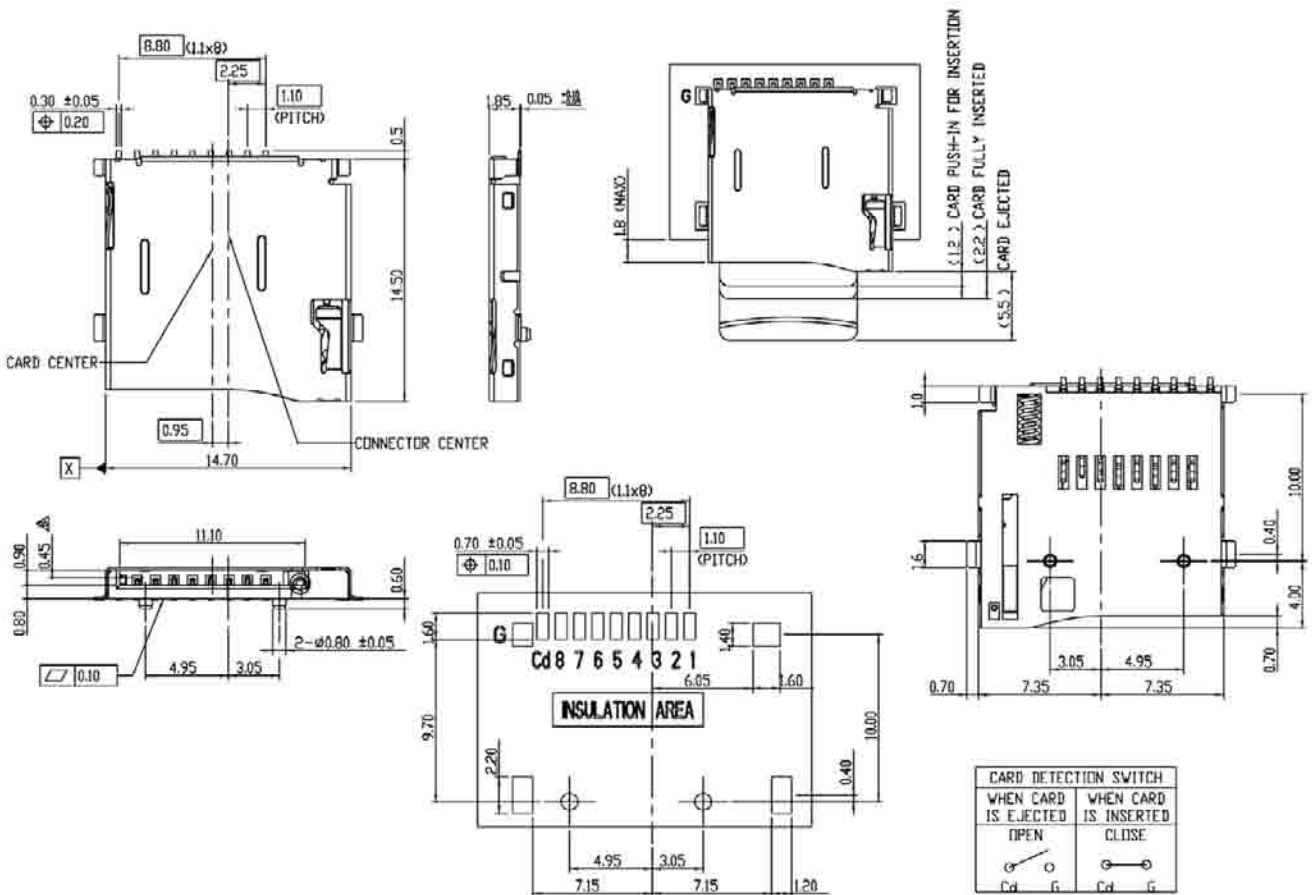
* RoHS & REACH compliant.

MATERIAL:

Housing: High Temp. Thermoplastic (UL 94V-0)

Shell: Stainless Steel

Contact: Copper Alloy



Recommended P.C.Board Layout

ORDERING INFORMATION:

P/N MCD - 6 C 8 T F $\frac{X}{1}$ - $\frac{R}{2}$

1. CONTACT FINISH:
 "01" GOLD FLASH
 "05" 5 MICROINCH GOLD
 "10" 10 MICROINCH GOLD
2. PACKAGE OPTION:
 "R" TAPE & REEL

MICRO SD (T-FLASH) 8 PIN CARD CONNECTORS H=1.29MM

SPECIFICATIONS

Insulation Resistance: 250V DC or 300V AC For 1 Minute

Current Rating: 0.5 AMP Max

Contact R.: 100mΩ Max

Mating Durability: 10000 cycles

Insertion Force: 2.0Kgf Max.

Extraction Force: 0.5Kgf Min.

Operating Temperature: -25°C ~ +85°C

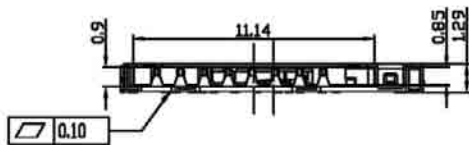
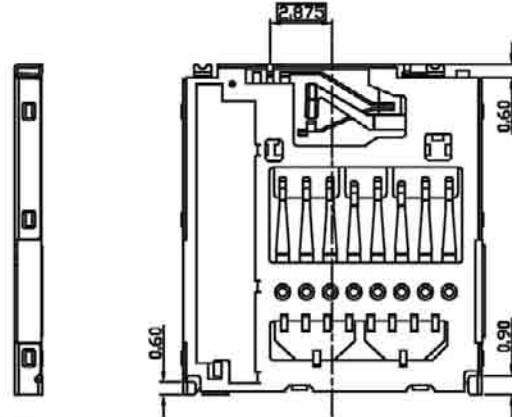
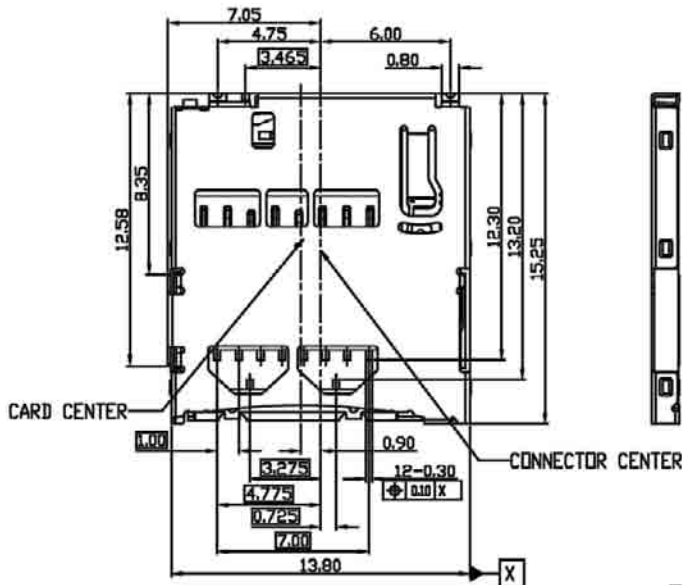
* RoHS & REACH compliant.

MATERIAL:

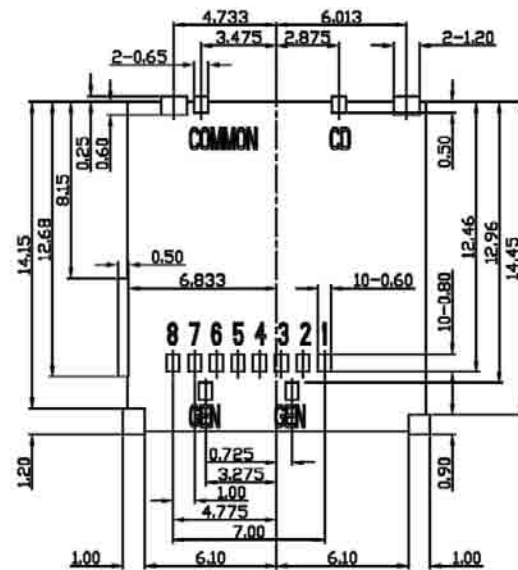
Housing: High Temp. Thermoplastic (UL 94V-0)

Shell: Stainless Steel

Contact: Copper Alloy



CARD DETECTION SWITCH	
WHEN CARD IS EJECTED	WHEN CARD IS INSERTED
OPEN	CLOSE
COMMON CD	COMMON CD



ORDERING INFORMATION:

P/N MCD-6C9TF $\frac{01}{1}$ -R $\frac{2}{2}$

- CONTACT FINISH:
"01" GOLD FLASH
- PACKAGE OPTION:
"R" TAPE & REEL

MICRO SD (T-FLASH) 8 PIN CARD CONNECTOR HINGE TYPE

SPECIFICATIONS

Insulation Resistance: 250V DC or 300V AC For 1 Minute

Current Rating: 0.5 AMP Max

Contact R.: 100mΩ Max

Mating Durability: 10000 cycles

Insertion Force: 2.0Kgf Max.

Extraction Force: 0.5Kgf Min.

Operating Temperature: -25°C ~ +85°C

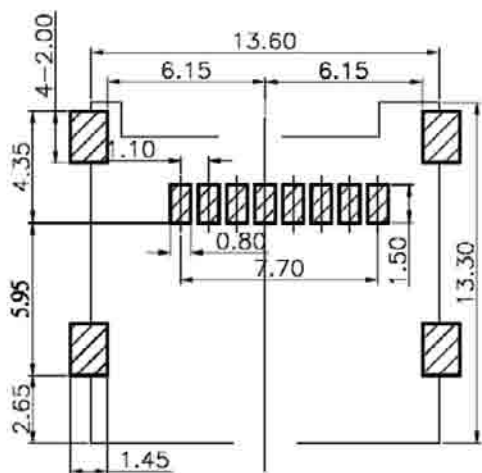
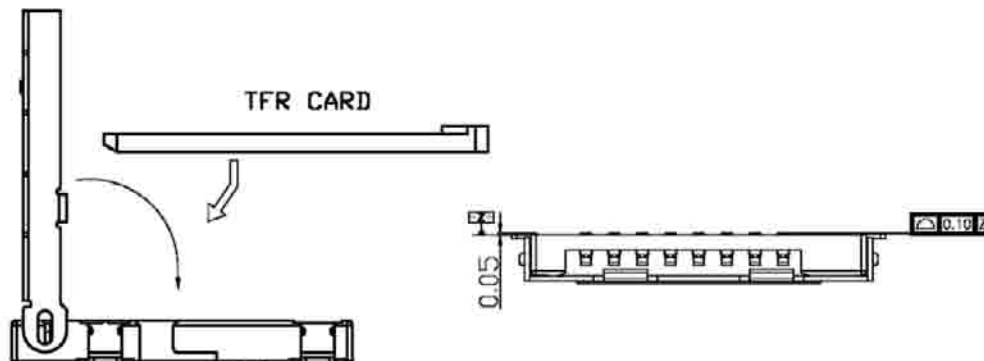
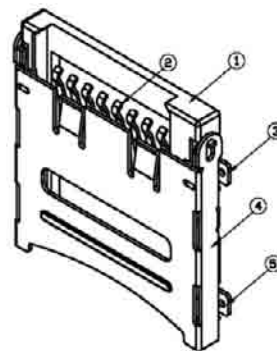
* RoHS & REACH compliant.

MATERIAL:

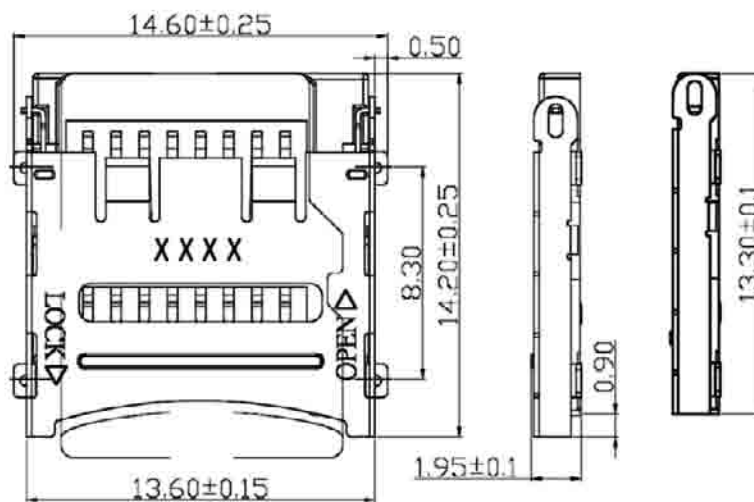
Housing: High Temp. Thermoplastic (UL 94V-0)

Shell: Stainless Steel

Contact: Copper Alloy



Recommended P.C.Board Layout



ORDERING INFORMATION:

P/N M C D - 6 D 1 T F $\frac{X}{1}$ $\frac{X}{2}$ - R

- CONTACT FINISH:
"03" 3 MICROINCH GOLD
"10" 10 MICROINCH GOLD
- PACKAGE OPTION:
"R" TAPE & REEL

MICRO SD (T-FLASH) 8 PIN CARD CONNECTOR HINGE TYPE

SPECIFICATIONS

Insulation Resistance: 250V DC or 300V AC For 1 Minute

Current Rating: 0.5 AMP Max

Contact R.: 100mΩ Max

Mating Durability: 10000 cycles

Insertion Force: 2.0Kgf Max.

Extraction Force: 0.5Kgf Min.

Operating Temperature: -25°C ~ +85°C

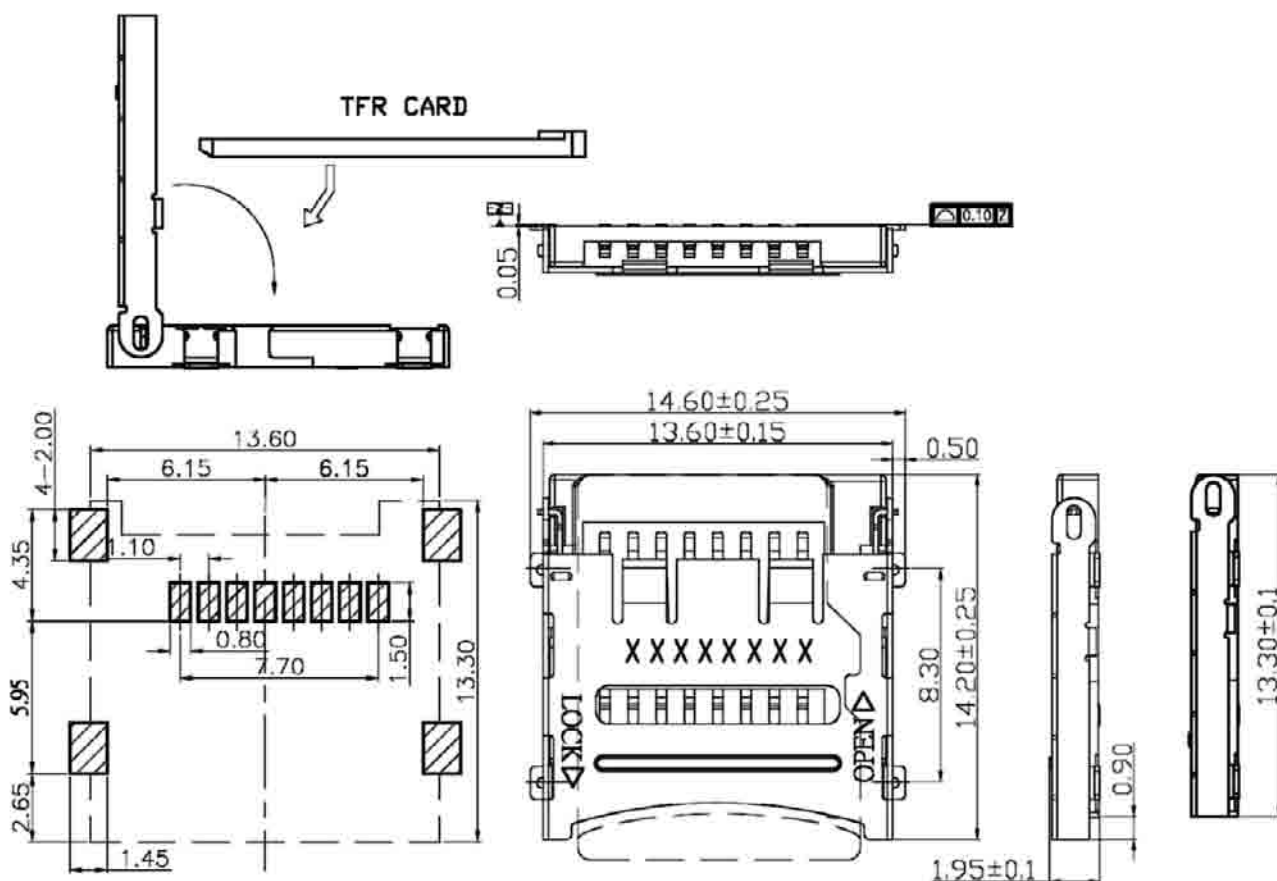
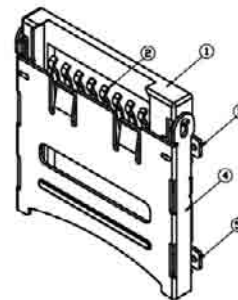
* RoHS & REACH compliant.

MATERIAL:

Housing: High Temp. Thermoplastic (UL 94V-0)

Shell: Stainless Steel

Contact: Copper Alloy



Recommended P.C.Board Layout

ORDERING INFORMATION:

P/N M C D - 6 D 2 T F $\frac{X}{1}$ $\frac{X}{2}$ - R

1. CONTACT FINISH:
"03" 3 MICROINCH GOLD
"10" 10 MICROINCH GOLD
2. PACKAGE OPTION:
"R" TAPE & REEL

MICRO SD (T-FLASH) 8 PIN CARD CONNECTOR PUSH - PUSH TYPE

SPECIFICATIONS

Withstanding Voltage: 500VAC Max With 1 Minute

Insulation R.: 1000MΩ Min

Contact R.: 100mΩ Max

Current Rating: 0.5A AC/DC Max

Rated Voltage: 100 V RMS Min

Operating Temperature: -25°C ~ +85°C

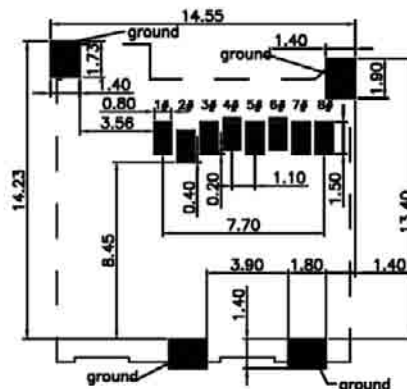
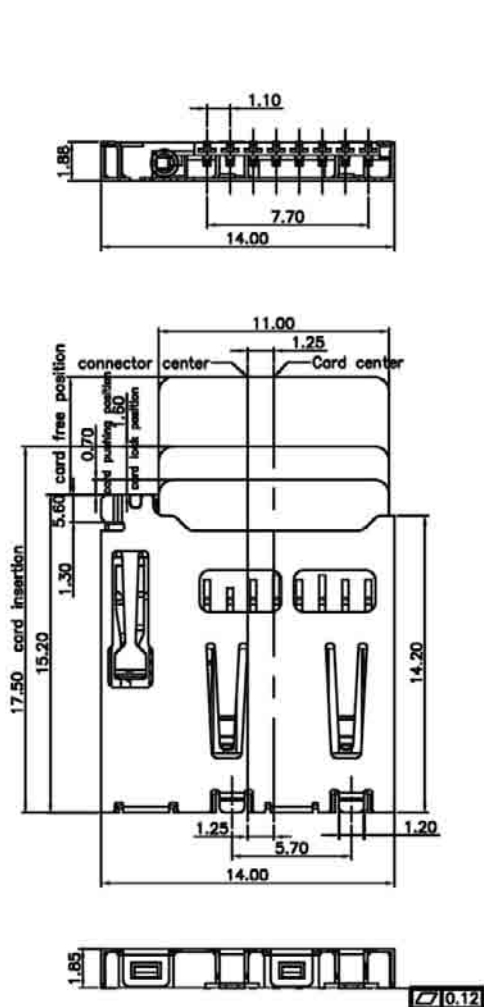
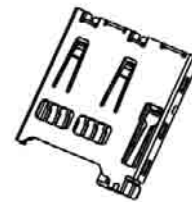
* RoHS & REACH compliant.

MATERIAL:

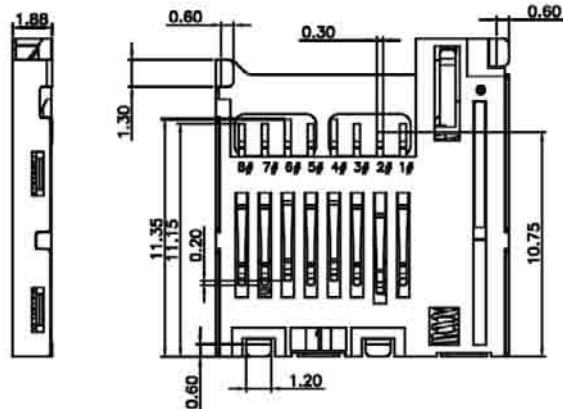
Housing: LCP

Contact: Phosphor Bronze

Tin 160u" At Solder Tail, Selected Gold On Contact Area Plating



Recommended P.C. Board Layout



ORDERING INFORMATION:

P/N M C D - 6 D 3 T F $\frac{X X}{1 2}$ - R

1. CONTACT FINISH:
"01" GOLD FLASH
"10" 10 MICROINCH GOLD
2. PACKAGE OPTION:
"R" TAPE & REEL

MICRO SD (T-FLASH) 9 PIN CARD CONNECTOR PUSH - PUSH TYPE WITH SWITCH

SPECIFICATIONS

Withstanding Voltage: 500VAC Max With 1 Minute

Insulation R.: 1000MΩ Min

Contact R.: 100mΩ Max

Current Rating: 0.5A AC/DC Max

Rated Voltage: 100 V RMS Min

Operating Temperature: -25°C ~ +85°C

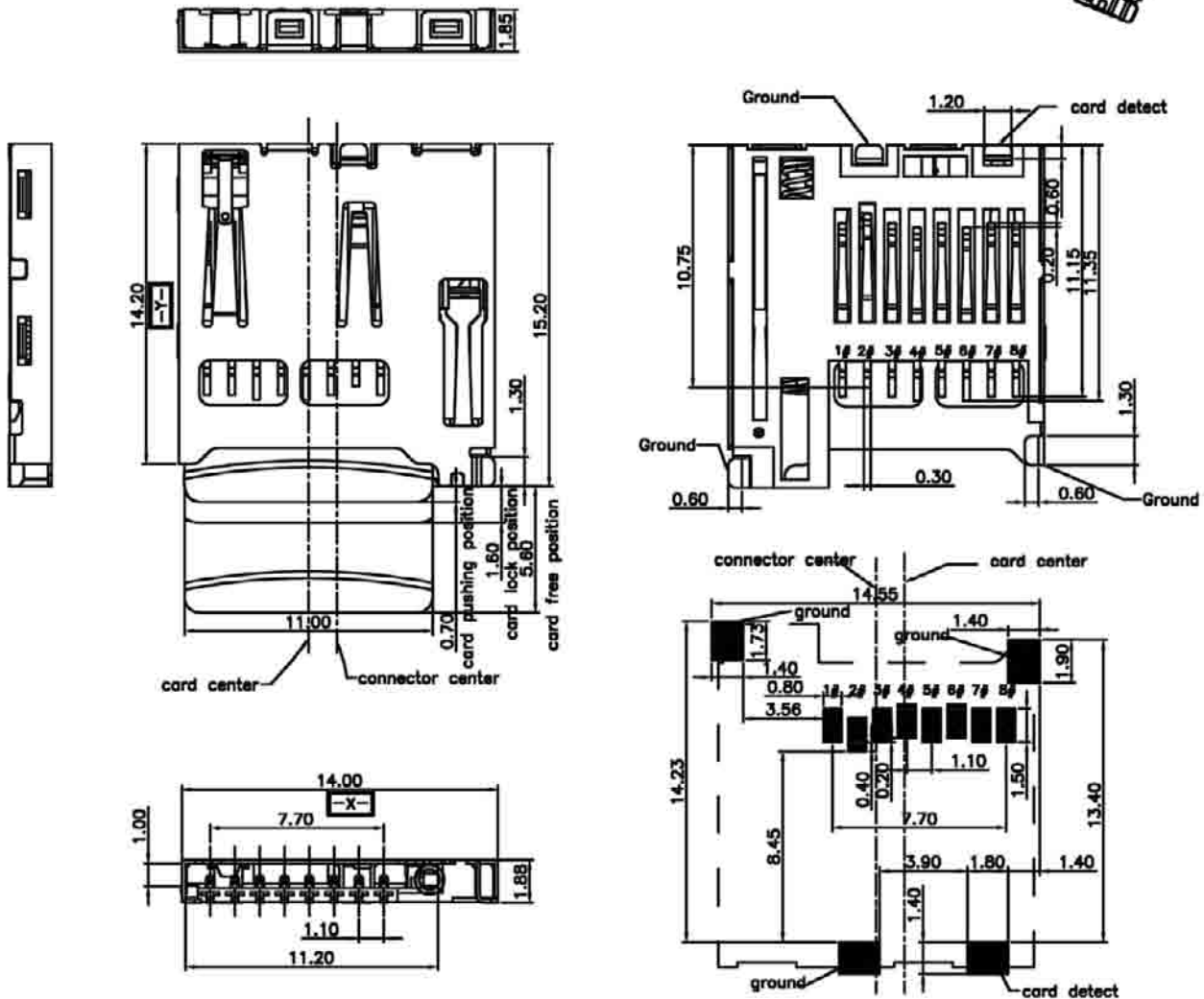
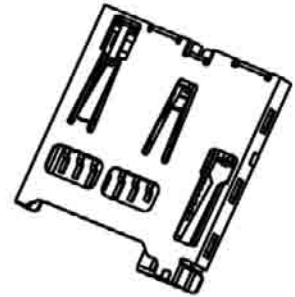
* RoHS & REACH compliant.

MATERIAL:

Housing: LCP

Contact: Phosphor Bronze

Tin 160u" At Solder Tail, Selected Gold On Con
Area Plating



ORDERING INFORMATION:

P/N M C D - 6 D 4 T F $\frac{X}{1}$ $\frac{X}{2}$ - R

1. CONTACT FINISH:
"01" GOLD FLASH
"10" 10 MICROINCH GOLD
2. PACKAGE OPTION:
"R" TAPE & REEL

MICRO SD (T-FLASH) 8 PIN CARD CONNECTOR TYPE 5

SPECIFICATIONS

Withstanding Voltage: 500VAC Max With 1 Minute

Insulation R.: 1000MΩ Min

Contact R.: 100mΩ Max

Current Rating: 0.5A AC/DC Max

Rated Voltage: 100 V RMS Min

Operating Temperature: -25°C ~ +85°C

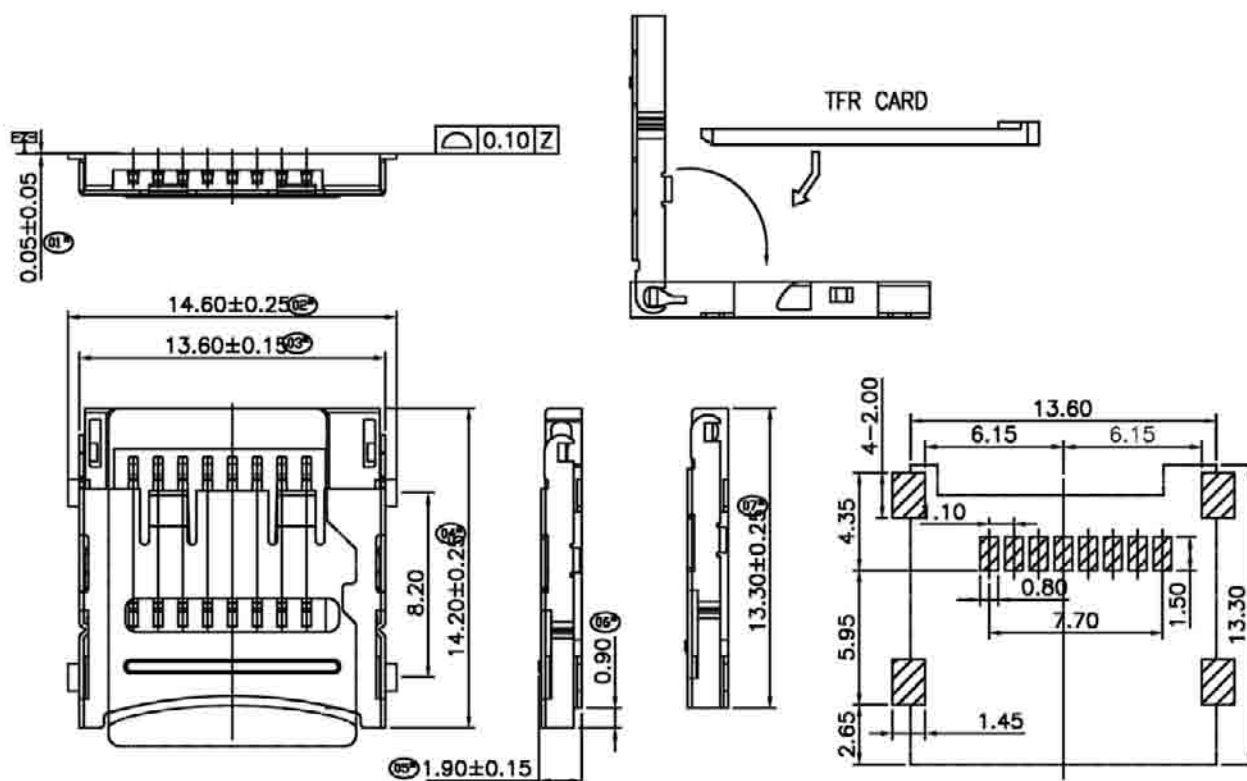
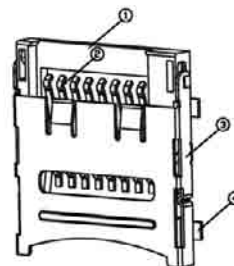
* RoHS & REACH compliant.

MATERIAL:

Housing: LCP

Contact: Phosphor Bronze

Tin 160u" At Solder Tail, Selected Gold On Contact Area Plating



Recommended P.C.Board Layout

ORDERING INFORMATION:

P/N M C D - 6 D 5 T F $\frac{X}{1}$ $\frac{X}{2}$ - R

1. CONTACT FINISH:

"03" 3 MICROINCH GOLD

"15" 15 MICROINCH GOLD

"30" 30 MICROINCH GOLD

2. PACKAGE OPTION:

"R" TAPE & REEL

MICRO SD (T-FLASH) 8 PIN CARD CONNECTOR TYPE 4

SPECIFICATIONS

Withstanding Voltage: 500VAC Max With 1 Minute

Insulation R.: 1000MΩ Min

Contact R.: 100mΩ Max

Current Rating: 0.5A AC/DC Max

Rated Voltage: 100 V RMS Min

Operating Temperature: -25°C ~ +85°C

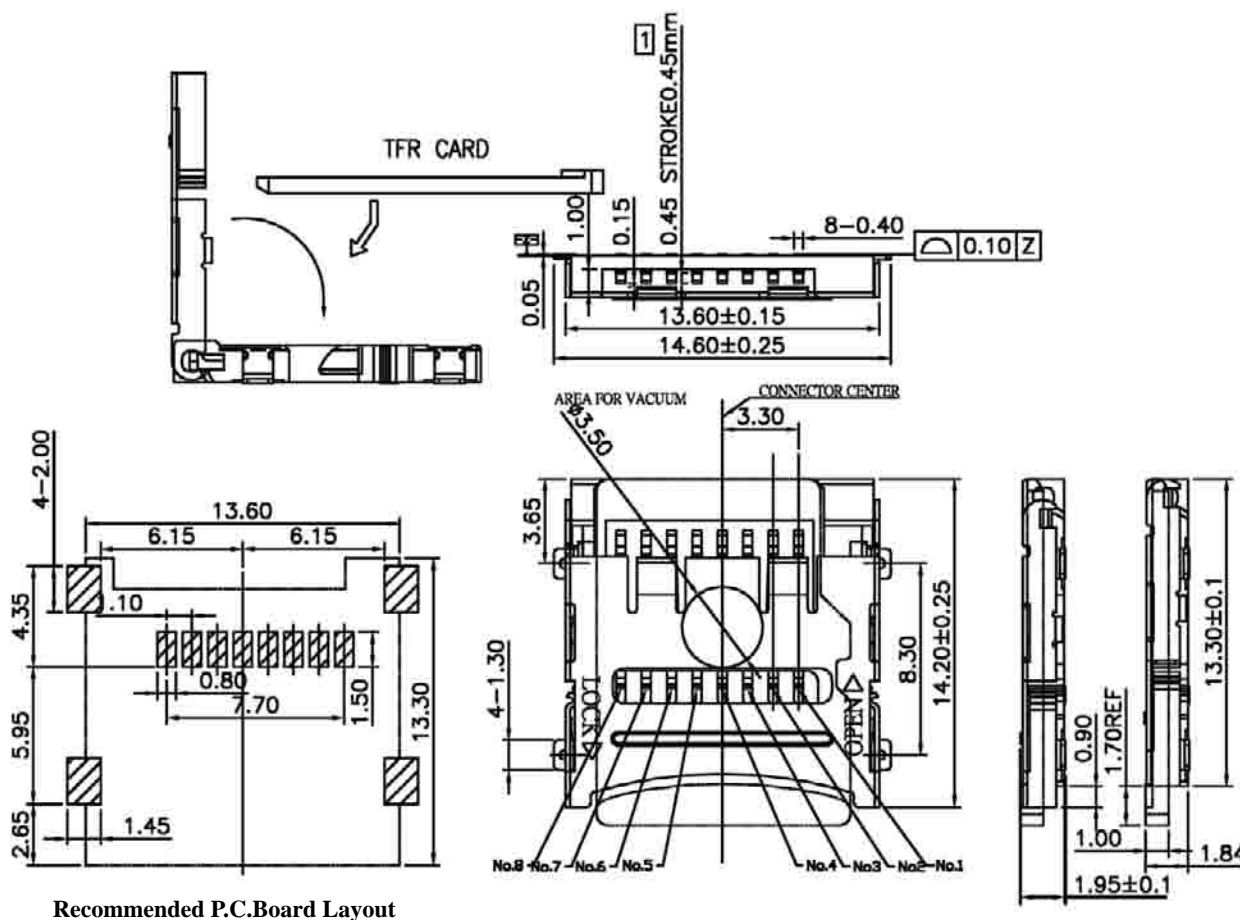
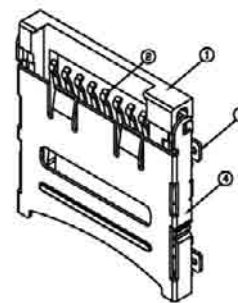
* RoHS & REACH compliant.

MATERIAL:

Housing: LCP

Contact: Phosphor Bronze

Tin 160u" At Solder Tail, Selected Gold On Contact Area Plating



ORDERING INFORMATION:

P/N M C D - 6 D 6 T F $\frac{X}{1}$ $\frac{X}{2}$ - R

1. CONTACT FINISH:
"03" 3 MICROINCH GOLD
"15" 15 MICROINCH GOLD
2. PACKAGE OPTION:
"R" TAPE & REEL

MICRO SD (T-FLASH) 8 PIN CARD CONNECTOR TYPE 3

SPECIFICATIONS

Withstanding Voltage: 500VAC Max With 1 Minute

Insulation R.: 1000MΩ Min

Contact R.: 100mΩ Max

Current Rating: 0.5A AC/DC Max

Rated Voltage: 100 V RMS Min

Operating Temperature: -25°C ~ +85°C

* RoHS & REACH compliant.

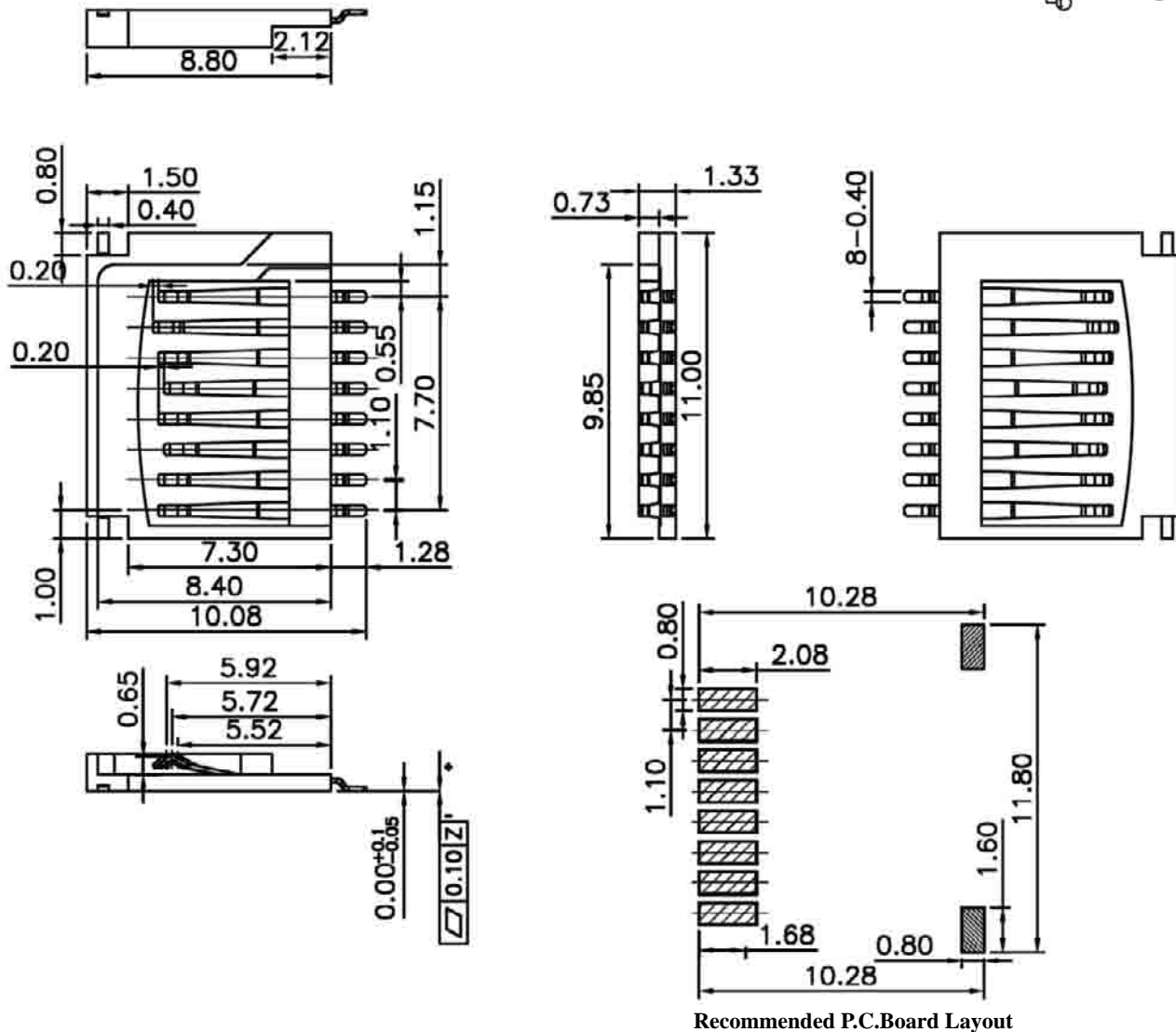
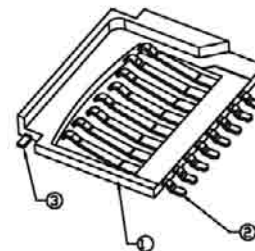
MATERIAL:

Housing: LCP

Contact: Phosphor Bronze

Tin 160u" At Solder Tail, Selected Gold On Contact

Area Plating



ORDERING INFORMATION:

P/N M C D - 6 D 7 T F $\frac{X}{1}$ $\frac{X}{2}$ - R

1. CONTACT FINISH:

"03" 3 MICROINCH GOLD

"15" 15 MICROINCH GOLD

2. PACKAGE OPTION:

"R" TAPE & REEL

MICRO SD (T-FLASH) 8 PIN CARD CONNECTOR TYPE B

SPECIFICATIONS

Withstanding Voltage: 500VAC Max With 1 Minute

Insulation R.: 1000MΩ Min

Contact R.: 100mΩ Max

Current Rating: 0.5A AC/DC Max

Rated Voltage: 100 V RMS Min

Operating Temperature: -25°C ~ +85°C

* RoHS & REACH compliant.

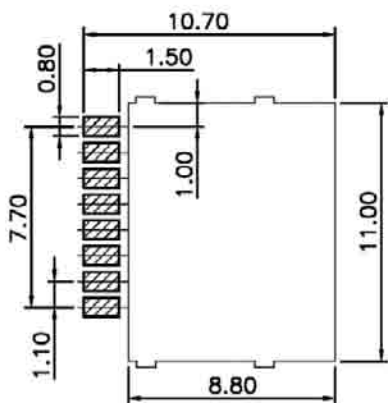
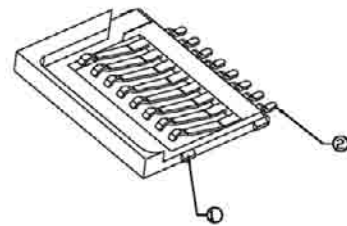
MATERIAL:

Housing: LCP

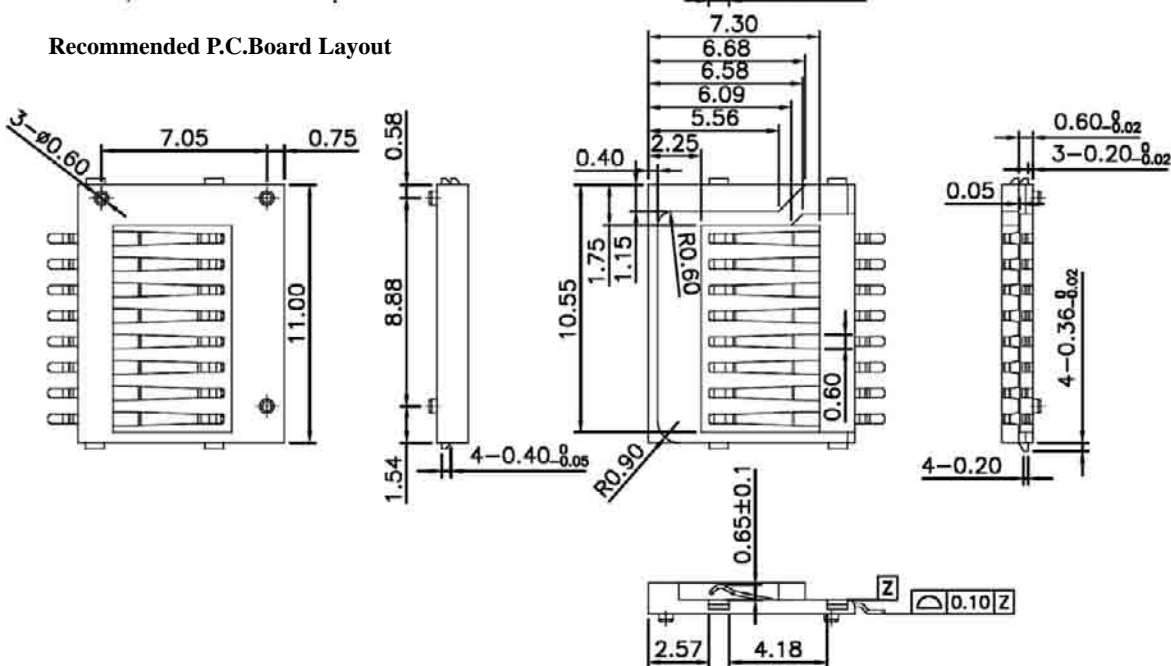
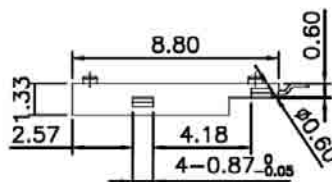
Contact: Phosphor Bronze

Tin 160u" At Solder Tail, Selected

Gold On Contact Area Plating



Recommended P.C.Board Layout



ORDERING INFORMATION:

P/N M C D - 6 D 8 T F $\frac{X}{1}$ $\frac{X}{2}$ - R

1. CONTACT FINISH:
"03" 3 MICROINCH GOLD
"15" 15 MICROINCH GOLD
2. PACKAGE OPTION:
"R" TAPE & REEL

MICRO SD (T-FLASH) 8 PIN CARD CONNECTOR WITH SWITCH

SPECIFICATIONS

Withstanding Voltage: 500VAC Max With 1 Minute

Insulation R.: 1000MΩ Min

Contact R.: 100mΩ Max

Current Rating: 0.5A AC/DC Max

Rated Voltage: 100 V RMS Min

Operating Temperature: -25°C ~ +85°C

* RoHS & REACH compliant.

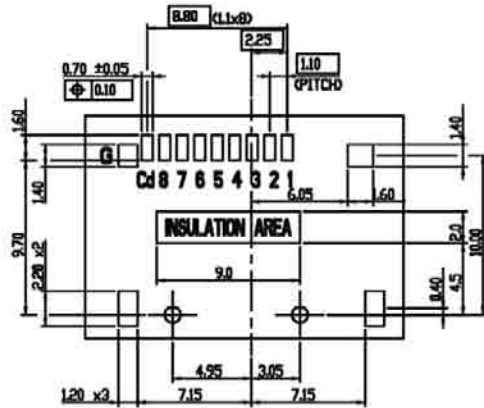
MATERIAL:

Housing: LCP

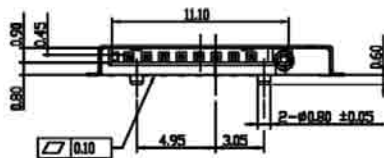
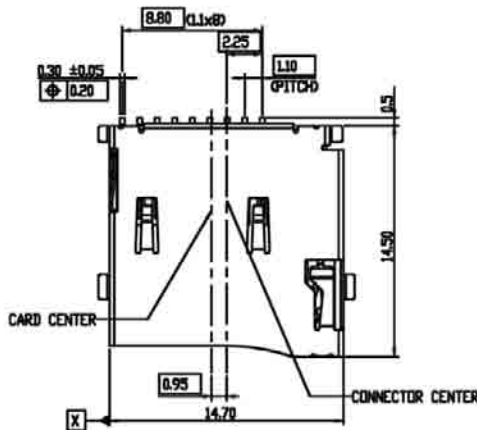
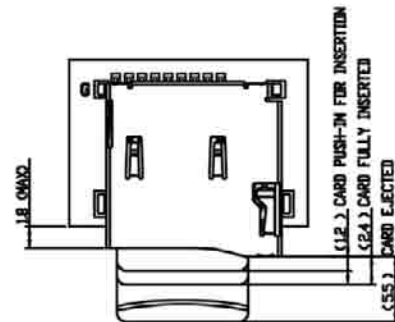
Contact: Phosphor Bronze

Tin 160u" At Solder Tail, Selected

Gold On Contact Area Plating



Recommended P.C.Board Layout



CARD DETECTION SWITCH	
WHEN CARD IS EJECTED	WHEN CARD IS INSERTED
OPEN	CLOSE
Cd F	Cd F

ORDERING INFORMATION:

P/N MCD-6D9TF $\frac{XX}{1}$ - R $\frac{2}{2}$

- CONTACT FINISH:
"01" GOLD FLASH
"10" 10 MICROINCH GOLD
- PACKAGE OPTION:
"R" TAPE & REEL

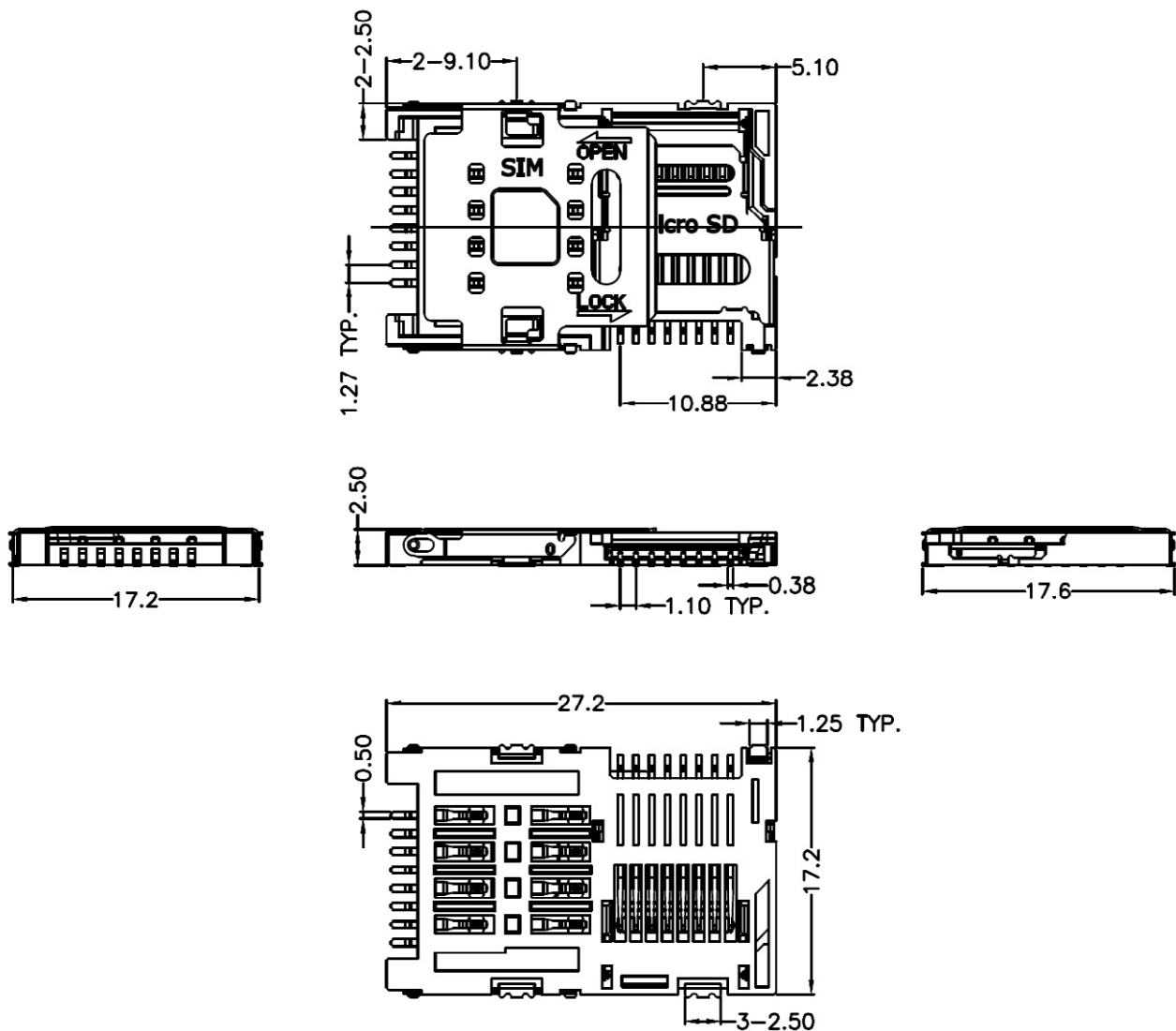
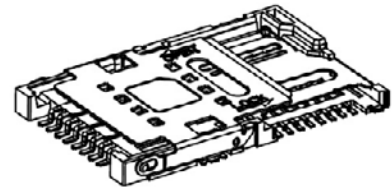
MICRO SD (T-FLASH) + SIM 16 PIN CARD CONNECTOR HINGE TYPE H=2.50MM

SPECIFICATIONS

Current Rating: 0.5 AMP Max
Dielectric Withstanding: 500VAC For 1 Minute
Contact R.: 100mΩ Max
Insulation R.: 1000MΩ Min
Rated Voltage: 100 V RMS Min At DC 500V
Operating Temperature: -25°C ~ +85°C
 * RoHS & REACH compliant.

MATERIAL:

Housing: Hi-Temp, Plastic(UL 94V-0)
Shell: Stainless Steel
Solder Pad: Copper Alloy, Gold Plating
 On Contact Area Tin Plating On Solder Tail



ORDERING INFORMATION:

P/N M C D - 6 A 1 T S $\frac{X X}{1}$ - $\frac{R}{2}$

1. CONTACT FINISH:
 - "01" GOLD FLASH
 - "05" 05 MICROINCH GOLD
 - "10" 10 MICROINCH GOLD
 - "15" 15 MICROINCH GOLD
 - "30" 30 MICROINCH GOLD
2. PACKAGE OPTION:
 - "R" TAPE & REEL

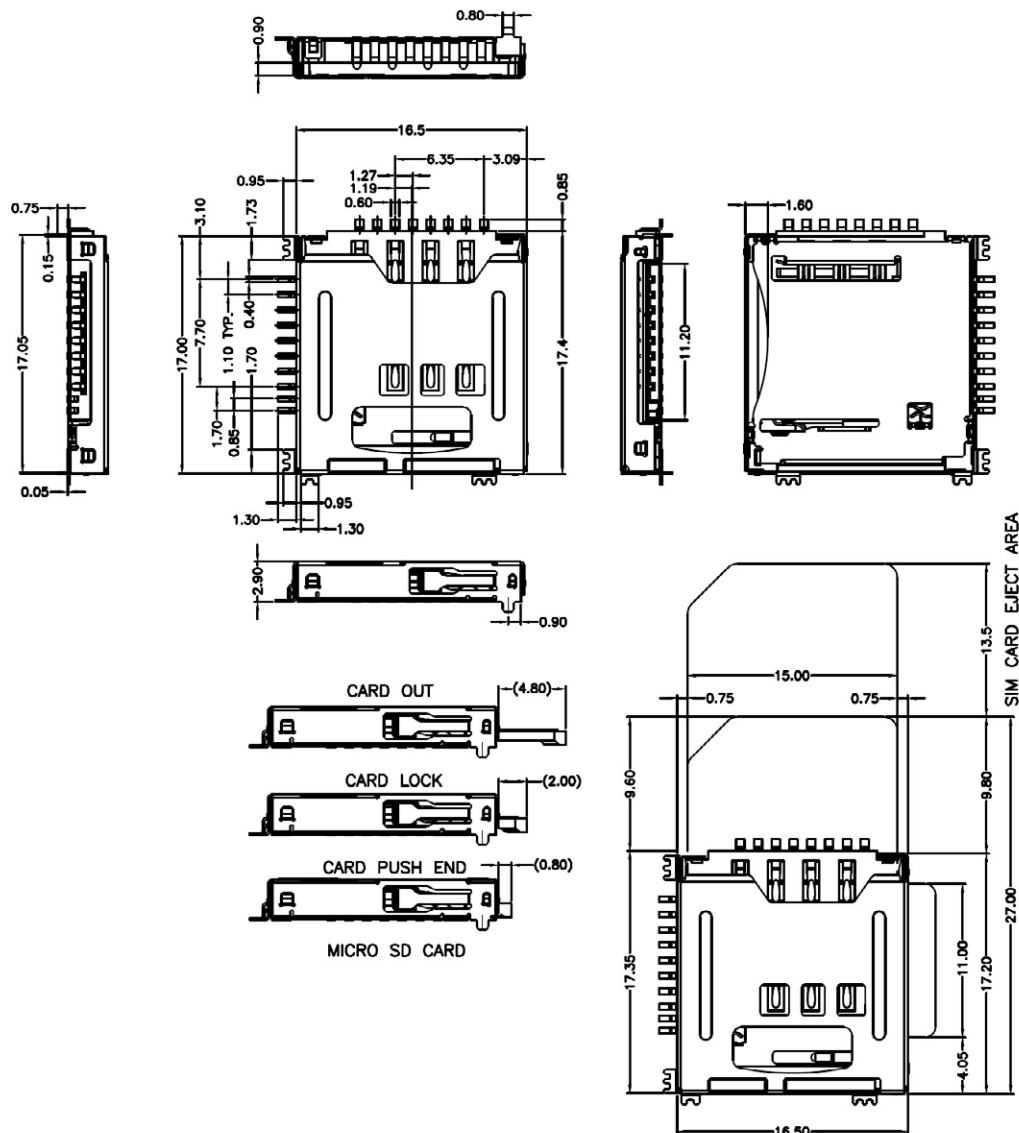
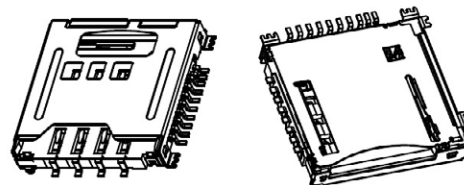
MICRO SD (T-FLASH) + SIM 18 PIN CARD CONNECTOR PUSH - PUSH TYPE H=2.90MM

SPECIFICATIONS

Current Rating: 0.5 AMP Max
 Dielectric Withstanding: 500VAC For 1 Minute
 Contact R.: 100mΩ Max
 Insulation R.: 1000MΩ Min
 Rated Voltage: 100 V RMS Min At DC 500V
 Operating Temperature: -25°C ~ +85°C
 * RoHS & REACH compliant.

MATERIAL:

Housing: Hi-Temp, Plastic(UL 94V-0)
 Shell: Stainless Steel
 Solder Pad: Copper Alloy, Gold Plating
 On Contact Area Tin Plating On Solder Tail



ORDERING INFORMATION:

P/N M C D - 6 A 2 T S $\frac{X}{1}$ - $\frac{R}{2}$

- CONTACT FINISH:
 "01" GOLD FLASH
 "05" 05 MICROINCH GOLD
 "10" 10 MICROINCH GOLD
 "15" 15 MICROINCH GOLD
 "30" 30 MICROINCH GOLD
- PACKAGE OPTION:
 "R" TAPE & REEL

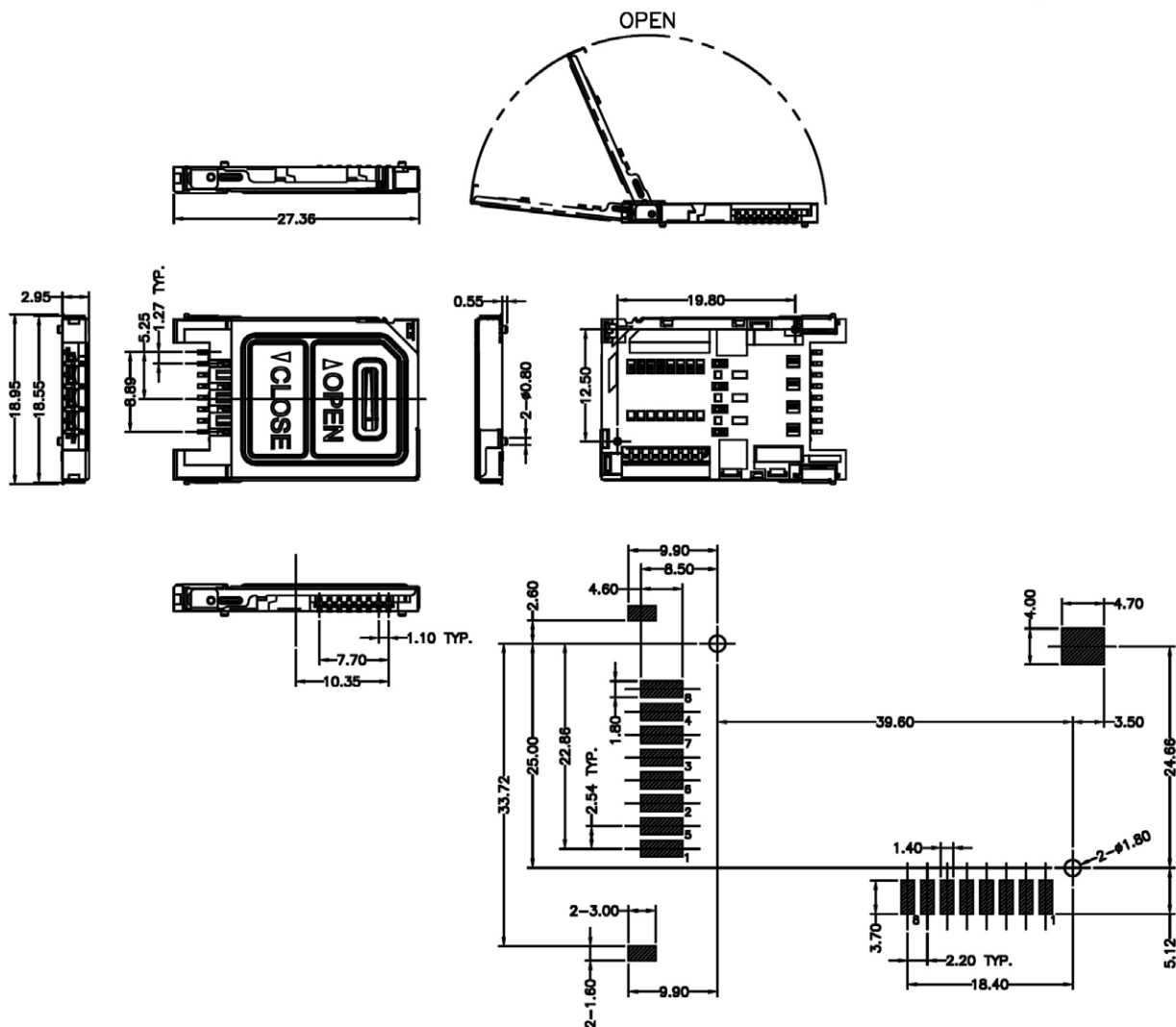
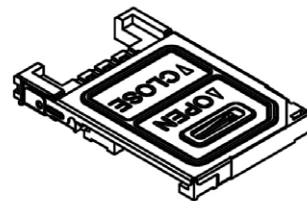
MICRO SD (T-FLASH) + SIM 16 PIN CARD CONNECTOR HINGE TYPE H=2.95MM

SPECIFICATIONS

Current Rating: 0.5 AMP Max
Dielectric Withstanding: 500VAC For 1 Minute
Contact R.: 100mΩ Max
Insulation R.: 1000MΩ Min
Rated Voltage: 100 V RMS Min At DC 500V
Operating Temperature: -25°C ~ +85°C
 * RoHS & REACH compliant.

MATERIAL:

Housing: Hi-Temp, Plastic(UL 94V-0)
Shell: Stainless Steel
Solder Pad: Copper Alloy, Gold Plating
 On Contact Area Tin Plating On Solder Tail



Recommended P.C.Board Layout

ORDERING INFORMATION:

P/N M C D - 6 A 3 T S $\frac{X}{1}$ - $\frac{R}{2}$

1. CONTACT FINISH:
 - "01" GOLD FLASH
 - "05" 05 MICROINCH GOLD
 - "10" 10 MICROINCH GOLD
 - "15" 15 MICROINCH GOLD
 - "30" 30 MICROINCH GOLD
2. PACKAGE OPTION:
 - "R" TAPE & REEL

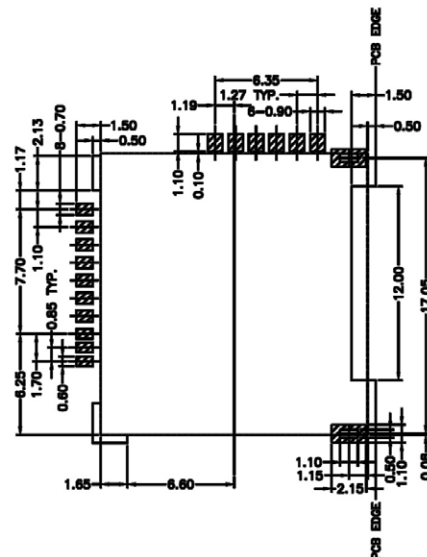
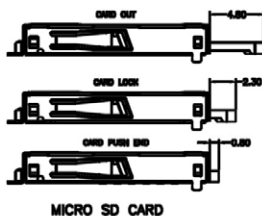
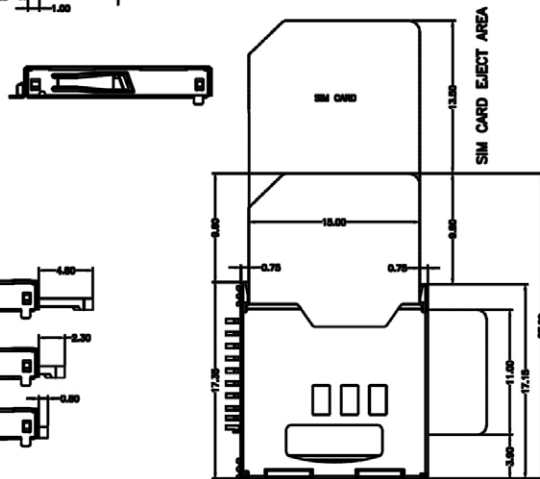
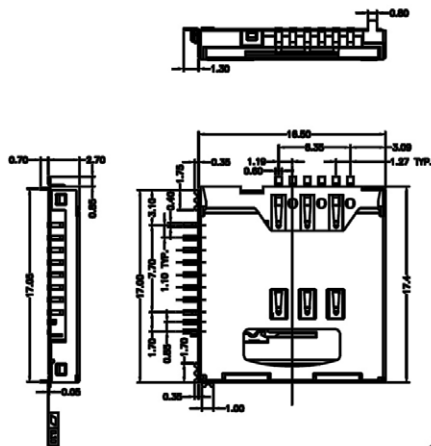
MICRO SD (T-FLASH) + SIM 16 PIN CARD CONNECTOR PUSH - PUSH TYPE H=2.70MM

SPECIFICATIONS

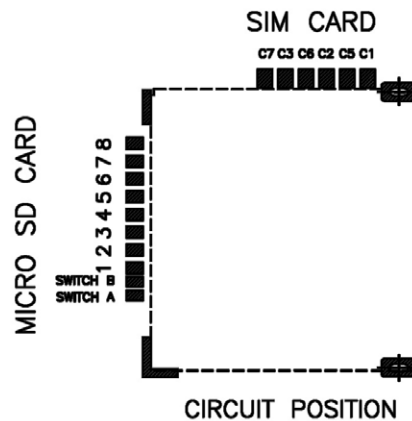
Current Rating: 0.5 AMP Max
 Dielectric Withstanding: 500VAC For 1 Minute
 Contact R.: 100mΩ Max
 Insulation R.: 1000MΩ Min
 Rated Voltage: 100 V RMS Min At DC 500V
 Operating Temperature: -25°C ~ +85°C
 * RoHS & REACH compliant.

MATERIAL:

Housing: Hi-Temp, Plastic(UL 94V-0)
 Shell: Stainless Steel
 Solder Pad: Copper Alloy, Gold Plating
 On Contact Area Tin Plating On Solder Tail



Recommended P.C.Board Layout



ORDERING INFORMATION:

P/N M C D - 6 A 4 T S $\frac{X X}{1}$ - $\frac{R}{2}$

1. CONTACT FINISH:
 - "01" GOLD FLASH
 - "05" 05 MICROINCH GOLD
 - "10" 10 MICROINCH GOLD
 - "15" 15 MICROINCH GOLD
 - "30" 30 MICROINCH GOLD
2. PACKAGE OPTION:
 - "R" TAPE & REEL

MICRO SD (T-FLASH) + SIM 16 PIN CARD CONNECTOR

SPECIFICATION:

Withstanding Voltage: 500V AC Max for 1 min.

Insulation R.: 1000MΩ

Voltage Rating: 100V AC

Current Rating: 0.5A AC/DC Max.

Contact R.: 40mΩ Max.

Operating Temperature: -25°C ~ +90°C

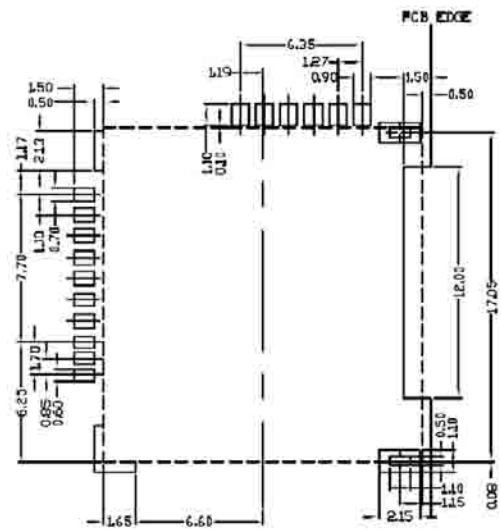
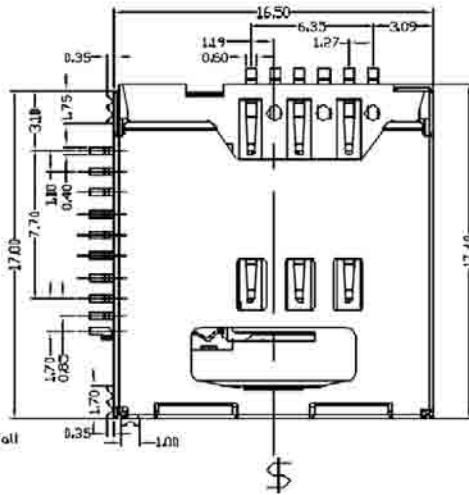
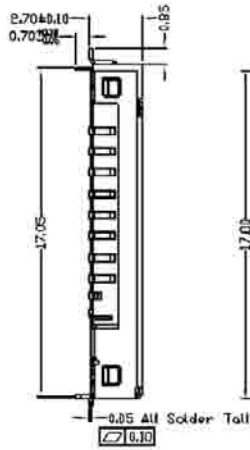
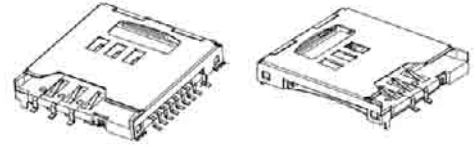
Insertion Cycles: 10000 times

* RoHS & REACH compliant.

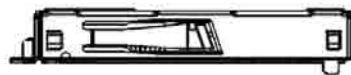
MATERIAL:

Contact: Phosphor Bronze

Housing: High Temperature Plastic
(UL94V-0)



Recommended P.C.Board Layout



ORDERING INFORMATION:

P/N M C D - 6 A 5 T S $\frac{XX}{I}$ - $\frac{R}{2}$

1. CONTACT FINISH:
"01" GOLD FLASH
"10" 10 MICROINCH GOLD
2. PACKAGE OPTION:
"R" TAPE & REEL

MICRO SD (T-FLASH) + SIM 16 PIN CARD CONNECTOR

SPECIFICATIONS

Current Rating: 0.5 AMP Max

Dielectric Withstanding: 500VAC For 1 Minute

Contact R.: 100mΩ Max

Insulation R.: 1000MΩ Min

Rated Voltage: 100 V RMS Min At DC 500V

Operating Temperature: -25°C ~ +85°C

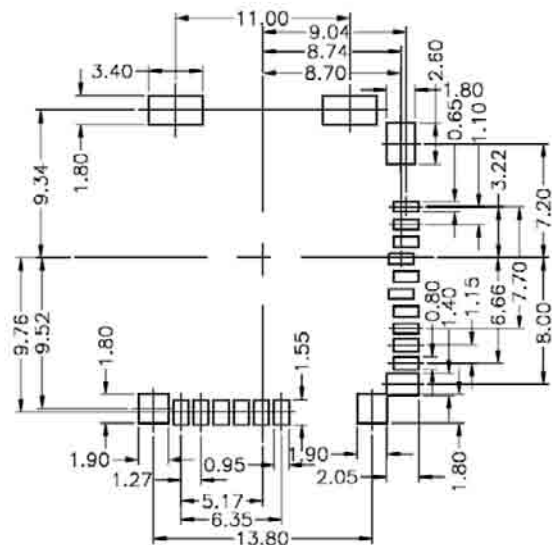
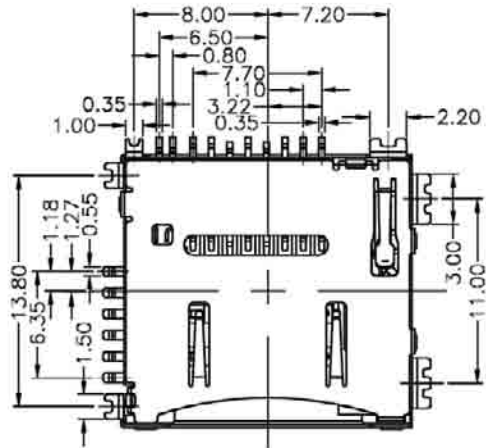
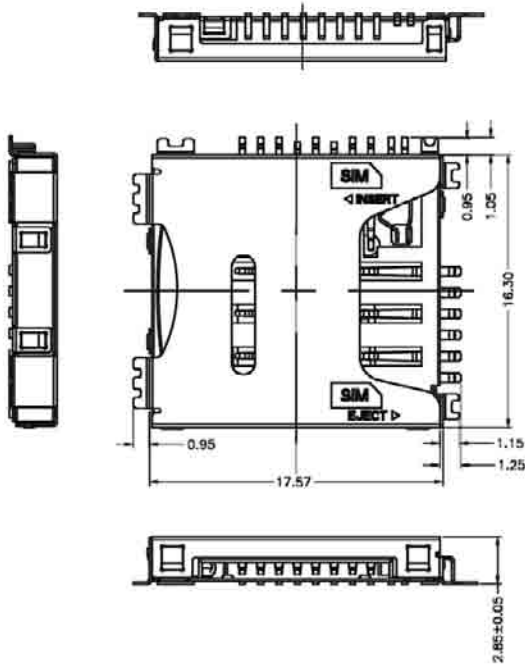
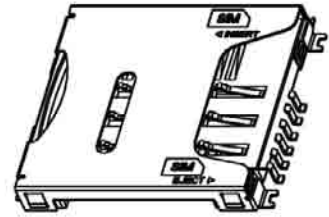
* RoHS & REACH compliant.

MATERIAL:

Housing: Hi-Temp, Plastic(UL 94V-0)

Shell: Stainless Steel

Solder Pad: Copper Alloy, Gold Plating
On Contact Area Tin Plating On Solder
Tail



Recommended P.C.Board Layout

ORDERING INFORMATION:

P/N M C D - 6 A 6 T S $\frac{X X}{1}$ - $\frac{R}{2}$

1. CONTACT FINISH:
"01" GOLD FLASH
"10" 10 MICROINCH GOLD
2. PACKAGE OPTION:
"R" TAPE & REEL

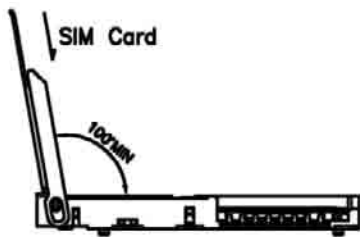
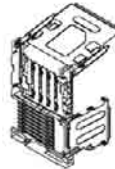
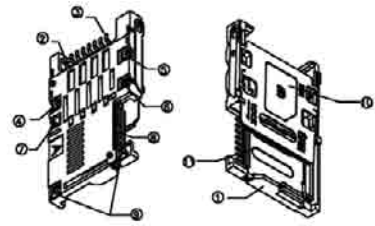
MICRO SD (T-FLASH) + SIM 16 PIN CARD CONNECTOR

SPECIFICATIONS

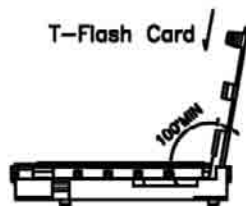
Current Rating: 0.5 AMP Max
Dielectric Withstanding: 500VAC For 1 Minute
Contact R.: 100mΩ Max
Insulation R.: 1000MΩ Min
Rated Voltage: 100 V RMS Min At DC 500V
Operating Temperature: -25°C ~ +85°C
 * RoHS & REACH compliant.

MATERIAL:

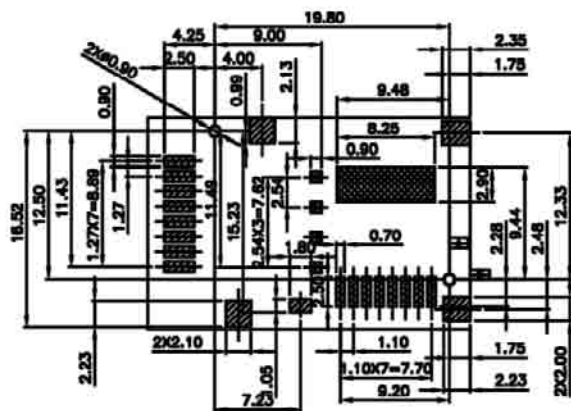
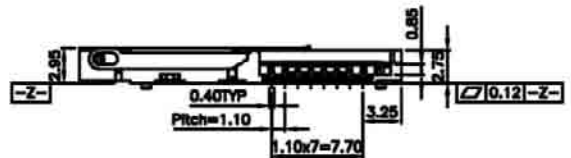
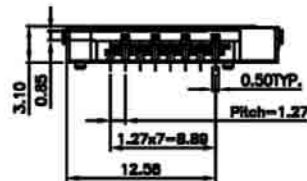
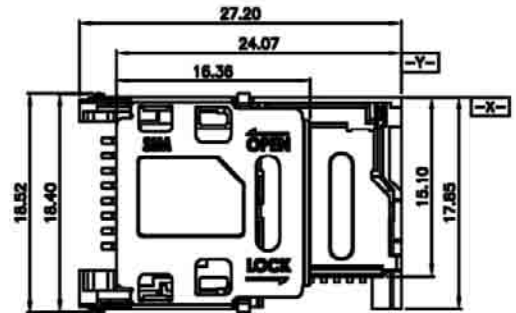
Housing: Hi-Temp, Plastic(UL 94V-0)
Shell: Stainless Steel
Solder Pad: Copper Alloy, Gold Plating
 On Contact Area Tin Plating On Solder Tail



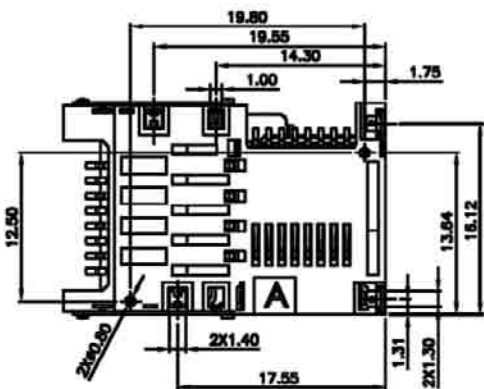
SIM Card Cover Open Angle



T-Flash Card Cover Open Angle



Recommended P.C.Board Layout



ORDERING INFORMATION:

P/N M C D - 6 A 7 T S $\frac{X X}{1}$ - $\frac{R}{2}$

- CONTACT FINISH:
"03" 3 MICROINCH GOLD
- PACKAGE OPTION:
"R" TAPE & REEL

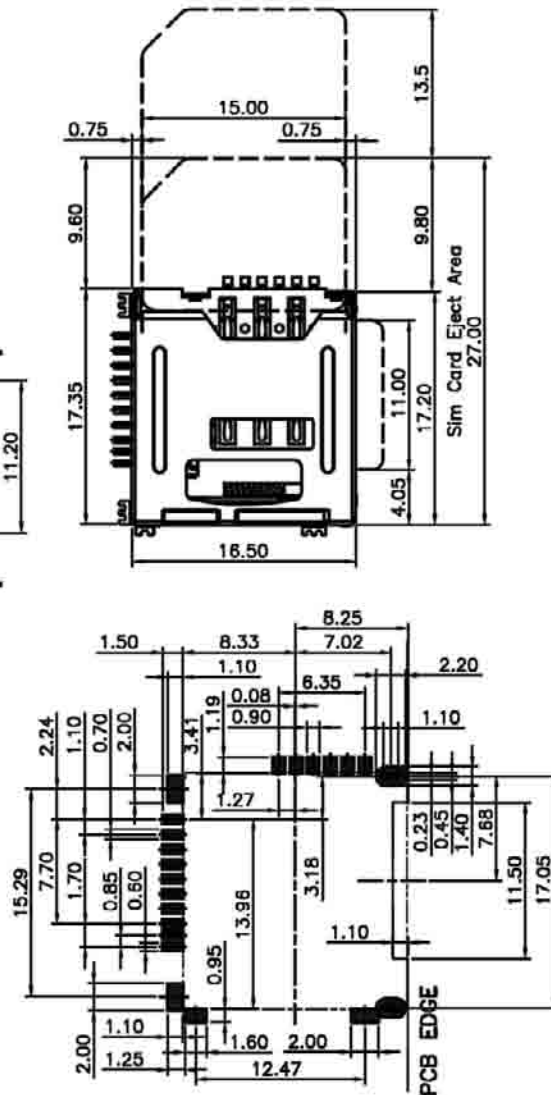
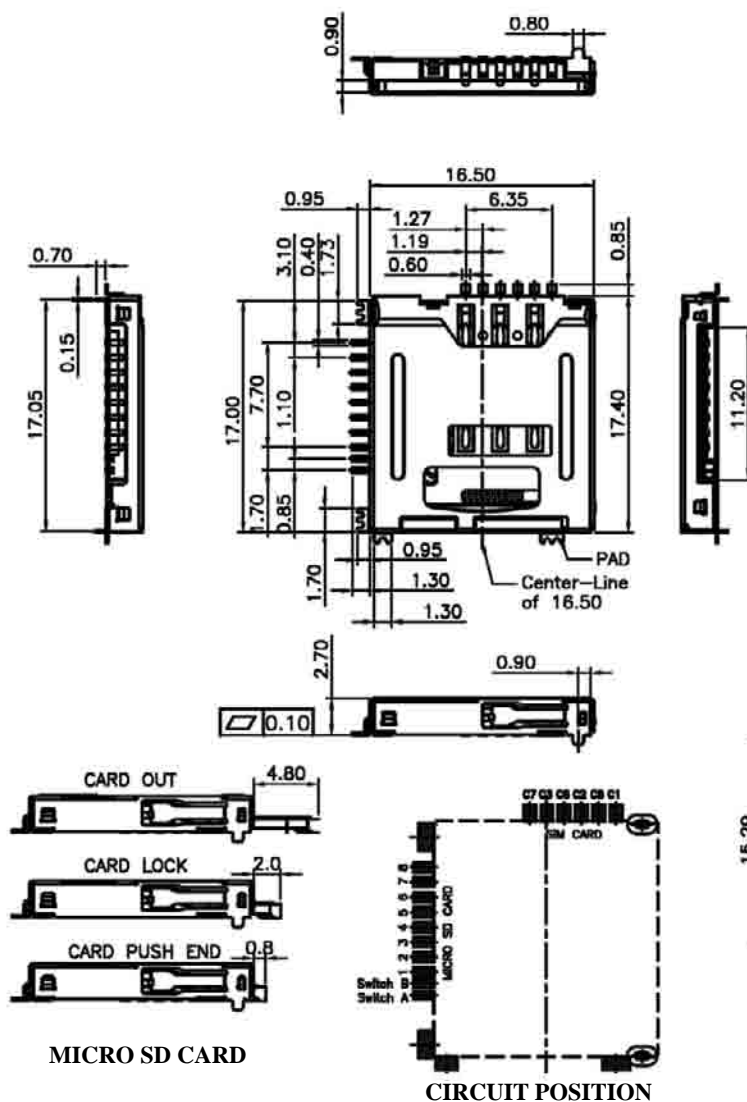
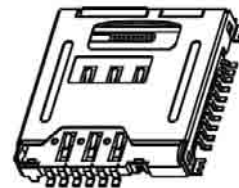
MICRO SD (T-FLASH) + SIM 16 PIN CARD CONNECTOR PUSH - PUSH TYPE H=2.70MM

SPECIFICATIONS

Current Rating: 0.5 AMP Max
 Dielectric Withstanding: 500VAC For 1 Minute
 Contact R.: 100mΩ Max
 Insulation R.: 1000MΩ Min
 Rated Voltage: 100 V RMS Min At DC 500V
 Operating Temperature: -25°C ~ +85°C
 * RoHS & REACH compliant.

MATERIAL:

Housing: Hi-Temp, Plastic(UL 94V-0)
 Shell: Stainless Steel
 Solder Pad: Copper Alloy, Gold Plating
 On Contact Area Tin Plating On Solder Tail



ORDERING INFORMATION:

P/N MCD - 6 A 8 T S $\frac{X}{1}$ - $\frac{R}{2}$

- CONTACT FINISH:
 "01" GOLD FLASH
 "10" 10 MICROINCH GOLD
 "15" 15 MICROINCH GOLD
 "30" 30 MICROINCH GOLD
- PACKAGE OPTION:
 "R" TAPE & REEL

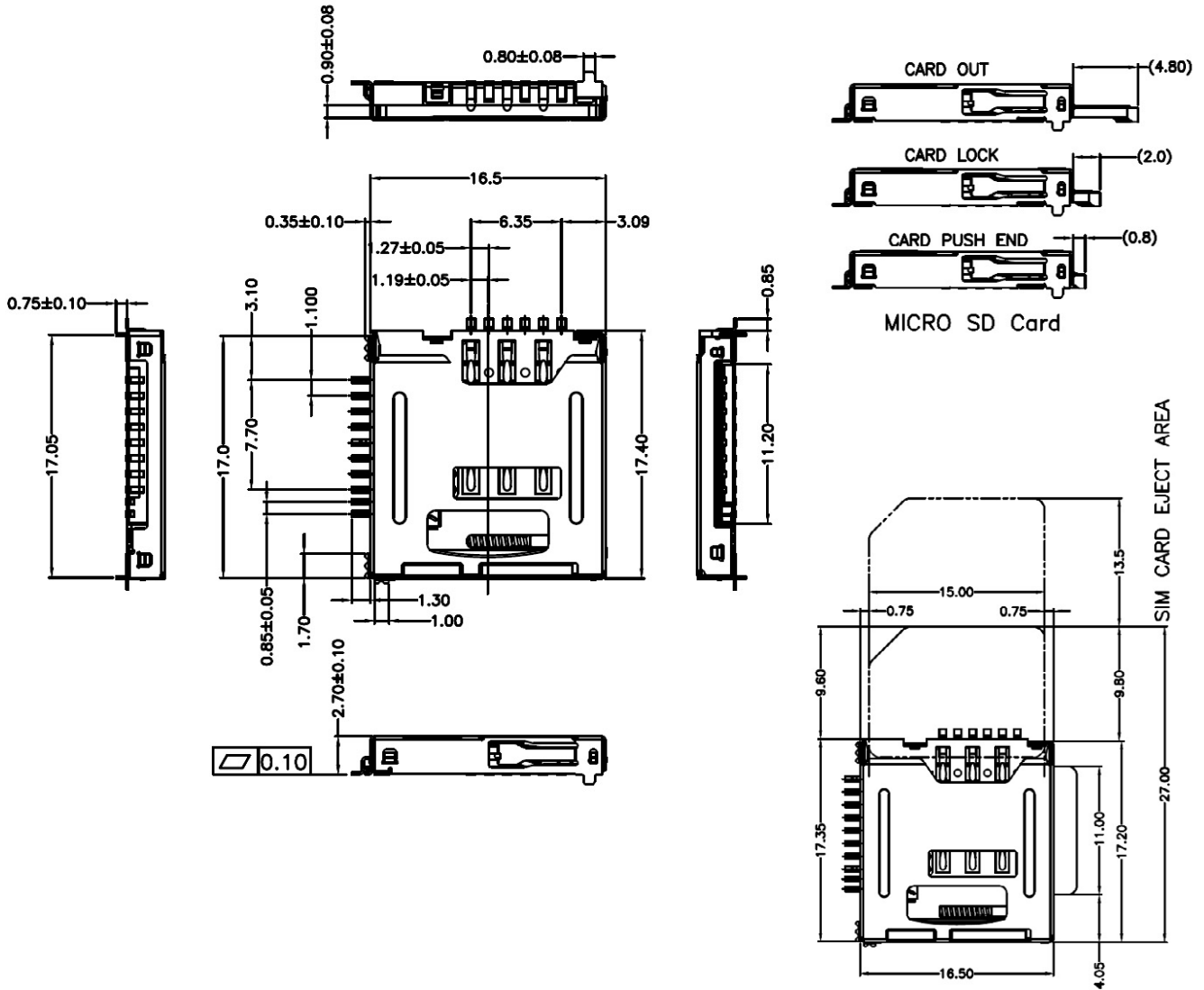
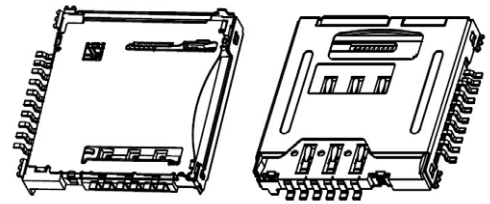
MICRO SD (T-FLASH) + SIM 16 PIN CARD CONNECTOR PUSH - PUSH TYPE H=2.70MM

SPECIFICATIONS

Current Rating: 0.5 AMP Max
Dielectric Withstanding: 500VAC For 1 Minute
Contact R.: 100mΩ Max
Insulation R.: 1000MΩ Min
Rated Voltage: 100 V RMS Min At DC 500V
Operating Temperature: -25°C ~ +85°C
 * RoHS & REACH compliant.

MATERIAL:

Housing: Hi-Temp, Plastic(UL 94V-0)
Shell: Stainless Steel
Solder Pad: Copper Alloy, Gold Plating
 On Contact Area Tin Plating On Solder Tail



ORDERING INFORMATION:

P/N MCD-6A9TS $\frac{XX}{1}$ - $\frac{R}{2}$

1. CONTACT FINISH:
 "01" GOLD FLASH
 "15" 15 MICROINCH GOLD
 "30" 30 MICROINCH GOLD
2. PACKAGE OPTION:
 "R" TAPE & REEL

SD (SECURE DIGITAL) 12 PIN CARD CONNECTOR WITHOUT COVER

SPECIFICATION:

Withstanding Voltage: 500V AC Max for 1 Min

Insulation R.: 1000M Ω

Voltage Rating: 250V AC

Current Rating: 0.5A AC/DC Max.

Contact R.: 40m Ω Max.

Operating Temperature: -25 $^{\circ}$ c ~ +85 $^{\circ}$ c

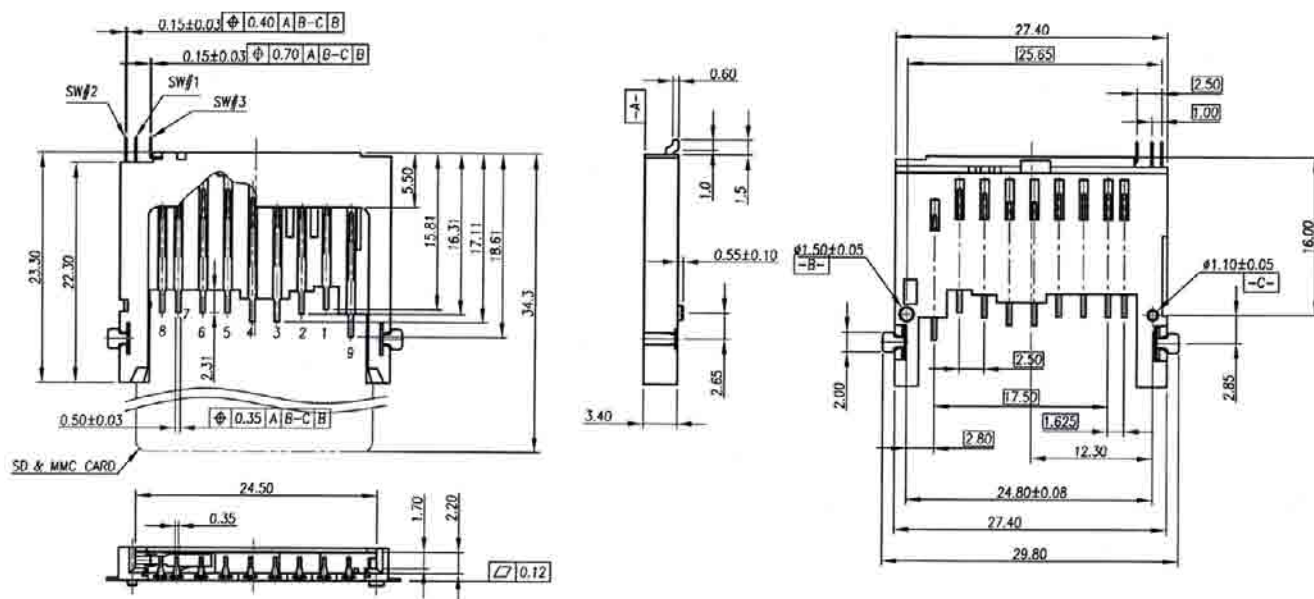
Insertion Cycles: 10000 Times

* RoHS & REACH compliant.

MATERIAL:

Contact: Copper Alloy

Housing: LCP, Glass Fiber



ORDERING INFORMATION:

P/N M C D - 6 2 1 S D $\frac{x}{1}$ - $\frac{x}{2}$

1. CONTACT FINISH:

"01" GOLD FINISH

"05" 5 MICROINCH GOLD

"10" 10 MICROINCH GOLD

"15" 15 MICROINCH GOLD

2. PACKAGE OPTION:

"0" TRAY

"R" TAPE & REEL

SD (SECURE DIGITAL) 9 PIN CARD CONNECTOR PUSH-PUSH TYPE

SPECIFICATION:

Withstanding Voltage: 500V AC Max for 1 Min

Insulation R.: 1000M Ω

Voltage Rating: 250V AC

Current Rating: 0.5A AC/DC Max.

Contact R.: 40m Ω Max.

Operating Temperature: -25 $^{\circ}$ C ~ +85 $^{\circ}$ C

Insertion Cycles: 10000 Times

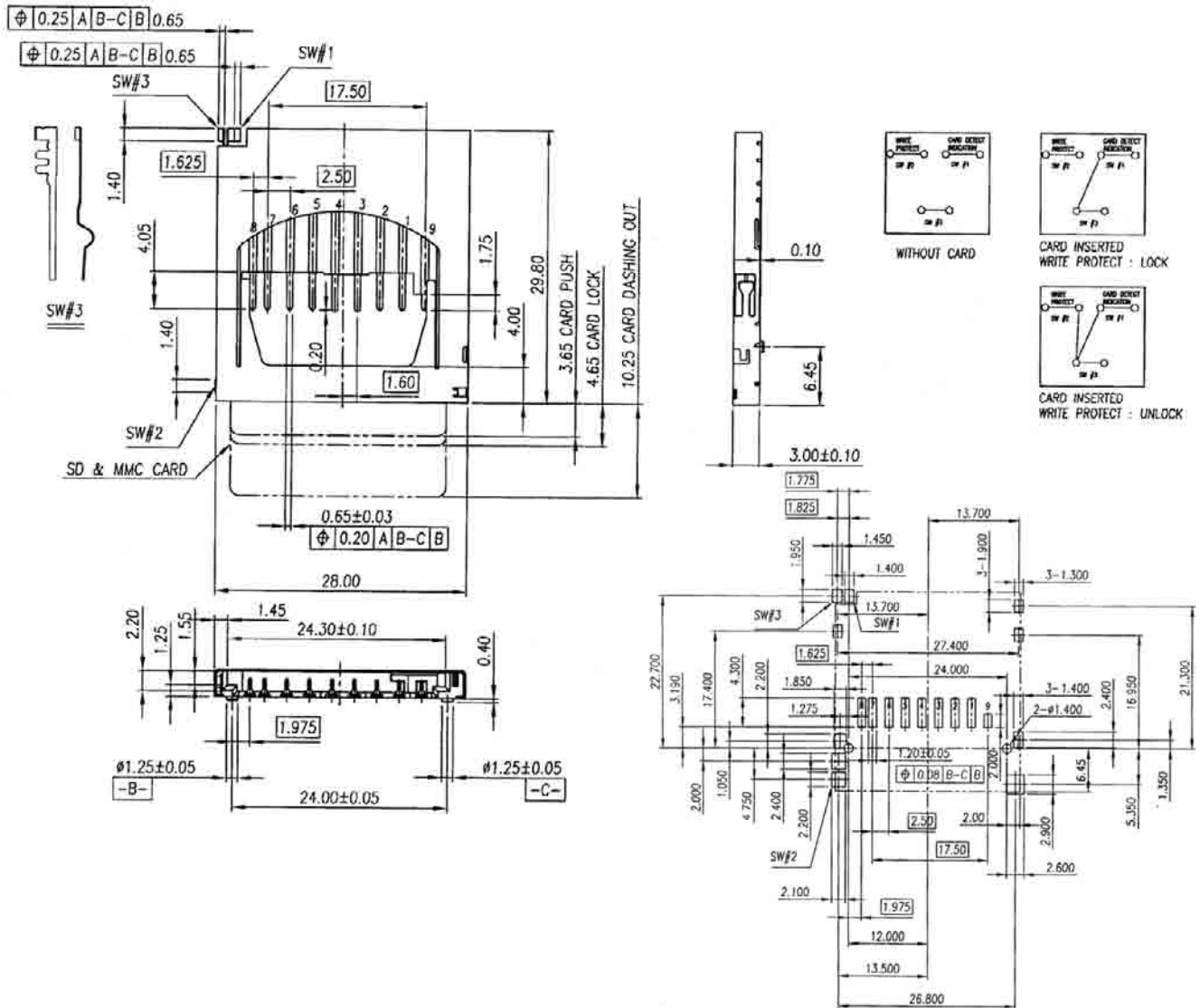
* RoHS & REACH compliant.

MATERIAL:

Contact: Phosphor Bronze

Cover: Brass, Nickle Plating for all

Housing: LCP, Glass Fiber



ORDERING INFORMATION:

P/N M C D - 6 2 2 S D $\frac{x}{1}$ - $\frac{x}{2}$

- CONTACT FINISH:
 - "01" GOLD FINISH
 - "05" 5 MICROINCH GOLD
 - "10" 10 MICROINCH GOLD
 - "15" 15 MICROINCH GOLD
- PACKAGE OPTION:
 - "0" TRAY
 - "R" TAPE & REEL

SD (SECURE DIGITAL) 9 PIN CARD CONNECTOR METAL COVER TYPE

SPECIFICATION:

Withstanding Voltage: 500V AC Max for 1 Min

Insulation R.: 1000M Ω

Voltage Rating: 250V AC

Current Rating: 0.5A AC/DC Max.

Contact R.: 40m Ω Max.

Operating Temperature: -25 $^{\circ}$ c ~ +85 $^{\circ}$ c

Insertion Cycles: 10000 Times

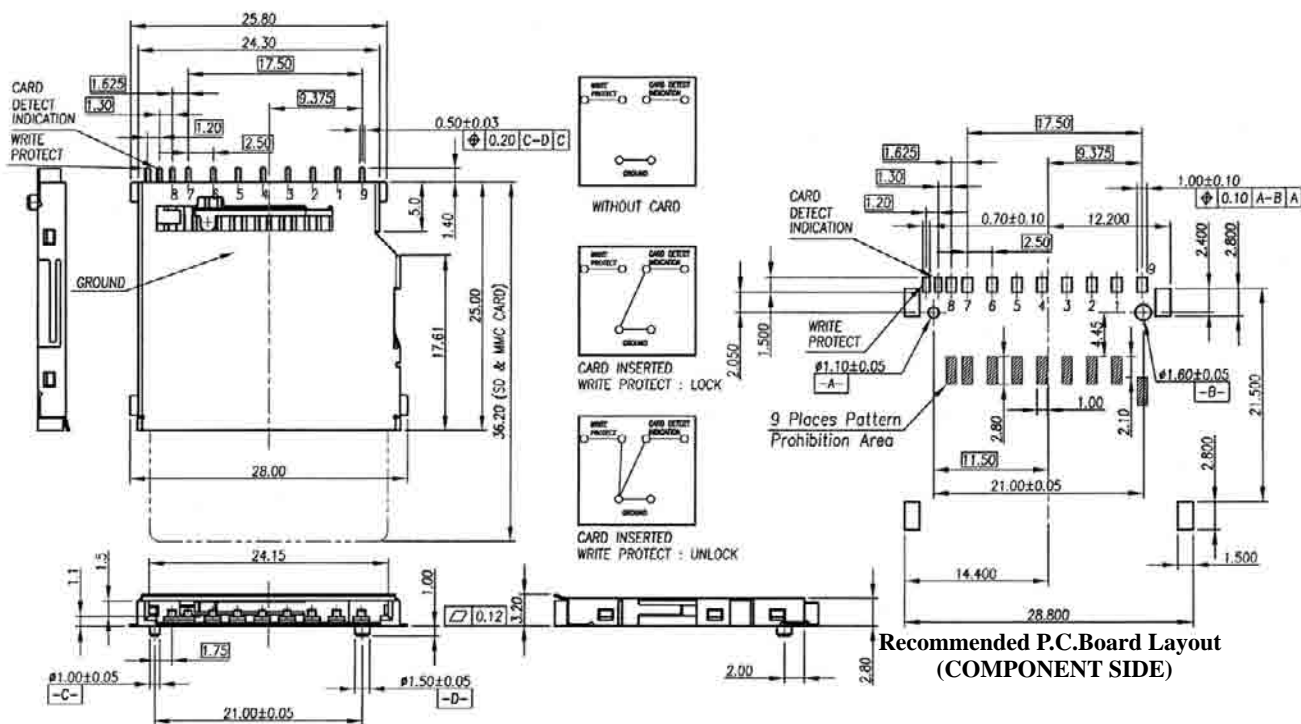
* RoHS & REACH compliant.

MATERIAL:

Contact: Phosphor Bronze

Cover: Brass, Nickle Plating for all

Housing: LCP, Glass Fiber



ORDERING INFORMATION:

P/N M C D - 6 2 3 S D $\frac{x}{1}$ - $\frac{x}{2}$

1. CONTACT FINISH:
 "05" 5 MICROINCH GOLD
 "10" 10 MICROINCH GOLD
 "15" 15 MICROINCH GOLD
2. PACKAGE OPTION:
 "0" TRAY
 "R" TAPE & REEL

SD (SECURE DIGITAL) 9 PIN CARD CONNECTOR METAL COVER TYPE

SPECIFICATION:

ELECTRICAL SPECIFICATION:

1.1 Rated Current: 2A

1.2 Rated Voltage: 250V

ENVIRONMENTAL:

2.1 Operation Temperature: -55°C ~ +125°C

MATERIAL:

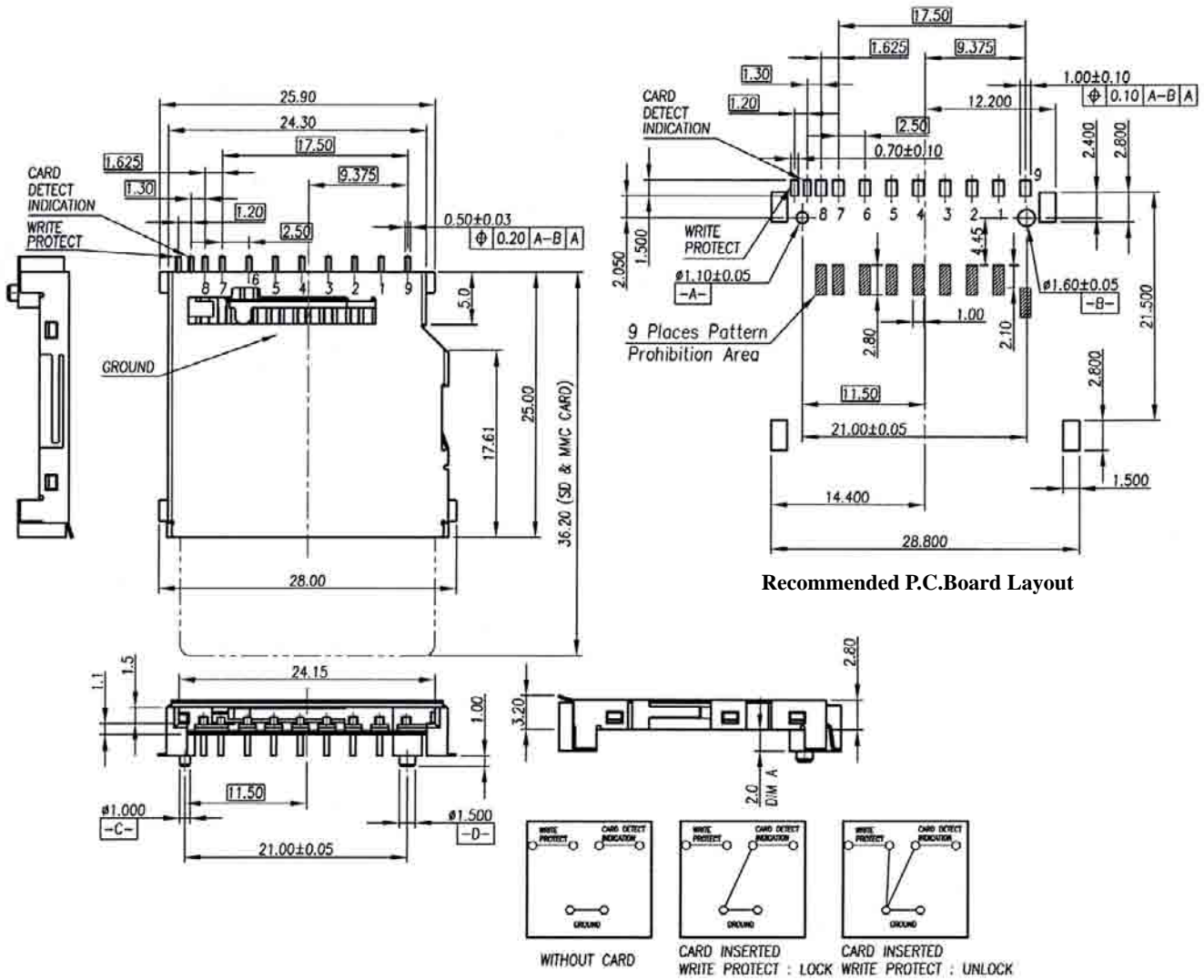
1.1 Housing: High Temp. Thermoplastic+Glass Fibre,
UL94V-0, Color: Black

1.2 Terminal: Copper Alloy

Finish: Gold Plated On Contact Area,
Gold Flash All Over 50µ Nickel plated

1.3 Cover: High Temp. Thermoplastic+Glass Fibre,
UL94V-0, Color: Black

* RoHS & REACH compliant.



ORDERING INFORMATION:

P/N M C D - 6 2 4 S D $\frac{x}{1}$ - $\frac{x}{2}$

- CONTACT FINISH:
"05" 5 MICROINCH GOLD
"10" 10 MICROINCH GOLD
"15" 15 MICROINCH GOLD
- PACKAGE OPTION:
"0" TRAY
"R" TAPE & REEL

SD (SECURE DIGITAL) 9 PIN CARD CONNECTOR PUSH-PUSH TYPE WITH BIG SWITCH#3

SPECIFICATION:

Withstanding Voltage: 500V AC Max for 1 Min

Insulation R.: 1000M Ω

Voltage Rating: 250V AC

Current Rating: 0.5A AC/DC Max.

Contact R.: 40m Ω Max.

Operating Temperature: -25 $^{\circ}$ c ~ +85 $^{\circ}$ c

Insertion Cycles: 10000 Times

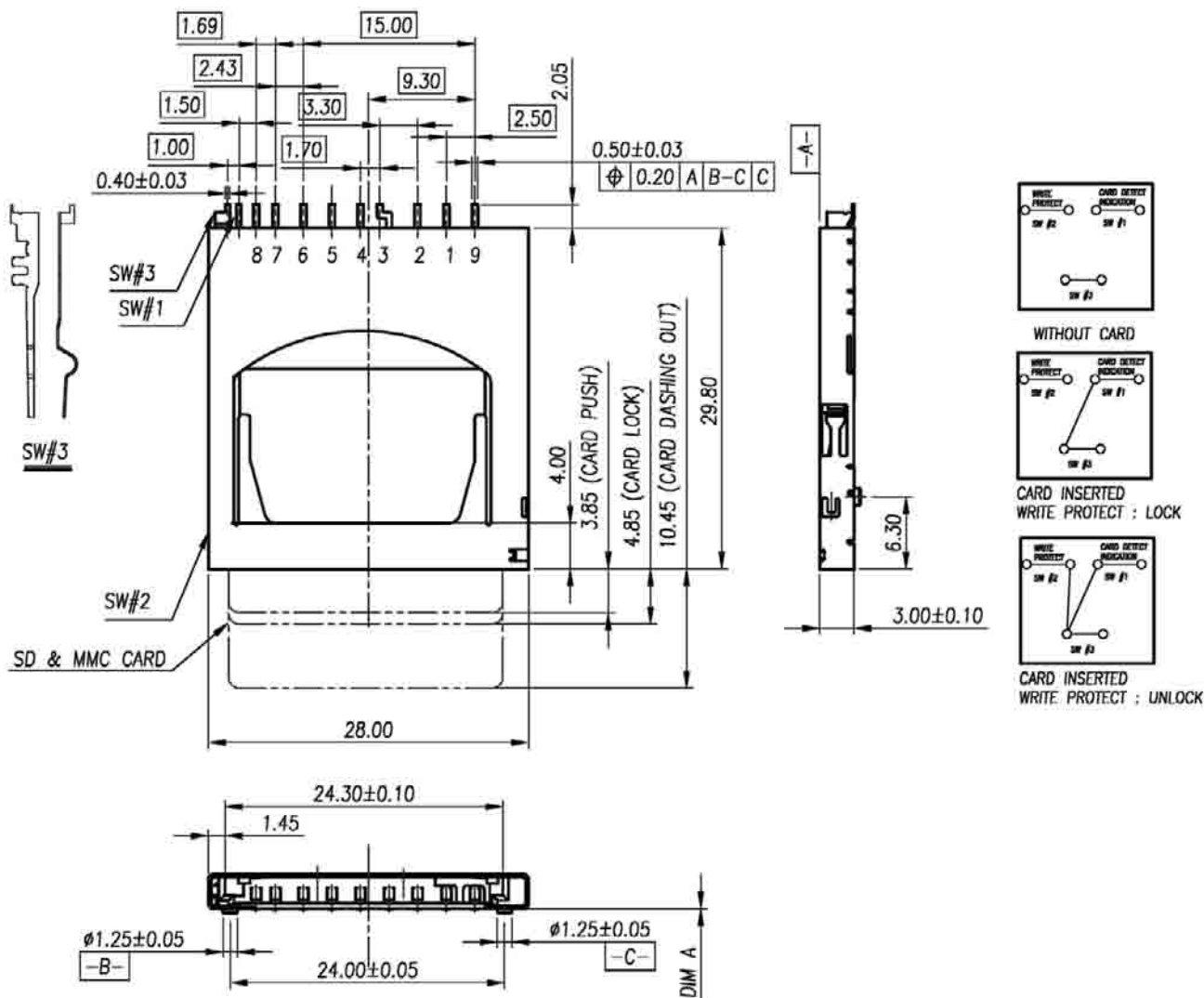
* RoHS & REACH compliant.

MATERIAL:

Contact: Phosphor Bronze

Cover: Brass, Nickle Plating for all

Housing: LCP, Glass Fiber



ORDERING INFORMATION:

P/N M C D - 6 2 5 S D $\frac{x}{1} - \frac{x}{2}$

- CONTACT FINISH:
"01" GOLD FINISH
"05" 5 MICROINCH GOLD
- PACKAGE OPTION:
"0" TRAY
"R" TAPE & REEL

SD (SECURE DIGITAL) 9 PIN CARD CONNECTOR WITH METAL COVER STAND OFF 2.0MM TYPE

SPECIFICATION:

Withstanding Voltage: 500V AC Max for 1 Min

Insulation R.: 1000MΩ

Voltage Rating: 250V AC

Current Rating: 0.5A AC/DC Max.

Contact R.: 40mΩ Max.

Operating Temperature: -25°C ~ +85°C

Insertion Cycles: 10000 Times

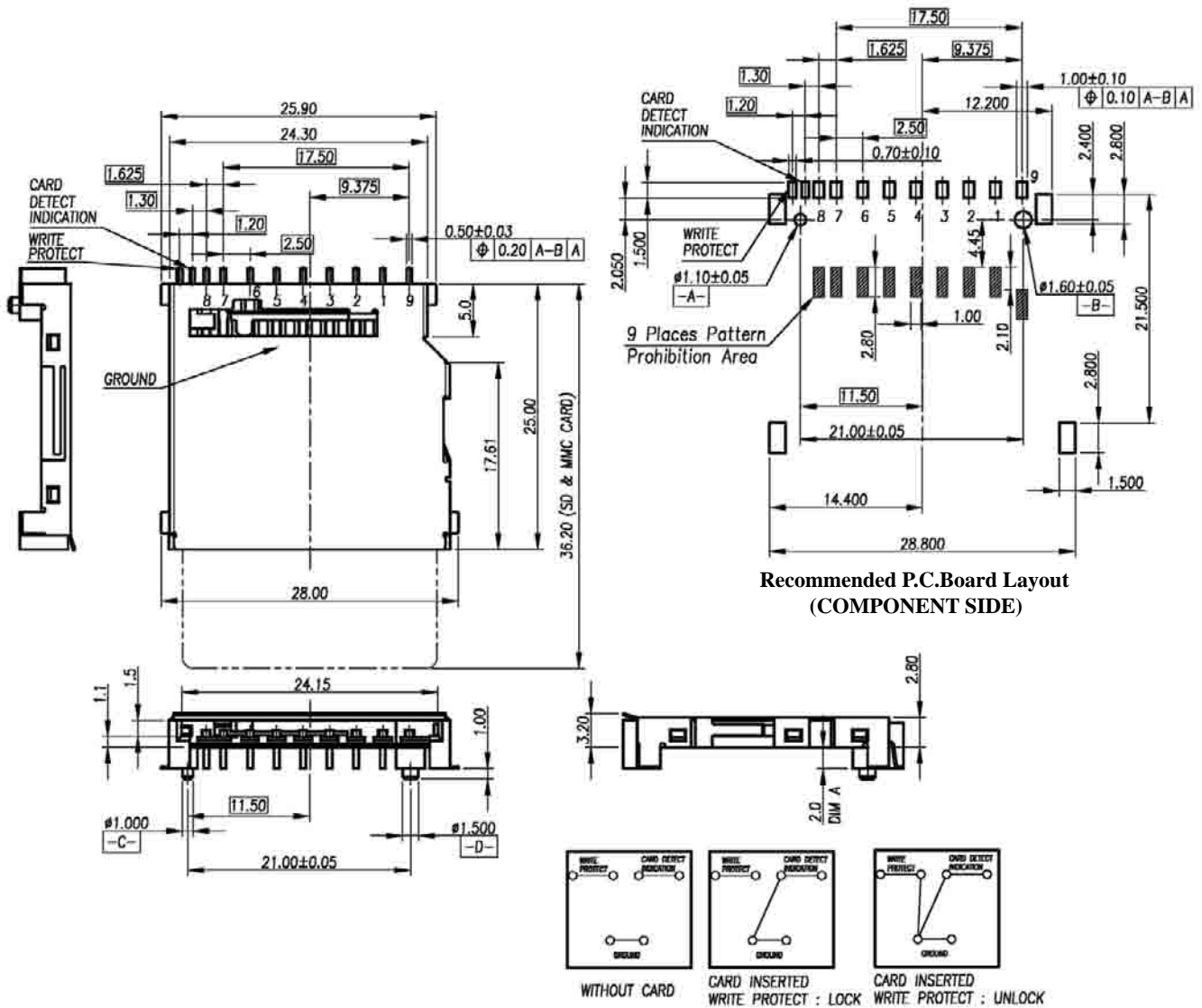
* RoHS & REACH compliant.

MATERIAL:

Contact: Phosphor Bronze

Cover: Brass, Nickle Plating for all

Housing: LCP, Glass Fiber



Recommended P.C.Board Layout (COMPONENT SIDE)

ORDERING INFORMATION:

P/N M C D - 6 2 7 S D $\frac{x}{1} - \frac{x}{2}$

- CONTACT FINISH:
 - "05" 5 MICROINCH GOLD
 - "10" 10 MICROINCH GOLD
 - "15" 15 MICROINCH GOLD
- PACKAGE OPTION:
 - "0" TRAY
 - "R" TAPE & REEL

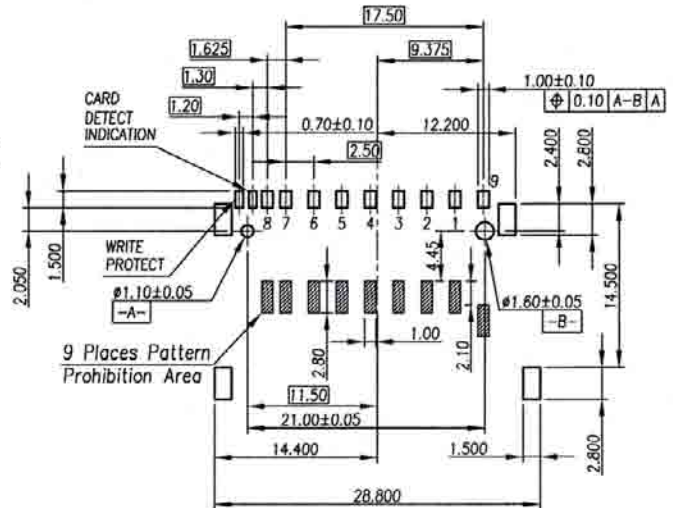
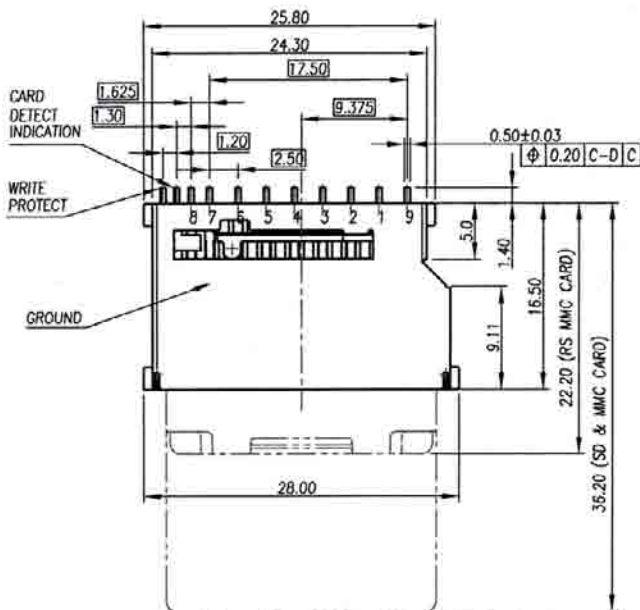
SD (SECURE DIGITAL) 9 PIN CARD CONNECTOR SHORT TYPE

SPECIFICATION:

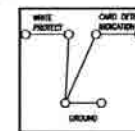
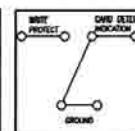
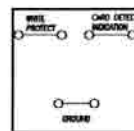
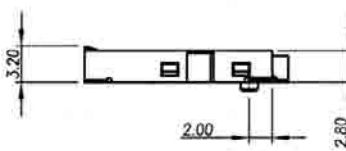
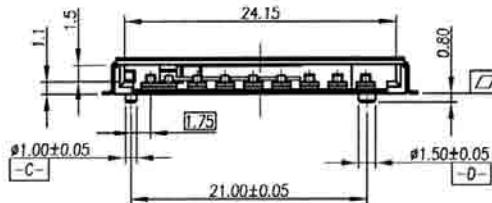
Withstanding Voltage: 500V AC Max for 1 Min
 Insulation R.: 1000MΩ
 Voltage Rating: 250V AC
 Current Rating: 0.5A AC/DC Max.
 Contact R.: 40mΩ Max.
 Operating Temperature: -25°C ~ +85°C
 Insertion Cycles: 10000 Times
 * RoHS & REACH compliant.

MATERIAL:

Contact: Phosphor Bronze
 Cover: Brass, Nickle Plating for all
 Housing: LCP, Glass Fiber



Recommended P.C. Board Layout
(COMPONENT SIDE)



WITHOUT CARD

CARD INSERTED
WRITE PROTECT : LOCK

CARD INSERTED
WRITE PROTECT : UNLOCK

ORDERING INFORMATION:

P/N M C D - 6 2 8 S D $\frac{x}{1} - \frac{x}{2}$

- CONTACT FINISH:
 "05" 5 MICROINCH GOLD
 "10" 10 MICROINCH GOLD
 "15" 15 MICROINCH GOLD
- PACKAGE OPTION:
 "0" TRAY
 "R" TAPE & REEL

SD (SECURE DIGITAL) 9 PIN CONNECTOR REVERSE MOUNT TYPE

SPECIFICATION:

Withstanding Voltage: 500V AC Max for 1 Min

Insulation R.: 1000M Ω

Voltage Rating: 250V AC

Current Rating: 0.5A AC/DC Max.

Contact R.: 40m Ω Max.

Operating Temperature: -25 $^{\circ}$ C ~ +85 $^{\circ}$ C

Insertion Cycles: 10000 Times

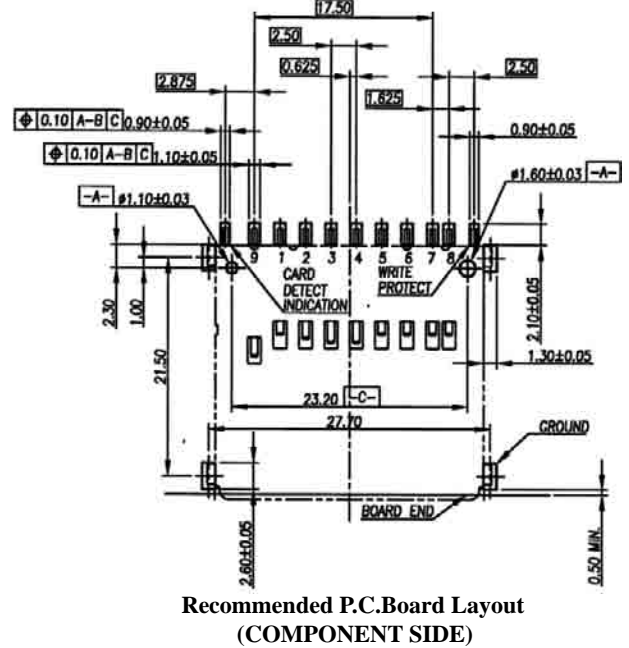
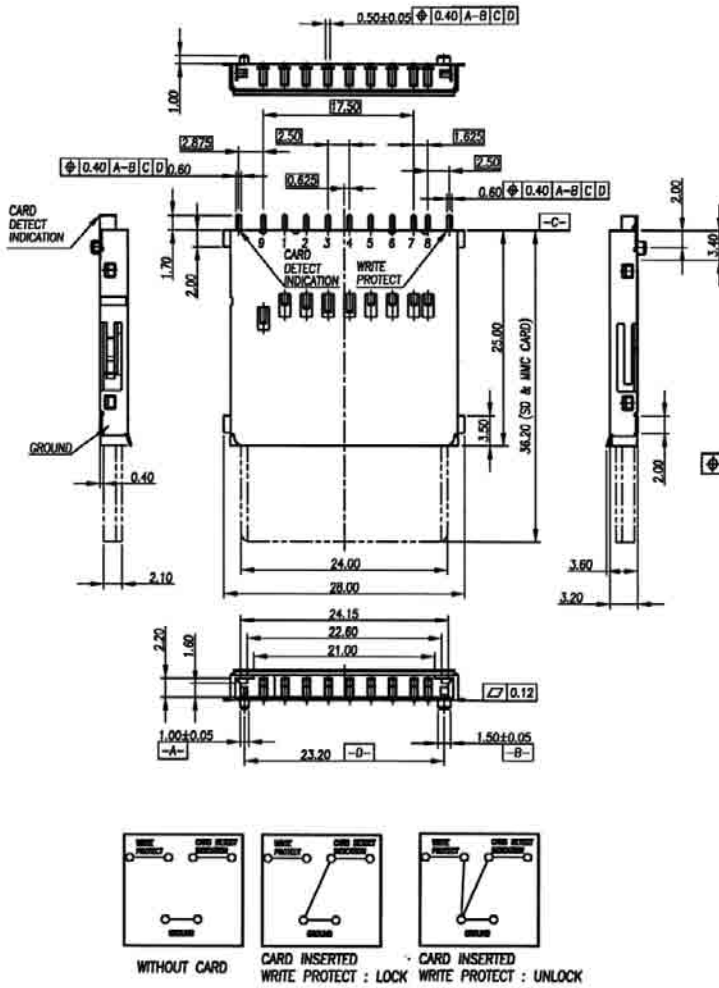
* RoHS & REACH compliant.

MATERIAL:

Contact: Phosphor Bronze

Cover: Brass, Nickle Plating for all

Housing: LCP, Glass Fiber



ORDERING INFORMATION:

P/N M C D - 6 2 9 S D $\frac{x}{1}$ - $\frac{x}{2}$

- CONTACT FINISH:
"05" 5 MICROINCH GOLD
"10" 10 MICROINCH GOLD
"15" 15 MICROINCH GOLD
- PACKAGE OPTION:
"0" TRAY
"R" TAPE & REEL

SD (SECURE DIGITAL) 9 PIN CARD CONNECTOR STAND OFF 2.0MM REVERSE MOUNT TYPE

SPECIFICATION:

Withstanding Voltage: 500V AC Max for 1 Min

Insulation R.: 1000M Ω

Voltage Rating: 250V AC

Current Rating: 0.5A AC/DC Max.

Contact R.: 40m Ω Max.

Operating Temperature: -25 $^{\circ}$ c ~ +85 $^{\circ}$ c

Insertion Cycles: 10000 Times

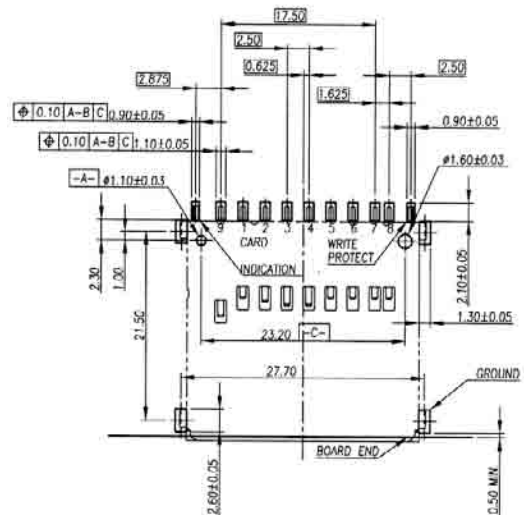
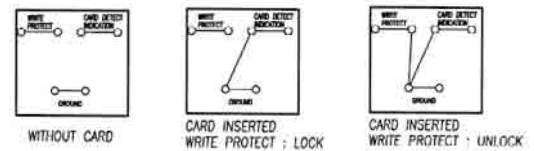
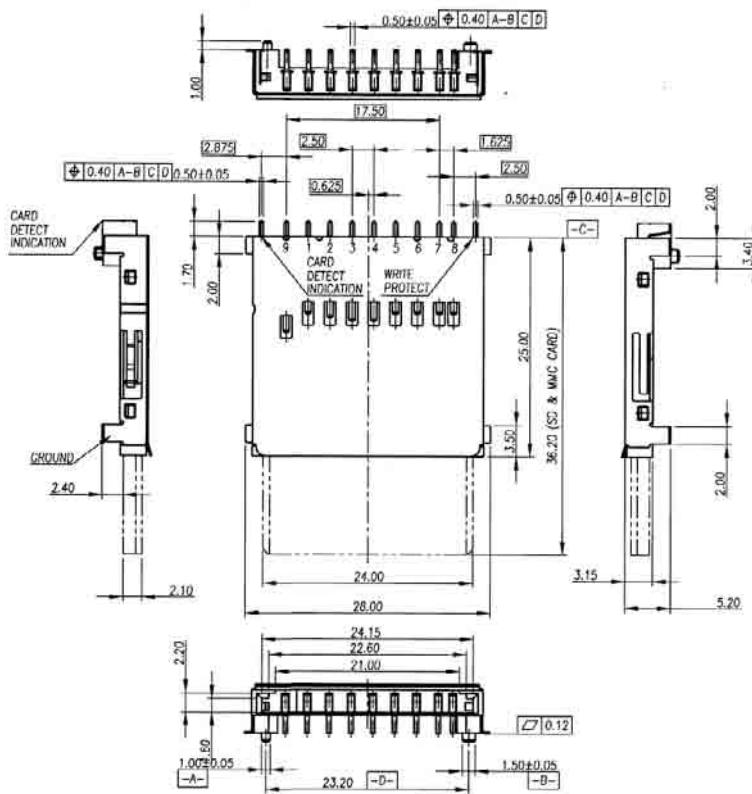
* RoHS & REACH compliant.

MATERIAL:

Contact: Phosphor Bronze

Cover: Brass, Nickle Plating for all

Housing: LCP, Glass Fiber



Recommended P.C.Board Layout
(COMPONENT SIDE)

ORDERING INFORMATION:

P/N MCD - 630SD $\frac{x}{1} \frac{x}{2}$

- CONTACT FINISH:
"05" 5 MICROINCH GOLD
"10" 10 MICROINCH GOLD
"15" 15 MICROINCH GOLD
- PACKAGE OPTION:
"0" TRAY
"R" TAPE & REEL

SD (SECURE DIGITAL) 9 PIN CARD CONNECTOR REVERSE MOUNT TYPE

SPECIFICATION:

Withstanding Voltage: 500V AC Max for 1 Min

Insulation R.: 1000M Ω

Voltage Rating: 250V AC

Current Rating: 0.5A AC/DC Max.

Contact R.: 40m Ω Max.

Operating Temperature: -25 $^{\circ}$ c ~ +85 $^{\circ}$ c

Insertion Cycles: 10000 Times

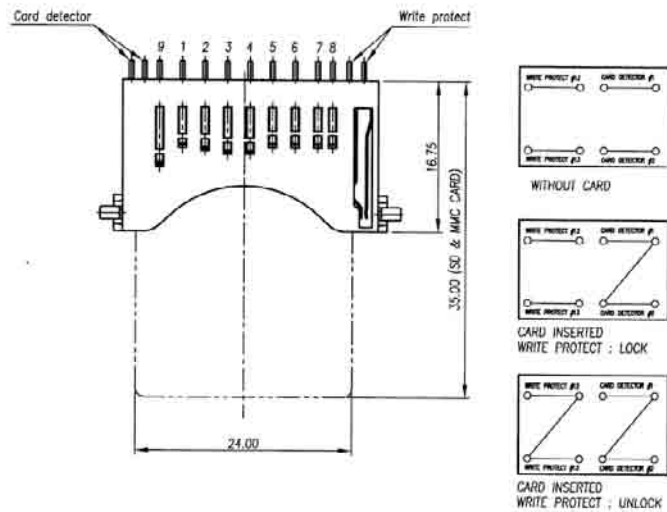
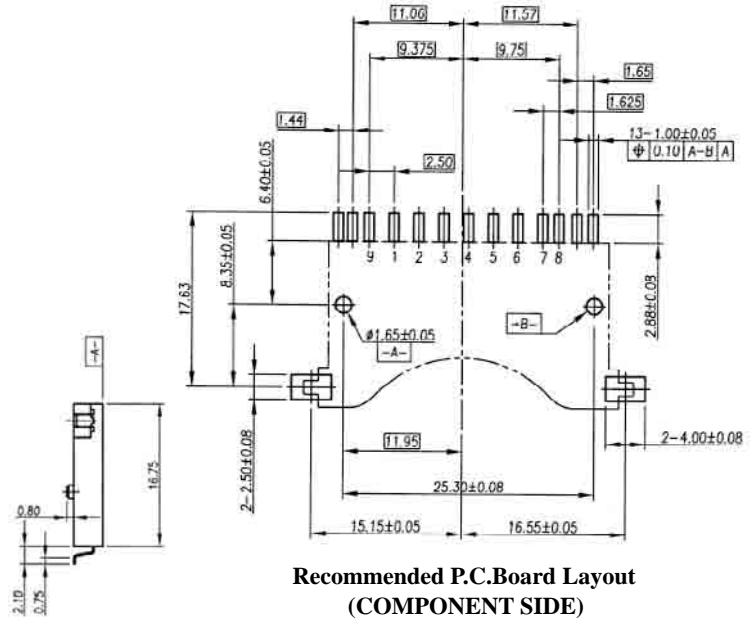
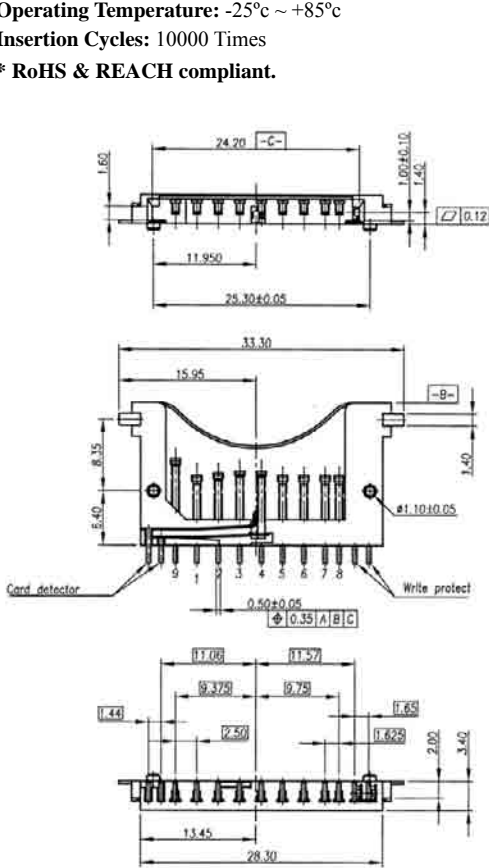
* RoHS & REACH compliant.

MATERIAL:

Contact: Phosphor Bronze

Cover: Brass, Nickle Plating for all

Housing: LCP, Glass Fiber



ORDERING INFORMATION:

P/N M C D - 6 3 1 S D $\frac{x}{1}$ - $\frac{x}{2}$

- CONTACT FINISH:
 "05" 5 MICROINCH GOLD
 "10" 10 MICROINCH GOLD
 "15" 15 MICROINCH GOLD
- PACKAGE OPTION:
 "0" TRAY
 "R" TAPE & REEL

SD (SECURE DIGITAL) 9 PIN CARD CONNECTOR REVERSE MOUNT PUSH-PUSH TYPE

SPECIFICATION:

Withstanding Voltage: 500V AC Max for 1 Min

Insulation R.: 1000M Ω

Voltage Rating: 250V AC

Current Rating: 0.5A AC/DC Max.

Contact R.: 40m Ω Max.

Operating Temperature: -25 $^{\circ}$ C ~ +85 $^{\circ}$ C

Insertion Cycles: 10000 Times

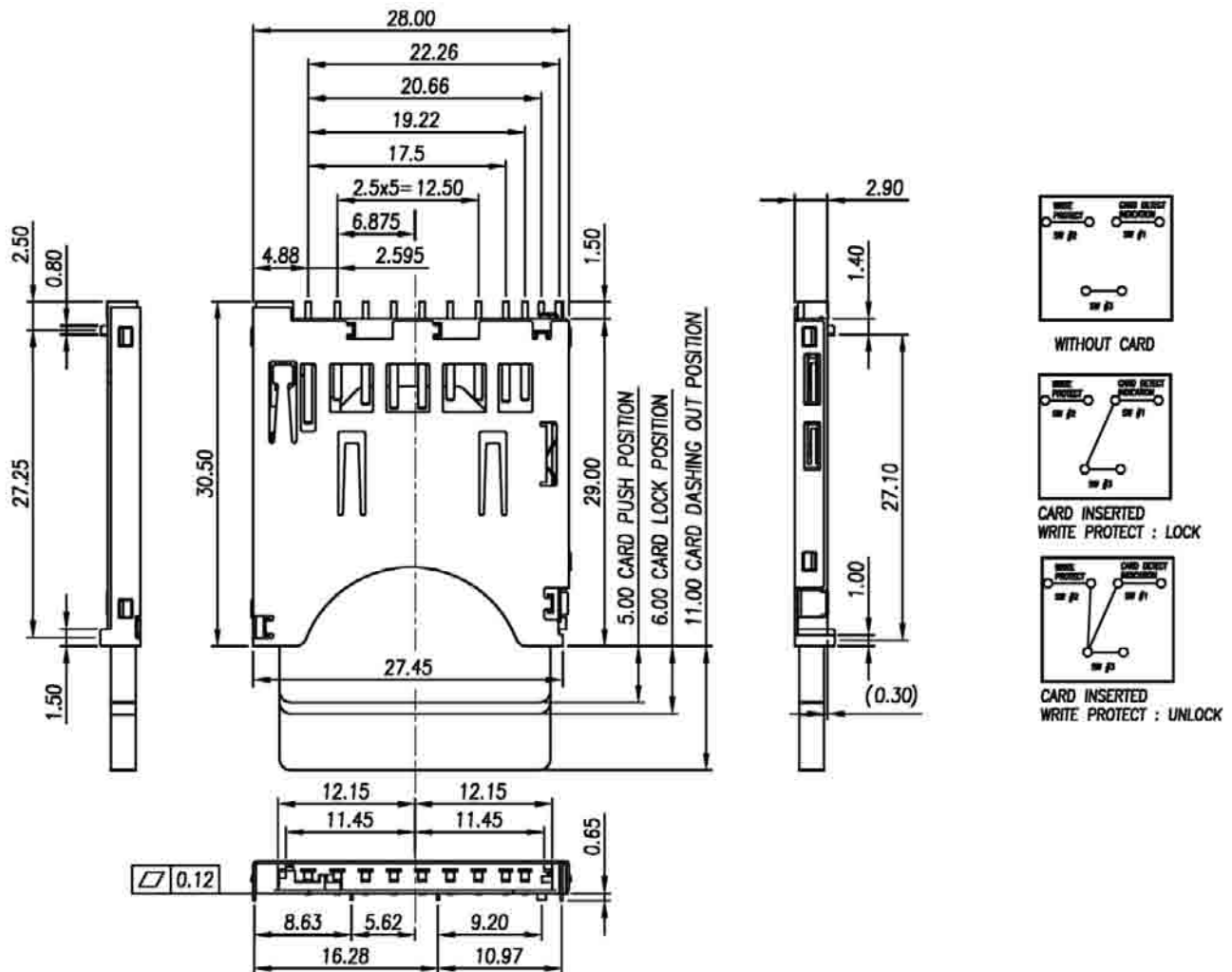
* RoHS & REACH compliant.

MATERIAL:

Contact: Phosphor Bronze

Cover: Brass, Nickle Plating for all

Housing: LCP, Glass Fiber



ORDERING INFORMATION:

P/N M C D - 6 3 7 S D $\frac{x}{1} - \frac{x}{2}$

1. CONTACT FINISH:

- "05" 5 MICROINCH GOLD
- "10" 10 MICROINCH GOLD
- "15" 15 MICROINCH GOLD

2. PACKAGE OPTION:

- "0" TRAY
- "R" TAPE & REEL

SD (SECURE DIGITAL) 9 PIN CARD CONNECTOR STAND OFF 2.0MM PUSH-PUSH TYPE WITH BIG SWITCH#3

SPECIFICATION:

Withstanding Voltage: 500V AC Max for 1 Min

Insulation R.: 1000MΩ

Voltage Rating: 250V AC

Current Rating: 0.5A AC/DC Max.

Contact R.: 40mΩ Max.

Operating Temperature: -25°C ~ +85°C

Insertion Cycles: 10000 Times

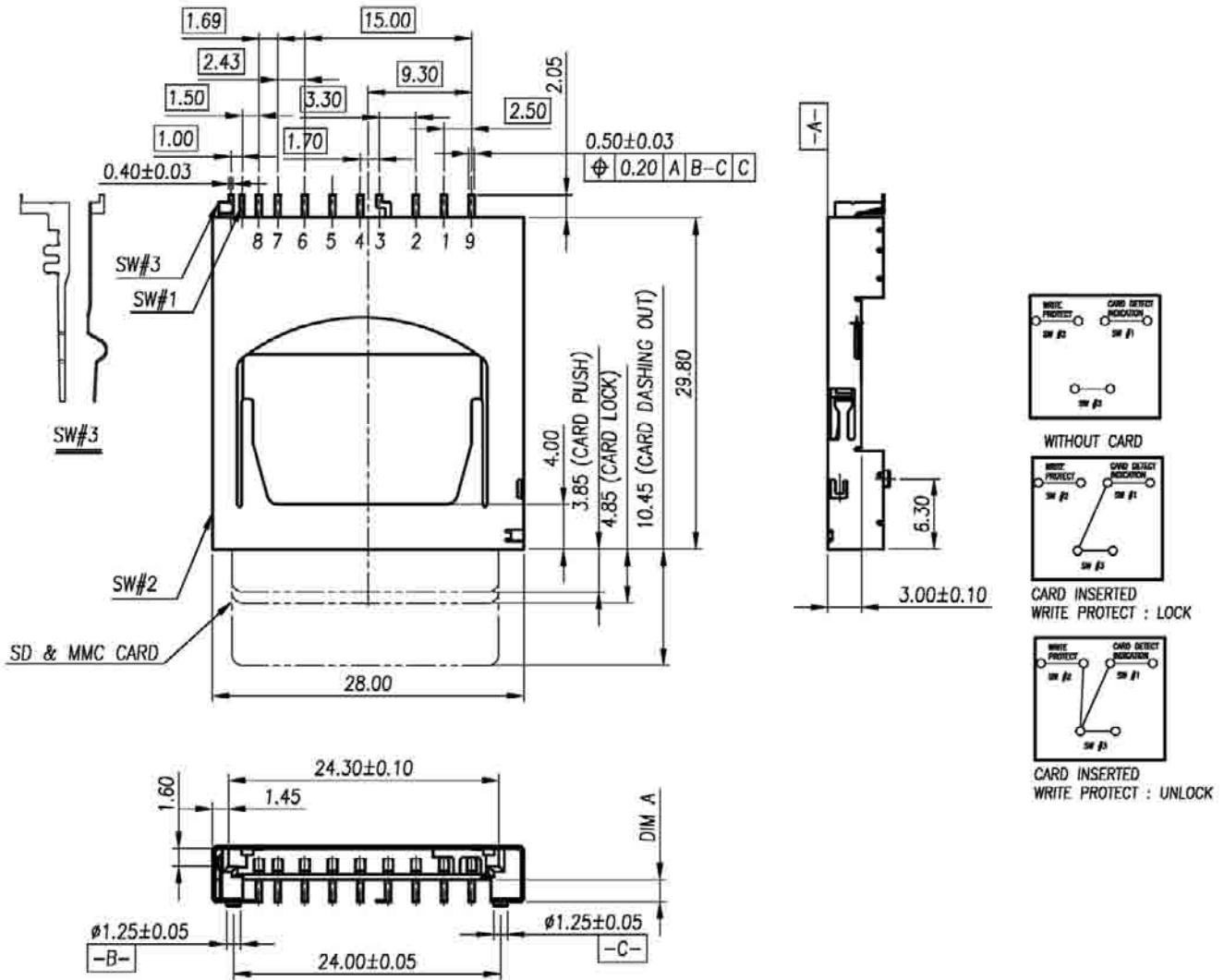
* RoHS & REACH compliant.

MATERIAL:

Contact: Phosphor Bronze

Cover: Brass, Nickle Plating for all

Housing: LCP, Glass Fiber



ORDERING INFORMATION:

P/N M C D - 6 3 8 S D $\frac{x}{1} - \frac{x}{2}$

- CONTACT FINISH:
 - "05" 5 MICROINCH GOLD
 - "10" 10 MICROINCH GOLD
 - "15" 15 MICROINCH GOLD
- PACKAGE OPTION:
 - "0" TRAY
 - "R" TAPE & REEL

SD (SECURE DIGITAL) 13 PIN CARD CONNECTOR SHORT TYPE

SPECIFICATION:

Withstanding Voltage: 500V AC Max for 1 Min

Insulation R.: 1000MΩ

Voltage Rating: 500V AC

Current Rating: 0.5AMP Max.

Contact R.: 60mΩ Max.

Operating Temperature: -25°C ~ +85°C

* RoHS & REACH compliant.

MATERIAL:

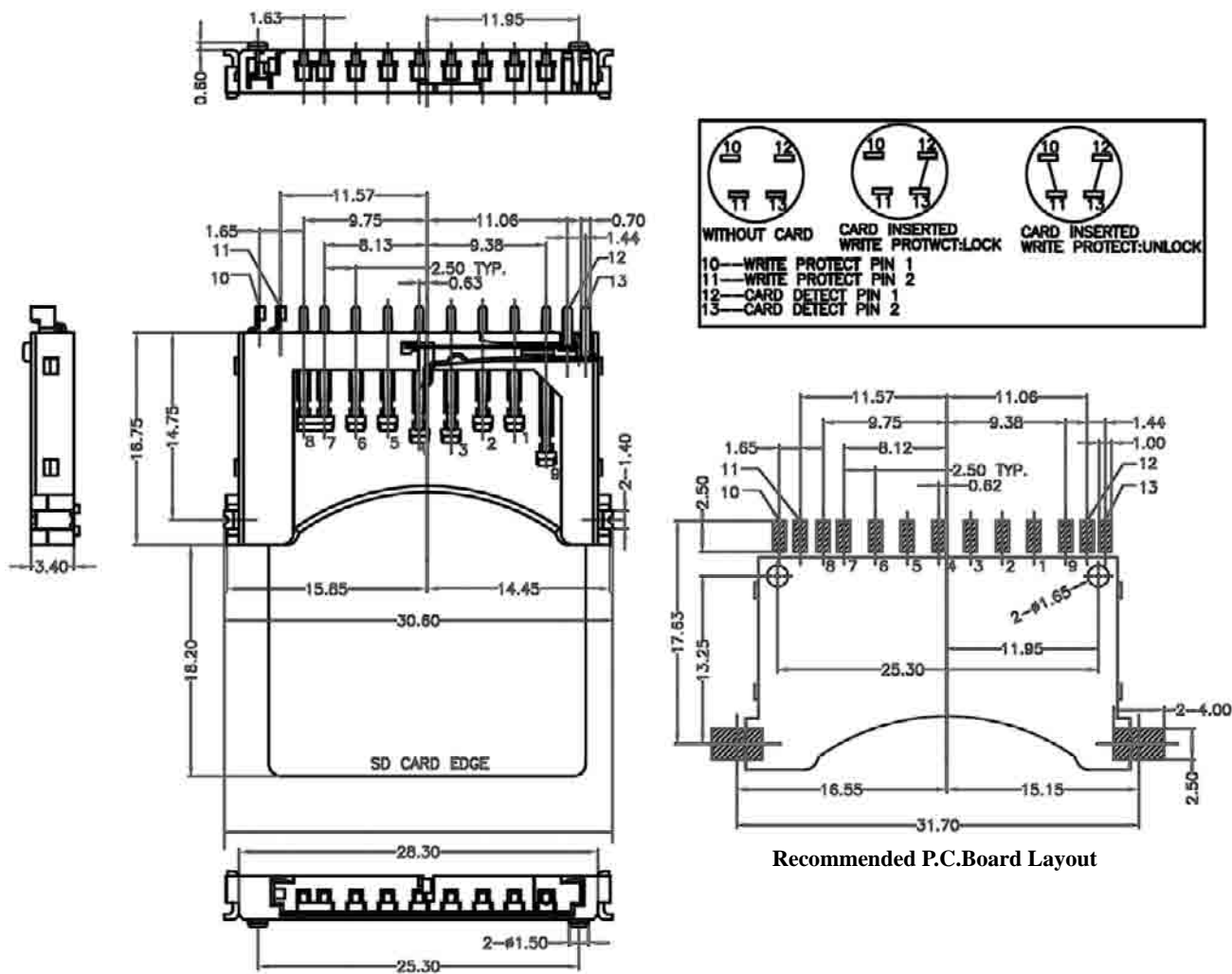
Terminal: Copper Alloy, Gold Plated On

Contact Area Tin Plating On

Solder Tail

Housing: Hi-Temp. Plastic(UL 94V-0)

* RoHS & REACH compliant.



ORDERING INFORMATION:

P/N M C D - 6 E 1 S D $\frac{X}{1} \frac{X}{2} - 0$

1. CONTACT FINISH:

"01" GOLD FLASH

"05" 5 MICROINCH GOLD

"10" 10 MICROINCH GOLD

"15" 15 MICROINCH GOLD

"30" 30 MICROINCH GOLD

2. PACKAGE OPTION:

"0" TRAY

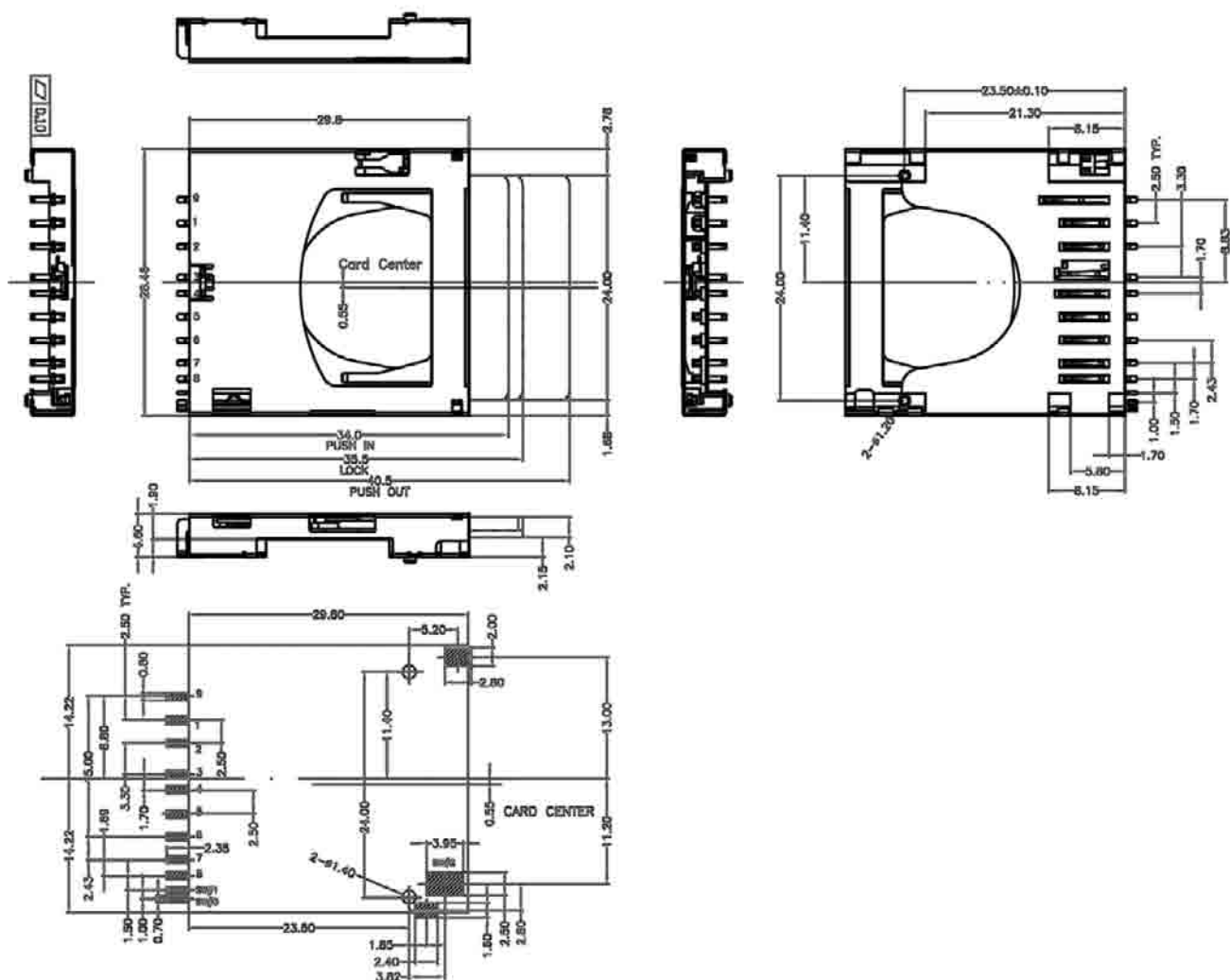
SD (SECURE DIGITAL) 9 PIN CARD CONNECTOR STAND OFF 1.9MM PUSH-PUSH TYPE

SPECIFICATION:

Withstanding Voltage: 500V AC Max for 1 Min
Insulation R.: 1000MΩ
Current Rating: 0.5AMP Max.
Contact R.: 60mΩ Max.
Operating Temperature: -25°C ~ +85°C

MATERIAL:

Terminal: Copper Alloy, Gold Plated On
Contact Area Tin Plating On
Solder Tail
Housing: Hi-Temp. Plastic(UL 94V-0)
Shell: Stainless Steel
* RoHS & REACH compliant.



Recommended P.C.Board Layout

ORDERING INFORMATION:

P/N M C D - 6 E 2 S D $\frac{x}{1} \frac{x}{2}$

- CONTACT FINISH:
"01" GOLD FLASH
"05" 5 MICROINCH GOLD
"10" 10 MICROINCH GOLD
"15" 15 MICROINCH GOLD
"30" 30 MICROINCH GOLD
- PACKAGE OPTION:
"0" TRAY
"R" TAPE & REEL

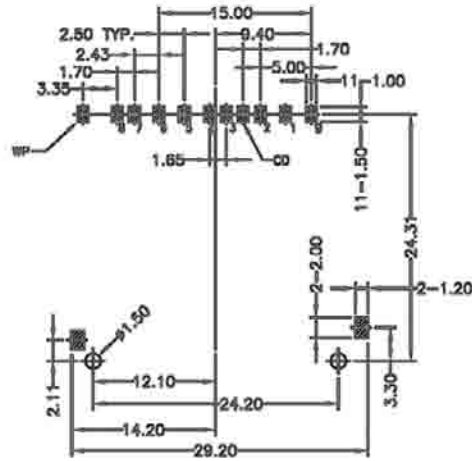
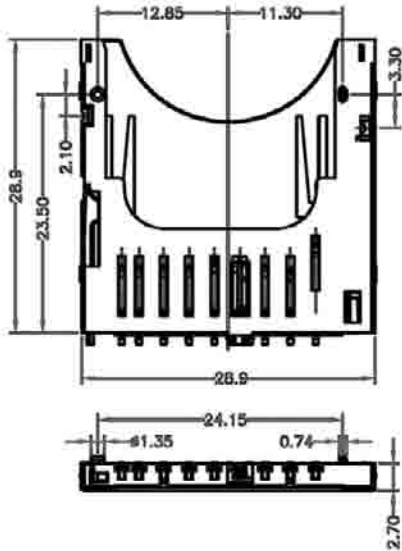
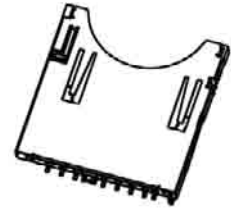
SD (SECURE DIGITAL) 11 PIN CARD CONNECTOR PUSH-PUSH TYPE

SPECIFICATION:

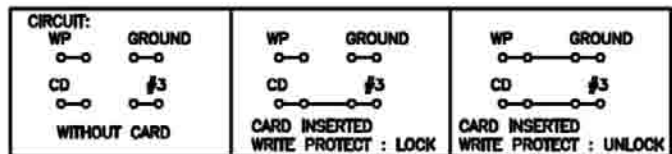
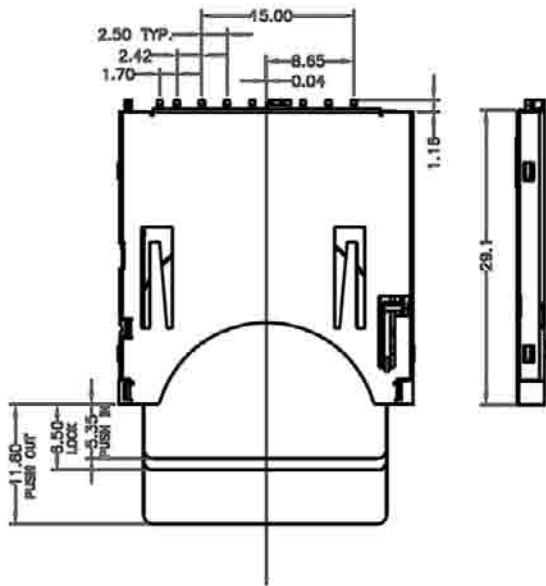
Withstanding Voltage: 500V AC Max for 1 Min
 Insulation R.: 1000MΩ
 Current Rating: 0.5AMP Max.
 Contact R.: 60mΩ Max.
 Operating Temperature: -25°C ~ +85°C

MATERIAL:

Terminal: Copper Alloy, Gold Plated On
 Contact Area Tin Plating On
 Solder Tail
 Housing: Hi-Temp. Plastic(UL 94V-0)
 Shell: Stainless Steel, Nickel Plating
 * RoHS & REACH compliant.



Recommended P.C.Board Layout



ORDERING INFORMATION:

P/N M C D - 6 E 3 S D $\frac{x}{1} - \frac{x}{2}$

- CONTACT FINISH:
 "01" GOLD FLASH
 "15" 15 MICROINCH GOLD
 "30" 30 MICROINCH GOLD
- PACKAGE OPTION:
 "0" TRAY

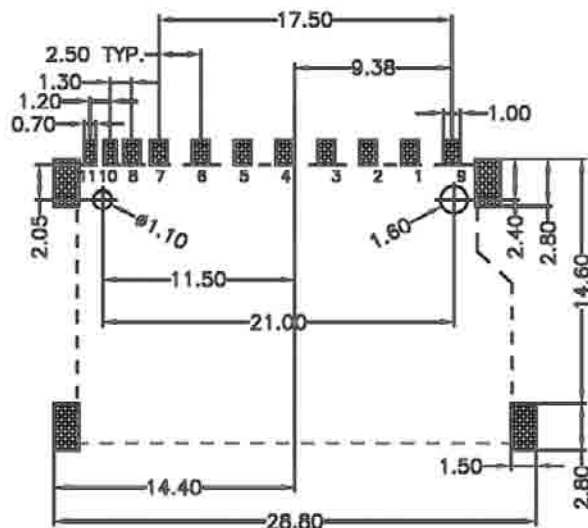
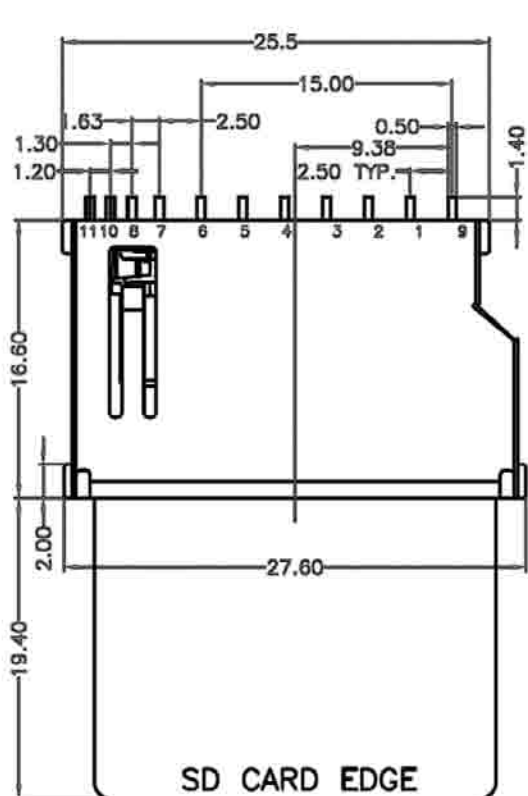
SD (SECURE DIGITAL) 11 PIN CARD CONNECTOR SHORT TYPE

SPECIFICATION:

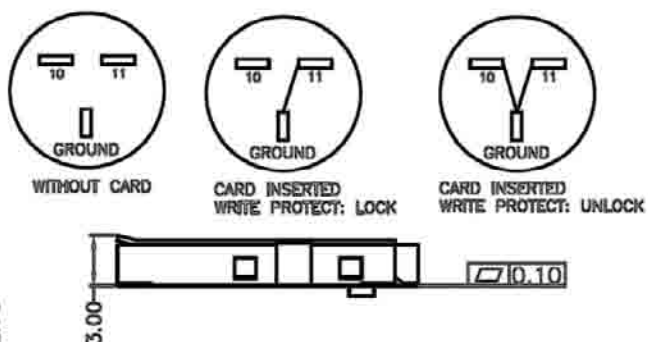
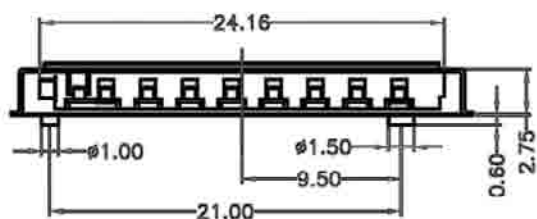
Withstanding Voltage: 500V AC Max for 1 Min
Insulation R.: 1000M Ω
Current Rating: 0.5AMP Max.
Contact R.: 60m Ω Max.
Operating Temperature: -25 $^{\circ}$ c ~ +85 $^{\circ}$ c

MATERIAL:

Terminal: Copper Alloy, Brass,
 Gold Plated On Contact Area
 Tin Plating On Solder Tail
Housing: Hi-Temp. Plastic(UL 94V-0)
Shell: Copper Alloy, Nickel Plating
 * RoHS & REACH compliant.



Recommended P.C.Board Layout



ORDERING INFORMATION:

P/N M C D - 6 E 4 S D $\frac{x}{1} \frac{x}{2}$

1. CONTACT FINISH:
 "01" GOLD FLASH
 "15" 15 MICROINCH GOLD
 "30" 30 MICROINCH GOLD
2. PACKAGE OPTION:
 "0" TRAY
 "R" TAPE & REEL

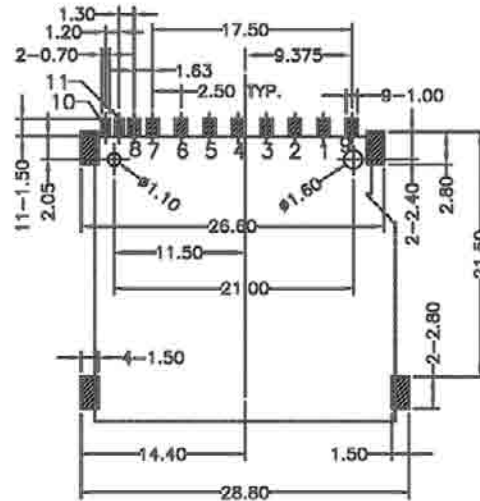
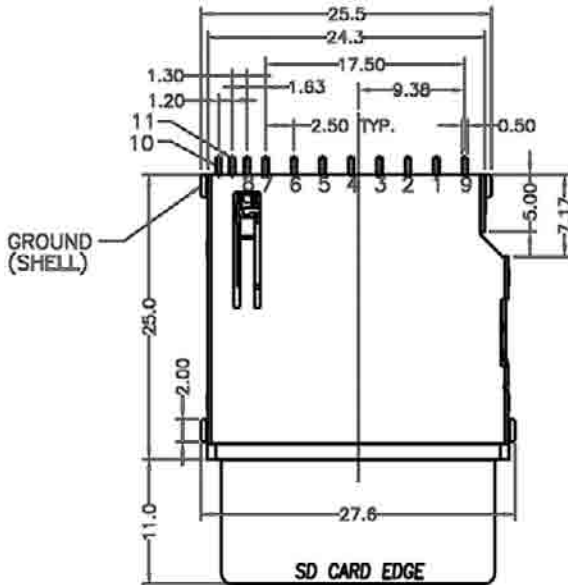
SD (SECURE DIGITAL) 11 PIN CARD CONNECTOR

SPECIFICATION:

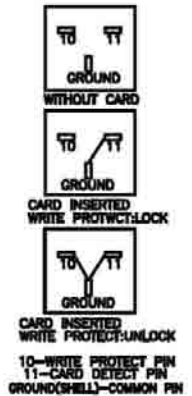
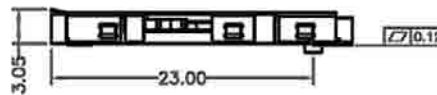
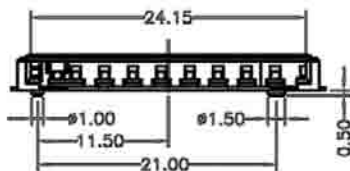
Withstanding Voltage: 500V AC Max for 1 Min
Insulation R.: 1000MΩ
Current Rating: 0.5AMP Max.
Contact R.: 60mΩ Max.
Operating Temperature: -25°C ~ +85°C

MATERIAL:

Terminal: Copper Alloy, Gold Plated On
 Contact Area Tin Plating On
 Solder Tail
Housing: Hi-Temp. Plastic (UL 94V-0)
Shell: Copper Alloy, Nickel Plating
 * RoHS & REACH compliant.



Recommended P.C. Board Layout



ORDERING INFORMATION:

P/N M C D - 6 E 5 S D $\frac{x}{1} \frac{x}{2}$

1. CONTACT FINISH:
 "01" GOLD FLASH
 "15" 15 MICROINCH GOLD
 "30" 30 MICROINCH GOLD
2. PACKAGE OPTION:
 "0" TRAY

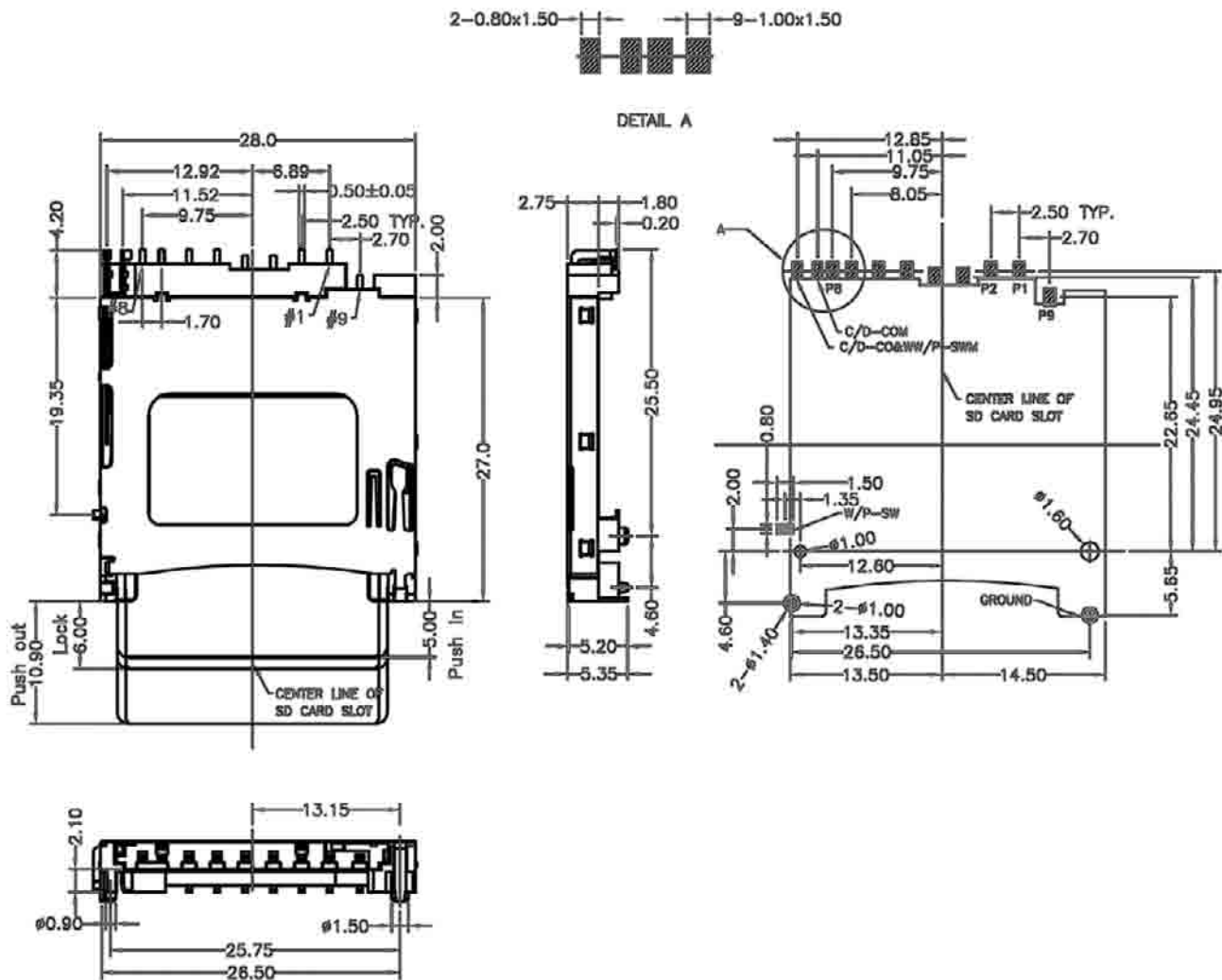
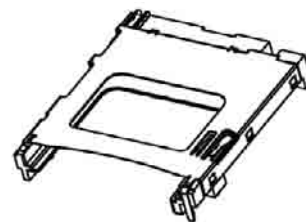
SD (SECURE DIGITAL) 12 PIN CARD CONNECTOR PUSH - PUSH TYPE H=4.55MM

SPECIFICATION:

Withstanding Voltage: 500V AC Max for 1 Min
 Insulation R.: 1000MΩ
 Current Rating: 0.5AMP Max.
 Contact R.: 60mΩ Max.
 Operating Temperature: -25°C ~ +85°C
 * RoHS & REACH compliant.

MATERIAL:

Terminal: Copper Alloy
 Housing: Hi-Temp. Plastic(UL 94V-0)
 Shell: Stainless Steel
 * RoHS & REACH compliant.



ORDERING INFORMATION:

P/N M C D - 6 E 6 S D $\frac{x}{1} \frac{x}{2}$

1. CONTACT FINISH:
 "01" GOLD FLASH
 "15" 15 MICROINCH GOLD
 "30" 30 MICROINCH GOLD
2. PACKAGE OPTION:
 "0" TRAY

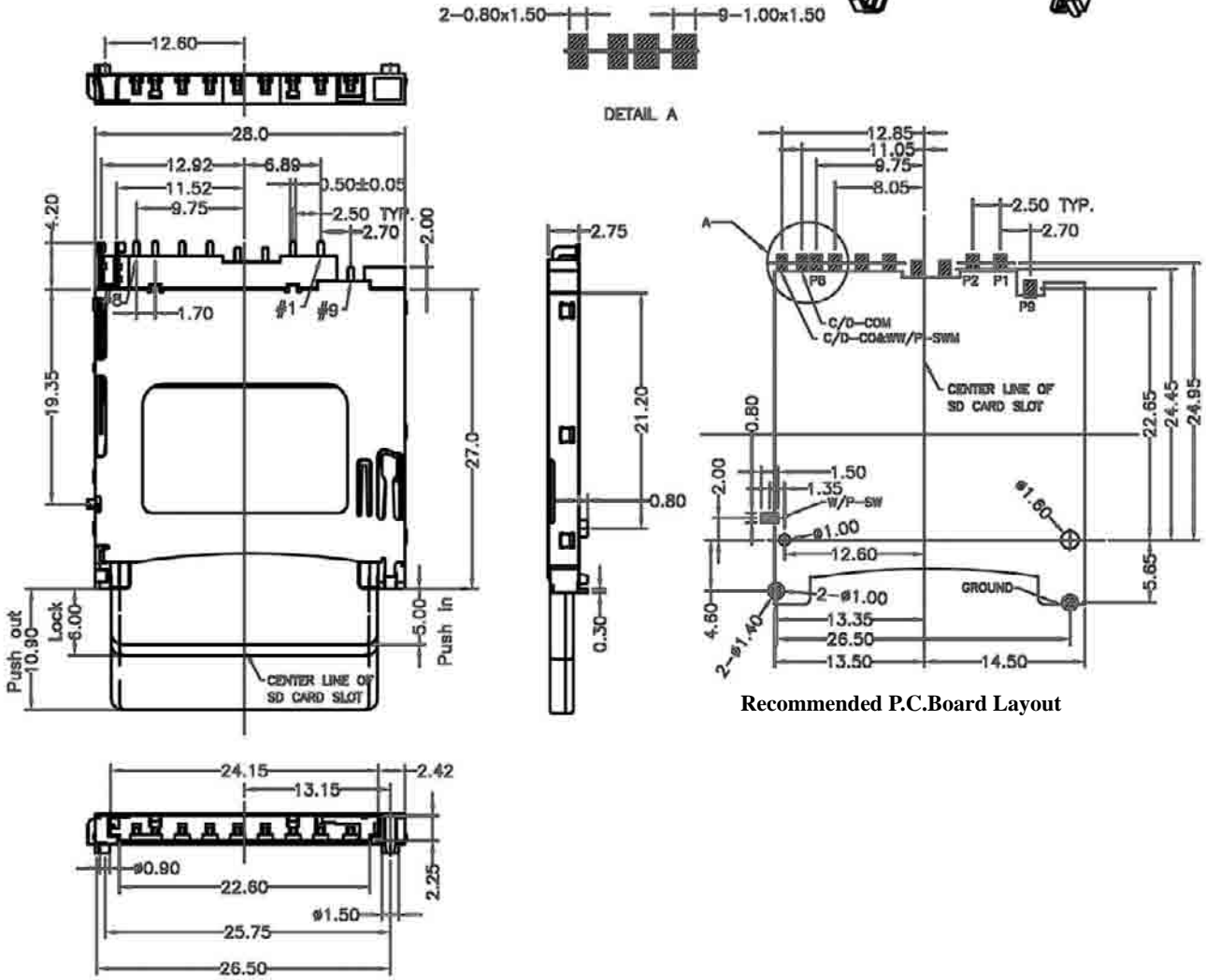
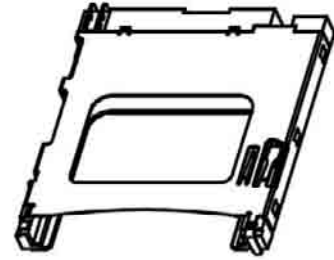
SD (SECURE DIGITAL) 12 PIN CARD CONNECTOR PUSH - PUSH TYPE

SPECIFICATION:

Withstanding Voltage: 500V AC Max for 1 Min
 Insulation R.: 1000MΩ
 Current Rating: 0.5AMP Max.
 Contact R.: 60mΩ Max.
 Operating Temperature: -25°C ~ +85°C

MATERIAL:

Terminal: Copper Alloy
 Housing: Hi-Temp. Plastic(UL 94V-0)
 Shell: Stainless Steel
 * RoHS & REACH compliant.



ORDERING INFORMATION:

P/N M C D - 6 E 7 S D $\frac{x}{1} \frac{x}{2}$

- CONTACT FINISH:
 "01" GOLD FLASH
 "15" 15 MICROINCH GOLD
 "30" 30 MICROINCH GOLD
- PACKAGE OPTION:
 "0" TRAY

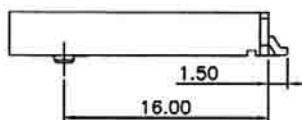
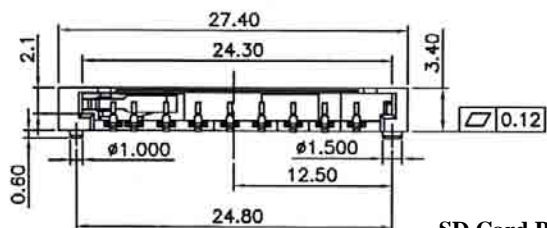
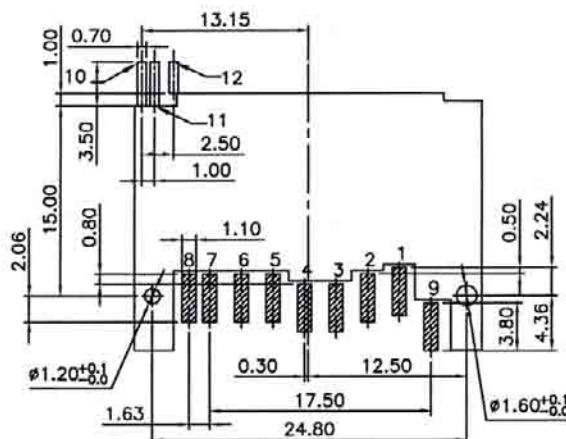
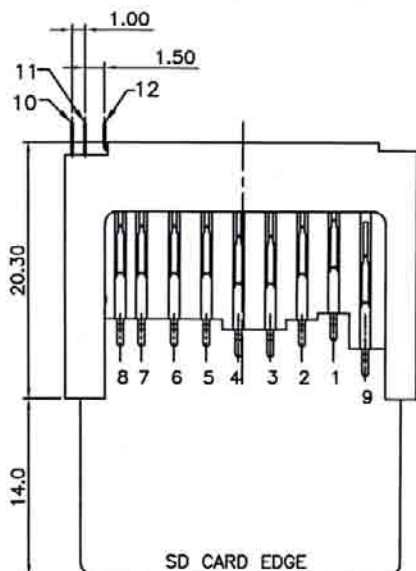
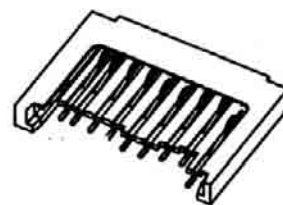
SD (SECURE DIGITAL) 9 PIN CARD CONNECTOR NORMAL SHORT TYPE

SPECIFICATION:

Withstanding Voltage: 500V AC/Minute
 Insulation R.: 1000MΩ min.
 Current Rating: 0.5AMP
 Contact R.: 100mΩ Max.
 Operating Temperature: -25°C ~ +85°C

MATERIAL:

Insulator: LCP(UL 94V-0)
 Contact: Copper Alloy
 Contact Plated: Selective Gold Plated(standard)
 Shell: Copper Alloy With Nickel Plated
 * RoHS & REACH compliant.



SD Card Pin Design

Pin No	Name	Description
1#	CD/DAT3	Card detect/Data I/O
2#	CMD	Command
3#	VSS1	Ground
4#	VDD	Power
5#	CLK	Clock
6#	VSS2	Ground
7#	DAT0	Data I/O
8#	DAT1	Data I/O
9#	DAT2	Data I/O

Card Detection		
Inserted Card Write Protect Lock	Inserted Card Write Protect Unlock	Without Card
10--Write Protect Pin 11--Common Pin 12--Card Detect Pin		

ORDERING INFORMATION:

P/N M C D - 6 E 8 S D $\frac{X}{1} \frac{X}{2}$

- CONTACT FINISH:
 - "01" GOLD FLASH
 - "03" 3 MICROINCH GOLD
 - "05" 5 MICROINCH GOLD
 - "10" 10 MICROINCH GOLD
 - "15" 15 MICROINCH GOLD
- PACKAGE OPTION:
 - "0" TRAY
 - "R" TAPE & REEL

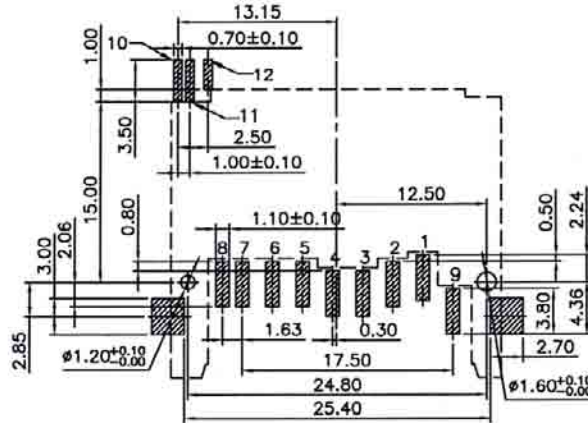
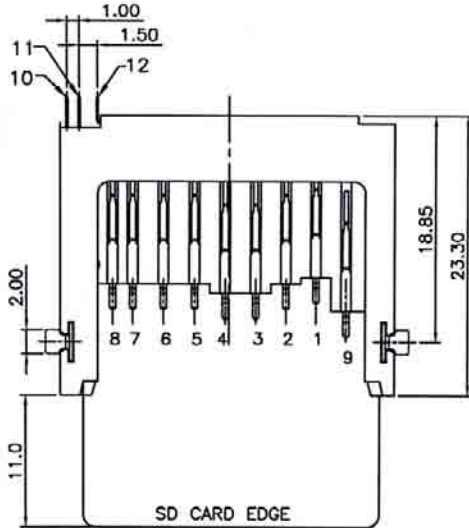
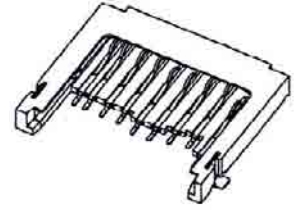
SD (SECURE DIGITAL) 9 PIN CARD CONNECTOR NORMAL TYPE

SPECIFICATION:

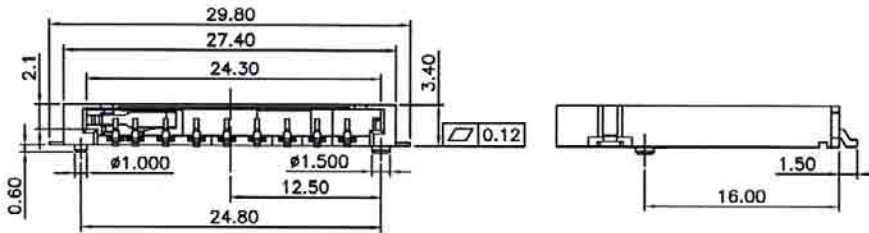
Withstanding Voltage: 500V AC/Minute
 Insulation R.: 1000MΩ min.
 Current Rating: 0.5AMP
 Contact R.: 100mΩ Max.
 Operating Temperature: -25°C ~ +85°C

MATERIAL:

Insulator: LCP(UL 94V-0)
 Contact: Copper Alloy
 Contact Plated: Selective Gold Plated(standard)
 Shell: Copper Alloy With Nickel Plated
 * RoHS & REACH compliant.



Recommended P.C.Board Layout



SD Card Pin Design

Pin No.	Name	Description
1#	CD/DAT3	Card detect/Data I/O
2#	CMD	Command
3#	VSS1	Ground
4#	VDD	Power
5#	CLK	Clock
6#	VSS2	Ground
7#	DAT0	Data I/O
8#	DAT1	Data I/O
9#	DAT2	Data I/O

Card Detecion		
Inserted Card Write Protect Lock	Inserted Card Write Protect Unlock	Without Card
10--Write Protect Pin 11--Common Pin 12--Card Detect Pin		

ORDERING INFORMATION:

P/N M C D - 6 E 9 S D $\frac{x}{1} \frac{x}{2}$

- CONTACT FINISH:
 - "01" GOLD FLASH
 - "03" 3 MICROINCH GOLD
 - "05" 5 MICROINCH GOLD
 - "10" 10 MICROINCH GOLD
 - "15" 15 MICROINCH GOLD
- PACKAGE OPTION:
 - "0" TRAY
 - "R" TAPE & REEL

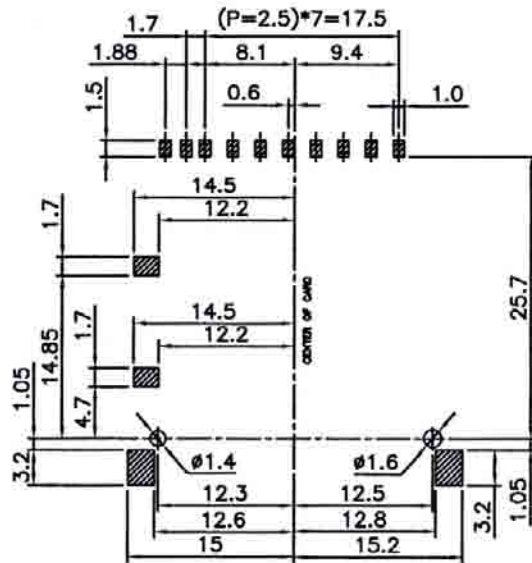
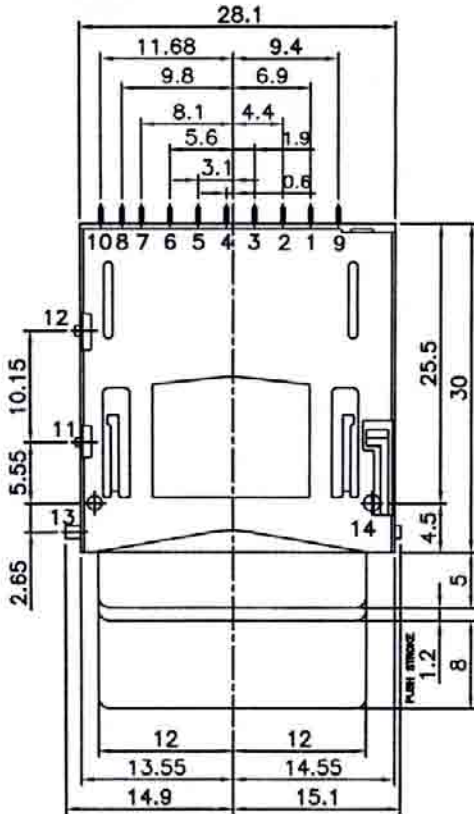
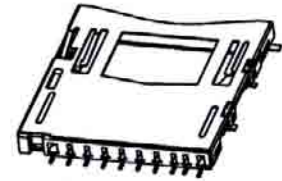
SD (SECURE DIGITAL) 14 PIN CARD CONNECTOR PUSH - PUSH TYPE

SPECIFICATION:

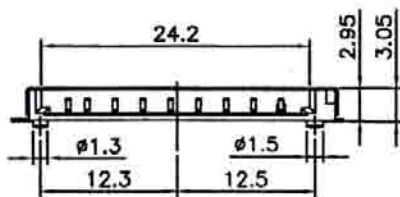
Withstanding Voltage: 500V AC/Minute
 Insulation R.: 1000MΩ min.
 Current Rating: 0.5AMP
 Contact R.: 100mΩ Max.
 Operating Temperature: -25°C ~ +85°C

MATERIAL:

Insulator: Hi-Temp. Plastic(UL 94V-0)
 Contact: Copper Alloy
 Contact Plated: Selective Gold Plated(standard)
 Shell: Copper Alloy With Nickel Plated
 * RoHS & REACH compliant.



Recommended P.C.Board Layout



PROTECT SWITCH	
PROTECTION LOCK	PROTECTION UNLOCK

CARD DETECTION	
WITHOUT CARD	CARD INSERTED

ORDERING INFORMATION:

P/N M C D - 6 F 1 S D $\frac{x}{1}$ - $\frac{x}{2}$

- CONTACT FINISH:
 - "01" GOLD FLASH
 - "03" 3 MICROINCH GOLD
 - "05" 5 MICROINCH GOLD
 - "10" 10 MICROINCH GOLD
 - "15" 15 MICROINCH GOLD
- PACKAGE OPTION:
 - "0" TRAY
 - "R" TAPE & REEL

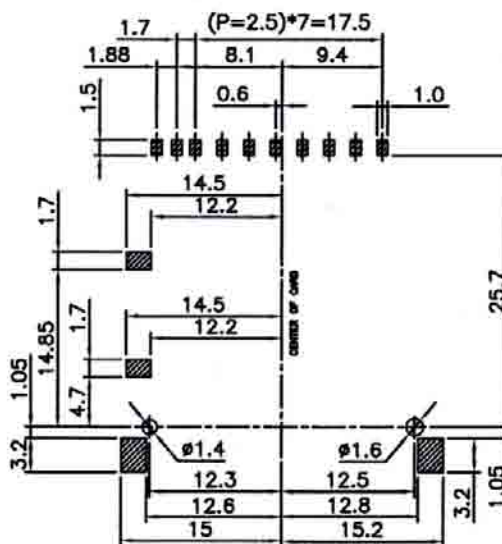
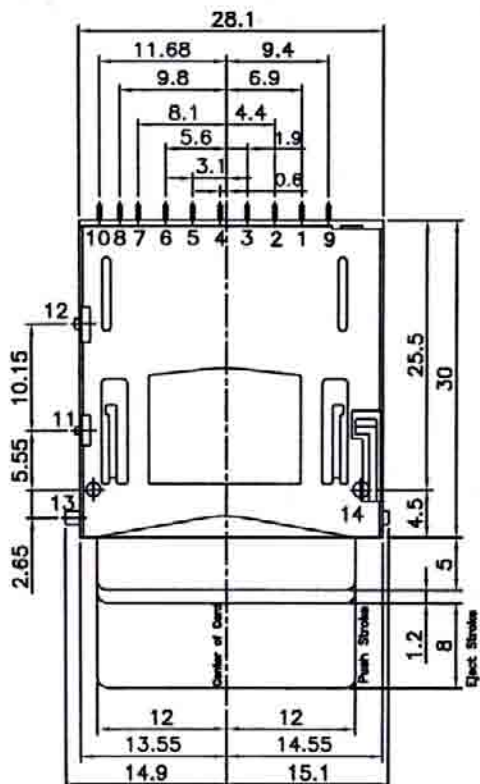
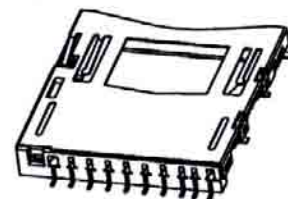
SD (SECURE DIGITAL) 14 PIN CARD CONNECTOR STAND OFF 2.0MM PUSH - PUSH TYPE

SPECIFICATION:

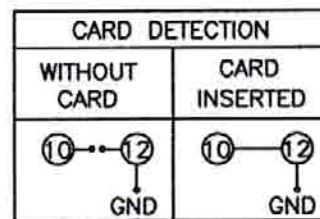
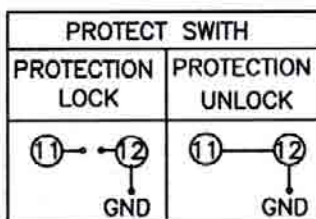
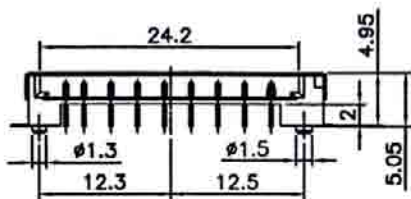
Withstanding Voltage: 500V AC/Minute
 Insulation R.: 1000MΩ min.
 Current Rating: 0.5AMP
 Contact R.: 100mΩ Max.
 Operating Temperature: -25°C ~ +85°C

MATERIAL:

Insulator: Hi-Temp. Plastic(UL 94V-0)
 Contact: Copper Alloy
 Contact Plated: Selective Gold Plated(standard)
 Shell: Copper Alloy With Nickel Plated
 * RoHS & REACH compliant.



Recommended P.C.Board Layout



ORDERING INFORMATION:

P/N M C D - 6 F 2 S D $\frac{x}{1}$ - $\frac{x}{2}$

- CONTACT FINISH:
 - "01" GOLD FLASH
 - "03" 3 MICROINCH GOLD
 - "05" 5 MICROINCH GOLD
 - "10" 10 MICROINCH GOLD
 - "15" 15 MICROINCH GOLD
- PACKAGE OPTION:
 - "0" TRAY
 - "R" TAPE & REEL

SD (SECURE DIGITAL) 9 PIN CARD CONNECTOR PUSH - PUSH TYPE

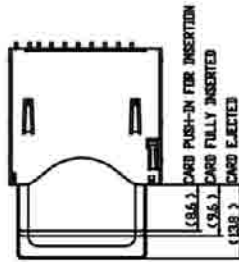
SPECIFICATION:

Withstanding Voltage: 500V AC/Minute
 Insulation R.: 1000MΩ min.
 Current Rating: 0.5AMP
 Contact R.: 100mΩ Max.
 Operating Temperature: -25°C ~ +85°C

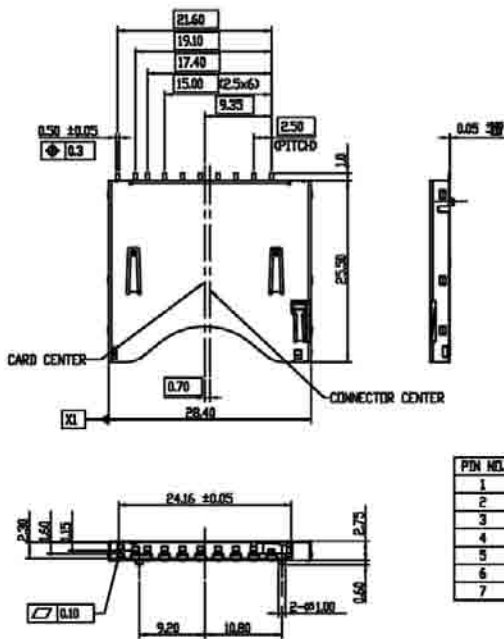
MATERIAL:

Insulator: Hi-Temp. Plastic(UL 94V-0)
 Contact: Copper Alloy
 Contact Plated: Selective Gold Plated(standard)
 Shell: Copper Alloy With Nickel Plated
 * RoHS & REACH compliant.

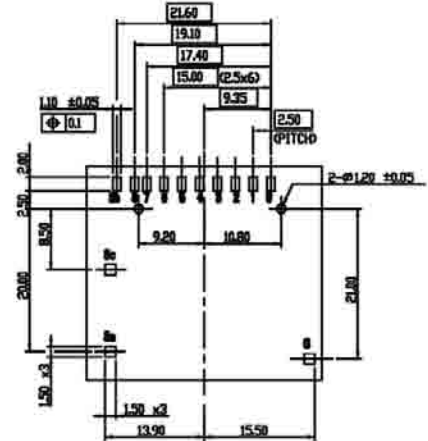
Card detection switch		Write protection switch			
When card is ejected	When card is inserted	When card is ejected	When card is inserted		
OPEN	CLOSE	OPEN	Write protect	Write enable	
Sp Sc	Sp Sc	Sp Sc	Sp Sc	Sp Sc	



ITEM	PART NAME	QTY	MATERIAL	FINISH
1	BODY	1	LCP	
2	SLIDER	1	LCP	
3	CONTACT	1	C9210R-EH	GOLD 10μ
4	SWITCH A	1	C9210R-EH	GOLD FLASH
5	SWITCH C	1	C9210R-EH	GOLD FLASH
6	HOLD DOWN	1	C9191R-H	GOLD FLASH
7	SHELL	1	SUS304R-3/4H	
8	DRAG LINK	1	SUS	
9	SPRING	1	PLANO WIRE	



PIN NO.	PIN ASSIGNMENT	PIN NO.	PIN ASSIGNMENT
1	DAT3/CS/CD	8	DAT1
2	CMD	9	DAT2
3	VSS1	Sp	WRITE PROTECTION
4	VDD	Sp	CARD DETECTION
5	CLK	Sc	COMMON SWITCH
6	VSS2	G	GROUND
7	DAT0		



Recommended P.C.Board Layout

ORDERING INFORMATION:

P/N M C D - 6 F 3 S D $\frac{x}{1}$ - $\frac{x}{2}$

- CONTACT FINISH:
 "01" GOLD FLASH
 "10" 10 MICROINCH GOLD
- PACKAGE OPTION:
 "0" TRAY
 "R" TAPE & REEL

SD (SECURE DIGITAL) 9 PIN CARD CONNECTOR STAND OFF 1.8MM PUSH - PUSH TYPE

SPECIFICATION:

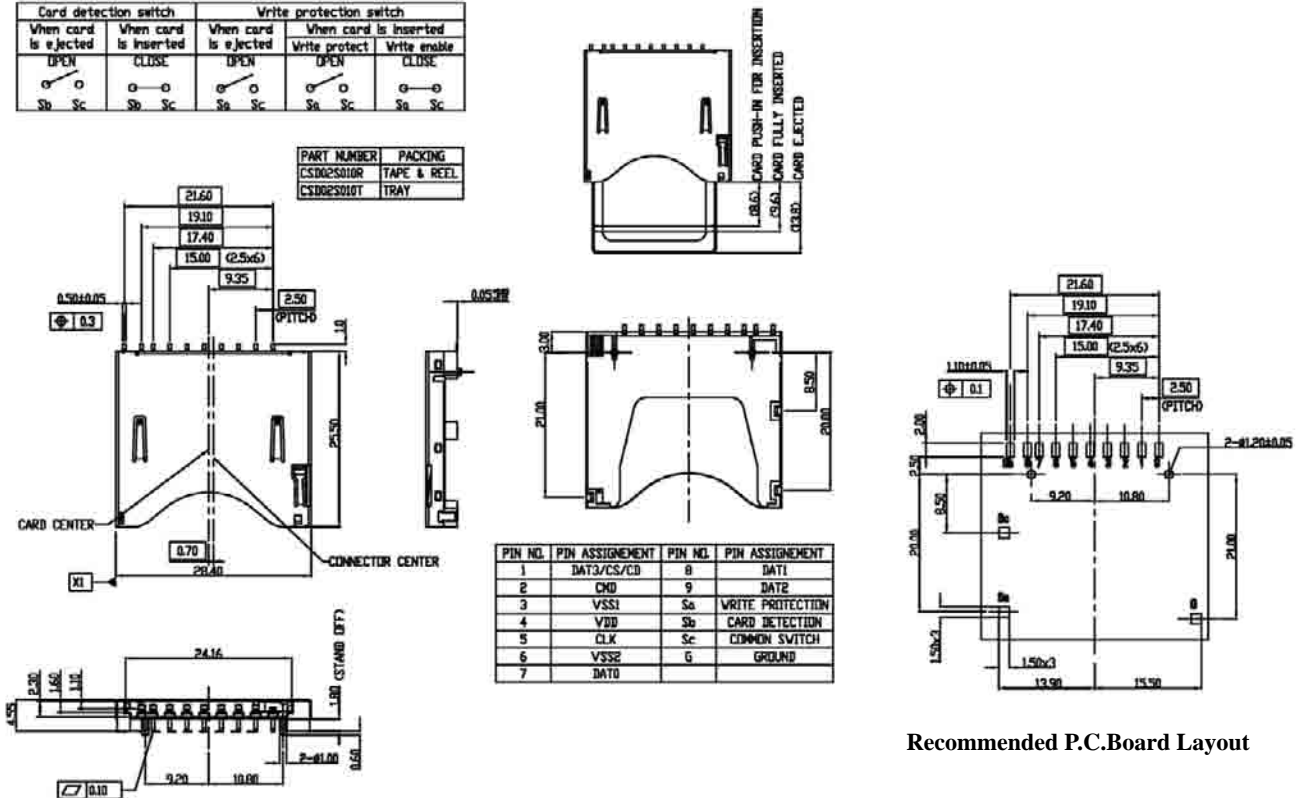
Withstanding Voltage: 500V AC/Minute
 Insulation R.: 1000MΩ min.
 Current Rating: 0.5AMP
 Contact R.: 100mΩ Max.
 Operating Temperature: -25°C ~ +85°C

MATERIAL:

Insulator: Hi-Temp. Plastic(UL 94V-0)
 Contact: Copper Alloy
 Contact Plated: Selective Gold Plated(standard)
 Shell: Copper Alloy With Nickel Plated
 * RoHS & REACH compliant.

Card detection switch		Write protection switch			
When card is ejected	When card is inserted	When card is ejected	When card is inserted	Write protect	Write enable
OPEN	CLOSE	OPEN	OPEN	CLOSE	CLOSE
Sb Sc	Sb Sc	Sa Sc	Sa Sc	Sa Sc	Sa Sc

PART NUMBER	PACKING
CSD02S10R	TAPE & REEL
CSD02S10T	TRAY



Recommended P.C.Board Layout

ORDERING INFORMATION:

P/N M C D - 6 F 4 S D $\frac{X}{1}$ - $\frac{X}{2}$

- CONTACT FINISH:
 "01" GOLD FLASH
 "10" 10 MICROINCH GOLD
- PACKAGE OPTION:
 "0" TRAY
 "R" TAPE & REEL

MINI SD (SECURE DIGITAL) 11 PIN CARD CONNECTOR PUSH-PUSH TYPE

MATERIAL:

Housing: Thermoplastic UL94V-0

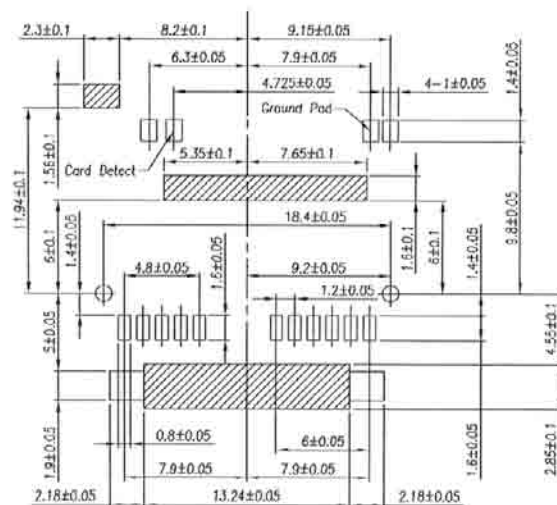
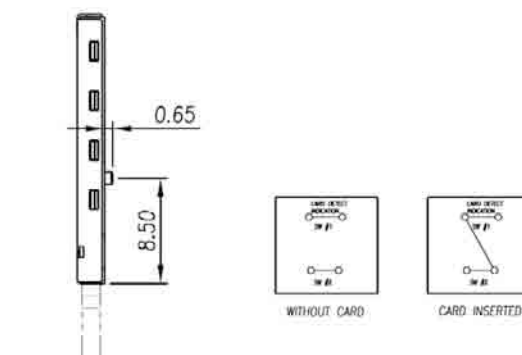
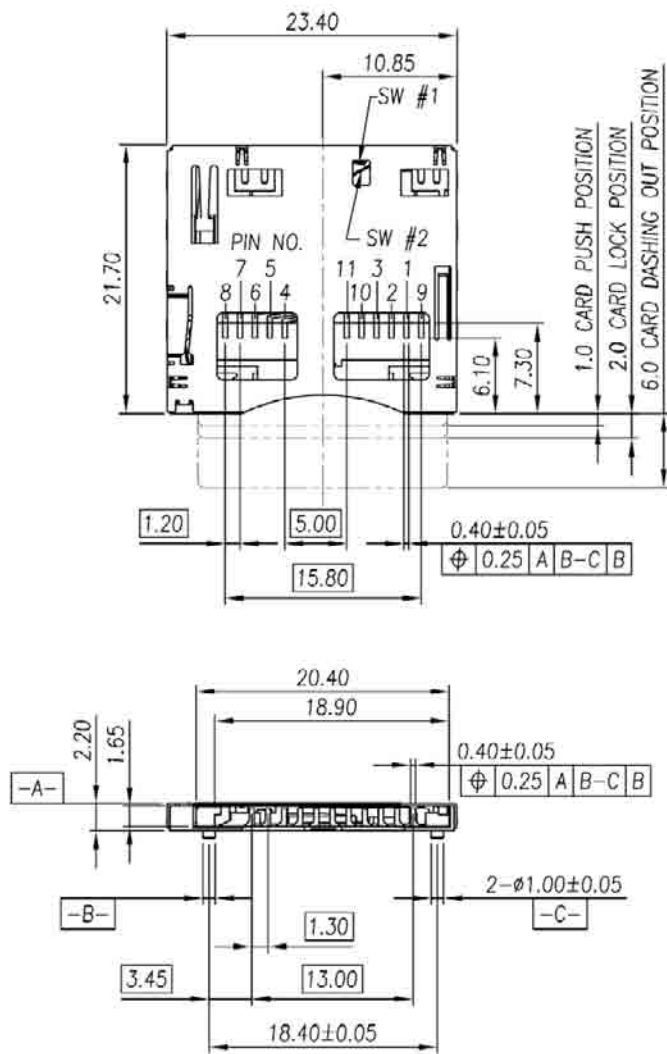
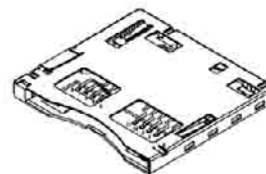
Color: Black

Contact: Phosphor Bronze

Tin/Lead 100u" at Solder Tail

Cover: Phosphor Bronze, Nickel plating for all

* RoHS & REACH compliant.



Recommended P.C.Board Layout
(TOP VIEW)

ORDERING INFORMATION:

P/N M C D - 5 0 4 M D $\frac{X}{I}$ - $\frac{R}{2}$

1. CONTACT FINISH:
"01" GOLD FLASH
"15" 15 MICROINCH GOLD
"30" 30 MICROINCH GOLD
2. PACKAGE OPTION:
"R" TAPE & REEL

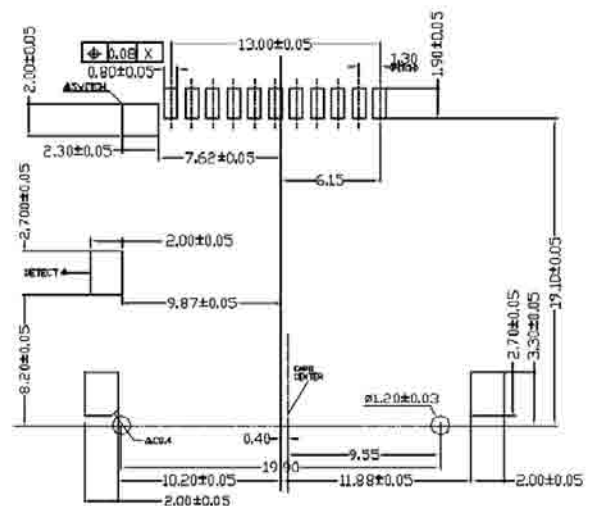
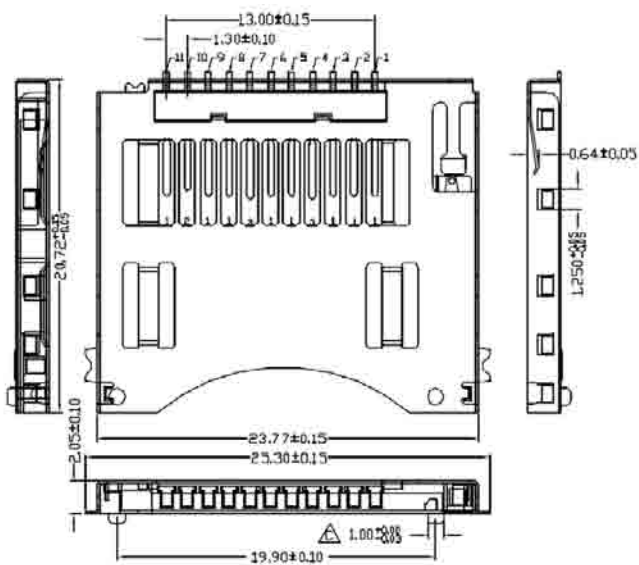
MINI SD (SECURE DIGITAL) 11 PIN CARD CONNECTOR REVERSE MOUNT PUSH - PULL TYPE

SPECIFICATIONS

Current Rating: 0.5A
Voltage Rating: 250VRMS
Contact R.: 40mΩ
Insulation R.: 100MΩ
Withstand VOL.: A.C. 500VMΩ
Operating Temperature: -25°C ~ +90°C
Contact area plating: Gold plated over Ni
Solder tail: 100u" Min Sn/Pb plated over Ni
Shell solder area plating: Gold plated over Ni
 * RoHS & REACH compliant.

MATERIAL:

Housing: High Temperature thermoplastic
Contact: Copper Alloy
Shell: Copper Alloy



Recommended P.C. Board Layout

ORDERING INFORMATION:

P/N MCD - 502MD $\frac{X}{1}$ - $\frac{R}{2}$

- CONTACT FINISH:
"05" 5 MICROINCH GOLD
- PACKAGE OPTION:
"R" TAPE & REEL

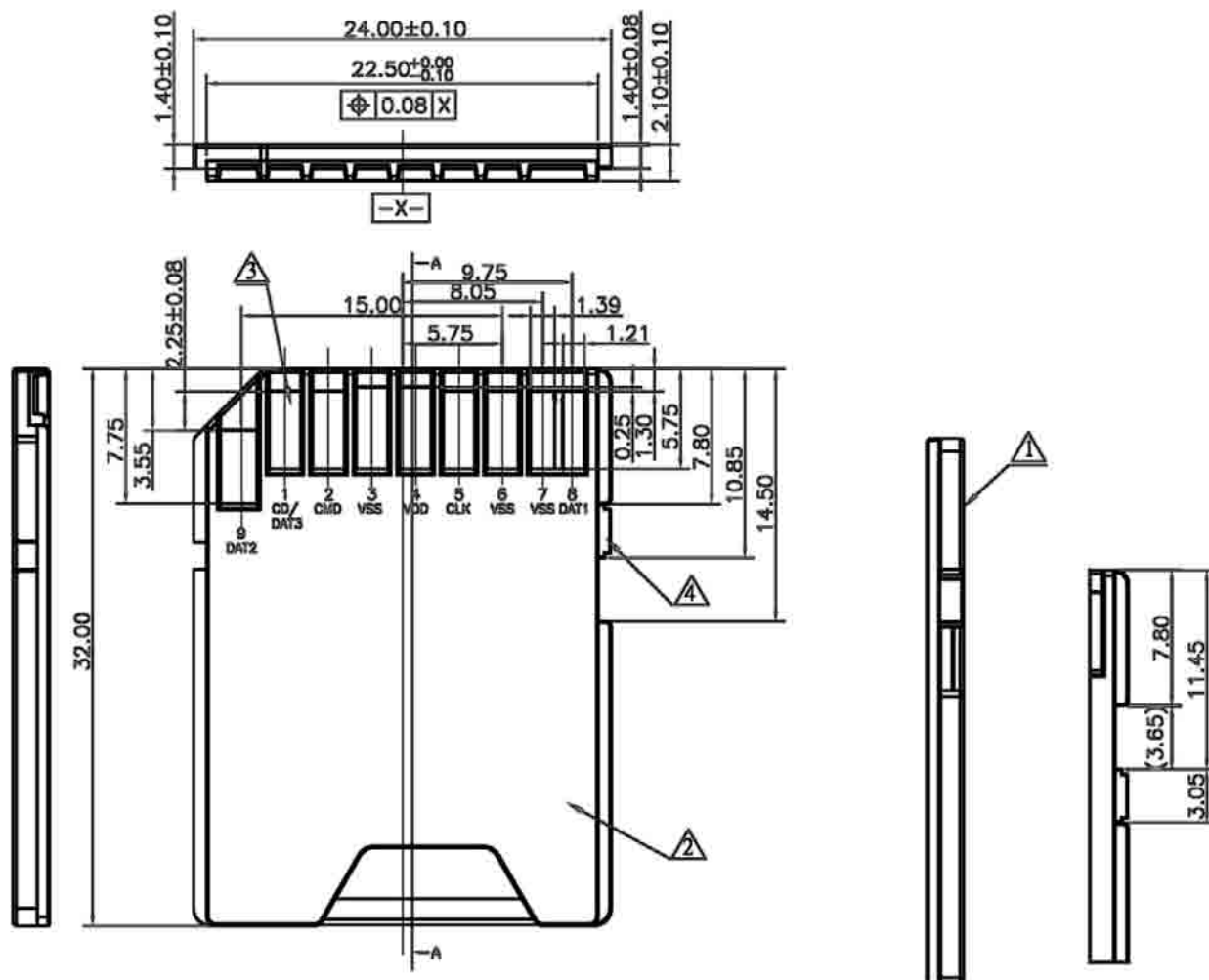
MINI SD TO SD (SECURE DIGITAL) 9 PIN ADAPTER

SPECIFICATION:

Dielectric Withstanding: 500V AC For 1 Minute
Current Rating: 1 AMP Max
Contact R.: 100mΩ Max

MATERIAL:

Housing: Thermoplastic(UL 94V-0)
Terminal: Copper Alloy, Gold Plated
*** RoHS & REACH compliant.**



ORDERING INFORMATION:

P/N M C D - 5 0 6 M D $\frac{X}{1} \frac{0}{2}$

- CONTACT FINISH:
 "01" GOLD FLASH
 "10" 10 MICROINCH GOLD
 "15" 15 MICROINCH GOLD
 "30" 30 MICROINCH GOLD
- PACKAGE OPTION:
 "0" TRAY

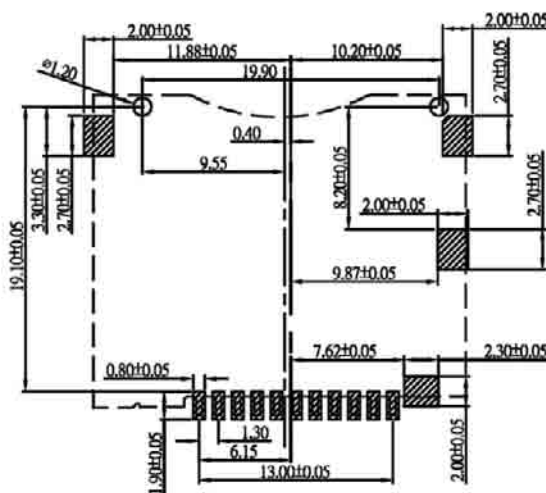
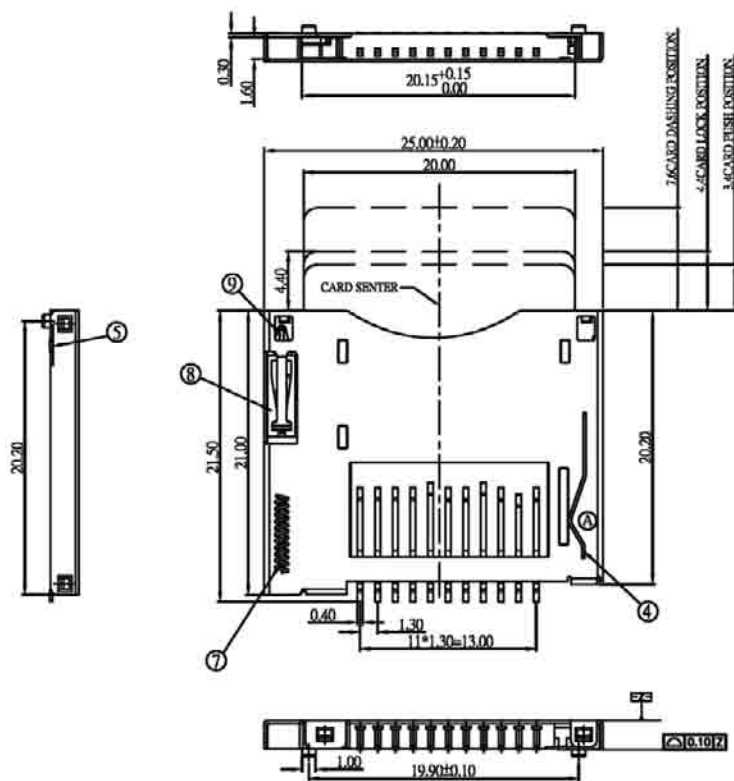
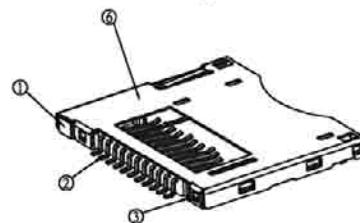
MINI SD (SECURE DIGITAL) 11 PIN CARD CONNECTOR REVERSE MOUNT PUSH - PUSH TYPE

SPECIFICATION:

Withstanding Voltage: 500V AC/Minute
 Insulation R.: 1000MΩ min.
 Current Rating: 0.5AMP
 Contact R.: 100mΩ Max.
 Operating Temperature: -25°C ~ +85°C

MATERIAL:

Insulator: Hi-Temp. Plastic(UL 94V-0)
 Contact: Copper Alloy
 Contact Plated: Selective Gold Plated(standard)
 Shell: Copper Alloy With Nickel Plated
 * RoHS & REACH compliant.



Recommended P.C.Board Layout

ORDERING INFORMATION:

P/N MCD - 507MD $\frac{X}{1} - \frac{R}{2}$

1. CONTACT FINISH:
"01" GOLD FLASH
2. PACKAGE OPTION:
"R" TAPE & REEL

COMPACT FLASH TYPE I CARD CONNECTOR STAND OFF 1.7MM REACH=26.50MM

SPECIFICATION:

Withstanding Voltage: 500V AC Max for 1 Min

Insulation R.: 1000M Ω

Voltage Rating: 100V AC

Current Rating: 0.5A AC/DC Max.

Contact R.: 40m Ω Max.

Operating Temperature: -40 $^{\circ}$ c ~ +85 $^{\circ}$ c

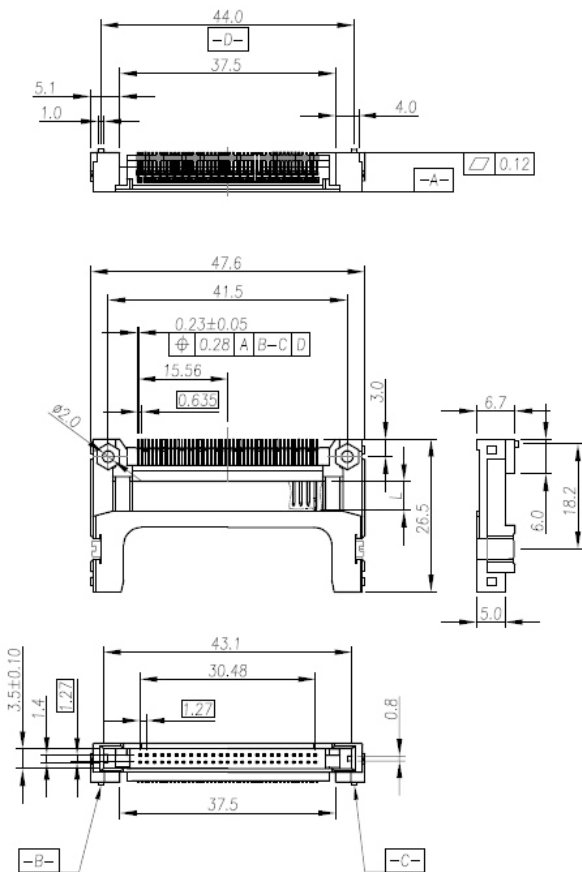
Insertion Cycles: 10000 Times

* RoHS & REACH compliant.

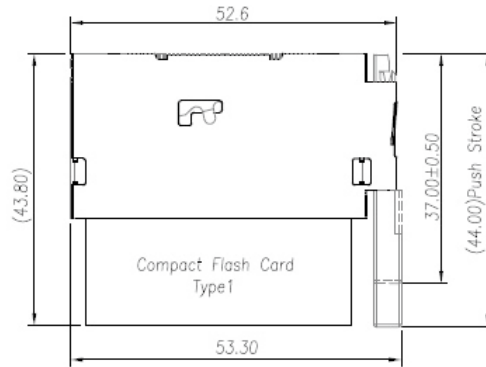
MATERIAL:

Contact: Copper Alloy

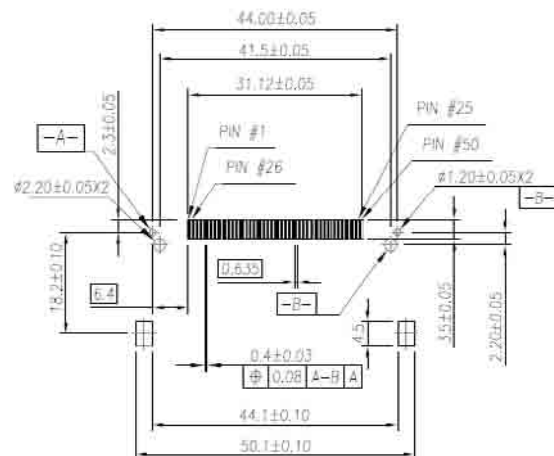
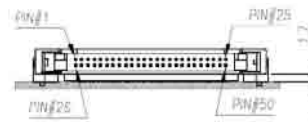
Housing: LCP, Glass Fiber (UL94V-0)



Pin Type	DIM. L	Pin Type
Detect	3.5 mm	25, 26
General	4.25 mm	All Other Pins
Power	5.0 mm	1, 13, 38, 50



Header With Ejector



Recommended P.C. Board Layout

ORDERING INFORMATION:

P/N MCD-641CF15

1. CONTACT FINISH:

"15" 15 MICROINCH GOLD

"30" 30 MICROINCH GOLD

COMPACT FLASH TYPE I, II CARD CONNECTOR STAND OFF 1.7MM REACH=26.50MM

SPECIFICATION:

Withstanding Voltage: 500V AC Max for 1 Min

Insulation R.: 1000MΩ

Voltage Rating: 100V AC

Current Rating: 0.5A AC/DC Max.

Contact R.: 40mΩ Max.

Operating Temperature: -40°C ~ +85°C

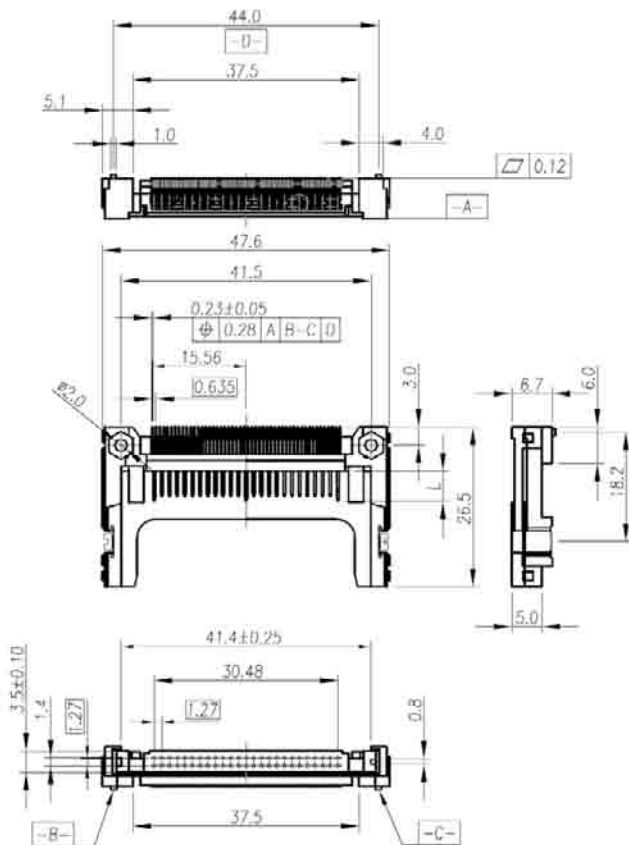
Insertion Cycles: 10000 Times

* RoHS & REACH compliant.

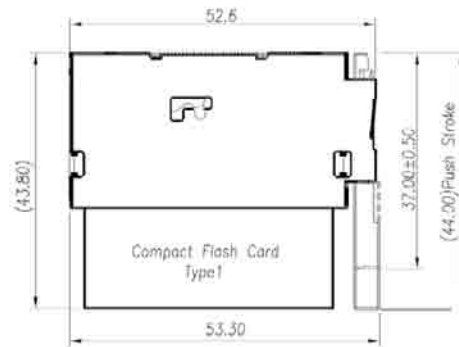
MATERIAL:

Contact: Copper Alloy

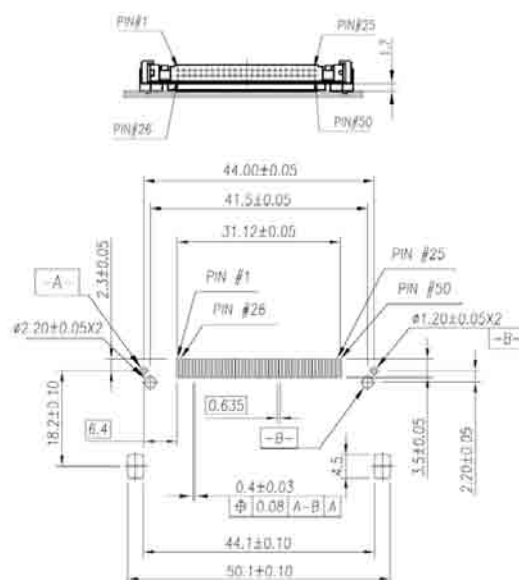
Housing: LCP, Glass Fiber (UL94V-0)



Pin Type	DIM. L	Pin Type
Detect	3.5 mm	25, 26
General	4.25 mm	All Other Pins
Power	5.0 mm	1, 13, 38, 50



Header With Ejector



Recommended P.C.Board Layout

ORDERING INFORMATION:

P/N M C D - 6 4 2 C F 15
I

1. CONTACT FINISH:

"15" 15 MICROINCH GOLD

"30" 30 MICROINCH GOLD

COMPACT FLASH TYPE I, II CARD CONNECTOR REACH=39.50MM

SPECIFICATION:

Insulation R.: 1000MΩ

Voltage Rating: 100V AC

Current Rating: 0.5A AC/DC Max.

Contact R.: 40mΩ Max.

Operating Temperature: -40°C ~ +85°C

Dielectric Strength: 500VAC/1min.

* RoHS & REACH compliant.

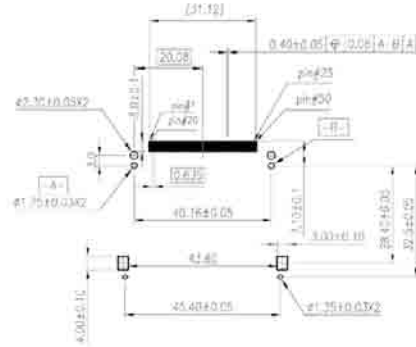
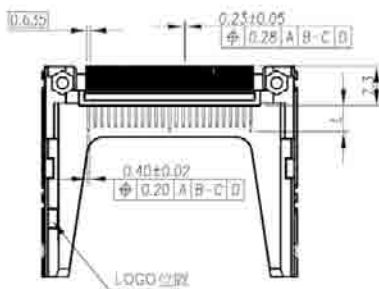
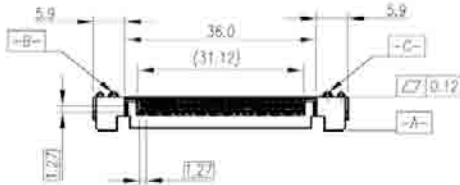
MATERIAL:

Contact: Copper Alloy

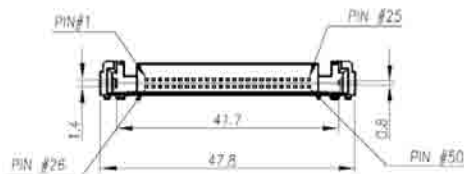
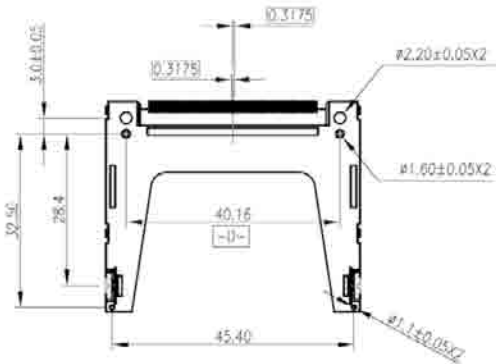
Housing: High Temperature Plastic
(UL94V-0)



Header With Ejector



Recommended P.C. Board Layout



Pin Type	DIM. L	Pin Type
Detect	3.5 mm	25, 26
General	4.25 mm	All Other Pins
Power	5.0 mm	1, 13, 38, 50



ORDERING INFORMATION:

P/N M C D - 6 4 3 C F 15
I

1. CONTACT FINISH:

"15" 15 MICROINCH GOLD

"30" 30 MICROINCH GOLD

COMPACT FLASH TYPE I, II CARD CONNECTOR REACH=38.65MM

SPECIFICATION:

Withstanding Voltage: 500V AC Max for 1 min.

Insulation R.: 1000MΩ

Voltage Rating: 100V AC

Current Rating: 0.5A AC/DC Max.

Contact R.: 40mΩ Max.

Operating Temperature: -40°C ~ +85°C

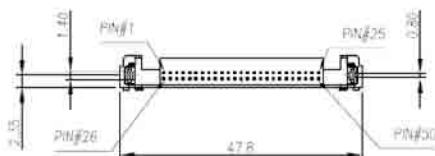
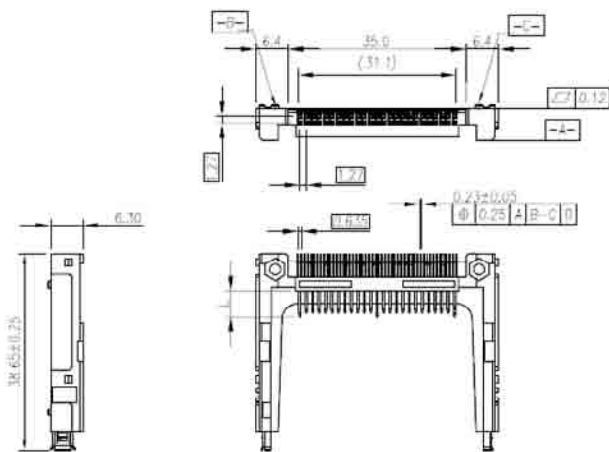
Insertion Cycles: 10000 times

* RoHS & REACH compliant.

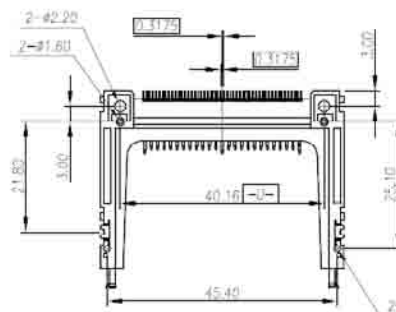
MATERIAL:

Contact: Copper Alloy

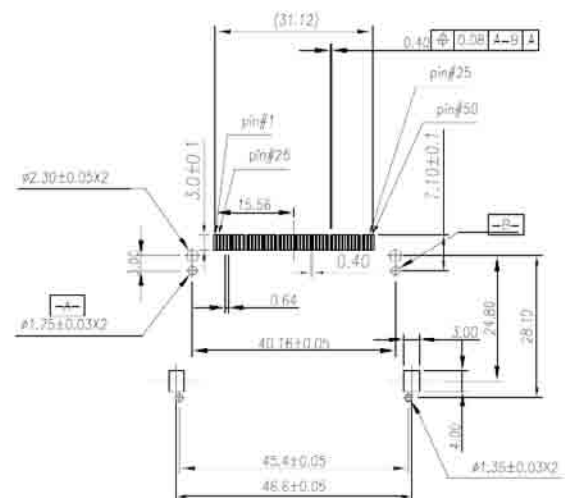
Housing: High Temperature Plastic
(UL94V-0)



Header With Ejector



Pin Type	DIM. L	Pin Type
Detect	3.5 mm	25, 26
General	4.25 mm	All Other Pins
Power	5.0 mm	1, 13, 38, 50



Recommended P.C. Board Layout

ORDERING INFORMATION:

P/N M C D - 6 4 4 C F 15
T

1. CONTACT FINISH:

"15" 15 MICROINCH GOLD

"05" 05 MICROINCH GOLD

COMPACT FLASH TYPE I, II CARD CONNECTOR REVERSE TYPE REACH=38.65MM

SPECIFICATION:

Withstanding Voltage: 500V AC Max for 1 min.

Insulation R.: 1000M Ω

Voltage Rating: 100V AC

Current Rating: 0.5A AC/DC Max.

Contact R.: 40m Ω Max.

Operating Temperature: -40 $^{\circ}$ C ~ +85 $^{\circ}$ C

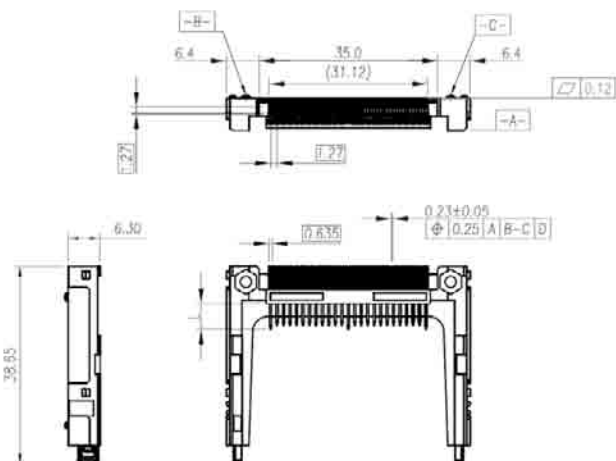
Insertion Cycles: 10000 times

* RoHS & REACH compliant.

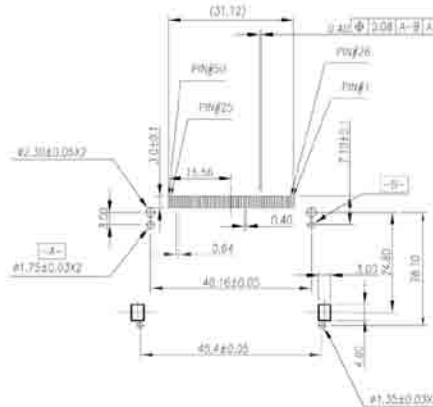
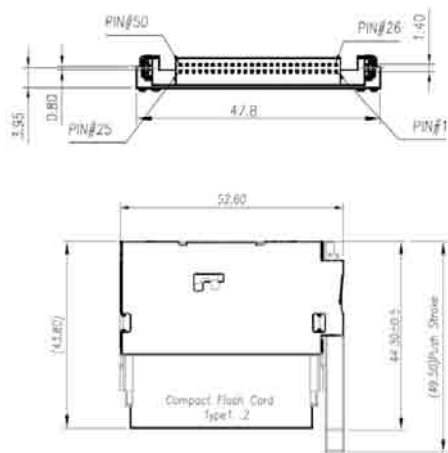
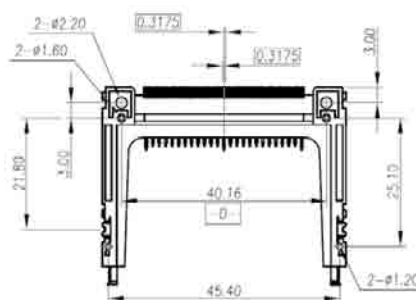
MATERIAL:

Contact: Copper Alloy

Housing: High Temperature Plastic
(UL94V-0)



Pin Type	DIM. L	Pin Type
Detect	3.5 mm	25, 26
General	4.25 mm	All Other Pins
Power	5.0 mm	1, 13, 38, 50



Header With Ejector

Recommended P.C.Board Layout

ORDERING INFORMATION:

P/N MCD-645CF15

1. CONTACT FINISH:

"15" 15 MICROINCH GOLD

"05" 05 MICROINCH GOLD

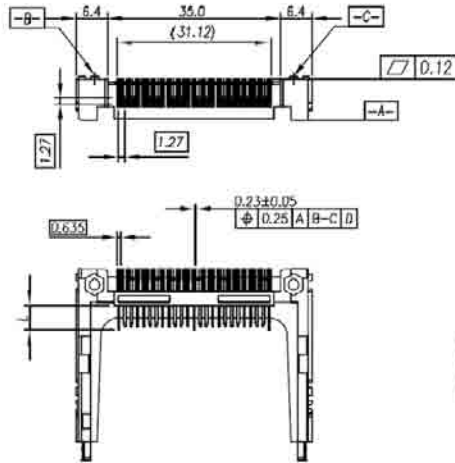
COMPACT FLASH TYPE I, II CARD CONNECTOR STAND OFF 2.0MM REACH=38.65MM

SPECIFICATION:

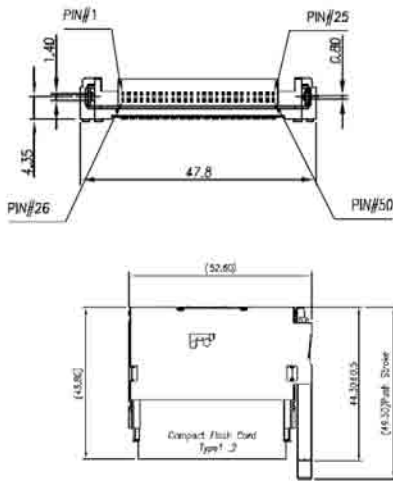
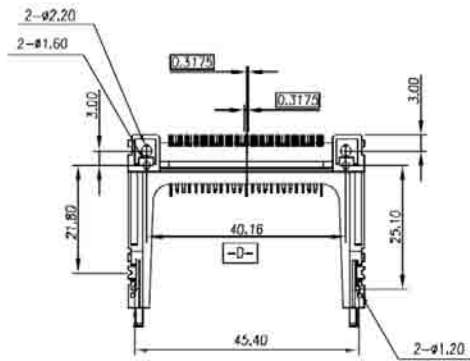
Withstanding Voltage: 500V AC Max for 1 min.
Insulation R.: 1000MΩ
Voltage Rating: 100V AC
Current Rating: 0.5A AC/DC Max.
Contact R.: 40mΩ Max.
Operating Temperature: -40°C ~ +85°C
Insertion Cycles: 10000 times
*** RoHS & REACH compliant.**

MATERIAL:

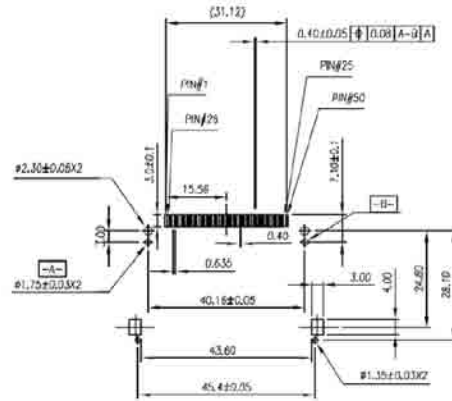
Contact: Copper Alloy
Housing: High Temperature Plastic
 (UL94V-0)



Pin Type	DIM. L	Pin Type
Detect	3.5 mm	25, 26
General	4.25 mm	All Other Pins
Power	5.0 mm	1, 13, 38, 50



Header With Ejector



Recommended P.C.Board Layout

ORDERING INFORMATION:

P/N M C D - 6 4 6 C F 15

- 1. CONTACT FINISH:
 "15" 15 MICROINCH GOLD
 "30" 30 MICROINCH GOLD

COMPACT FLASH TYPE I, II CARD CONNECTOR STAND OFF 2.0MM REVERSE TYPE REACH=38.65MM

SPECIFICATION:

Withstanding Voltage: 500V AC Max for 1 min.

Insulation R.: 1000MΩ

Voltage Rating: 100V AC

Current Rating: 0.5A AC/DC Max.

Contact R.: 40mΩ Max.

Operating Temperature: -40°C ~ +85°C

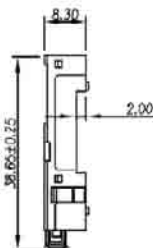
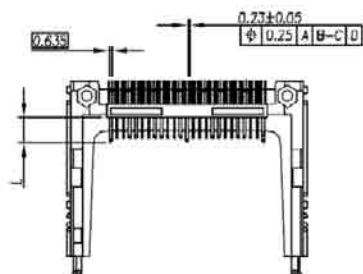
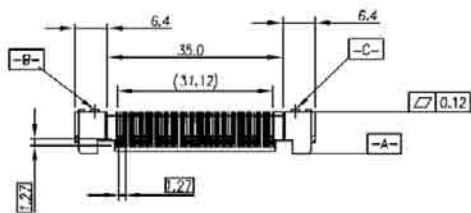
Insertion Cycles: 10000 times

* RoHS & REACH compliant.

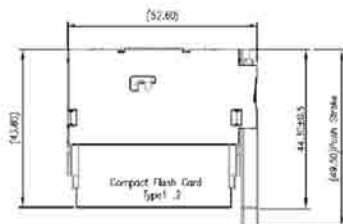
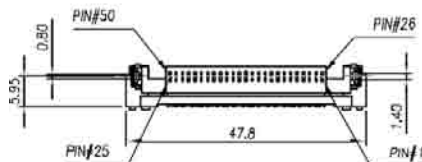
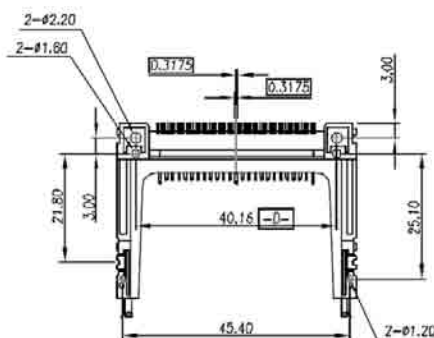
MATERIAL:

Contact: Copper Alloy

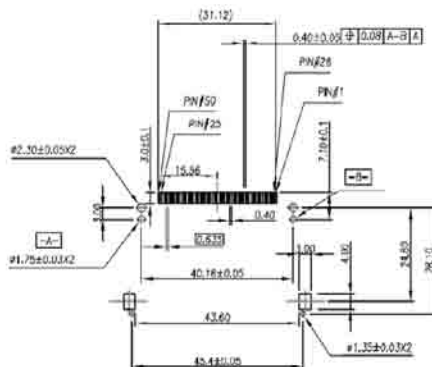
Housing: High Temperature Plastic
(UL94V-0)



Pin Type	DIM. L	Pin Type
Detect	3.5 mm	25, 26
General	4.25 mm	All Other Pins
Power	5.0 mm	1, 13, 38, 50



Header With Ejector



Recommended P.C.Board Layout

ORDERING INFORMATION:

P/N MCD-647CF15

1. CONTACT FINISH:

"15" 15 MICROINCH GOLD

"30" 30 MICROINCH GOLD

COMPACT FLASH TYPE I, II CARD CONNECTOR REACH=26.00MM

SPECIFICATION:

Withstanding Voltage: 500V AC Max for 1 min.

Insulation R.: 1000MΩ

Voltage Rating: 100V AC

Current Rating: 0.5A AC/DC Max.

Contact R.: 40mΩ Max.

Operating Temperature: -40°C ~ +85°C

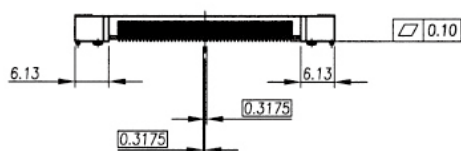
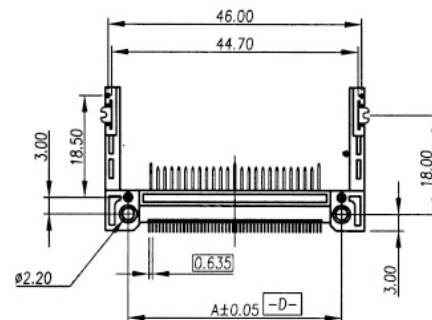
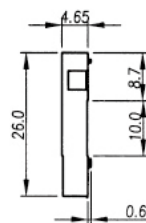
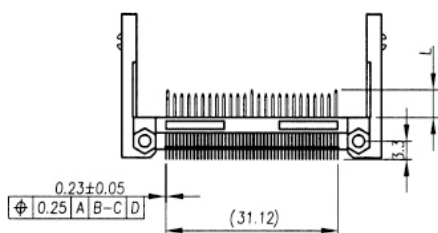
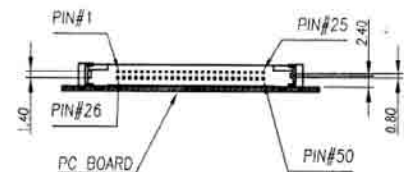
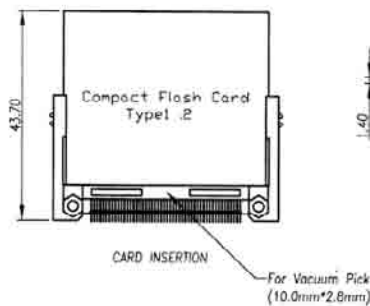
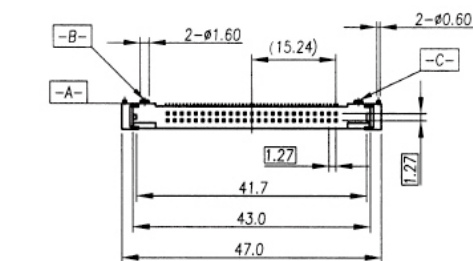
Insertion Cycles: 10000 times

* RoHS & REACH compliant.

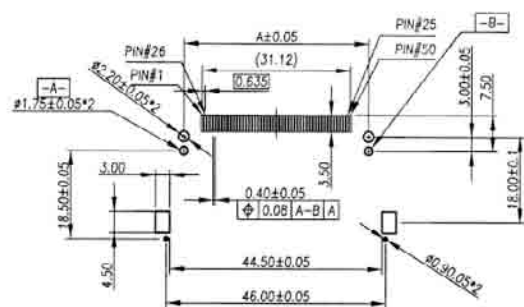
MATERIAL:

Contact: Copper Alloy

Housing: High Temperature Plastic
(UL94V-0)



Pin Type	DIM. L	Pin Type
Detect	3.5 mm	25, 26
General	4.25 mm	All Other Pins
Power	5.0 mm	1, 13, 38, 50



Recommended P.C. Board Layout

ORDERING INFORMATION:

P/N M C D - 1 2 X X X C F X X

1. DIMENSION A:

"648" A=38.74MM

"649" A=40.16MM

2. CONTACT FINISH:

"15" 15 MICROINCH GOLD

"30" 30 MICROINCH GOLD

COMPACT FLASH TYPE I, II CARD CONNECTOR REVERSE TYPE REACH=26.00MM

SPECIFICATION:

Withstanding Voltage: 500V AC Max for 1 min.

Insulation R.: 1000MΩ

Voltage Rating: 100V AC

Current Rating: 0.5A AC/DC Max.

Contact R.: 40mΩ Max.

Operating Temperature: -40°C ~ +85°C

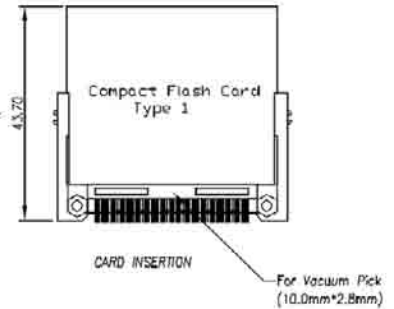
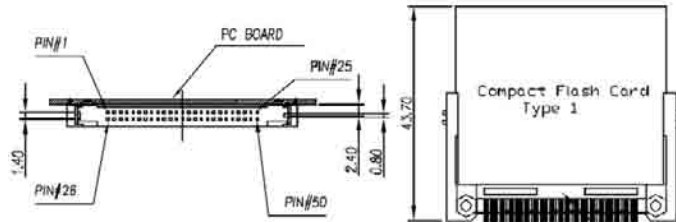
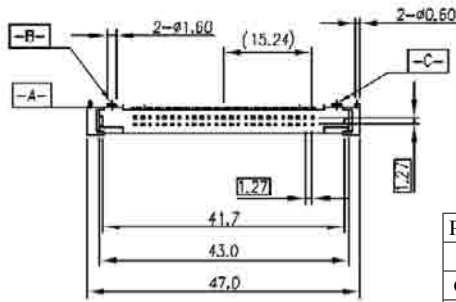
Insertion Cycles: 10000 times

* RoHS & REACH compliant.

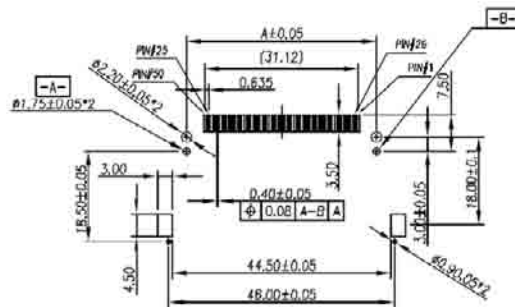
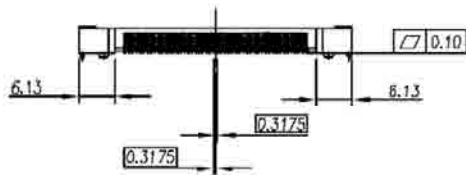
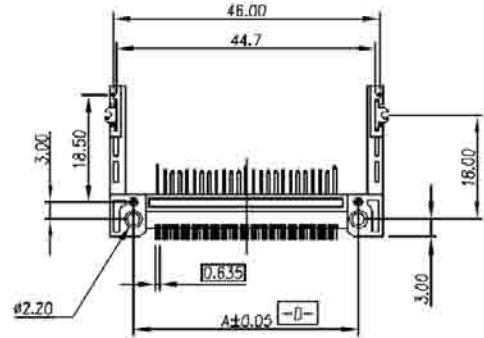
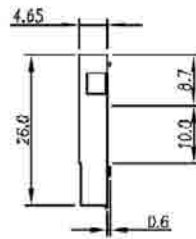
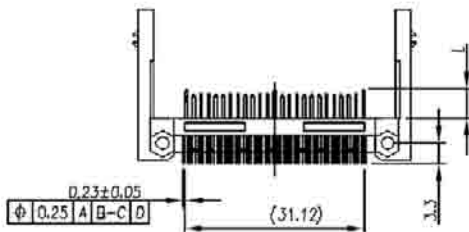
MATERIAL:

Contact: Copper Alloy

Housing: High Temperature Plastic
(UL94V-0)



Pin Type	DIM. L	Pin Type
Detect	3.5 mm	25, 26
General	4.25 mm	All Other Pins
Power	5.0 mm	1, 13, 38, 50



Recommended P.C.Board Layout

ORDERING INFORMATION:

P/N M C D - XXX C F XX

1. DIMENSION A:

"650" A=38.74MM

"651" A=40.16MM

2. CONTACT FINISH:

"15" 15 MICROINCH GOLD

"30" 30 MICROINCH GOLD

COMPACT FLASH TYPE I, II CARD CONNECTOR STRADDLE TYPE REACH=11.18MM

SPECIFICATION:

Withstanding Voltage: 500V AC Max for 1 min.

Insulation R.: 1000MΩ

Voltage Rating: 100V AC

Current Rating: 0.5A AC/DC Max.

Contact R.: 40mΩ Max.

Operating Temperature: -40°C ~ +85°C

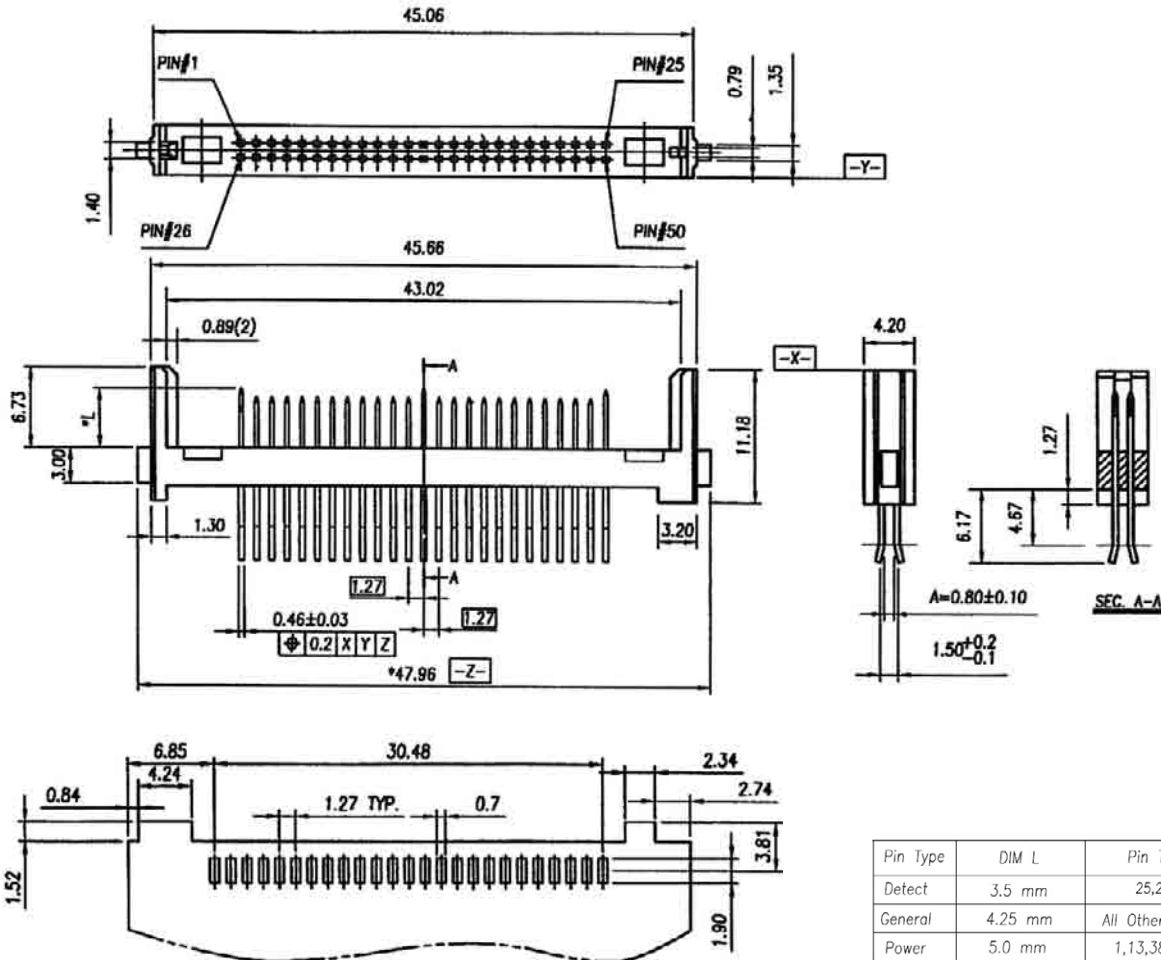
Insertion Cycles: 10000 times

* RoHS & REACH compliant.

MATERIAL:

Contact: Copper Alloy

Housing: High Temperature Plastic
(UL94V-0)



Recommended P.C.Board Layout

ORDERING INFORMATION:

P/N M C D - 6 6 3 C F 15
I

1. CONTACT FINISH:

"01" GOLD FLASH

"05" 05 MICROINCH GOLD

"15" 15 MICROINCH GOLD

COMPACT FLASH TYPE I,II CARD CONNECTOR STAND OFF 2.0MM REACH=26.00MM

SPECIFICATION:

Withstanding Voltage: 500V AC Max for 1 min.

Insulation R.: 1000MΩ

Voltage Rating: 100V AC

Current Rating: 0.5A AC/DC Max.

Contact R.: 40mΩ Max.

Operating Temperature: -40°C ~ +85°C

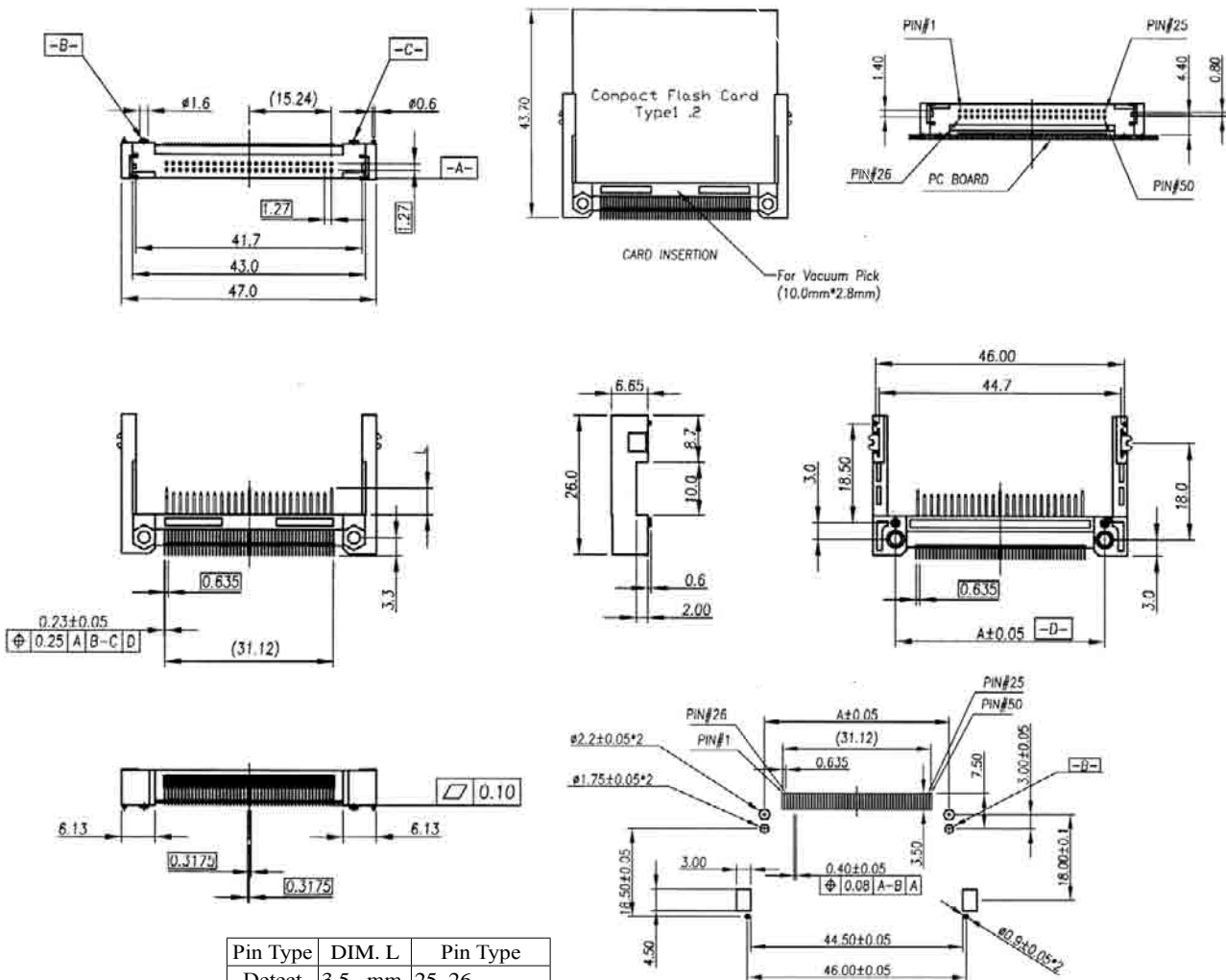
Insertion Cycles: 10000 times

* RoHS & REACH compliant.

MATERIAL:

Contact: Copper Alloy

Housing: High Temperature Plastic
(UL94V-0)



Pin Type	DIM. L	Pin Type
Detect	3.5 mm	25, 26
General	4.25 mm	All Other Pins
Power	5.0 mm	1, 13, 38, 50

Recommended P.C.Board Layout

ORDERING INFORMATION:

P/N M C D - 1 2 X X X C F X X

1. DIMENSION A:

"652" A=38.74MM

"653" A=40.16MM

2. CONTACT FINISH:

"15" 15 MICROINCH GOLD

"30" 30 MICROINCH GOLD

COMPACT FLASH TYPE I, II CARD CONNECTOR STAND OFF 2.0MM REVERSE TYPE REACH=26.00MM

SPECIFICATION:

Withstanding Voltage: 500V AC Max for 1 min.

Insulation R.: 1000MΩ

Voltage Rating: 100V AC

Current Rating: 0.5A AC/DC Max.

Contact R.: 40mΩ Max.

Operating Temperature: -40°C ~ +85°C

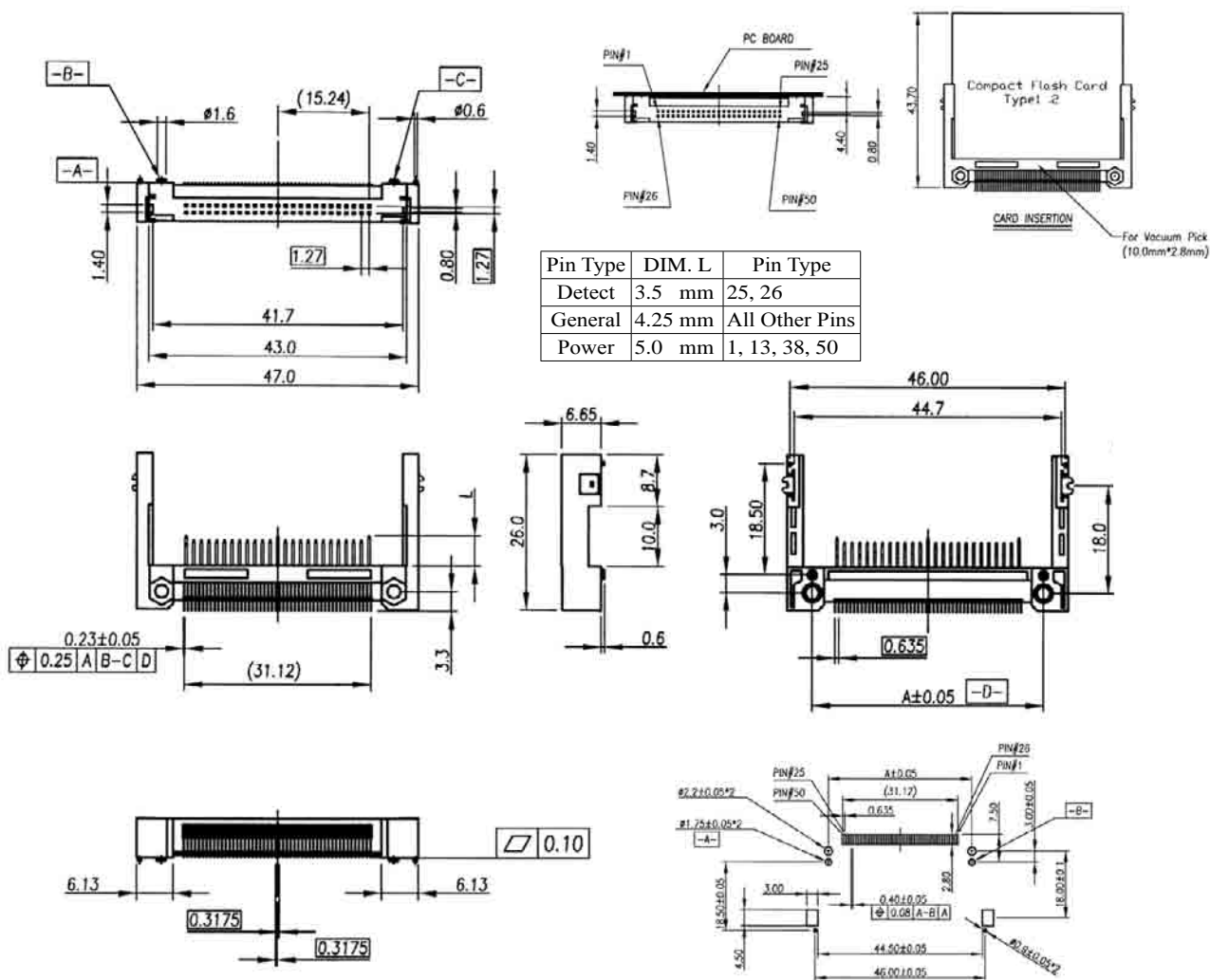
Insertion Cycles: 10000 times

* RoHS & REACH compliant.

MATERIAL:

Contact: Copper Alloy

Housing: High Temperature Plastic
(UL94V-0)



Recommended P.C.Board Layout

ORDERING INFORMATION:

P/N M C D - 1 2 C F 15

1. DIMENSION A:

"654" A=38.74MM

"655" A=40.16MM

2. CONTACT FINISH:

"01" GOLD FLASH

"05" 05 MICROINCH GOLD

"15" 15 MICROINCH GOLD

"30" 30 MICROINCH GOLD

COMPACT FLASH TYPE I, II CARD CONNECTOR REACH=38.65MM

SPECIFICATION:

Withstanding Voltage: 500V AC Max for 1 min.

Insulation R.: 1000MΩ

Voltage Rating: 100V AC

Current Rating: 0.5A AC/DC Max.

Contact R.: 40mΩ Max.

Operating Temperature: -40°C ~ +85°C

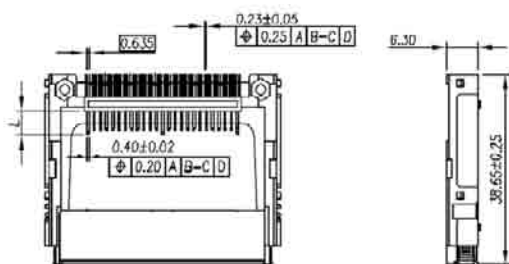
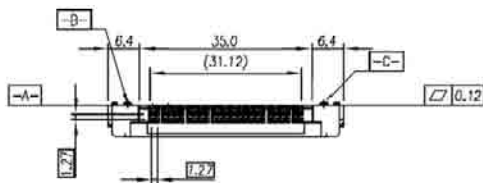
Insertion Cycles: 10000 times

* RoHS & REACH compliant.

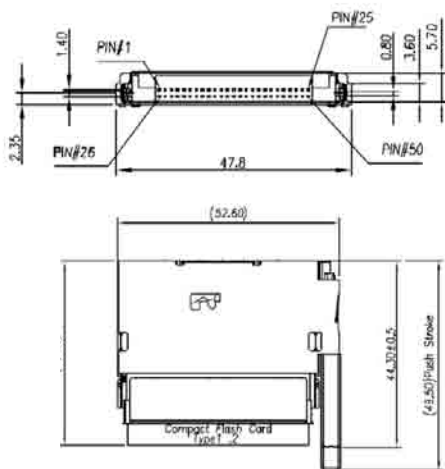
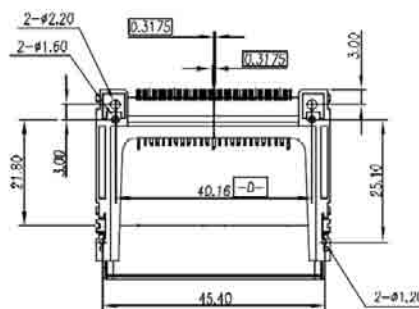
MATERIAL:

Contact: Copper Alloy

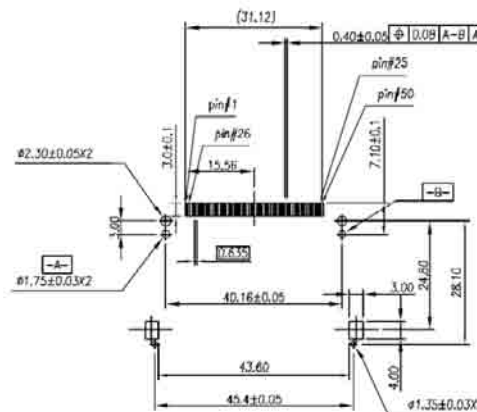
Housing: High Temperature Plastic
(UL94V-0)



Pin Type	DIM. L	Pin Type
Detect	3.5 mm	25, 26
General	4.25 mm	All Other Pins
Power	5.0 mm	1, 13, 38, 50



Header With Ejector



Recommended P.C.Board Layout

ORDERING INFORMATION:

P/N M C D - 6 5 6 C F 15
I

1. CONTACT FINISH:

"15" 15 MICROINCH GOLD

"30" 30 MICROINCH GOLD

COMPACT FLASH TYPE I, II CARD CONNECTOR REVERSE TYPE REACH=38.65MM

SPECIFICATION:

Withstanding Voltage: 500V AC Max for 1 min.

Insulation R.: 1000MΩ

Voltage Rating: 100V AC

Current Rating: 0.5A AC/DC Max.

Contact R.: 40mΩ Max.

Operating Temperature: -40°C ~ +85°C

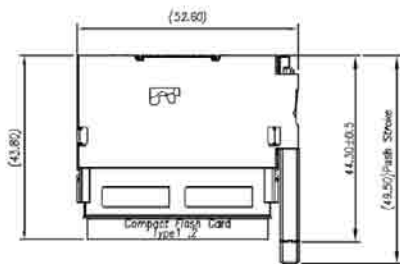
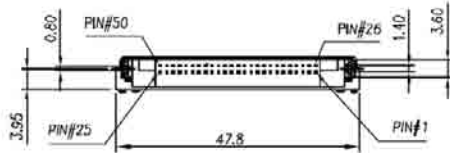
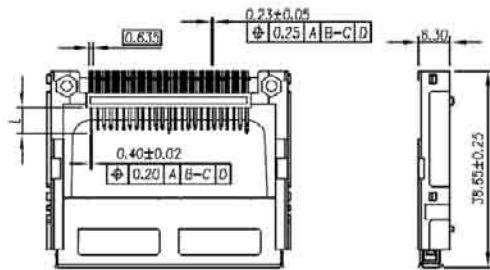
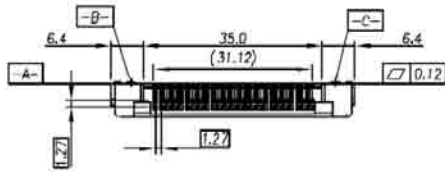
Insertion Cycles: 10000 times

* RoHS & REACH compliant.

MATERIAL:

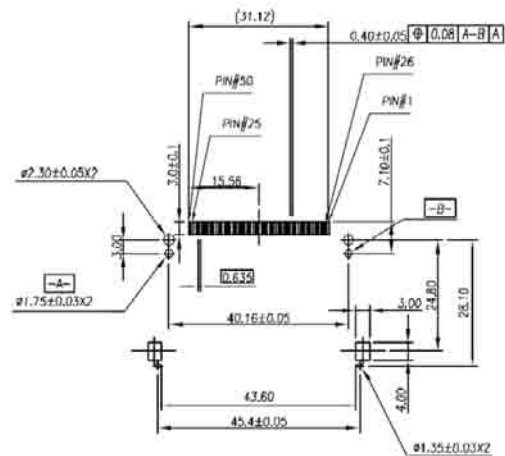
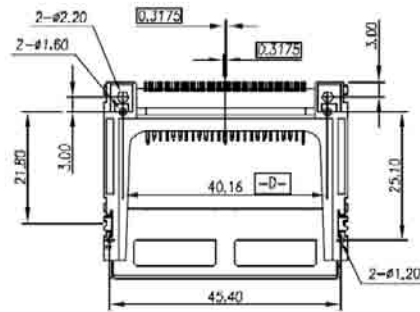
Contact: Copper Alloy

Housing: High Temperature Plastic
(UL94V-0)



Header With Ejector

Pin Type	DIM. L	Pin Type
Detect	3.5 mm	25, 26
General	4.25 mm	All Other Pins
Power	5.0 mm	1, 13, 38, 50



Recommended P.C.Board Layout

ORDERING INFORMATION:

P/N M C D - 6 5 7 C F 15
I

1. CONTACT FINISH:

"15" 15 MICROINCH GOLD

"30" 30 MICROINCH GOLD

COMPACT FLASH TYPE I, II CARD CONNECTOR STAND OFF 2.0MM REACH=38.65MM

SPECIFICATION:

Withstanding Voltage: 500V AC Max for 1 min.

Insulation R.: 1000MΩ

Voltage Rating: 100V AC

Current Rating: 0.5A AC/DC Max.

Contact R.: 40mΩ Max.

Operating Temperature: -40°C ~ +85°C

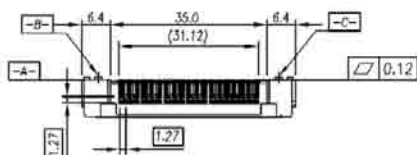
Insertion Cycles: 10000 times

* RoHS & REACH compliant.

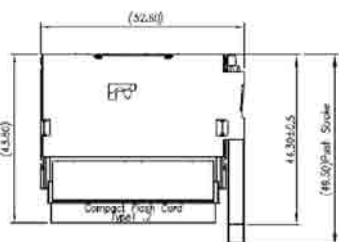
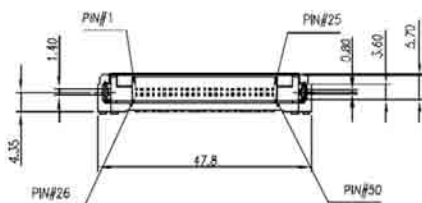
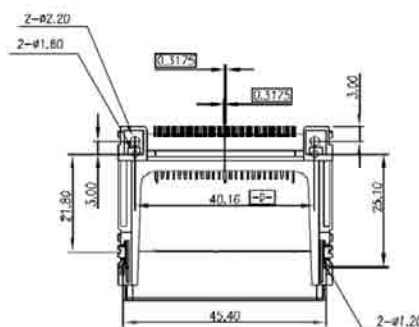
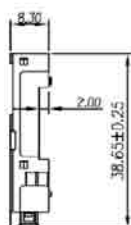
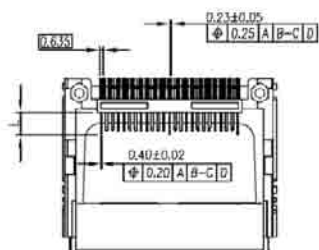
MATERIAL:

Contact: Copper Alloy

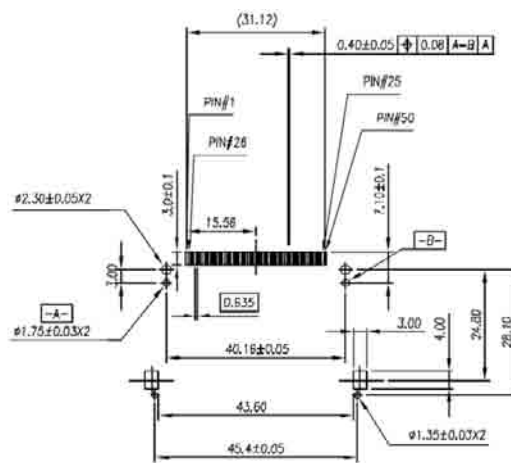
Housing: High Temperature Plastic
(UL94V-0)



Pin Type	DIM. L	Pin Type
Detect	3.5 mm	25, 26
General	4.25 mm	All Other Pins
Power	5.0 mm	1, 13, 38, 50



Header With Ejector



Recommended P.C.Board Layout

ORDERING INFORMATION:

P/N M C D - 6 5 8 C F 15
I

1. CONTACT FINISH:

"15" 15 MICROINCH GOLD

"30" 30 MICROINCH GOLD

COMPACT FLASH TYPE I, II CARD CONNECTOR STAND OFF 2.0MM REVERSE TYPE REACH=38.65MM

SPECIFICATION:

Withstanding Voltage: 500V AC Max for 1 min.

Insulation R.: 1000MΩ

Voltage Rating: 100V AC

Current Rating: 0.5A AC/DC Max.

Contact R.: 40mΩ Max.

Operating Temperature: -40°C ~ +85°C

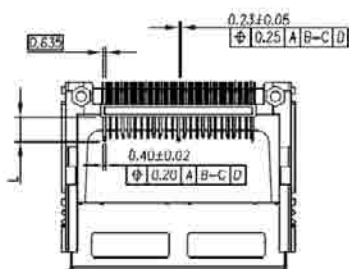
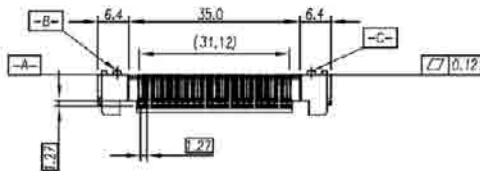
Insertion Cycles: 10000 times

* RoHS & REACH compliant.

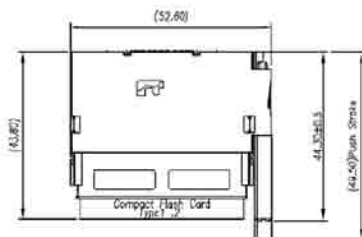
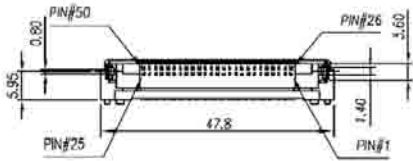
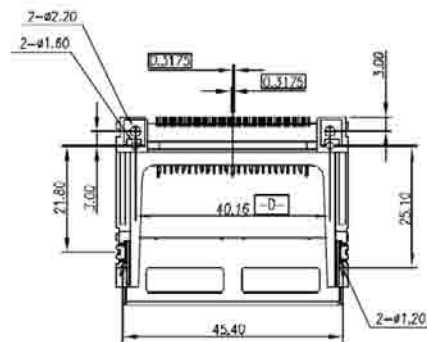
MATERIAL:

Contact: Copper Alloy

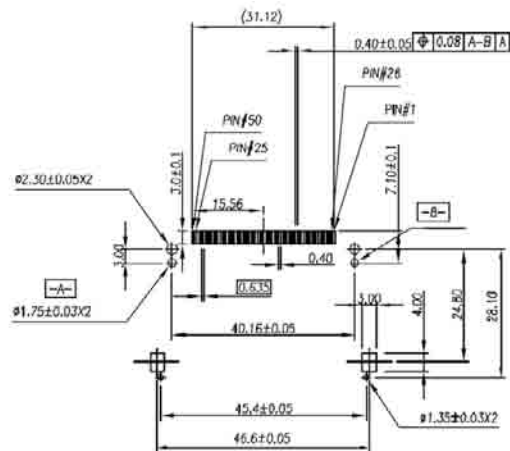
Housing: High Temperature Plastic
(UL94V-0)



Pin Type	DIM. L	Pin Type
Detect	3.5 mm	25, 26
General	4.25 mm	All Other Pins
Power	5.0 mm	1, 13, 38, 50



Header With Ejector



Recommended P.C.Board Layout

ORDERING INFORMATION:

P/N MCD-659CF15

1. CONTACT FINISH:

"15" 15 MICROINCH GOLD

"30" 30 MICROINCH GOLD

COMPACT FLASH TYPE I, II CARD CONNECTOR STAND OFF 1.0MM REVERSE TYPE REACH=26.00MM

SPECIFICATION:

Withstanding Voltage: 500V AC Max for 1 min.

Insulation R.: 1000MΩ

Voltage Rating: 100V AC

Current Rating: 0.5A AC/DC Max.

Contact R.: 40mΩ Max.

Operating Temperature: -40°C ~ +85°C

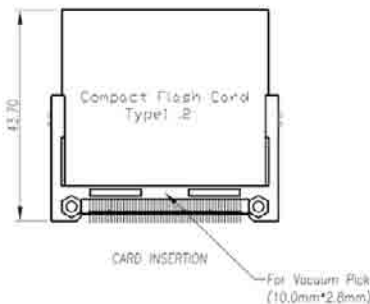
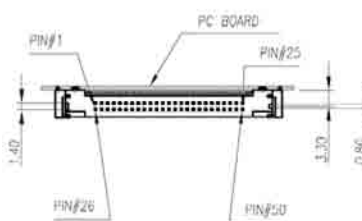
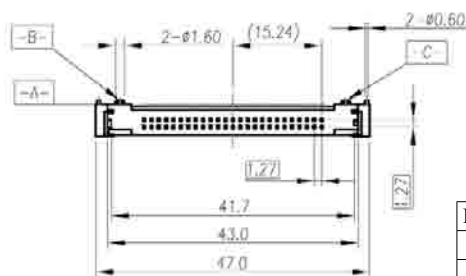
Insertion Cycles: 10000 times

* RoHS & REACH compliant.

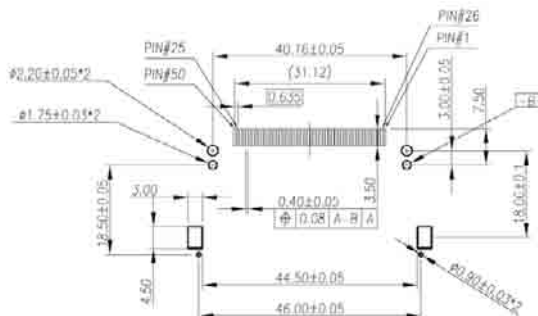
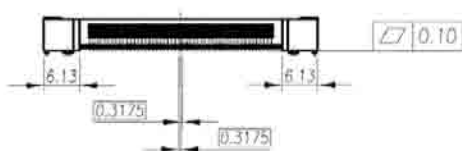
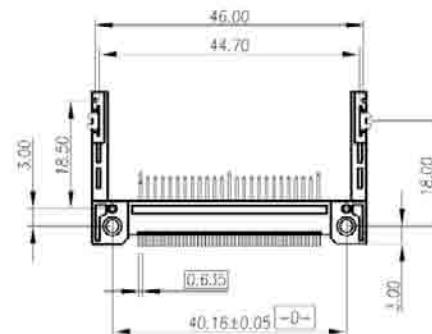
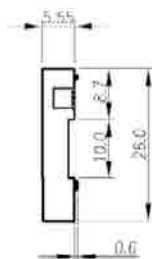
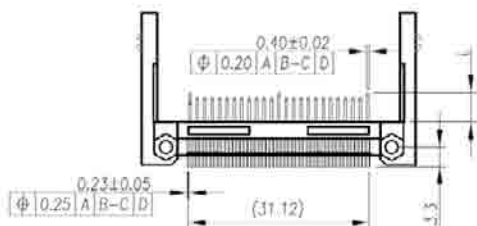
MATERIAL:

Contact: Copper Alloy

Housing: High Temperature Plastic
(UL94V-0)



Pin Type	DIM. L	Pin Type
Detect	3.5 mm	25, 26
General	4.25 mm	All Other Pins
Power	5.0 mm	1, 13, 38, 50



Recommended P.C.Board Layout

ORDERING INFORMATION:

P/N MCD-660CF15

1. CONTACT FINISH:

"15" 15 MICROINCH GOLD

"30" 30 MICROINCH GOLD

COMPACT FLASH TYPE I, II CARD CONNECTOR STRADDLE TYPE REACH=11.18MM

SPECIFICATION:

Withstanding Voltage: 500V AC Max for 1 min.

Insulation R.: 1000MΩ

Voltage Rating: 100V AC

Current Rating: 0.5A AC/DC Max.

Contact R.: 40mΩ Max.

Operating Temperature: -40°C ~ +85°C

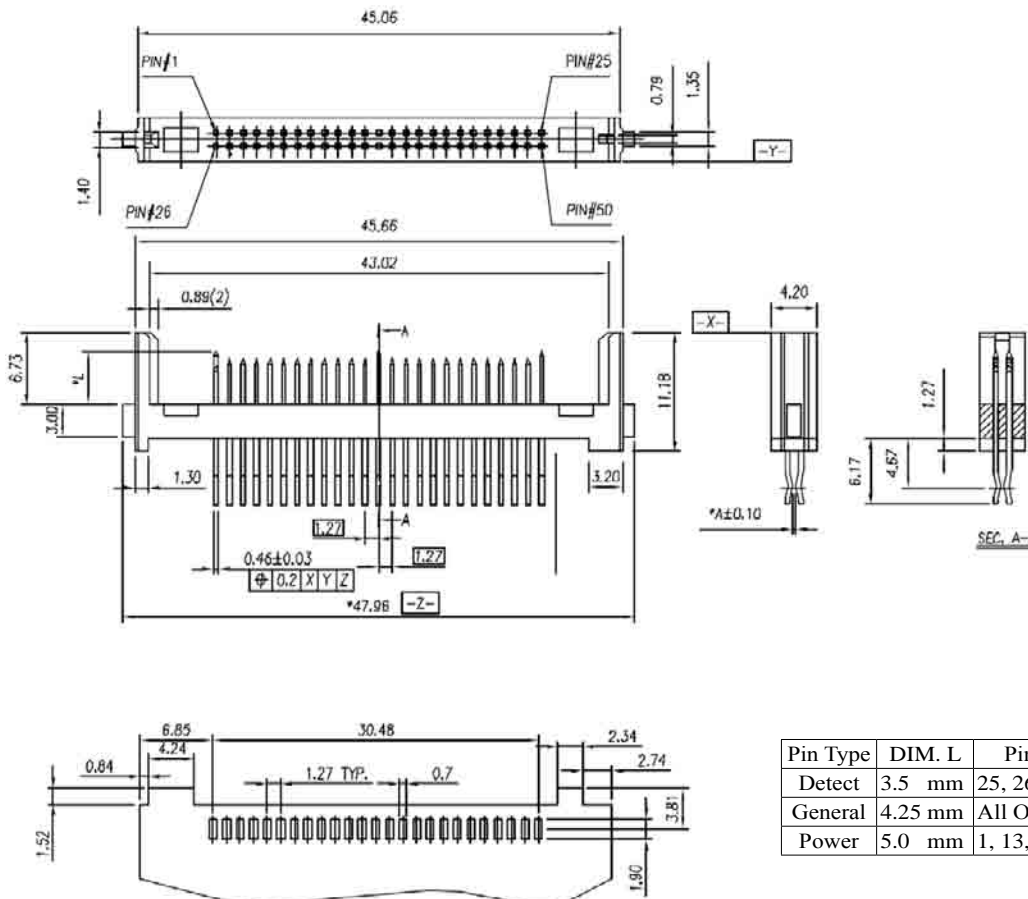
Insertion Cycles: 10000 times

* RoHS & REACH compliant.

MATERIAL:

Contact: Copper Alloy

Housing: High Temperature Plastic
(UL94V-0)



Recommended P.C.Board Layout

ORDERING INFORMATION:

P/N M C D - $\frac{x x x}{1}$ C F $\frac{15}{2}$

1. DIMENSION A:

"661" A=0.30MM

"662" A=0.50MM

2. CONTACT FINISH:

"01" GOLD FLASH

"05" 05 MICROINCH GOLD

"15" 15 MICROINCH GOLD

COMPACT FLASH TYPE I, II CARD CONNECTOR LOW PROFILE TYPE REACH=13.50MM

SPECIFICATION:

Withstanding Voltage: 500V AC Max for 1 min.

Insulation R.: 1000M Ω

Voltage Rating: 100V AC

Current Rating: 0.5A AC/DC Max.

Contact R.: 40m Ω Max.

Operating Temperature: -40 $^{\circ}$ c ~ +85 $^{\circ}$ c

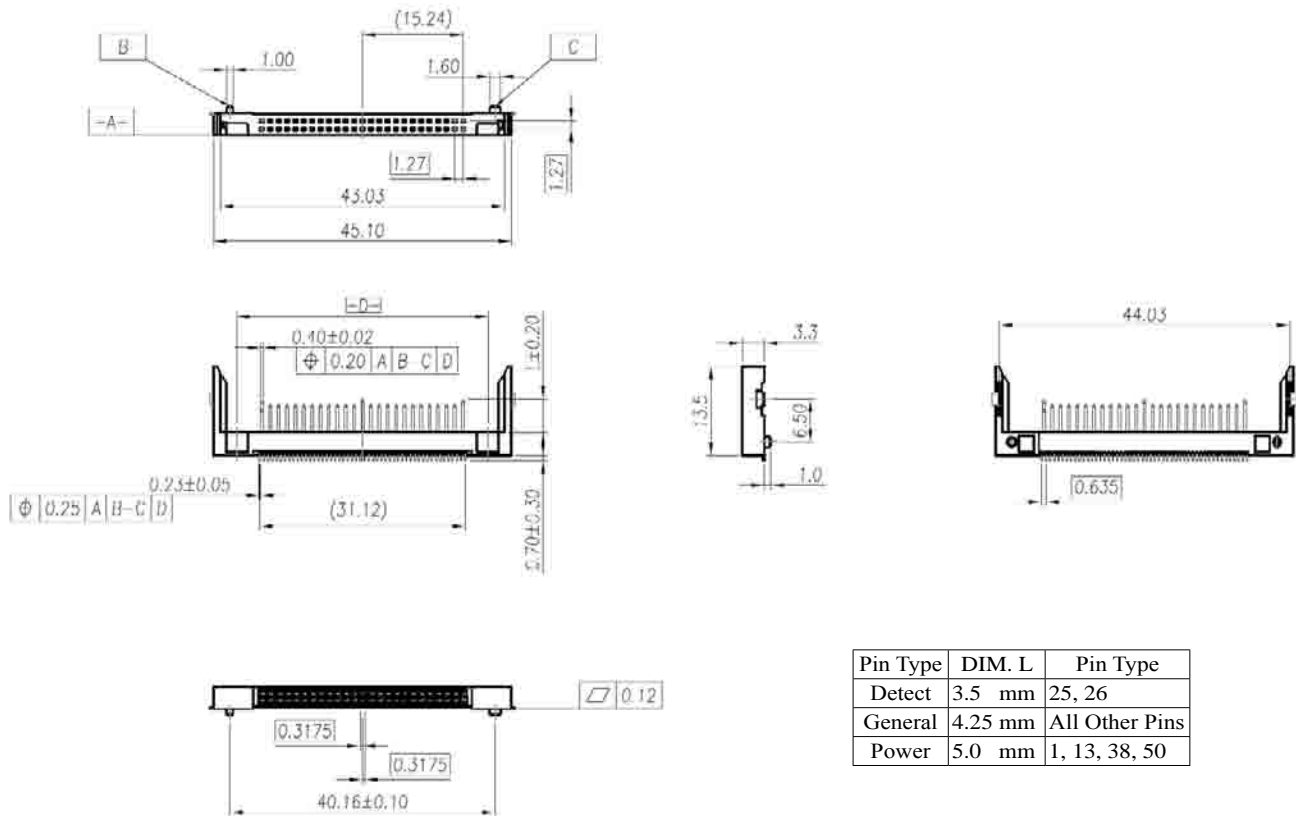
Insertion Cycles: 10000 times

* RoHS & REACH compliant.

MATERIAL:

Contact: Copper Alloy

Housing: High Temperature Plastic
(UL94V-0)



ORDERING INFORMATION:

P/N M C D - 6 6 4 C F 15
I

1. CONTACT FINISH:

"15" 15 MICROINCH GOLD

"30" 30 MICROINCH GOLD

COMPACT FLASH TYPE I, II CARD CONNECTOR SHORT & SLIM TYPE REACH=19.00MM

SPECIFICATION:

Withstanding Voltage: 500V AC Max for 1 min.

Insulation R.: 1000M Ω

Voltage Rating: 100V AC

Current Rating: 0.5A AC/DC Max.

Contact R.: 40m Ω Max.

Operating Temperature: -40 $^{\circ}$ c ~ +85 $^{\circ}$ c

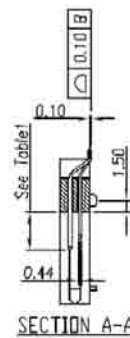
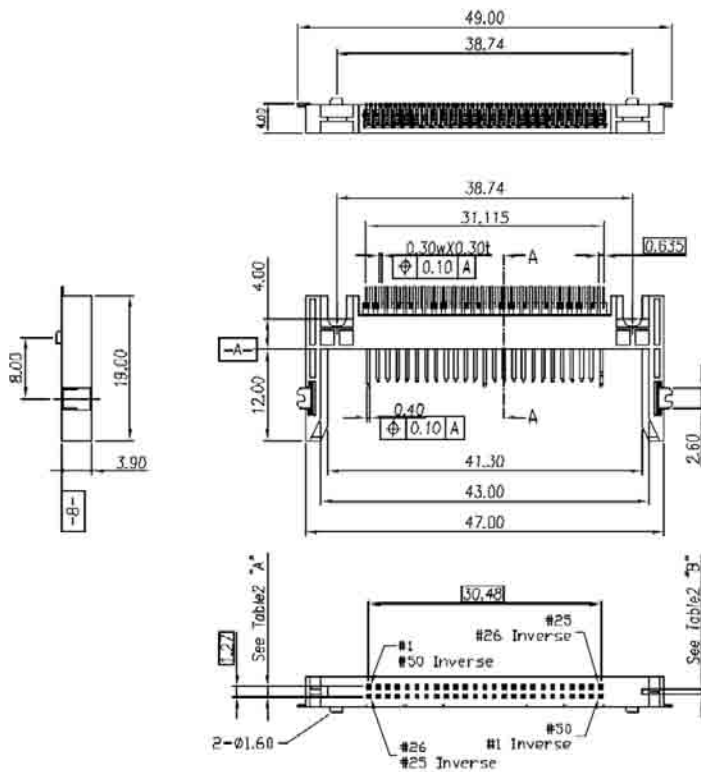
Insertion Cycles: 10000 times

* RoHS & REACH compliant.

MATERIAL:

Contact: Copper Alloy

Housing: High Temperature Plastic
(UL94V-0)



Pin Type	DIM. L	Pin Type
Detect	3.5 mm	25, 26
General	4.25 mm	All Other Pins
Power	5.0 mm	1, 13, 38, 50

TYPE	A	B
Normal	1.40 mm	0.79 mm
Inverse	0.79 mm	1.40 mm

ORDERING INFORMATION:

P/N M C D - $\frac{X X X}{1}$ C F $\frac{15}{2}$

1. MOUNT TYPE:

"671" NORMAL TYPE

"672" INVERSE TYPE

2. CONTACT FINISH:

"01" GOLD FLASH

"05" 05 MICROINCH GOLD

"15" 15 MICROINCH GOLD

COMPACT FLASH TYPE I, II CARD CONNECTOR SHORT & SLIM TYPE REACH=14.00MM

SPECIFICATION:

Withstanding Voltage: 500V AC Max for 1 min.

Insulation R.: 1000MΩ

Voltage Rating: 100V AC

Current Rating: 0.5A AC/DC Max.

Contact R.: 40mΩ Max.

Operating Temperature: -40°C ~ +85°C

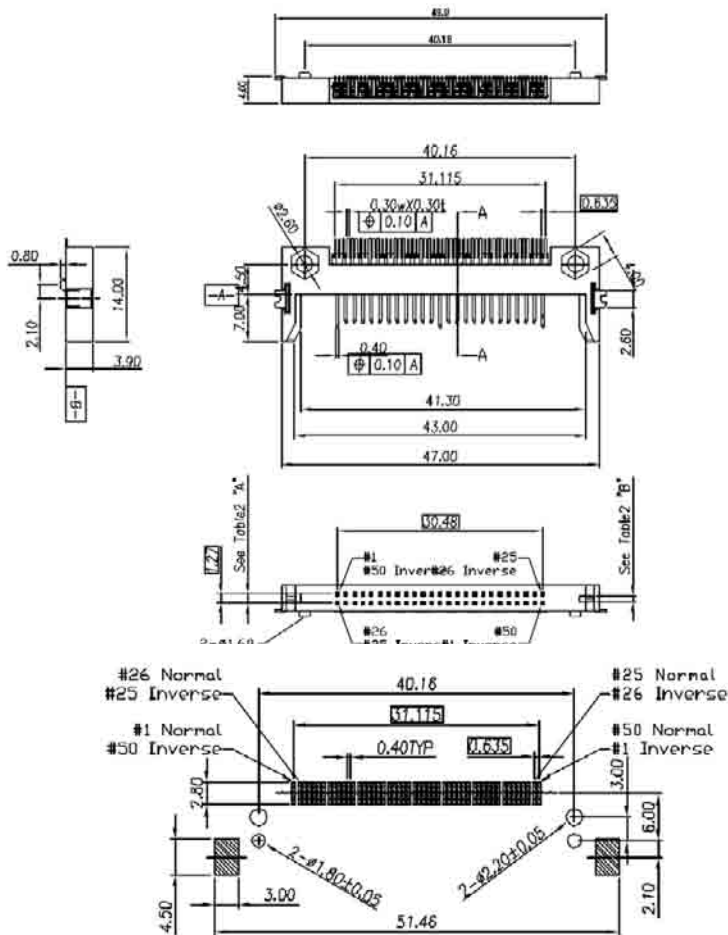
Insertion Cycles: 10000 times

* RoHS & REACH compliant.

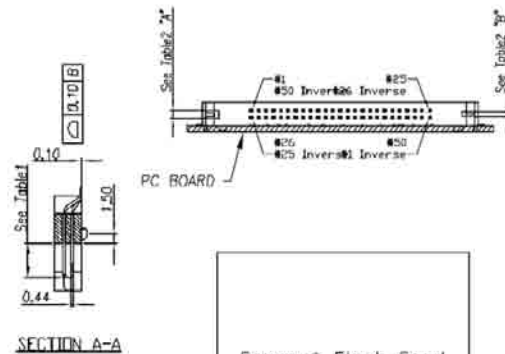
MATERIAL:

Contact: Copper Alloy

Housing: High Temperature Plastic
(UL94V-0)



Recommended P.C.Board Layout



CARD INSERTION

Pin Type	DIM. L	Pin Type
Detect	3.5 mm	25, 26
General	4.25 mm	All Other Pins
Power	5.0 mm	1, 13, 38, 50

TYPE	A	B
Normal	1.40 mm	0.79 mm
Inverse	0.79 mm	1.40 mm

ORDERING INFORMATION:

P/N M C D - $\frac{x x x}{1}$ C F $\frac{15}{2}$

1. MOUNT TYPE:

"673" NORMAL TYPE

"674" INVERSE TYPE

2. CONTACT FINISH:

"01" GOLD FLASH

"05" 05 MICROINCH GOLD

"15" 15 MICROINCH GOLD

COMPACT FLASH TYPE I,II CARD CONNECTOR STAND OFF 2.0MM REVERSE TYPE REACH=26.00MM

SPECIFICATION:

Voltage Rating: 100V DC Max.

Insulation R.: 1000MΩ

Current Rating: 0.5A AC/DC

Contact R.: 40mΩ Max.

Dielectric Strength: 500V AC for 1 min.

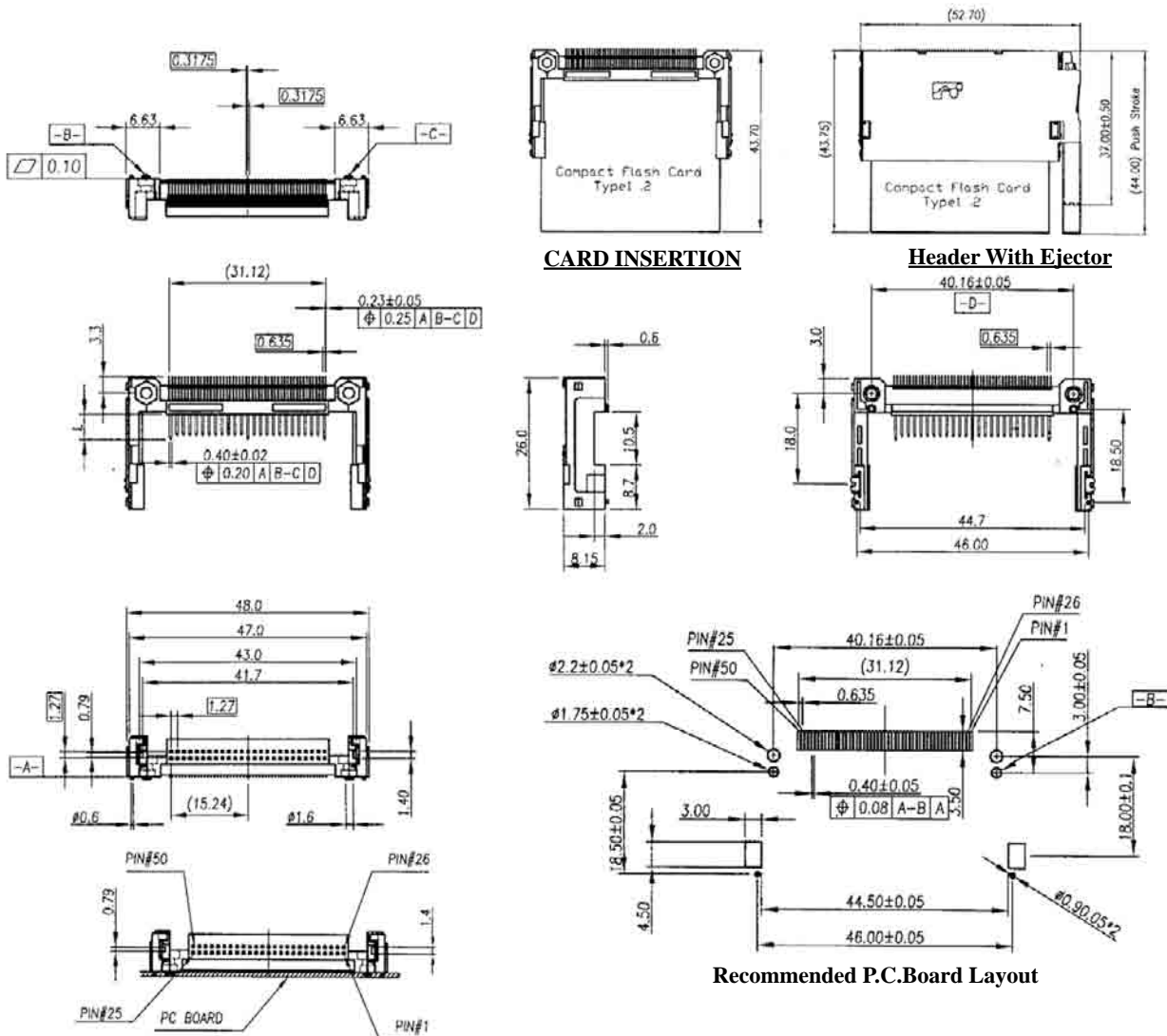
Operating Temperature: -40°C ~ +85°C

* RoHS & REACH compliant.

MATERIAL:

Housing: High Temperature Plastic
(UL94V-0)

Contact: Copper Alloy



ORDERING INFORMATION:

P/N MCD-684CF15

1. CONTACT FINISH:

"15" 15 MICROINCH GOLD

"30" 30 MICROINCH GOLD

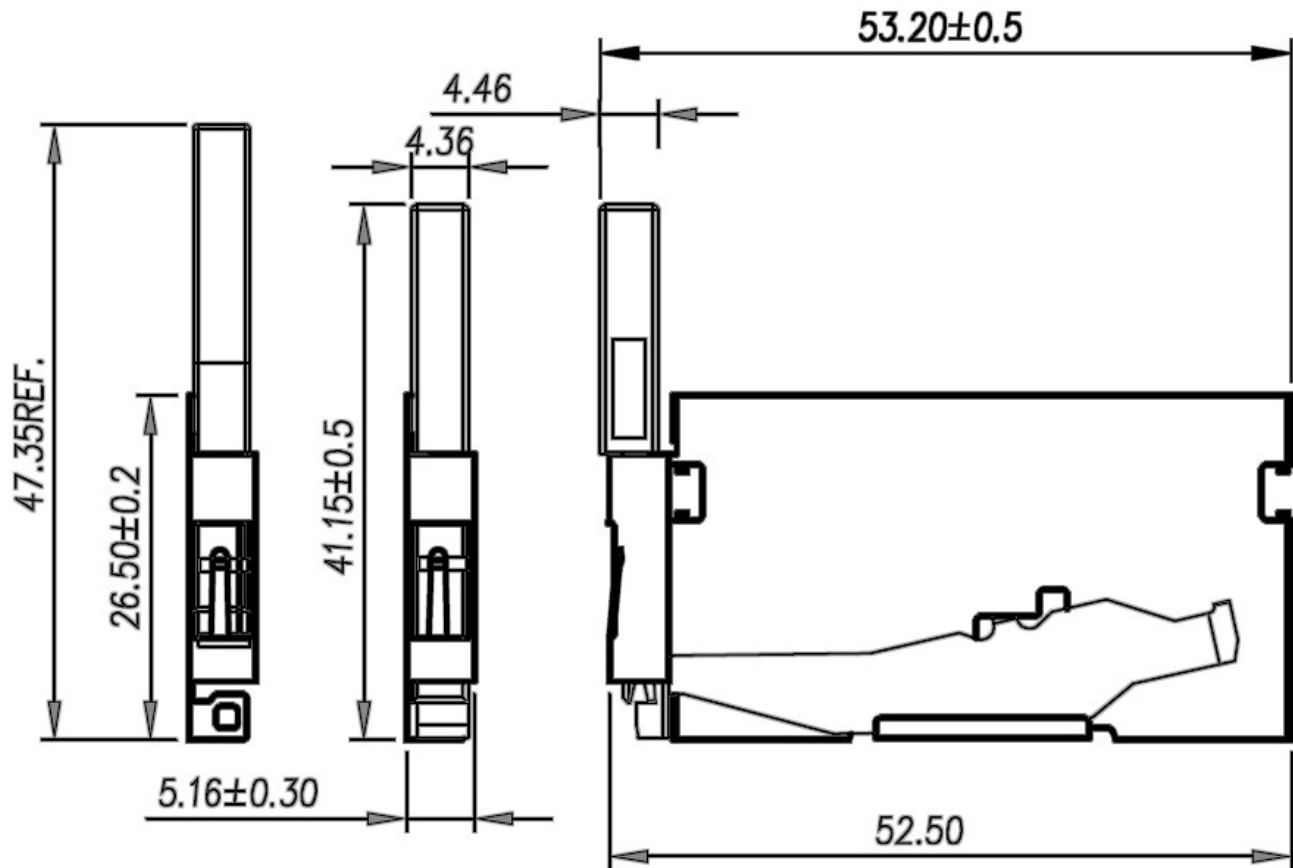
PUSH BUTTON LEFT EJECTOR FOR COMPACT FLASH CARD CONNECTOR

MATERIAL:

Housing: High Temperature Plastic (UL94V-0)

Cover: Stainless Steel

* RoHS & REACH compliant.



ORDERING INFORMATION:

P/N M C D - 6 8 5 C F

PUSH BUTTON "LEFT" EJECTOR FOR
COMPACT FLASH TYPE CARD CONNECTOR

P/N MCD-643CF, MCD-644CF, MCD-645CF,
MCD-646CF & MCD-647CF USE

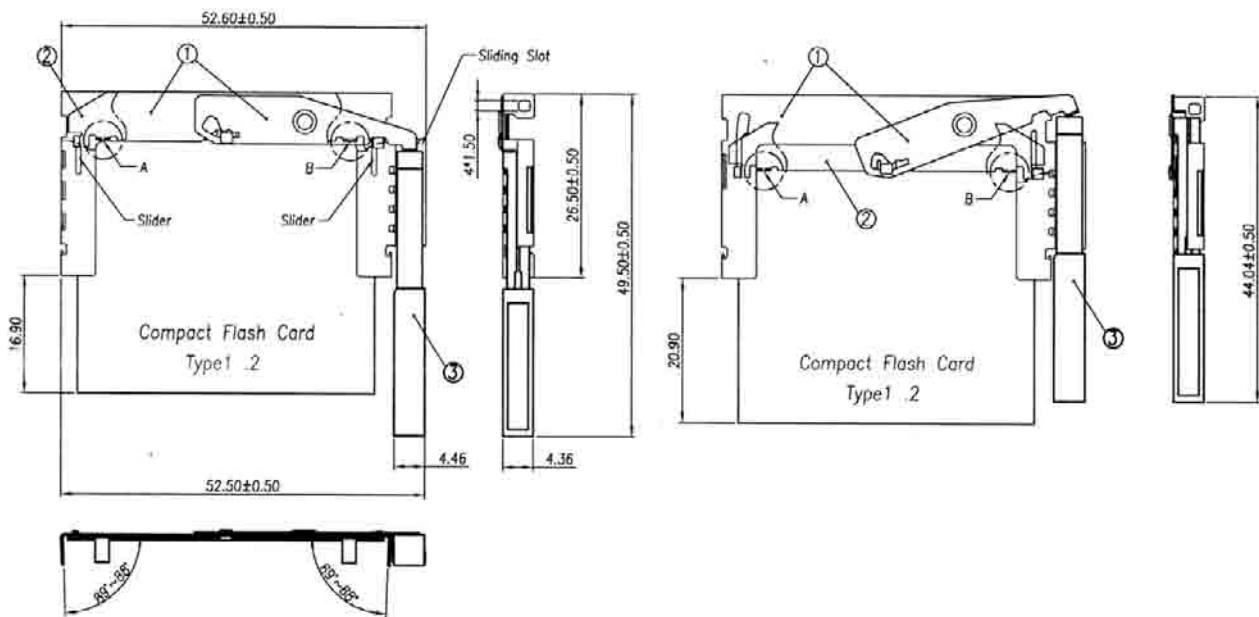
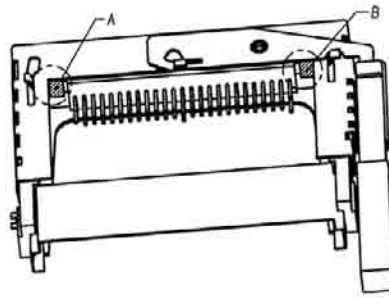
PUSH BUTTON EJECTOR WITH DOUBLE POINTS FOR COMPACT FLASH CARD CONNECTOR

MATERIAL:

Housing: High Temperature Plastic (UL94V-0)

Cover: Stainless Steel

* RoHS & REACH compliant.



ORDERING INFORMATION:

P/N MCD - 686CF

PUSH BUTTON EJECTOR DOUBLE POINTS FOR
COMPACT FLASH TYPE CARD CONNECTOR

P/N MCD-643CF, MCD-644CF, MCD-645CF,
MCD-646CF & MCD-647CF USE

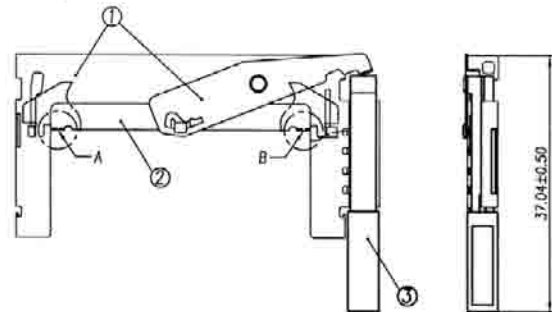
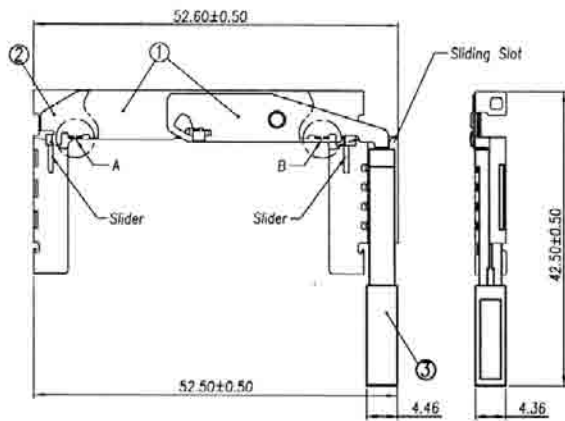
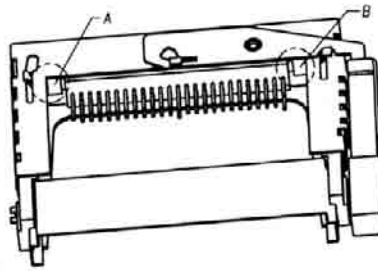
PUSH BUTTON EJECTOR WITH DOUBLE POINTS FOR COMPACT FLASH CARD CONNECTOR

MATERIAL:

Housing: High Temperature Plastic (UL94V-0)

Cover: Stainless Steel

* RoHS & REACH compliant.



ORDERING INFORMATION:

P/N M C D - 6 8 7 C F

PUSH BUTTON EJECTOR DOUBLE POINTS FOR
COMPACT FLASH TYPE CARD CONNECTOR
P/N MCD-641CF USE ONLY

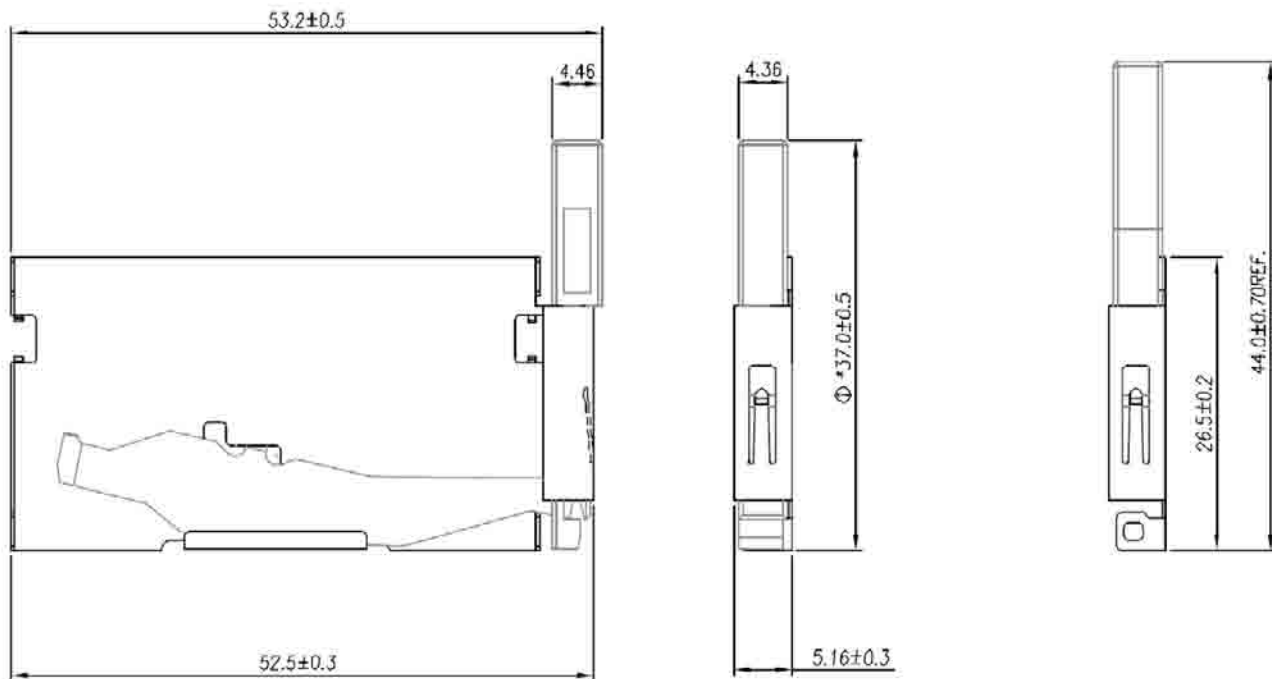
PUSH BUTTON EJECTOR FOR COMPACT FLASH CARD CONNECTOR

MATERIAL:

Housing: High Temperature Plastic (UL94V-0)

Cover: Stainless Steel

* RoHS & REACH compliant.



ORDERING INFORMATION:

P/N MCD-688CF

PUSH BUTTON EJECTOR FOR
COMPACT FLASH TYPE CARD CONNECTOR
P/N MCD-641CF USE ONLY

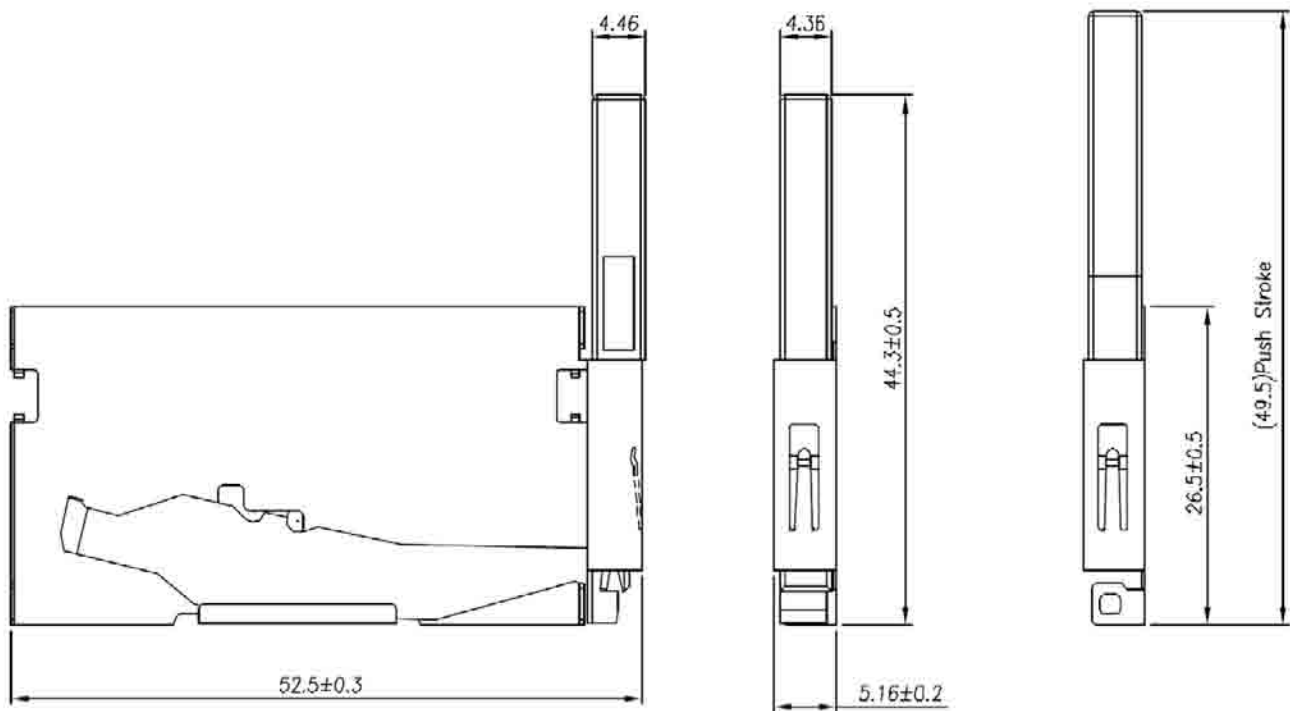
PUSH BUTTON EJECTOR FOR COMPACT FLASH CARD CONNECTOR

MATERIAL:

Housing: High Temperature Plastic (UL94V-0)

Cover: Stainless Steel

* RoHS & REACH compliant.



ORDERING INFORMATION:

P/N M C D - 6 8 9 C F

PUSH BUTTON EJECTOR FOR
COMPACT FLASH TYPE CARD CONNECTOR
P/N MCD-643CF, MCD-644CF, MCD-645CF,
MCD-646CF & MCD-647CF USE

COMPACT FLASH CARD CONNECTOR REACH = 13.75MM

SPECIFICATIONS

Current Rating: 0.5 AMP Max

Dielectric Withstanding: 500VAC For 1 Minute

Insulation R.: 1000MΩ Min At DC 500V

Operating Temperature: -40°C ~ +85°C

* RoHS & REACH compliant.

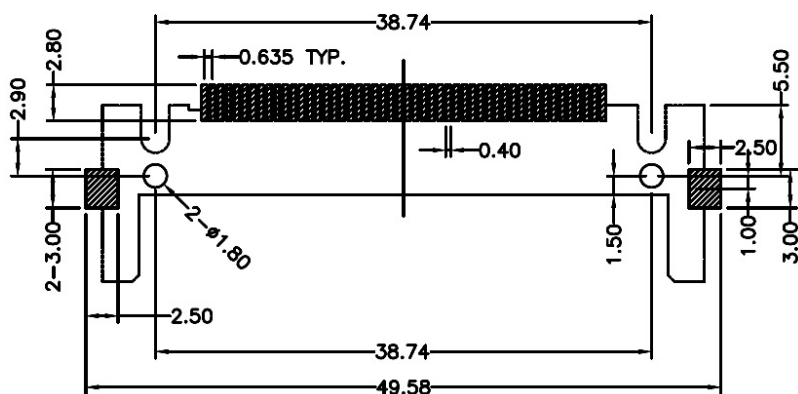
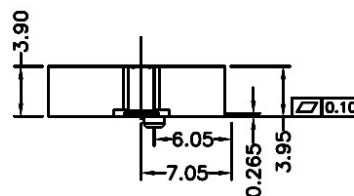
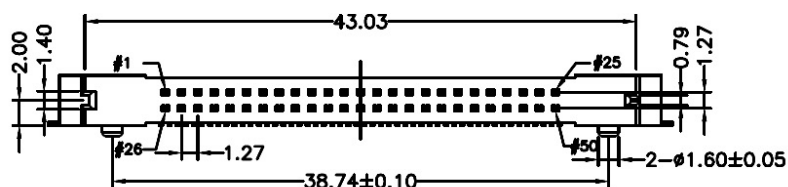
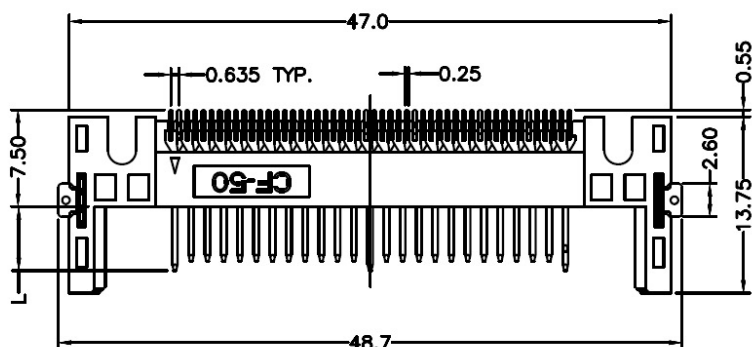
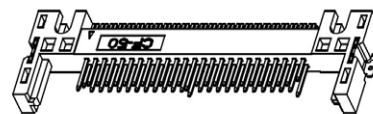
MATERIAL:

Housing: Hi-Temp, Plastic(UL 94V-0)

Terminal: Copper Alloy, Gold Plated

On Contact Area Tin Plating On Solder

Tail



Recommended P.C.Board Layout

ORDERING INFORMATION:

P/N M C D - 6 J 1 C F X X
I

1. CONTACT FINISH:

"01" GOLD FLASH

"30" 30 MICROINCH GOLD

COMPACT FLASH TYPE I,II CARD CONNECTOR REACH = 19.00MM

SPECIFICATIONS

Current Rating: 0.5 AMP Max

Dielectric Withstanding: 500VAC For 1 Minute

Insulation R.: 1000MΩ Min At DC 500V

Operating Temperature: -40°C ~ +85°C

* RoHS & REACH compliant.

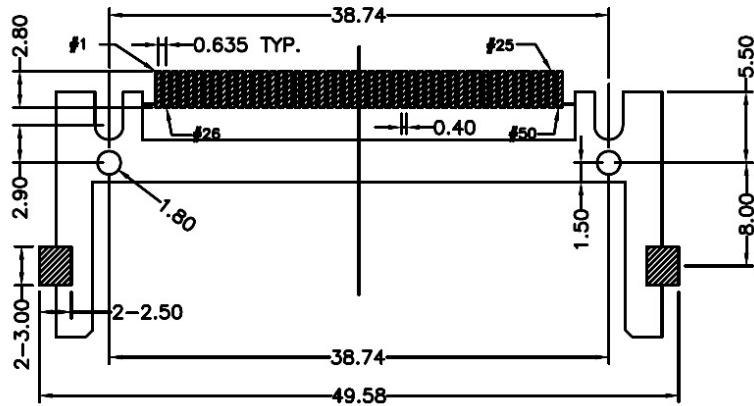
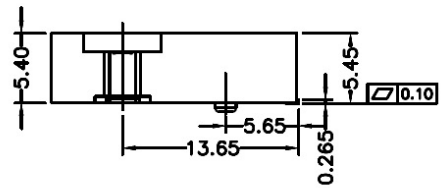
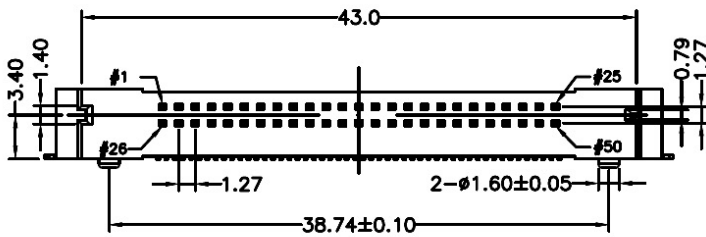
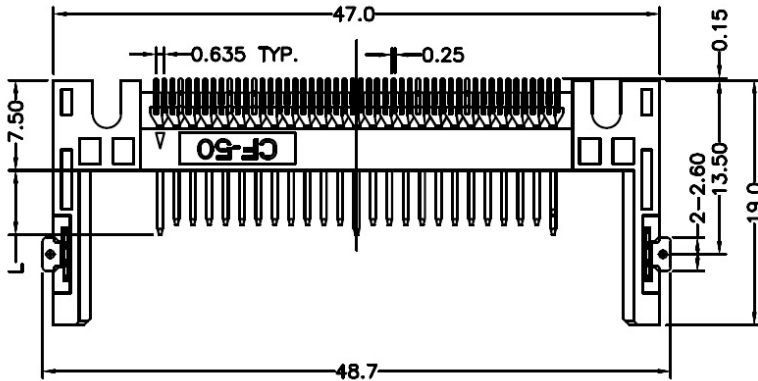
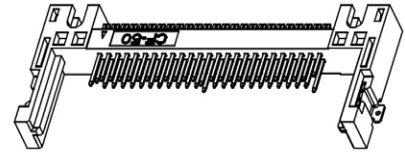
MATERIAL:

Housing: Hi-Temp, Plastic(UL 94V-0)

Terminal: Copper Alloy, Gold Plated

On Contact Area Tin Plating On Solder

Tail



Recommended P.C.Board Layout

ORDERING INFORMATION:

P/N M C D - 6 J 2 C F X X
I

1. CONTACT FINISH:

"01" GOLD FLASH

"30" 30 MICROINCH GOLD

COMPACT FLASH CARD CONNECTOR REACH = 26.00MM

SPECIFICATIONS

Current Rating: 0.5 AMP Max

Dielectric Withstanding: 500VAC For 1 Minute

Insulation R.: 1000MΩ Min At DC 500V

Operating Temperature: -40°C ~ +85°C

* RoHS & REACH compliant.

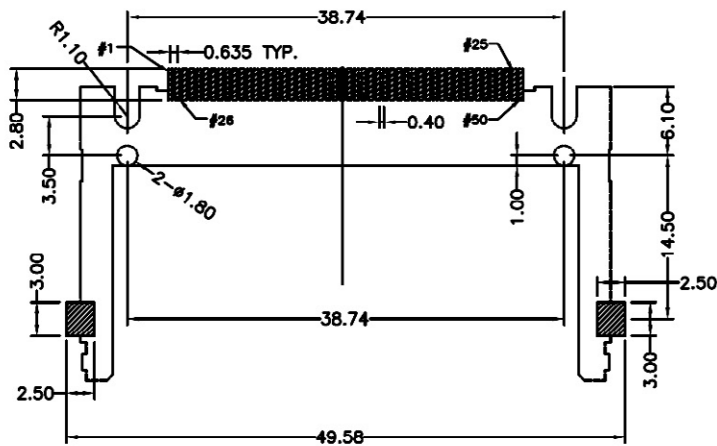
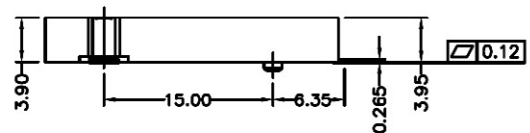
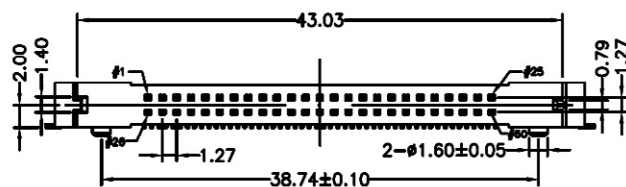
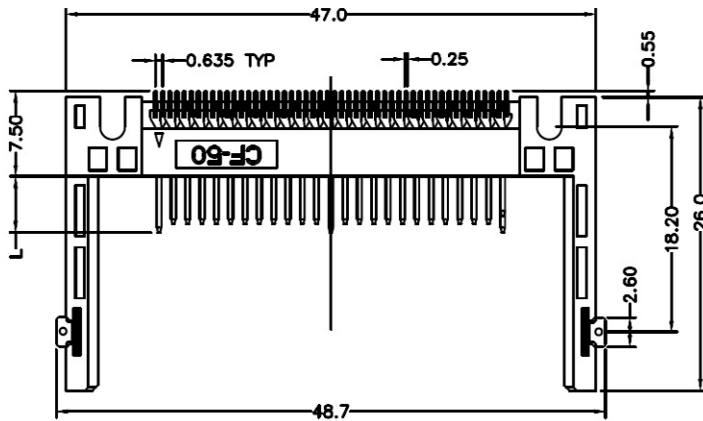
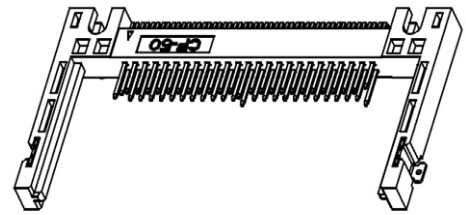
MATERIAL:

Housing: Hi-Temp, Plastic(UL 94V-0)

Terminal: Copper Alloy, Gold Plated

On Contact Area Tin Plating On Solder

Tail



Recommended P.C.Board Layout

ORDERING INFORMATION:

P/N M C D - 6 J 3 C F X X
I

1. CONTACT FINISH:

"01" GOLD FLASH

"30" 30 MICROINCH GOLD

COMPACT FLASH CARD CONNECTOR REACH = 26.00MM

SPECIFICATIONS

Current Rating: 0.5 AMP Max

Dielectric Withstanding: 500VAC For 1 Minute

Insulation R.: 1000MΩ Min At DC 500V

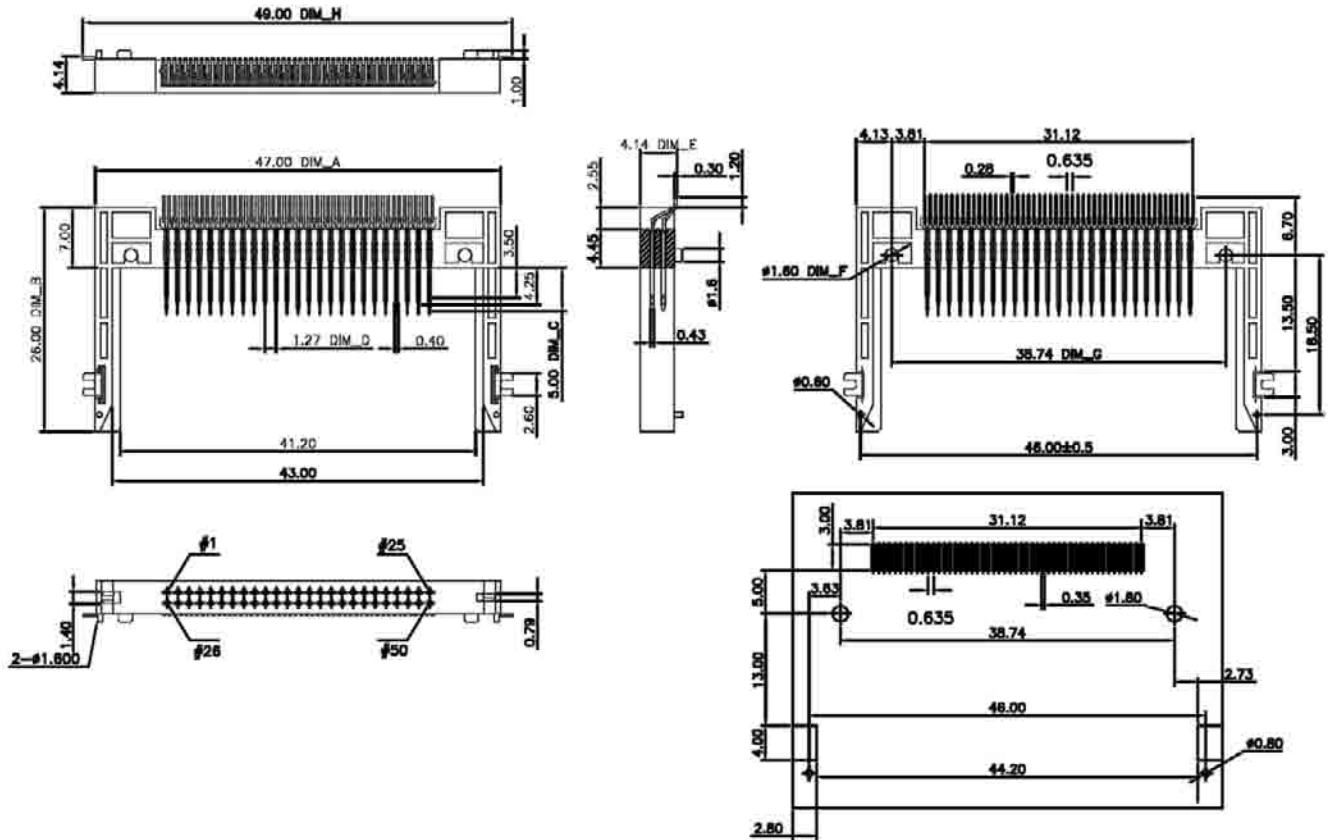
Operating Temperature: -40°C ~ +85°C

* RoHS & REACH compliant.

MATERIAL:

Housing: Hi-Temp, Plastic(UL 94V-0)

Terminal: Copper Alloy, Gold Plated
On Contact Area Tin Plating On Solder Tail



Recommended P.C.Board Layout

ORDERING INFORMATION:

P/N M C D - 6 J 4 C F 0 1
I

1. CONTACT FINISH:

"01" GOLD FLASH

"10" 10 MICROINCH GOLD

"30" 30 MICROINCH GOLD

COMPACT FLASH TYPE I,II CARD CONNECTOR STAND OFF 1.65MM SLIM TYPE REACH =26.50MM

SPECIFICATION:

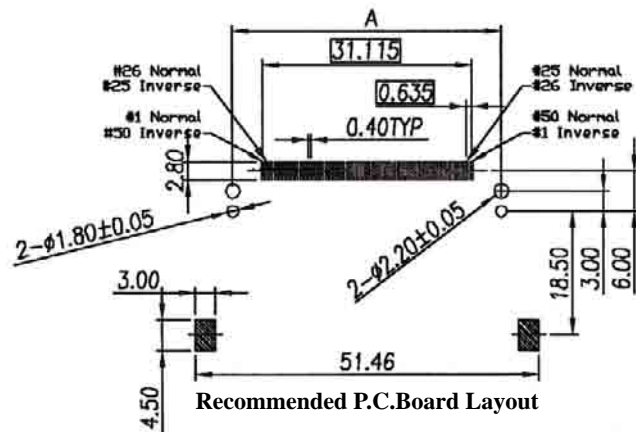
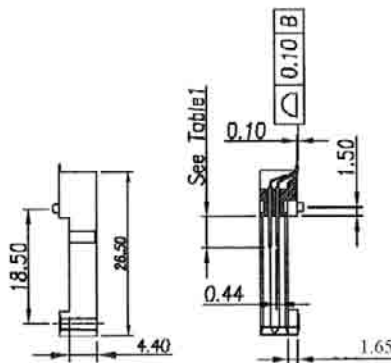
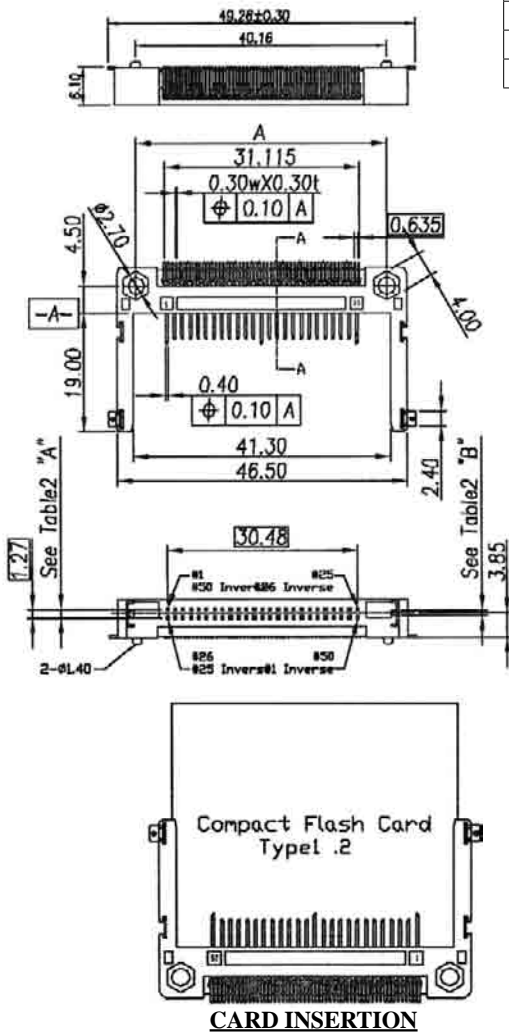
Voltage Raing: 100V DC Max.
Insulation R.: 1000M Ω
Current Rating: 0.5A AC/DC
Contact R.: 40m Ω Max.
Dielectric Strength: 500V AC for 1 min.
Operating Temperature: -40 $^{\circ}$ C ~ +85 $^{\circ}$ C
 * RoHS & REACH compliant.

MATERIAL:

Housing: High Temperature Plastic
 (UL94V-0)
Contact: Copper Alloy

Pin Type	Interface Dim.	Pin No.
Detect	3.5 mm	25, 26
General	4.25 mm	All Other Pins
Power	5.0 mm	1, 13, 38, 50

TYPE	A	B
Normal	1.40 mm	0.79 mm
Inverse	0.79 mm	1.40 mm



ORDERING INFORMATION:

P/N M C D - $\frac{x}{1} \frac{x}{2}$ C F $\frac{1}{2}$

1. MOUNT TYPE & DIMENSION A:
 "669" NORMAL TYPE A=40.16MM
 "670" INVERSE TYPE A=40.16MM
 "6L1" NORMAL TYPE A=38.74MM
 "6L2" INVERSE TYPE A=38.74MM

2. CONTACT FINISH:
 "01" GOLD FLASH
 "05" 5 MICROINCH GOLD
 "10" 10 MICROINCH GOLD
 "15" 15 MICROINCH GOLD

COMPACT FLASH CARD CONNECTOR SLIM TYPE REACH = 19.00MM

SPECIFICATIONS

Current Rating: 0.5 AMP Max

Dielectric Withstanding: 500VAC For 1 Minute

Insulation R.: 1000MΩ Min At DC 500V

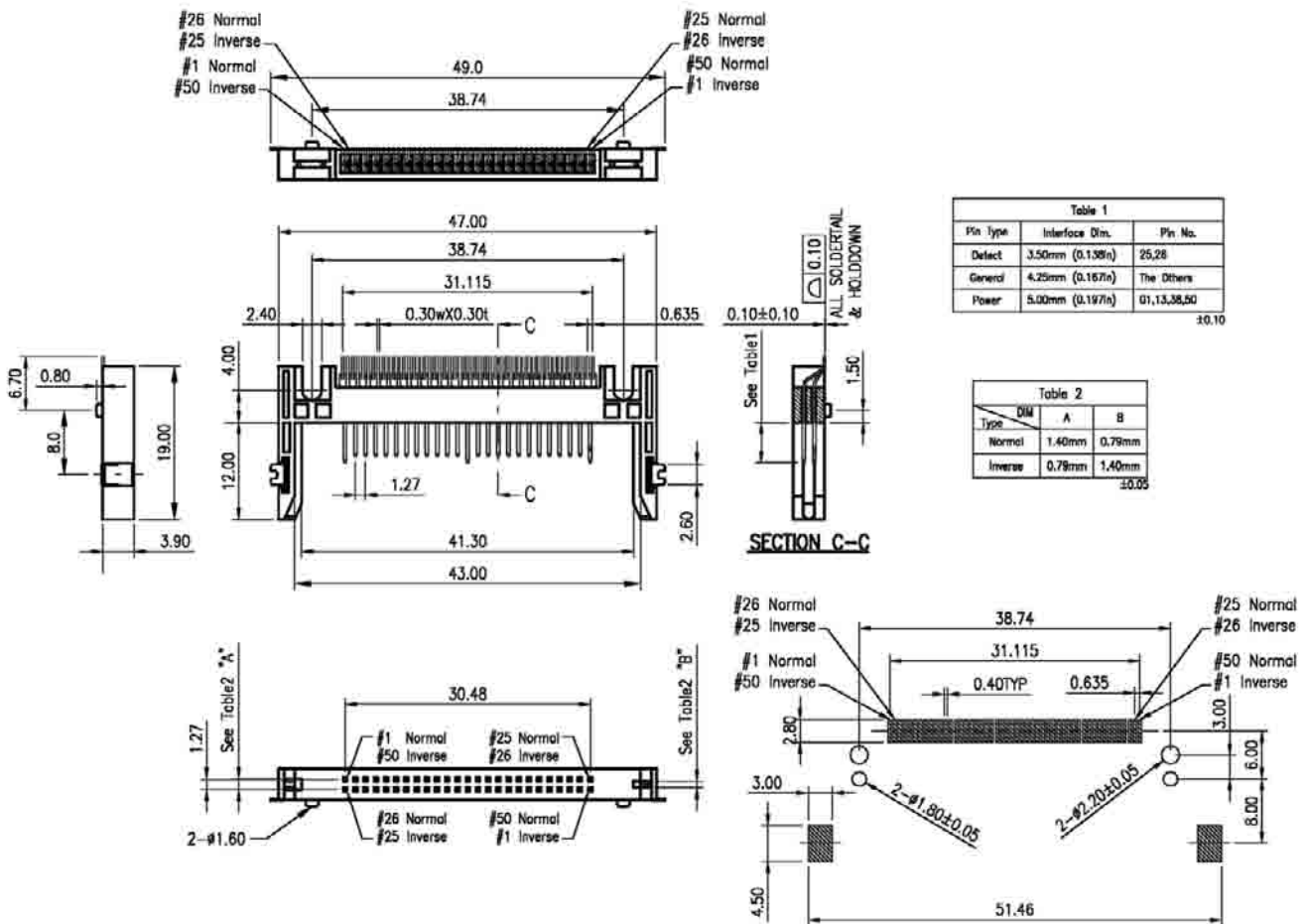
Operating Temperature: -40°C ~ +85°C

* RoHS & REACH compliant.

MATERIAL:

Housing: Hi-Temp, Plastic(UL 94V-0)

Contacts: Copper Alloy



Pin Type	Interface Dim.	Pin No.
Deflect	3.50mm (0.138in)	25,28
General	4.25mm (0.167in)	The Others
Power	5.00mm (0.197in)	G1,13,38,50

Type	Dim. A	Dim. B
Normal	1.40mm	0.79mm
Inverse	0.79mm	1.40mm

Recommended P.C.Board Layout

ORDERING INFORMATION:

P/N M C D - $\frac{xxx}{1}$ C F $\frac{xxx}{2}$ $\frac{x}{3}$

1. POST PITCH & MOUNT TYPE:
"6K1" 38.74MM NORMAL TYPE
"6K2" 38.74MM INVERSE TYPE
2. CONTACT AREA PLATING:
"01" GOLD FLASH
"15" 15 MICROINCH GOLD
"30" 30 MICROINCH GOLD

3. HOUSING COLOR:
"W" WHITE
"B" BLACK

COMPACT FLASH CARD CONNECTOR SLIM TYPE REACH = 14.00MM

SPECIFICATIONS

Current Rating: 0.5 AMP Max

Dielectric Withstanding: 500VAC For 1 Minute

Insulation R.: 1000MΩ Min At DC 500V

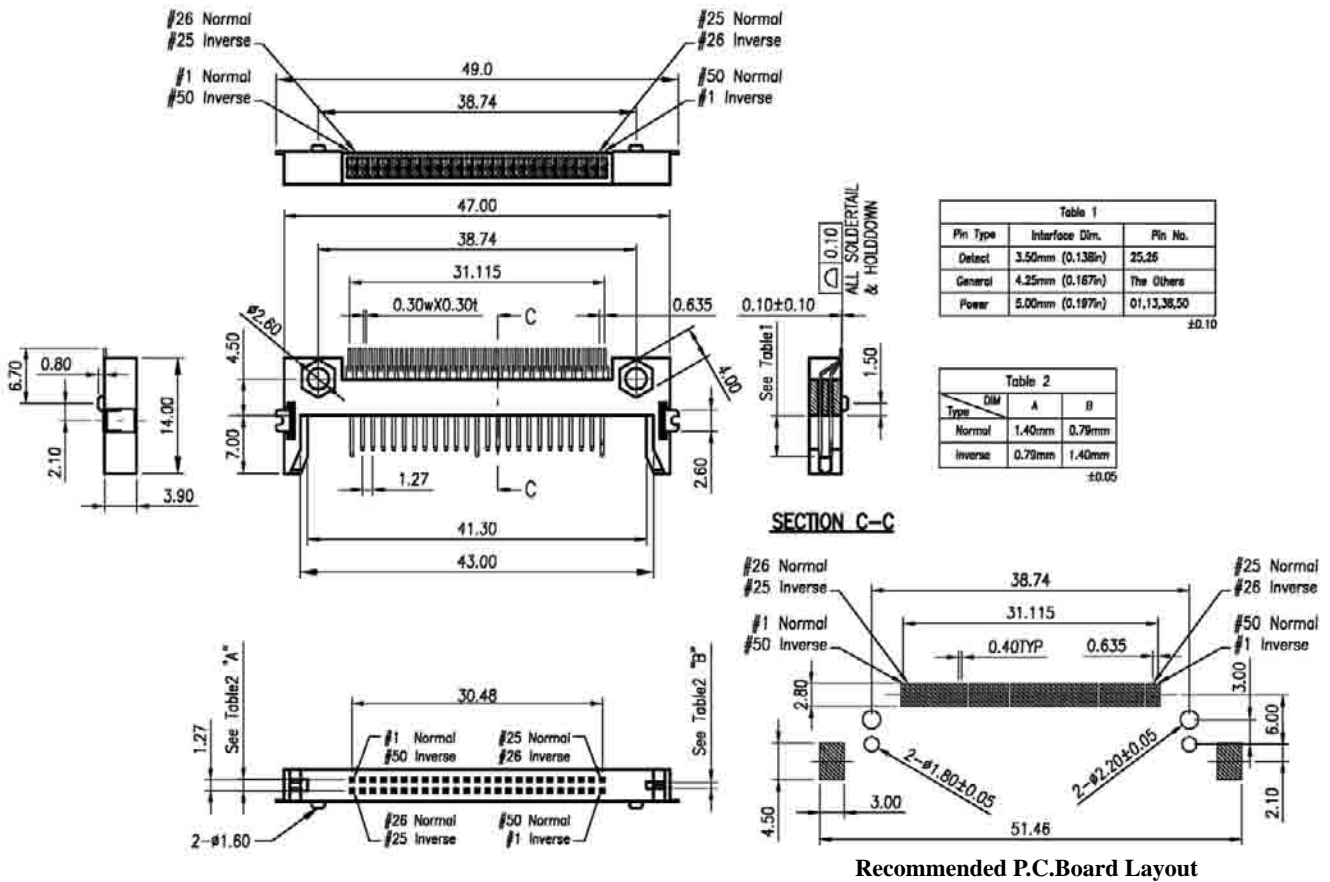
Operating Temperature: -40°C ~ +85°C

* RoHS & REACH compliant.

MATERIAL:

Housing: Hi-Temp, Plastic(UL 94V-0)

Contacts: Copper Alloy



ORDERING INFORMATION:

P/N M C D - $\frac{xxx}{1}$ C F $\frac{xxx}{2}$ $\frac{x}{3}$

1. POST PITCH & MOUNT TYPE:
"6K3" 38.74MM NORMAL TYPE
"6K4" 38.74MM INVERSE TYPE
2. CONTACT AREA PLATING:
"01" GOLD FLASH
"15" 15 MICROINCH GOLD
"30" 30 MICROINCH GOLD

3. HOUSING COLOR:
"W" WHITE
"B" BLACK

COMPACT FLASH CARD CONNECTOR SLIM TYPE REACH = 19.00MM

SPECIFICATIONS

Current Rating: 0.5 AMP Max

Dielectric Withstanding: 500VAC For 1 Minute

Insulation R.: 1000MΩ Min At DC 500V

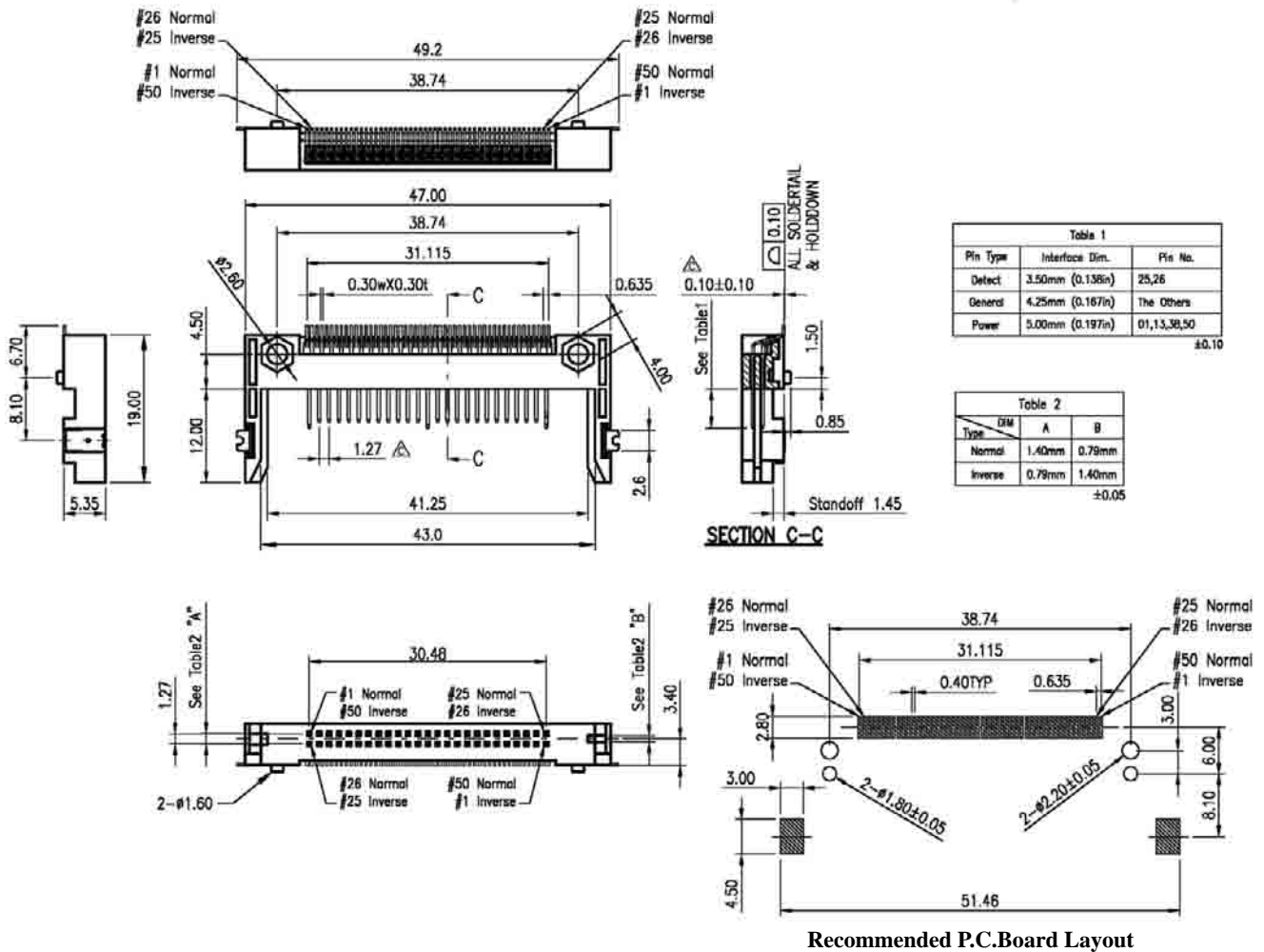
Operating Temperature: -40°C ~ +85°C

* RoHS & REACH compliant.

MATERIAL:

Housing: Hi-Temp, Plastic(UL 94V-0)

Contacts: Copper Alloy



ORDERING INFORMATION:

P/N M C D - $\frac{X X X}{1}$ C F $\frac{X X X}{2}$ $\frac{X}{3}$

1. POST PITCH & MOUNT TYPE:
"6K5" 38.74MM NORMAL TYPE
"6K6" 38.74MM INVERSE TYPE
2. CONTACT AREA PLATING:
"01" GOLD FLASH
"15" 15 MICROINCH GOLD
"30" 30 MICROINCH GOLD

3. HOUSING COLOR:
"W" WHITE
"B" BLACK

COMPACT FLASH CARD CONNECTOR SLIM TYPE REACH = 26.00MM

SPECIFICATIONS

Current Rating: 0.5 AMP Max

Dielectric Withstanding: 500VAC For 1 Minute

Insulation R.: 1000MΩ Min At DC 500V

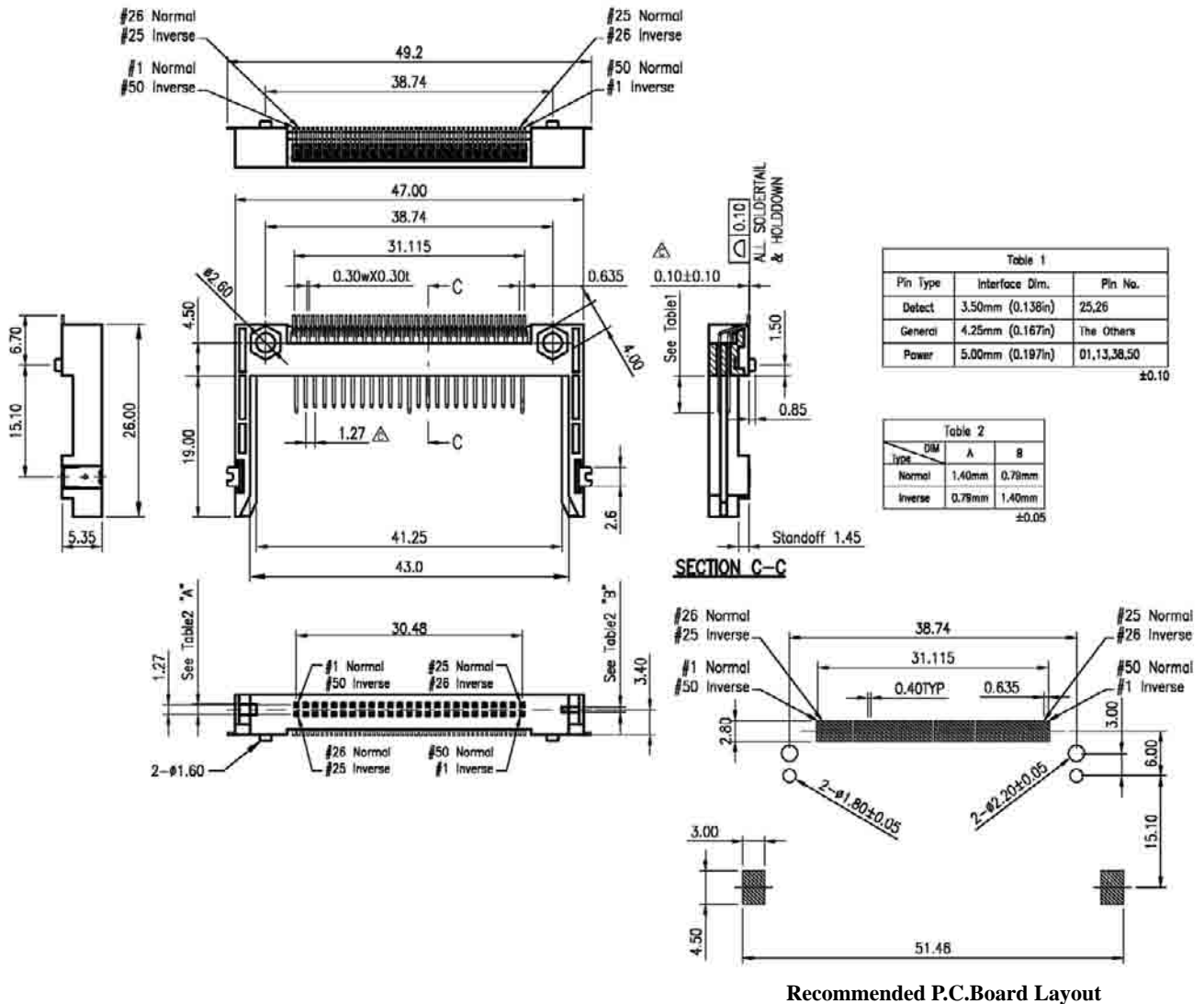
Operating Temperature: -40°C ~ +85°C

* RoHS & REACH compliant.

MATERIAL:

Housing: Hi-Temp, Plastic(UL 94V-0)

Contacts: Copper Alloy



ORDERING INFORMATION:

P/N M C D - $\frac{xxx}{1}$ C F $\frac{xxx}{2}$ $\frac{xxx}{3}$

1. POST PITCH & MOUNT TYPE:
"6K7" 38.74MM NORMAL TYPE
"6K8" 38.74MM INVERSE TYPE
2. CONTACT AREA PLATING:
"01" GOLD FLASH
"15" 15 MICROINCH GOLD
"30" 30 MICROINCH GOLD

3. HOUSING COLOR:
"W" WHITE
"B" BLACK

COMPACT FLASH CARD CONNECTOR SLIM TYPE REACH = 19.00MM

SPECIFICATIONS

Current Rating: 0.5 AMP Max

Dielectric Withstanding: 500VAC For 1 Minute

Insulation R.: 1000MΩ Min At DC 500V

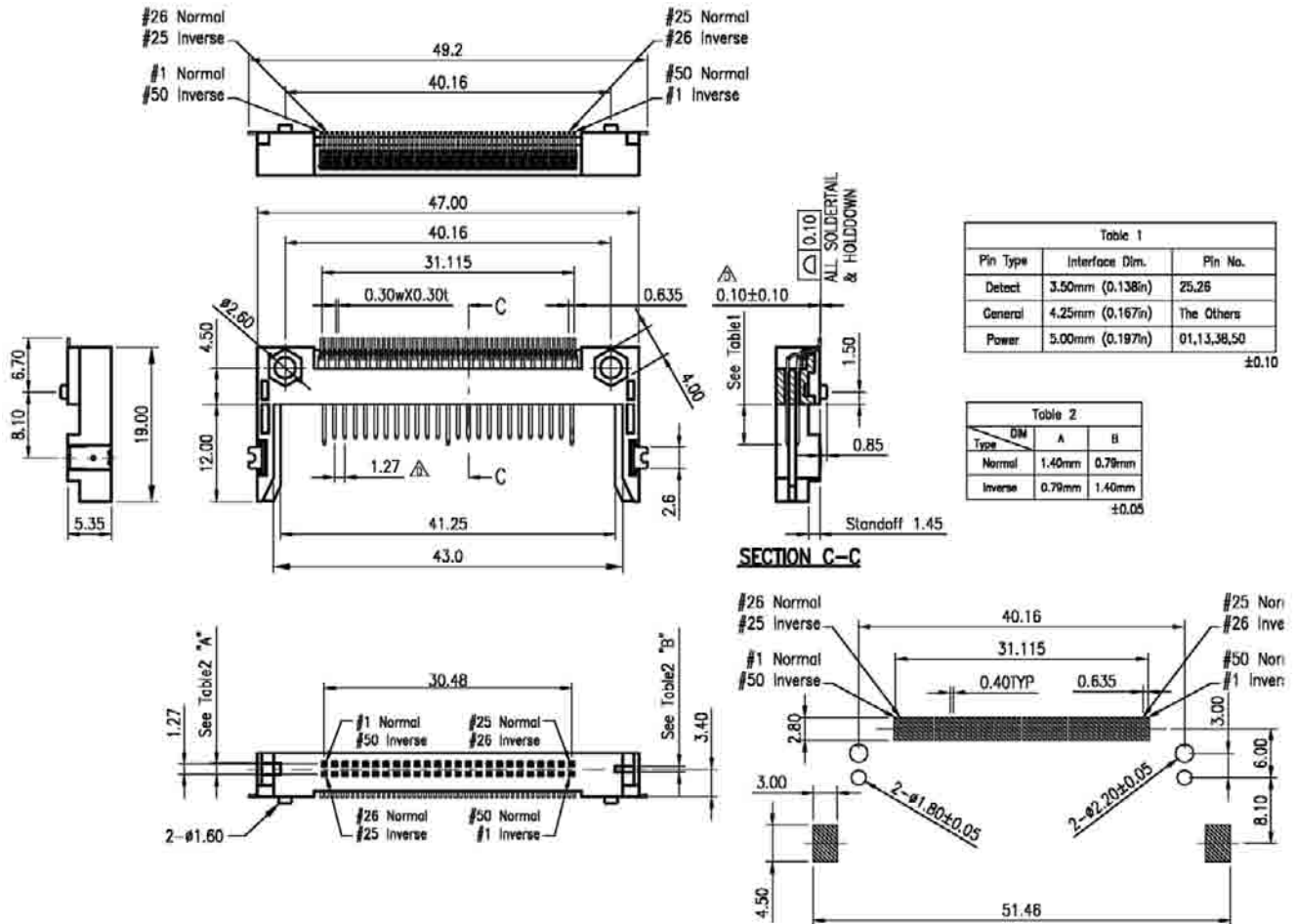
Operating Temperature: -40°C ~ +85°C

* RoHS & REACH compliant.

MATERIAL:

Housing: Hi-Temp, Plastic(UL 94V-0)

Contacts: Copper Alloy



Recommended P.C.Board Layout

ORDERING INFORMATION:

P/N M C D - $\frac{X X X}{1}$ C F $\frac{X X X}{2}$ $\frac{X}{3}$

1. POST PITCH & MOUNT TYPE:
"6K9" 40.16MM NORMAL TYPE
"6L4" 40.16MM INVERSE TYPE
2. CONTACT AREA PLATING:
"01" GOLD FLASH
"15" 15 MICROINCH GOLD
"30" 30 MICROINCH GOLD

3. HOUSING COLOR:
"W" WHITE
"B" BLACK

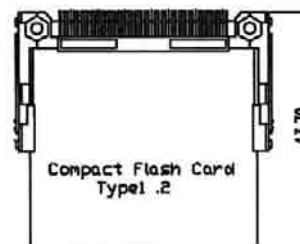
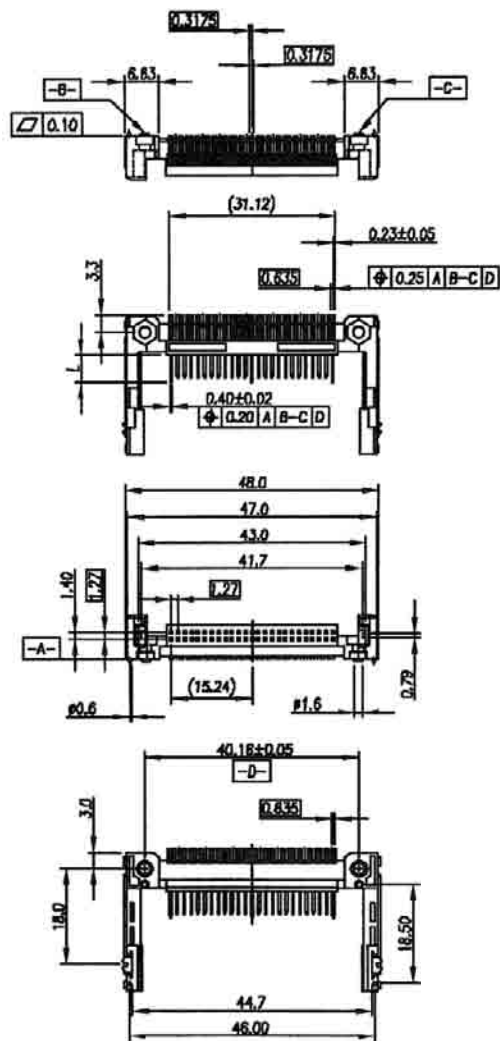
COMPACT FLASH TYPE I,II CARD CONNECTOR STAND OFF 2.0MM NORMAL TYPE REACH=26.0MM

SPECIFICATION:

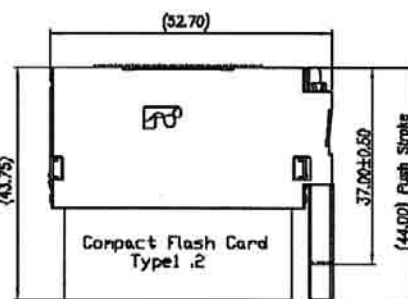
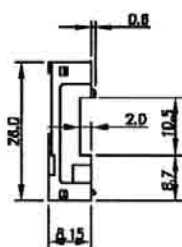
Voltage Raing: 100V AC
 Insulation R.: 1000MΩ
 Current Rating: 0.5A
 Contact R.: 40mΩ Max.
 Dielectric Strength: 500V AC for 1 min.
 Operating Temperature: -40°C ~ +85°C
 * RoHS & REACH compliant.

MATERIAL:

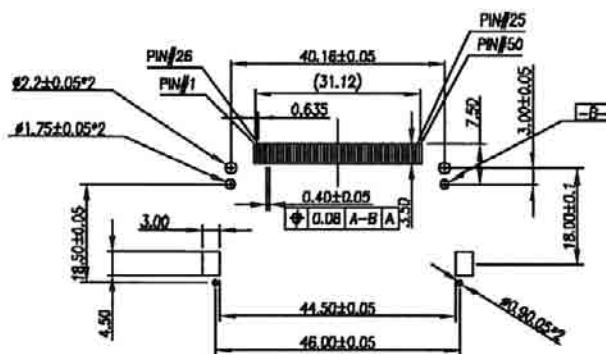
Housing: High Temperature Plastic
 (UL94V-0)
 Contact: Copper Alloy



CARD INSERTION



Header With Ejector



Recommended P.C.Board Layout

ORDERING INFORMATION:

P/N MCD - 6 L 3 C F 15
 I

- CONTACT FINISH:
 "15" 15 MICROINCH GOLD
 "30" 30 MICROINCH GOLD

COMPACT FLASH CARD CONNECTOR SLIM TYPE REACH = 26.00MM

SPECIFICATIONS

Current Rating: 0.5 AMP Max

Dielectric Withstanding: 500VAC For 1 Minute

Insulation R.: 1000MΩ Min At DC 500V

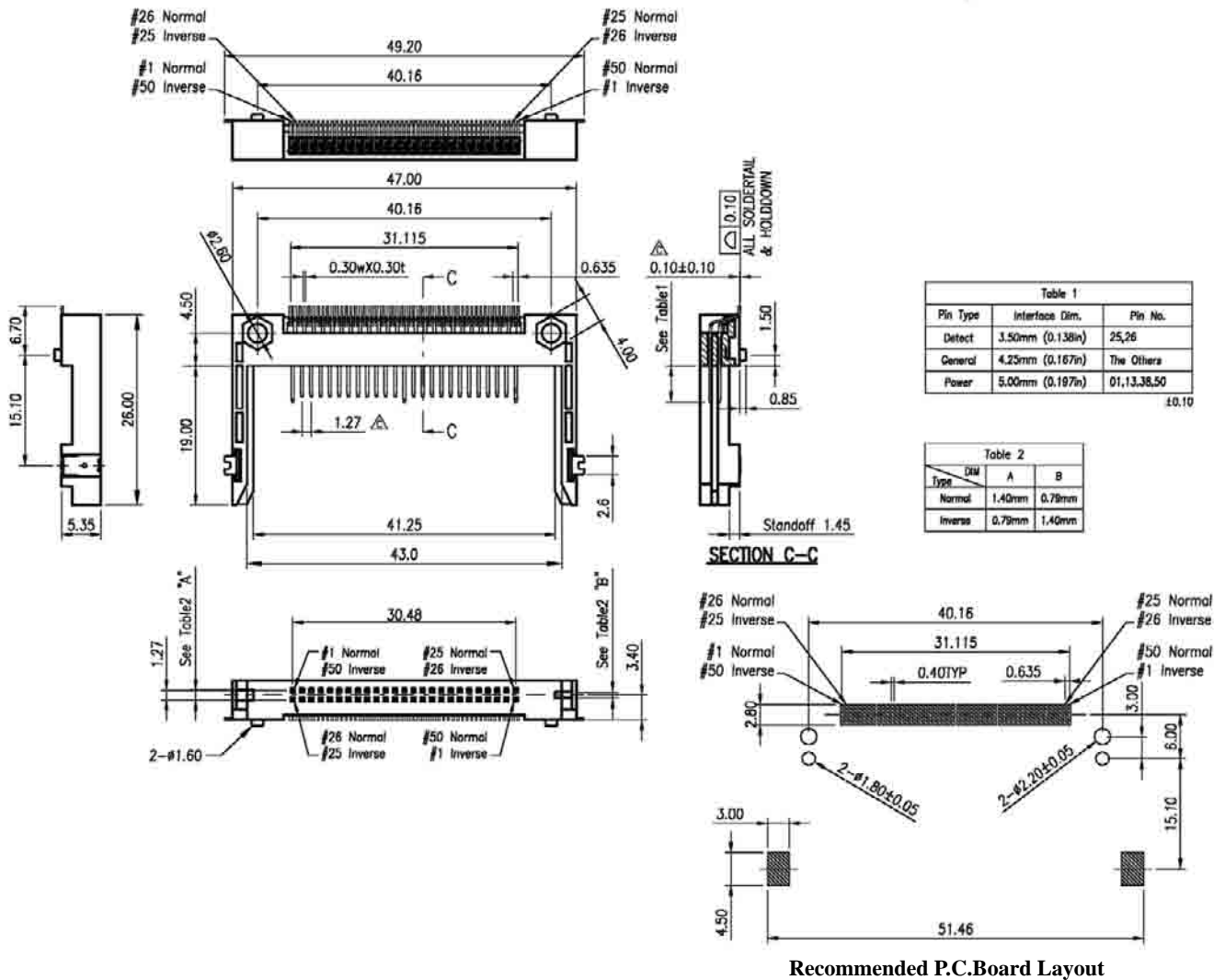
Operating Temperature: -40°C ~ +85°C

* RoHS & REACH compliant.

MATERIAL:

Housing: Hi-Temp, Plastic(UL 94V-0)

Contacts: Copper Alloy



ORDERING INFORMATION:

P/N M C D - $\frac{1}{\text{XXX}}$ C F $\frac{2}{\text{XXX}}$ $\frac{3}{\text{X}}$

1. POST PITCH & MOUNT TYPE:
"6L5" 40.16MM NORMAL TYPE
"6L6" 40.16MM INVERSE TYPE
2. CONTACT AREA PLATING:
"01" GOLD FLASH
"15" 15 MICROINCH GOLD
"30" 30 MICROINCH GOLD

3. HOUSING COLOR:
"W" WHITE
"B" BLACK

SIM CARD 6 PIN CONNECTOR LOW PROFILE SIMPLE TYPE H=0.50MM

SPECIFICATION:

Withstanding Voltage: 500V AC Max for 1 min.

Insulation R.: 1000M Ω

Voltage Rating: 5 Volts Max.

Current Rating: 10mA Max.

Contact R.: 30m Ω Max.

Operating Temperature: -40 $^{\circ}$ c ~ +85 $^{\circ}$ c

Insertion Cycles: 20000 times

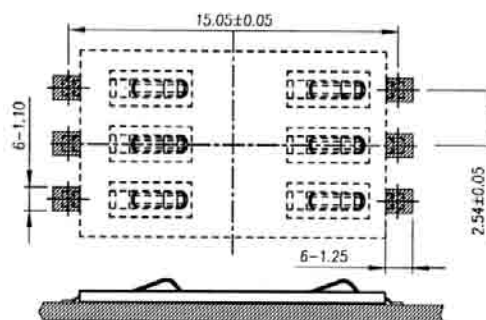
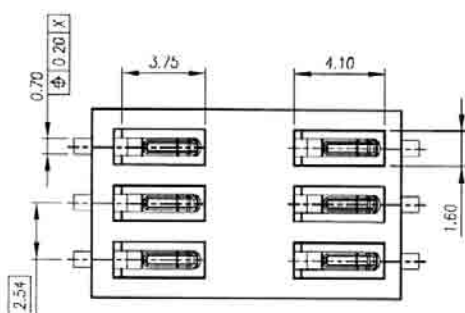
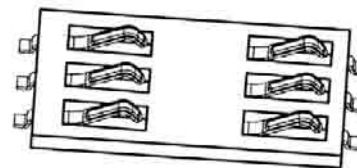
* RoHS & REACH compliant.

MATERIAL:

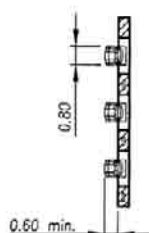
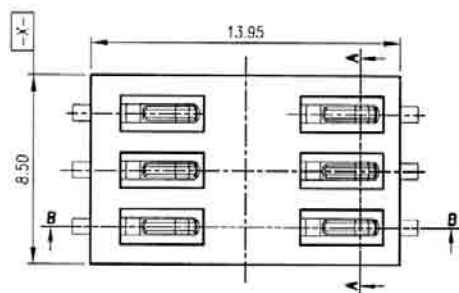
Contact Area: Gold Plated

Contact: Beryllium C17200R-H

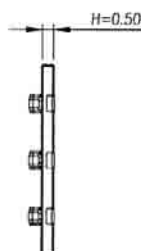
Housing: Thermoplastic (UL94V-0)



Recommended P.C.Board Layout
(TOP VIEW)



SECTION A-A



SECTION B-B

ORDERING INFORMATION:

P/N M C D - 7 1 2 S C $\frac{x}{1} \frac{x}{2}$

1. CONTACT FINISH:
"01" GOLD FLASH
"30" 30 MICROINCH GOLD
2. PACKAGE OPTION:
"R" TAPE & REEL
"T" TUBE

SIM CARD 6 PIN CONNECTOR H=0.5/0.7/0.9MM

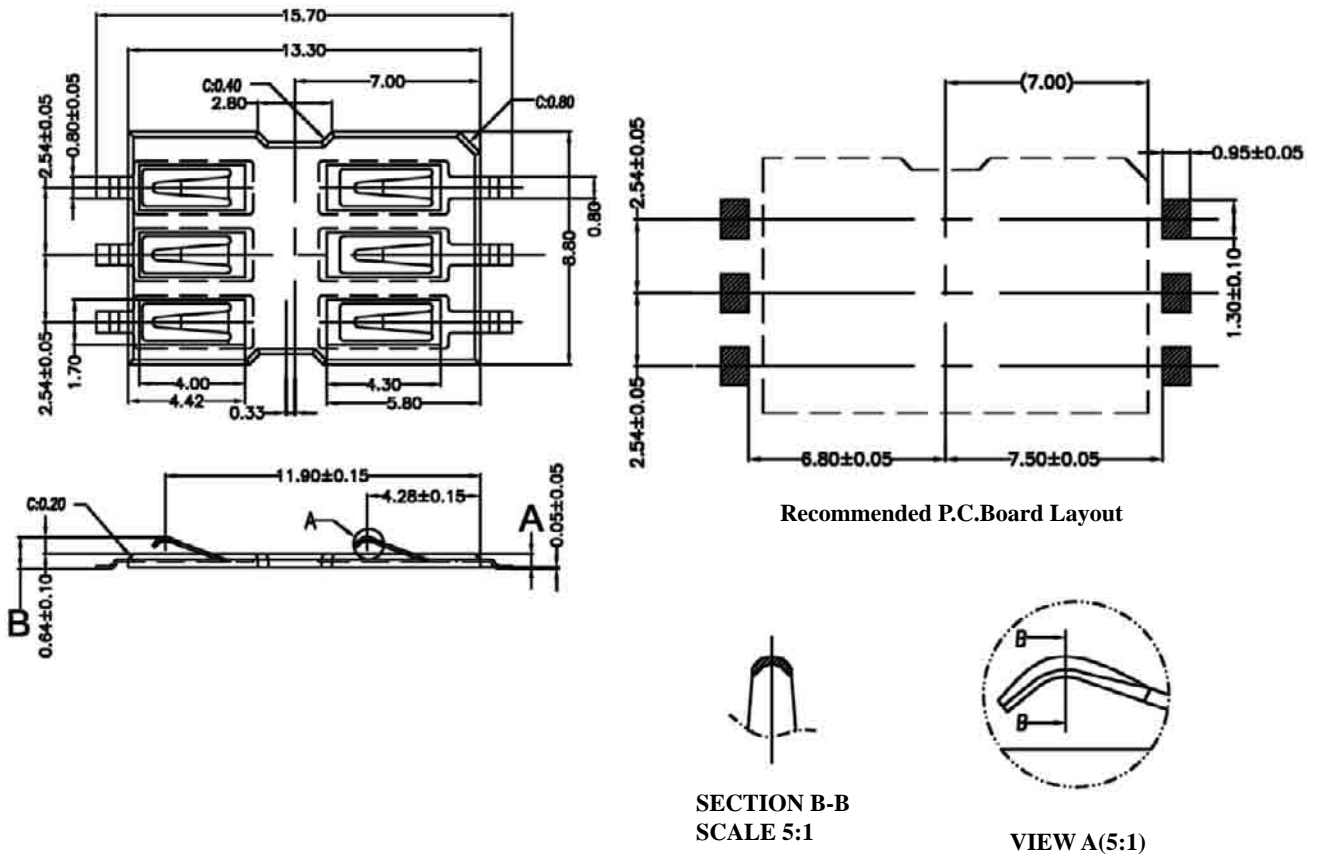
SPECIFICATIONS

Current Rating: 0.5A Max
 Dielectric Withstanding: 500VAC For 1 Minute
 Contact Resistance: 100mΩ Max
 Insulation R.: 1000MΩ Min
 Operating Temperature: -25°C ~ +85°C

MATERIAL:

Housing: LCP or PA9T UL 94V-0
 Contact: Phosphor bronze
 Terminal: Copper Alloy, Gold
 Plated On Contact Area Tin
 Plating On Solder Tail

* RoHS & REACH compliant.



ORDERING INFORMATION:

P/N M C D - $\frac{x}{1}$ $\frac{x}{2}$ S C $\frac{0.1}{3}$ - $\frac{x}{3}$

1. DIMENSION A & B:

"7Q1" A/B=0.5MM/1.19MM

"7Q2" A/B=0.7MM/1.39MM

"7Q3" A/B=0.9MM/1.59MM

2. CONTACT FINISH:

"01" GOLD FLASH

3. PACKAGE OPTION:

"R" TAPE & REEL

"0" TRAY

SIM CARD 6 PIN CONNECTOR LOW PROFILE SIMPLE TYPE H=0.70MM

SPECIFICATION:

Withstanding Voltage: 500V AC Max for 1 min.

Insulation R.: 1000M Ω

Voltage Rating: 5 Volts Max.

Current Rating: 10mA Max.

Contact R.: 30m Ω Max.

Operating Temperature: -40 $^{\circ}$ c ~ +85 $^{\circ}$ c

Insertion Cycles: 20000 times

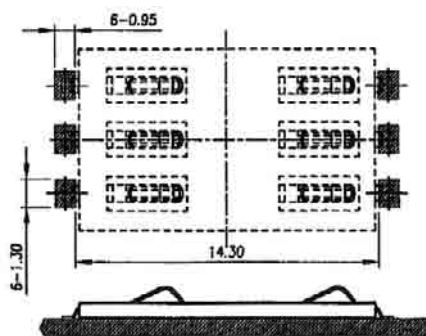
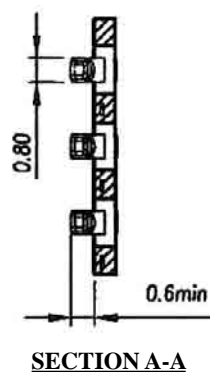
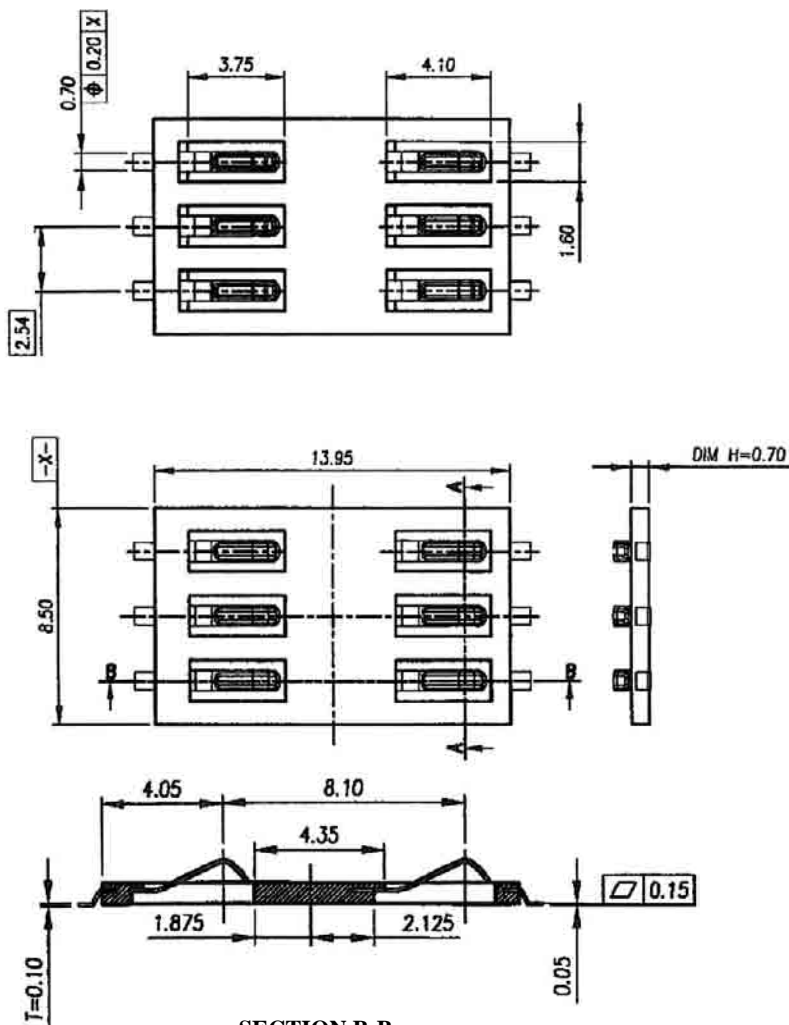
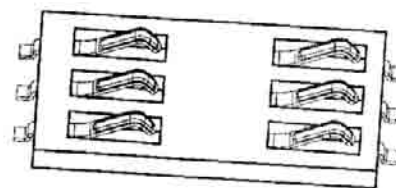
* RoHS & REACH compliant.

MATERIAL:

Contact Area: Gold Plated

Contact: Beryllium C17200R-H

Housing: Thermoplastic (UL94V-0)



ORDERING INFORMATION:

P/N M C D - 7 1 3 S C $\frac{X}{1} X - \frac{X}{2}$

- CONTACT FINISH:
"01" GOLD FLASH
"30" 30 MICROINCH GOLD
- PACKAGE OPTION:
"R" TAPE & REEL
"T" TUBE

SIM CARD 6 PIN CONNECTOR H=1.00MM CONTACT POINT=1.70MM

SPECIFICATIONS

Current Rating: 0.5 AMP Max

Dielectric Withstanding: 500VAC For 1 Minute

Contact Resistance: 30mΩ Max

Insulation R.: 1000MΩ Min

Operating Temperature: -25°C ~ +85°C

MATERIAL:

Housing: Hi-Temp, Plastic UL 94V-0

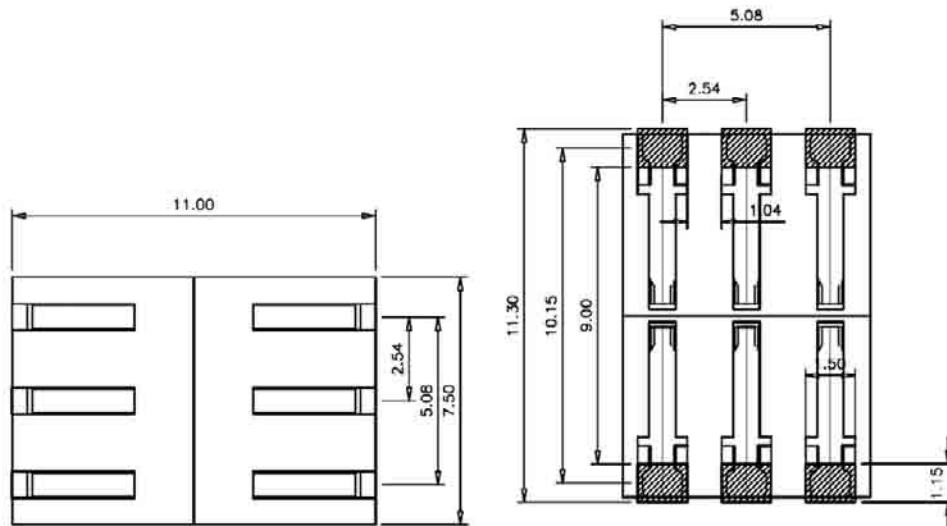
Shell: Stainless Steel, Nickel Plating

Terminal: Copper Alloy, Gold

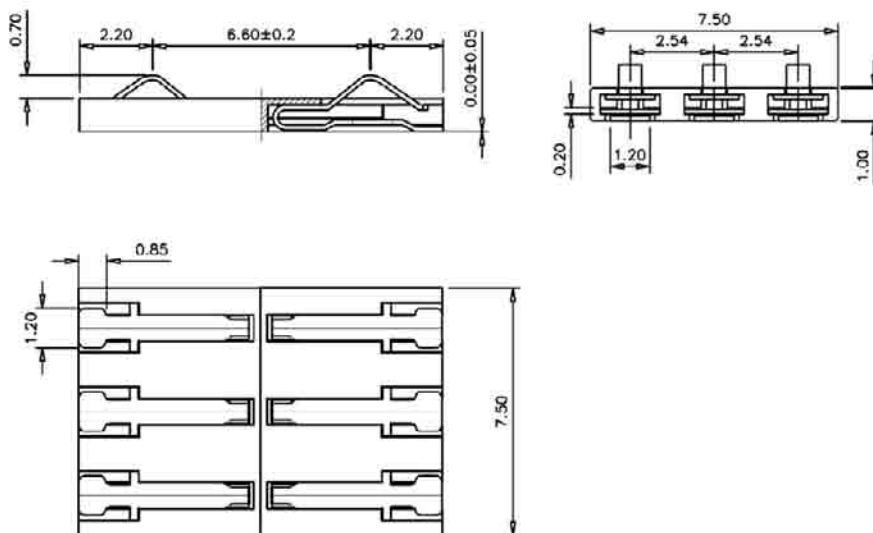
Plated On Contact Area Tin

Plating On Solder Tail

* RoHS & REACH compliant.



Recommended P.C.Board Layout



ORDERING INFORMATION:

P/N M C D - 7 U 2 S C $\frac{X}{1} \frac{X}{2} - \frac{X}{2}$

1..CONTACT FINISH:

"01" GOLD FLASH

"15" 15 MICROINCH GOLD

"30" 30 MICROINCH GOLD

2.PACKAGE OPTION:

"R" TAPE & REEL

"0" TRAY

SIM CARD 6 PIN CONNECTOR H=1.00MM CONTACT POINT=1.40MM

SPECIFICATIONS

Current Rating: 0.5 AMP Max

Dielectric Withstanding: 500VAC For 1 Minute

Contact Resistance: 30mΩ Max

Insulation R.: 1000MΩ Min

Operating Temperature: -25°C ~ +85°C

MATERIAL:

Housing: Hi-Temp, Plastic UL 94V-0

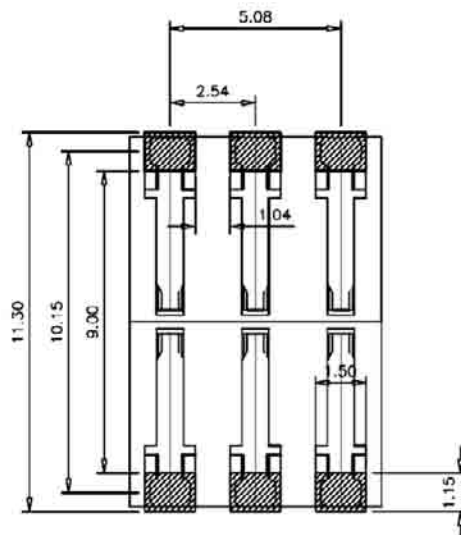
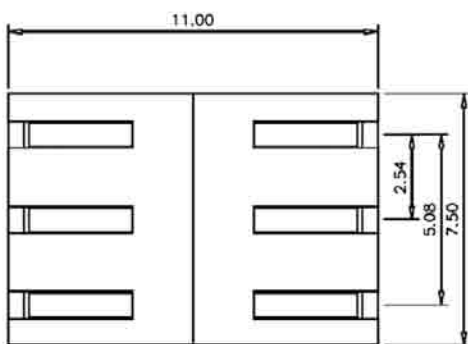
Shell: Stainless Steel, Nickel Plating

Terminal: Copper Alloy, Gold

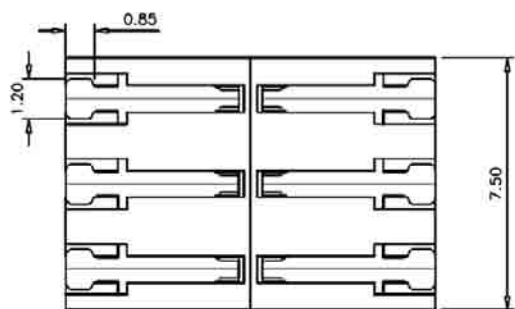
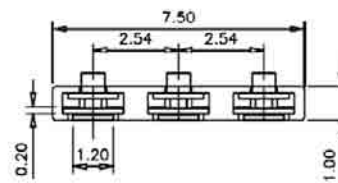
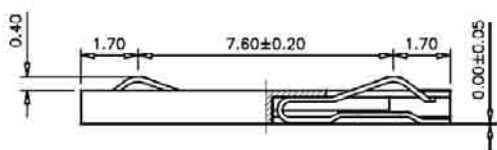
Plated On Contact Area Tin

Plating On Solder Tail

* RoHS & REACH compliant.



Recommended P.C.Board Layout



ORDERING INFORMATION:

P/N M C D - 7 U 1 S C $\frac{X}{1} \frac{X}{2} - \frac{X}{2}$

1..CONTACT FINISH:

"01" GOLD FLASH

"15" 15 MICROINCH GOLD

"30" 30 MICROINCH GOLD

2.PACKAGE OPTION:

"R" TAPE & REEL

"0" TRAY

SIM CARD 6 PIN CONNECTOR H=1.50MM

SPECIFICATIONS

Current Rating: 0.5 AMP Max

Dielectric Withstanding: 500VAC For 1 Minute

Contact Resistance: 100mΩ Max

Insulation R.: 1000MΩ Min

Operating Temperature: -25°C ~ +85°C

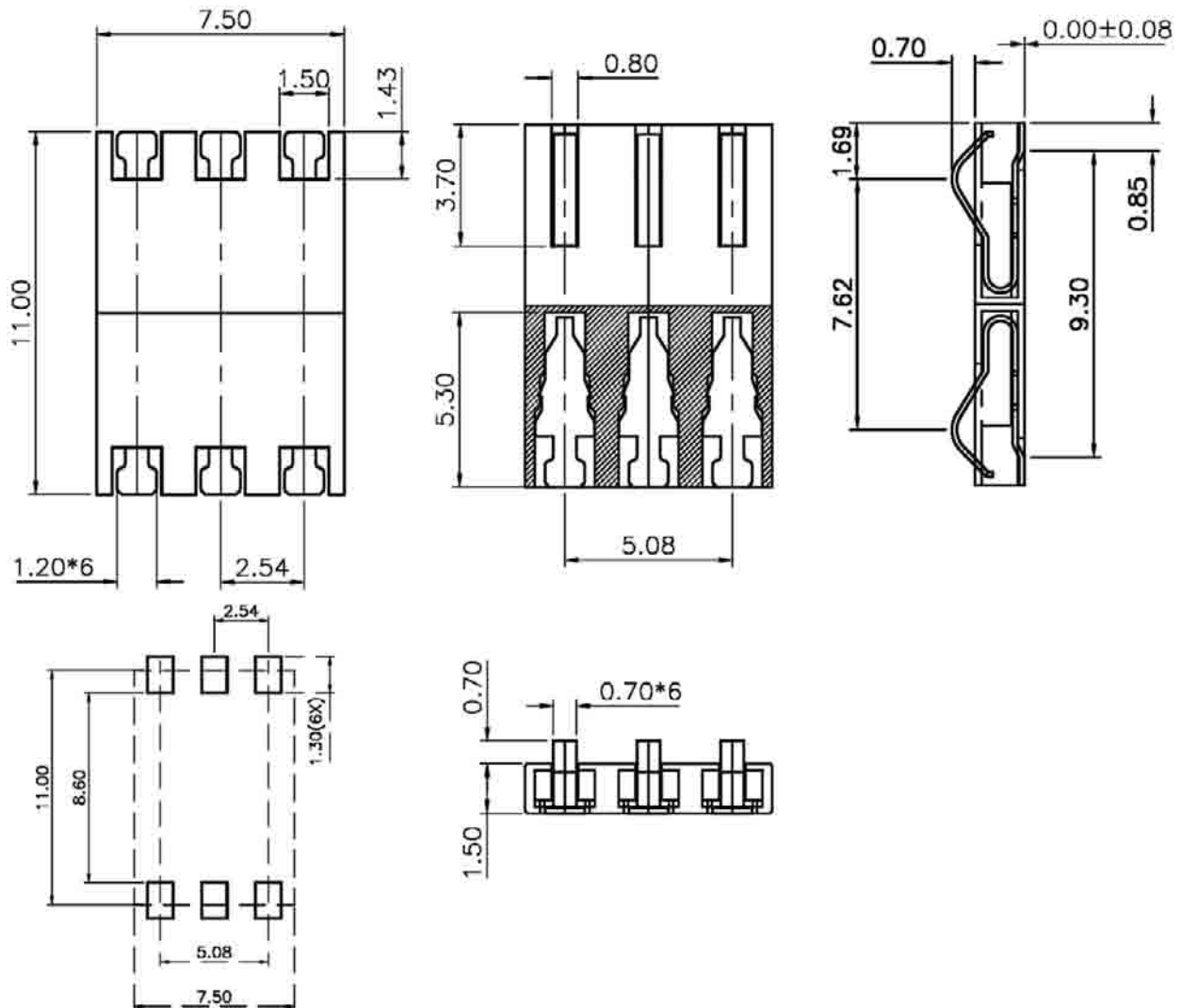
MATERIAL:

Housing: Hi-Temp, Plastic UL 94V-0

Shell: Stainless Steel, Nickel Plating

Terminal: Copper Alloy, Gold
Plated On Contact Area Tin
Plating On Solder Tail

* RoHS & REACH compliant.



Recommended P.C.Board Layout

ORDERING INFORMATION:

P/N M C D - 7 U 4 S C $\frac{x}{1} \frac{x}{2}$

1..CONTACT FINISH:

"01" GOLD FLASH

"15" 15 MICROINCH GOLD

"30" 30 MICROINCH GOLD

2.PACKAGE OPTION:

"R" TAPE & REEL

"0" TRAY

SIM CARD 6 PIN CONNECTOR H=1.50MM

SPECIFICATION:

Withstanding Voltage: 500V AC Max for 1 min.

Insulation R.: 1000M Ω /500V DC

Voltage Rating: 5 Volts Max.

Current Rating: 10mA Max.

Contact R.: 50m Ω Max.

Operating Temperature: -40 $^{\circ}$ c ~ +85 $^{\circ}$ c

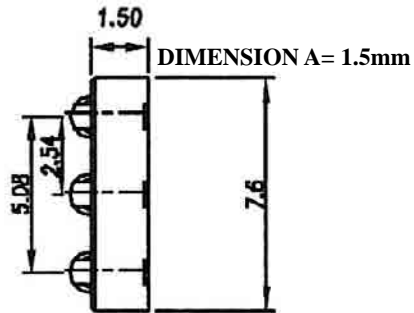
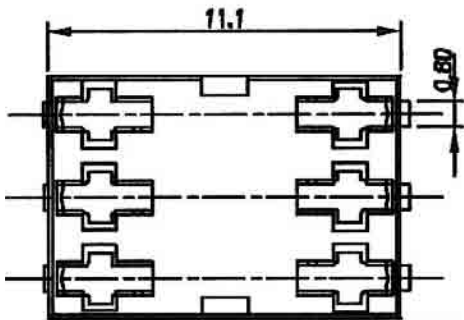
Durability: 10000 cycles min.

* RoHS & REACH compliant.

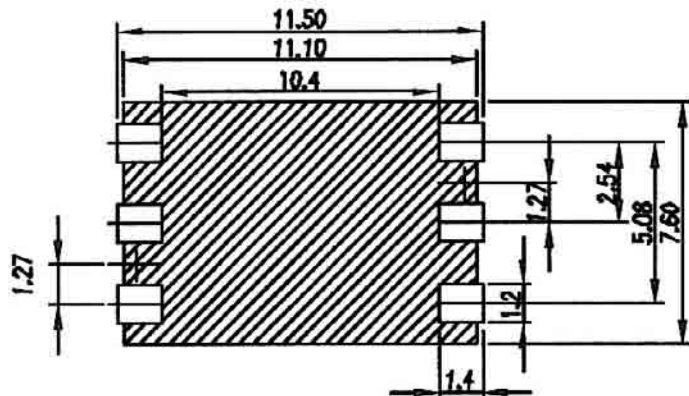
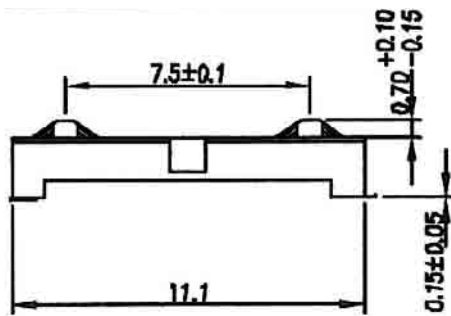
MATERIAL:

Contact: Phosphor Bronze

Housing: Thermoplastic (UL94V-0)



DIMENSIONS: 11.10L*7.60W*1.50Hmm



Recommended P.C.Board Layout

ORDERING INFORMATION:

P/N MCD-717SC $\frac{01}{1} - \frac{x}{2}$

1. CONTACT FINISH:
"01" GOLD FLASH
2. PACKAGE TYPE:
"T" TUBE
"R" TAPE & REEL

SIM CARD 6 PIN CONNECTOR H=4.51MM

SPECIFICATION:

Insulation R.: 1000MΩ at 500V DC

Contact R.: 50mΩ Max.

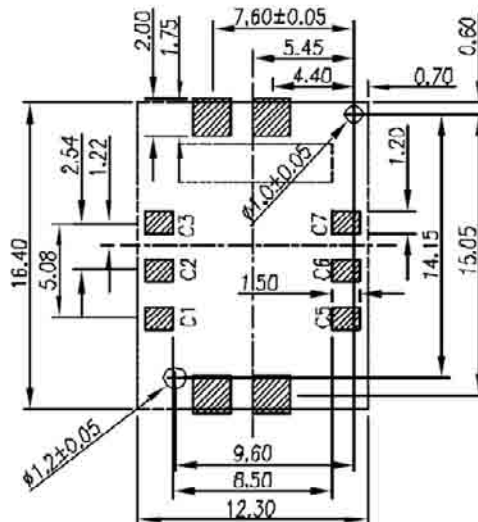
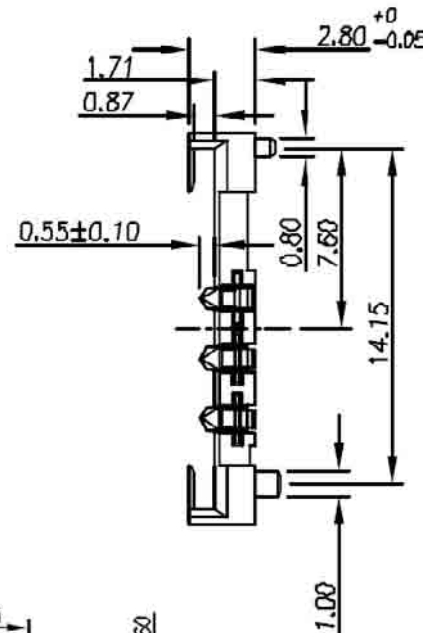
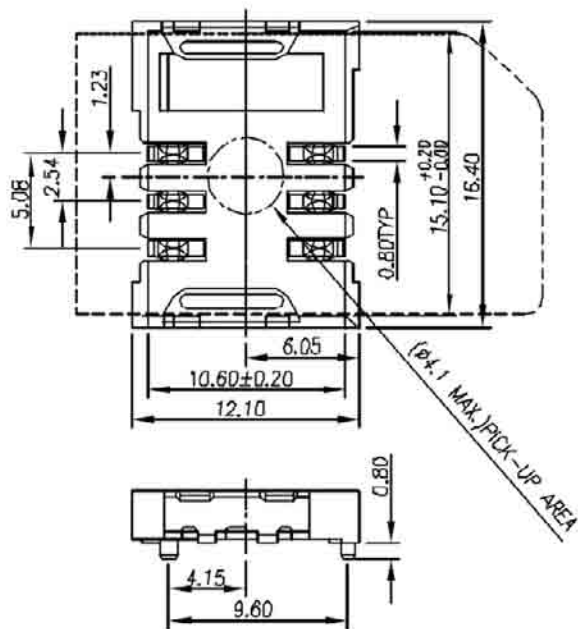
Operating Temperature: -40°C ~ +85°C

Durability: 10000 cycles

* RoHS & REACH compliant.

MATERIAL:

Insulator: Thermoplastic, UL94V-0



Recommended P.C.Board Layout

ORDERING INFORMATION:

P/N M C D - 7 K 3 S C $\frac{x}{1} - \frac{x}{2}$

1. CONTACT FINISH:
"01" GOLD FLASH
"30" 30 MICROINCH GOLD
2. PACKAGE OPTION:
"T" TUBE
"R" TAPE & REEL

SIM CARD 6 PIN CONNECTOR H=1.50MM

SPECIFICATIONS

Current Rating: 0.5 AMP Max

Dielectric Withstanding: 500VAC For 1 Minute

Contact Resistance: 30mΩ Max

Insulation R.: 1000MΩ Min

Operating Temperature: -25°C ~ +85°C

MATERIAL:

Housing: Hi-Temp, Plastic UL 94V-0

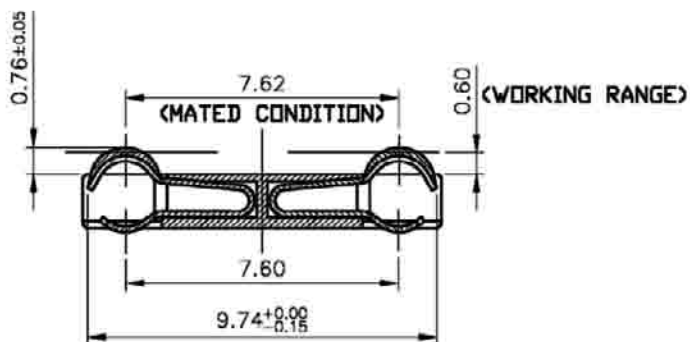
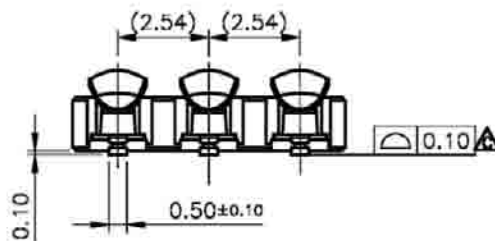
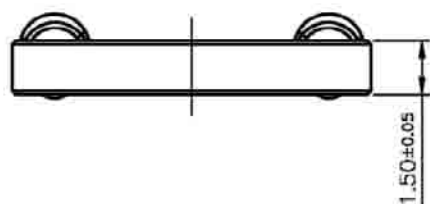
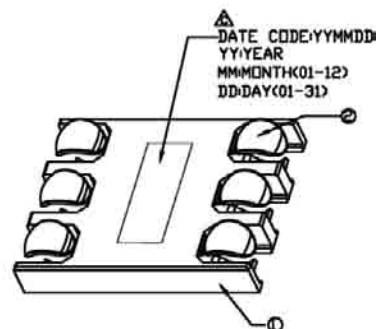
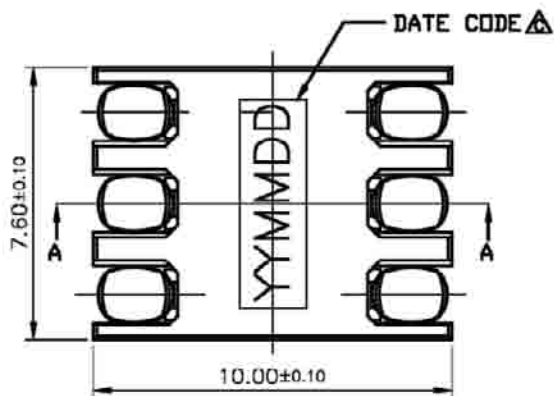
Shell: Stainless Steel, Nickel Plating

Terminal: Copper Alloy, Gold

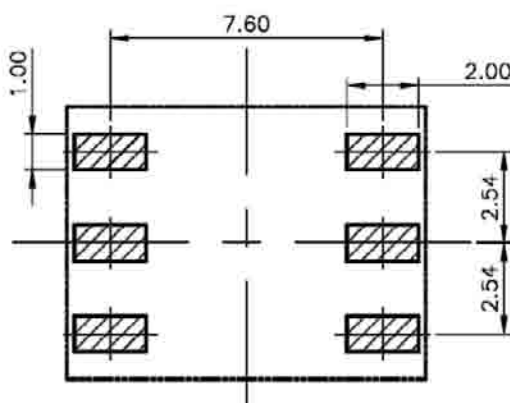
Plated On Contact Area Tin

Plating On Solder Tail

* RoHS & REACH compliant.



SECTION A-A



Recommended P.C. Board Layout

ORDERING INFORMATION:

P/N M C D - 7 R 8 S C $\frac{01}{1} - \frac{x}{2}$

- 1..CONTACT FINISH:
"01" GOLD FLASH
- 2.PACKAGE OPTION:
"R" TAPE & REEL
"0" TRAY

SIM CARD 6 PIN CONNECTOR H=1.50MM

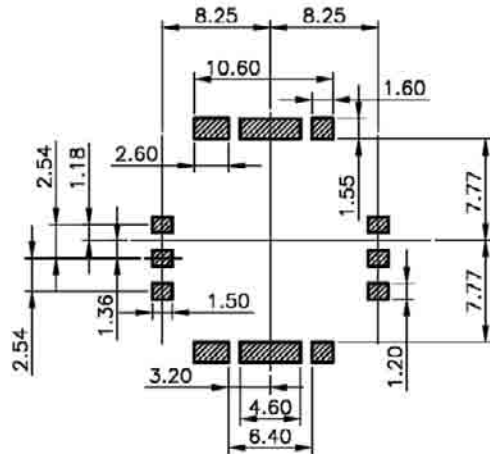
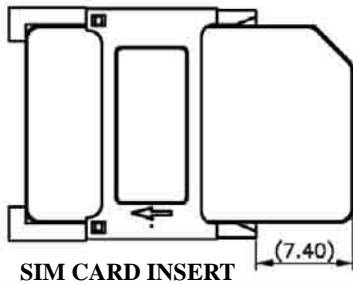
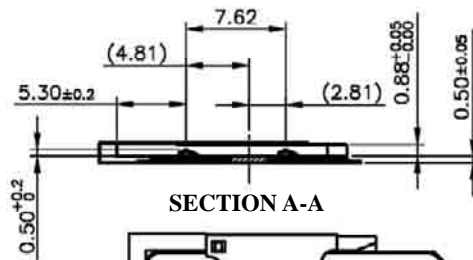
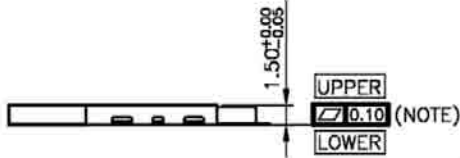
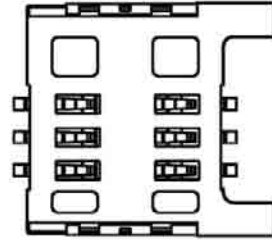
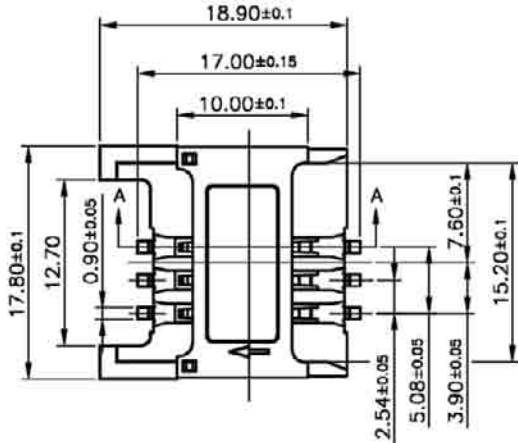
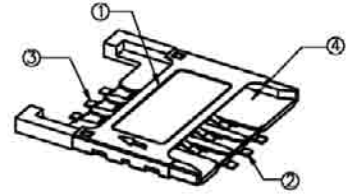
SPECIFICATIONS

Current Rating: 1A Max
Dielectric Withstanding: 250VAC For 1 Minute
Contact Resistance: 30mΩ Max
Insulation R.: 1000MΩ Min
Operating Temperature: -55°C ~ +105°C

MATERIAL:

Housing: Hi-Temp, Plastic UL 94V-0
Shell: Stainless Steel, Nickel Plating
Terminal: Copper Alloy, Gold
 Plated On Contact Area Tin
 Plating On Solder Tail

* RoHS & REACH compliant.



Recommended P.C.Board Layout

ORDERING INFORMATION:

P/N M C D - 7 T 4 S C $\frac{01}{1} - \frac{x}{2}$

- 1..CONTACT FINISH:
"01" GOLD FLASH
- 2.PACKAGE OPTION:
"R" TAPE & REEL
"0" TRAY

SIM CARD 6 PIN CONNECTOR H=1.50MM

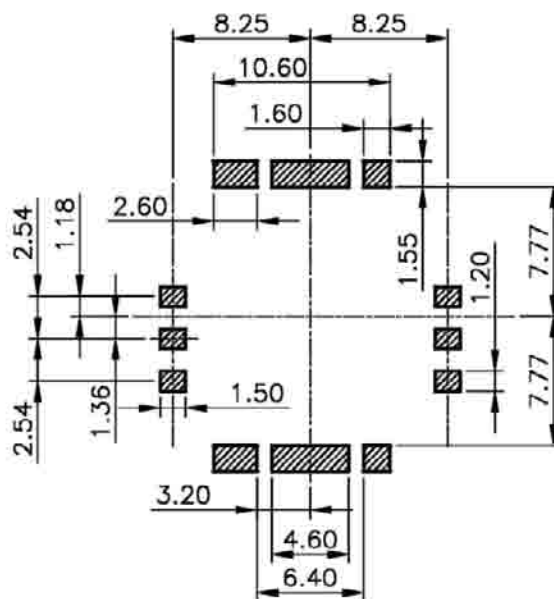
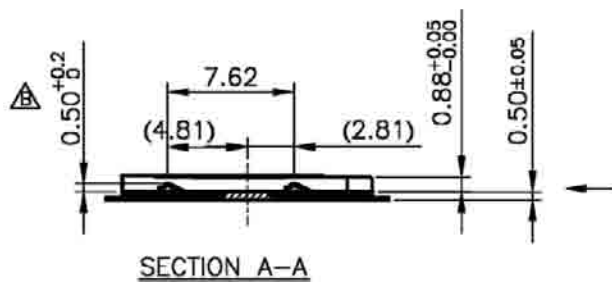
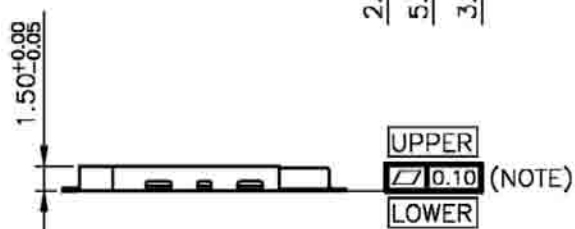
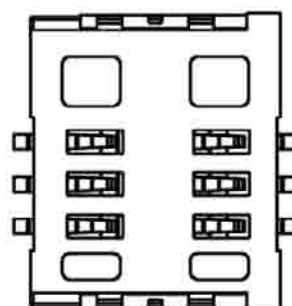
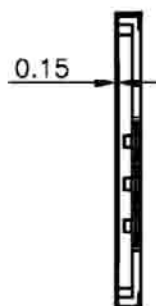
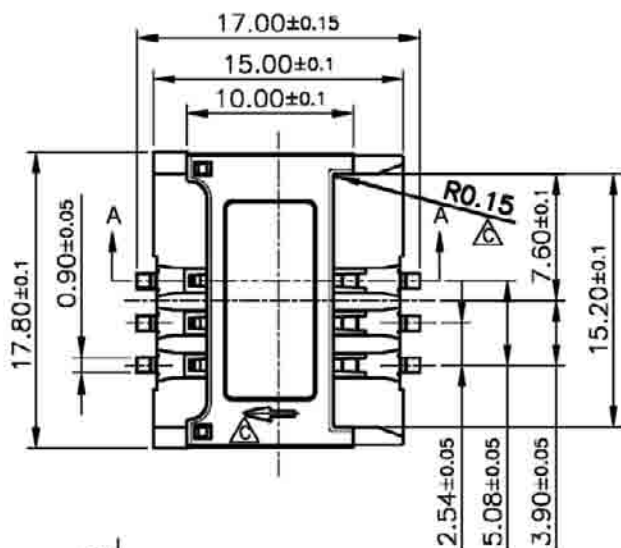
SPECIFICATIONS

Current Rating: 1A Max
 Dielectric Withstanding: 500VAC For 1 Minute
 Contact Resistance: 30mΩ Max
 Insulation R.: 1000MΩ Min
 Operating Temperature: -25°C ~ +75°C

MATERIAL:

Housing: Hi-Temp, Plastic UL 94V-0
 Shell: Stainless Steel, Nickel Plating
 Terminal: Copper Alloy, Gold
 Plated On Contact Area Tin
 Plating On Solder Tail

* RoHS & REACH compliant.



Recommended P.C.Board Layout

ORDERING INFORMATION:

P/N M C D - 7 P 4 S C $\frac{01}{1} - \frac{x}{2}$

- 1.CONTACT FINISH:
"01" GOLD FLASH
- 2.PACKAGE OPTION:
"R" TAPE & REEL
"0" TRAY

SIM CARD 6 PIN CONNECTOR H=1.60MM

SPECIFICATIONS

Current Rating: 1A Max

Dielectric Withstanding: 250VAC For 1 Minute

Contact Resistance: 30mΩ Max

Insulation R.: 1000MΩ Min

Operating Temperature: -55°C ~ +105°C

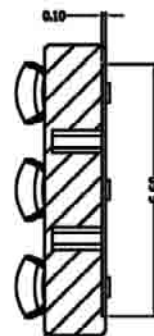
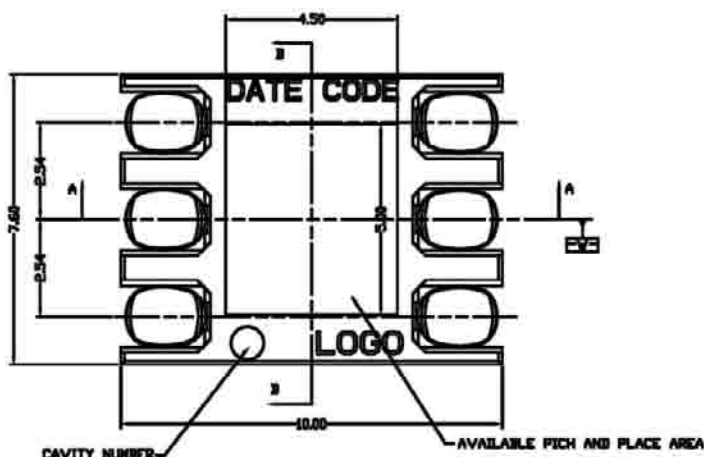
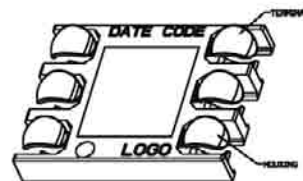
MATERIAL:

Housing: Hi-Temp, Plastic UL 94V-0

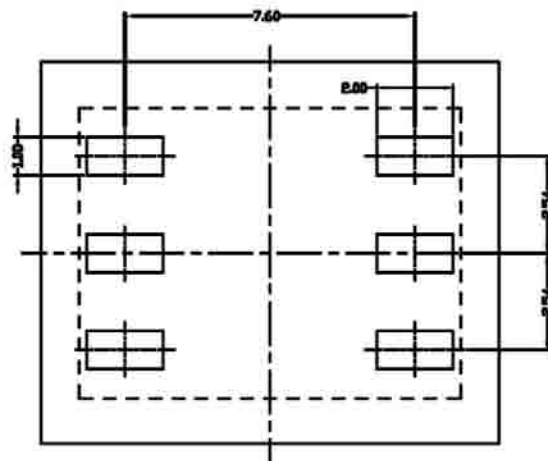
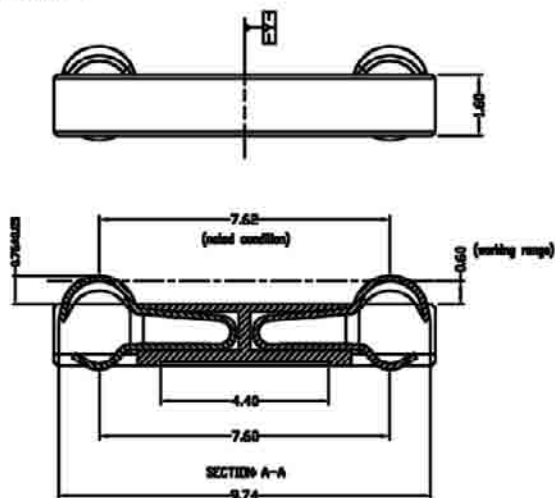
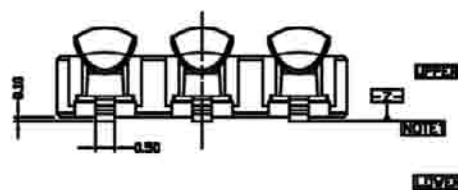
Shell: Stainless Steel, Nickel Plating

Terminal: Copper Alloy, Gold
Plated On Contact Area Tin
Plating On Solder Tail

* RoHS & REACH compliant.



SECTION B-B



Recommended P.C.Board Layout

ORDERING INFORMATION:

P/N M C D - 7 U 5 S C $\frac{X X}{1} - \frac{X}{2}$

1..CONTACT FINISH:

"01" GOLD FLASH

"15" 15 MICROINCH GOLD

"30" 30 MICROINCH GOLD

2.PACKAGE OPTION:

"R" TAPE & REEL

"0" TRAY

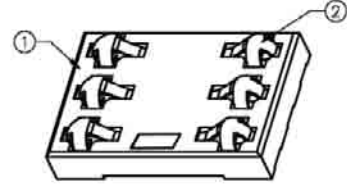
SIM CARD 6 PIN CONNECTOR H=1.60~2.20MM

SPECIFICATIONS

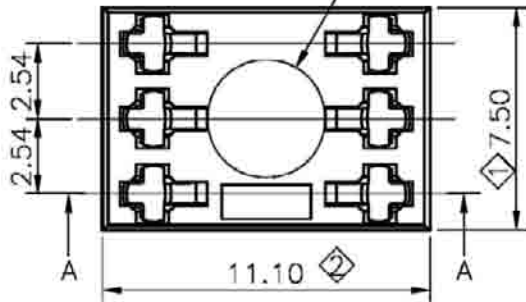
Current Rating: 0.5 AMP Max
Dielectric Withstanding: 500VAC For 1 Minute
Contact Resistance: 60mΩ Max
Insulation R.: 100MΩ Min
Operating Temperature: -25°C ~ +85°C

MATERIAL:

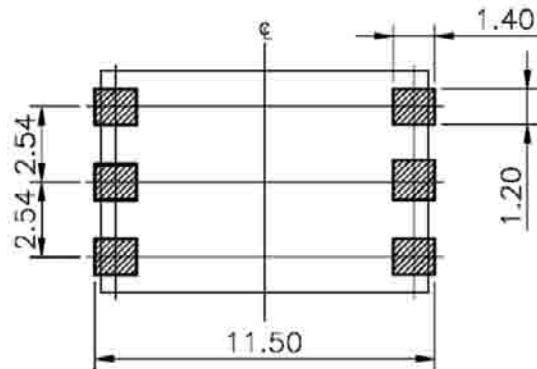
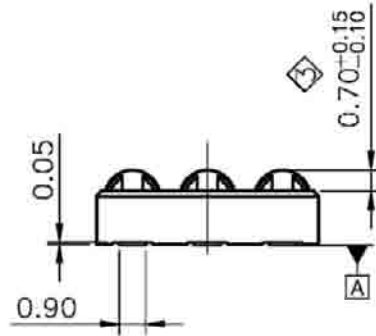
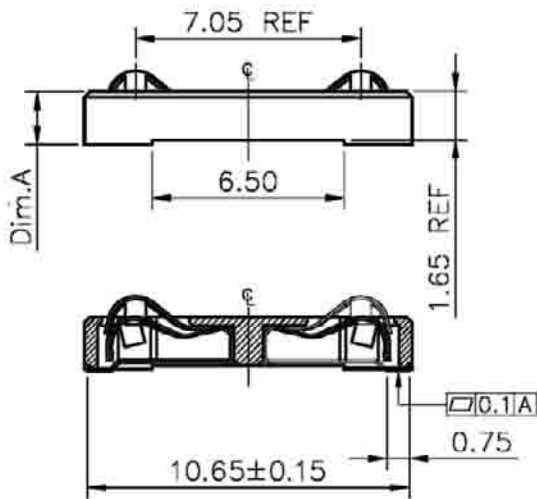
Housing: Glass Filled Thermo-Plastic
 UL 94V-0
Shell: Stainless Steel, Nickel Plating
Terminal: Phosphor Bronze
 * RoHS & REACH compliant.



AVAILABLE VACUUM PICKUP AREA 4.0 DIM. MAX.



P/NO.	DIM.A
MCD-7R2SC01-x	1.60
MCD-7R3SC01-x	1.80
MCD-7R4SC01-x	2.00
MCD-7R5SC01-x	2.20



Recommended P.C.Board Layout

ORDERING INFORMATION:

P/N M C D - $\frac{x}{1} \frac{x}{2} \frac{x}{3}$ S C $\frac{01}{2} - \frac{x}{3}$

1.DIMENSION A OPTION:

"7R2" A=1.60MM
 "7R3" A=1.80MM
 "7R4" A=2.00MM
 "7R5" A=2.20MM

2.CONTACT FINISH:

"01" GOLD FLASH

3.PACKAGE OPTION:

"R" TAPE & REEL
 "0" TRAY

SIM CARD 6 PIN CONNECTOR H=1.80MM

SPECIFICATIONS

Current Rating: 0.5 AMP Max

Dielectric Withstanding: 500VAC For 1 Minute

Contact Resistance: 30mΩ Max

Insulation R.: 1000MΩ Min

Operating Temperature: -25°C ~ +85°C

MATERIAL:

Housing: Hi-Temp, PA9T

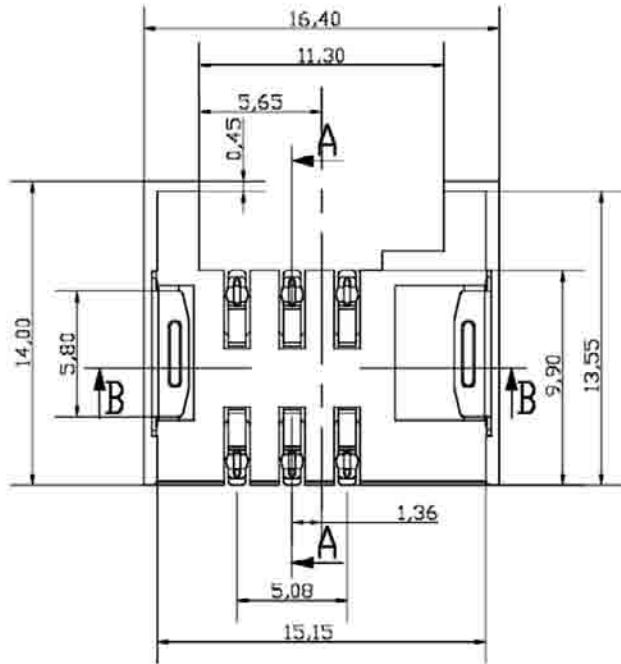
Shell: Stainless Steel, Nickel Plating

Terminal: Copper Alloy, Gold

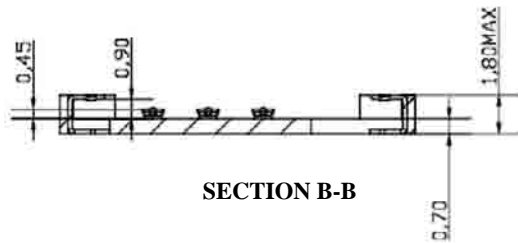
Plated On Contact Area Tin

Plating On Solder Tail

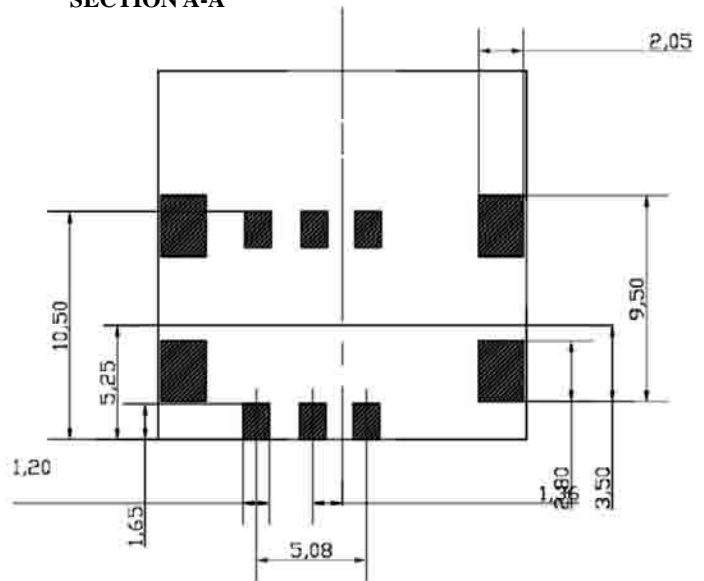
* RoHS & REACH compliant.



SECTION A-A



SECTION B-B



Recommended P.C.Board Layout

ORDERING INFORMATION:

P/N M C D - 7 S 8 S C $\frac{0.3}{1} - \frac{x}{2}$

1..CONTACT FINISH:

"03" 3 MICROINCH GOLD

2.PACKAGE OPTION:

"R" TAPE & REEL

"0" TRAY

SIM CARD 6 PIN CONNECTOR H=1.80MM

SPECIFICATIONS

Current Rating: 0.5 AMP Max

Dielectric Withstanding: 500VAC For 1 Minute

Contact Resistance: 60mΩ Max

Insulation R.: 500MΩ Min

Operating Temperature: -25°C ~ +85°C

MATERIAL:

Housing: LCP+30%GF UL 94V-0

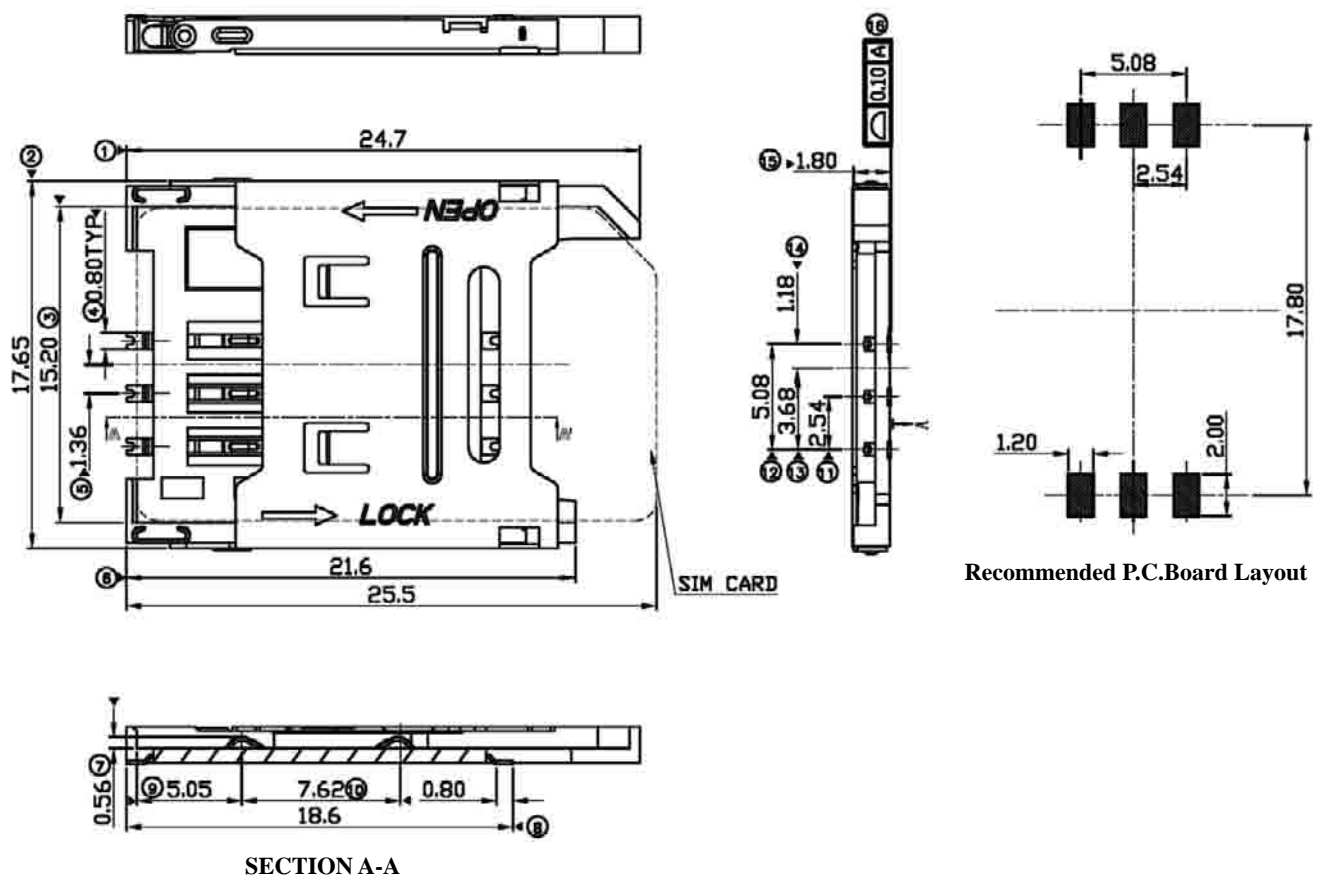
Shell: Stainless Steel, Nickel Plating

Terminal: Copper Alloy, Gold

Plated On Contact Area Tin

Plating On Solder Tail

* RoHS & REACH compliant.



ORDERING INFORMATION:

P/N M C D - 7 T 6 S C $\frac{0.3}{1} - \frac{x}{2}$

1..CONTACT FINISH:

"03" 3 MICROINCH GOLD

2.PACKAGE OPTION:

"R" TAPE & REEL

"0" TRAY

SIM CARD 6 PIN CONNECTOR H=1.80MM

SPECIFICATIONS

Current Rating: 1 AMP Max

Dielectric Withstanding: 500VAC For 1 Minute

Contact Resistance: 30mΩ Max

Insulation R.: 1000MΩ Min

Operating Temperature: -40°C ~ +85°C

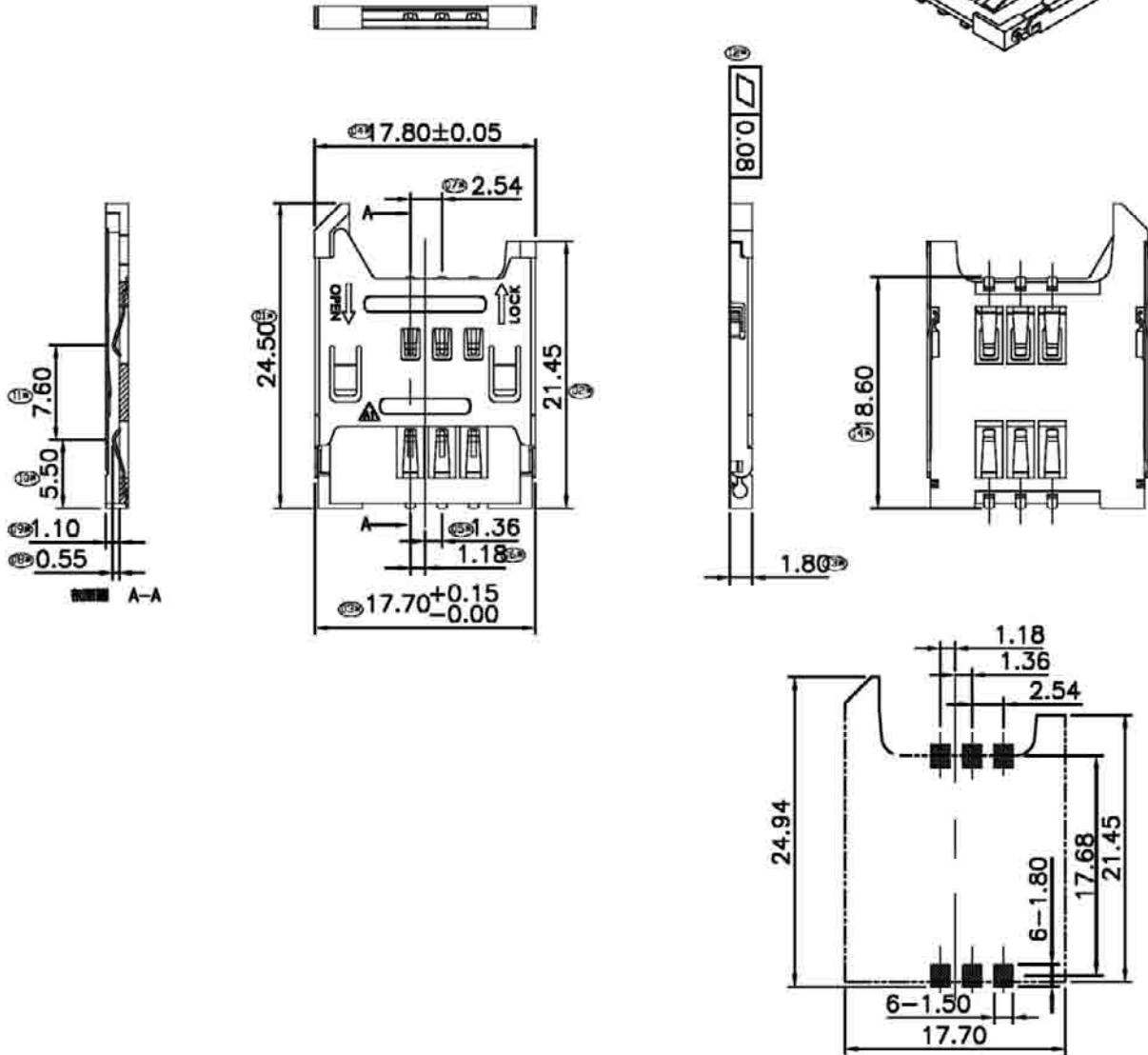
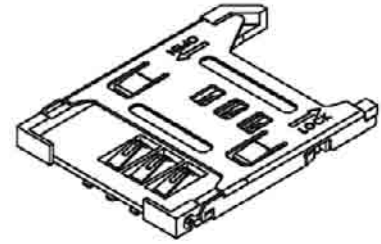
MATERIAL:

Housing: Hi-Temp, Plastic UL 94V-0

Shell: Stainless Steel, Nickel Plating

Terminal: Copper Alloy, Gold
Plated On Contact Area Tin
Plating On Solder Tail

* RoHS & REACH compliant.



Recommended P.C.Board Layout

ORDERING INFORMATION:

P/N M C D - 7 S 7 S C $\frac{01}{1} - \frac{x}{2}$

- 1..CONTACT FINISH:
"01" GOLD FLASH
- 2.PACKAGE OPTION:
"R" TAPE & REEL
"0" TRAY

SIM CARD 6 PIN CONNECTOR H=1.80MM

SPECIFICATIONS

Current Rating: 1A Max

Dielectric Withstanding: 500VAC For 1 Minute

Contact Resistance: 30mΩ Max

Insulation R.: 1000MΩ Min

Operating Temperature: -40°C ~ +85°C

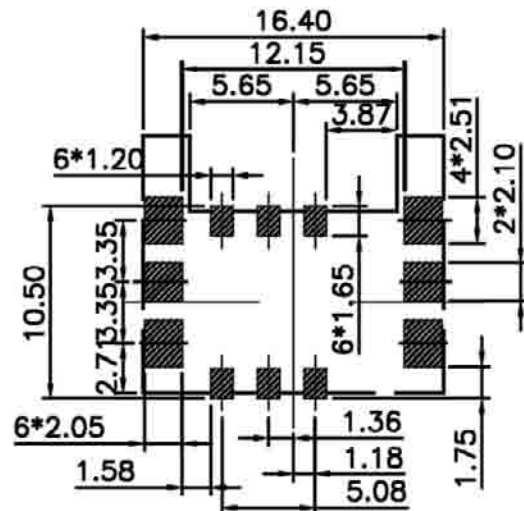
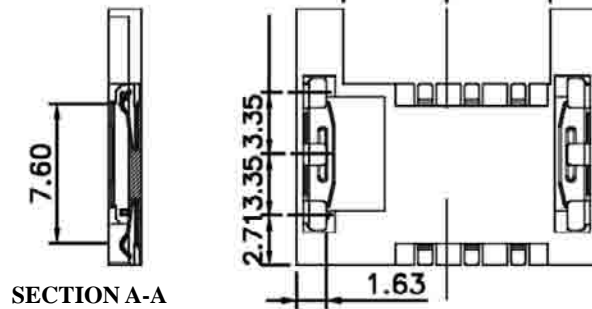
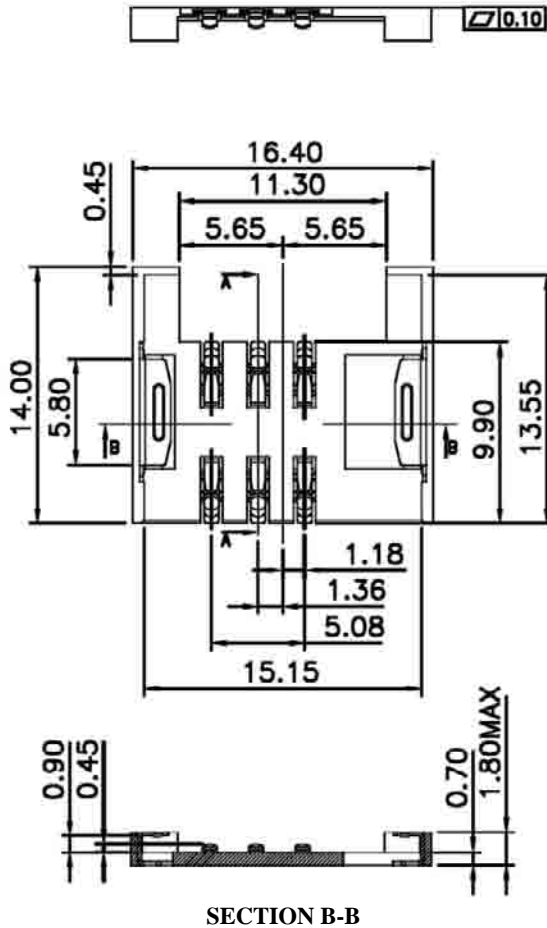
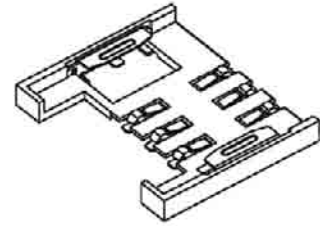
MATERIAL:

Housing: Hi-Temp, Plastic UL 94V-0

Shell: Stainless Steel, Nickel Plating

Terminal: Copper Alloy, Gold
Plated On Contact Area Tin
Plating On Solder Tail

* RoHS & REACH compliant.



ORDERING INFORMATION:

P/N M C D - 7 R 9 S C $\frac{01}{1} - \frac{x}{2}$

- 1..CONTACT FINISH:
"01" GOLD FLASH
- 2.PACKAGE OPTION:
"R" TAPE & REEL
"0" TRAY

SIM CARD 6 PIN CONNECTOR WITH POSTS H= 1.80MM & 2.00MM

SPECIFICATIONS

Current Rating: 0.5 AMP Max

Dielectric Withstanding: 500VAC For 1 Minute

Contact Resistance: 30mΩ Max

Insulation R.: 1000MΩ Min

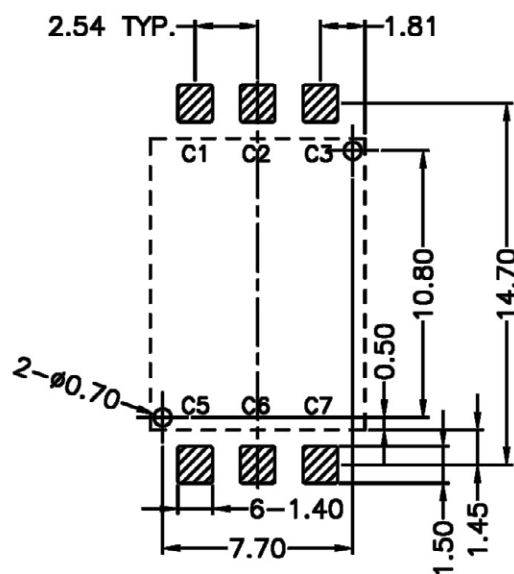
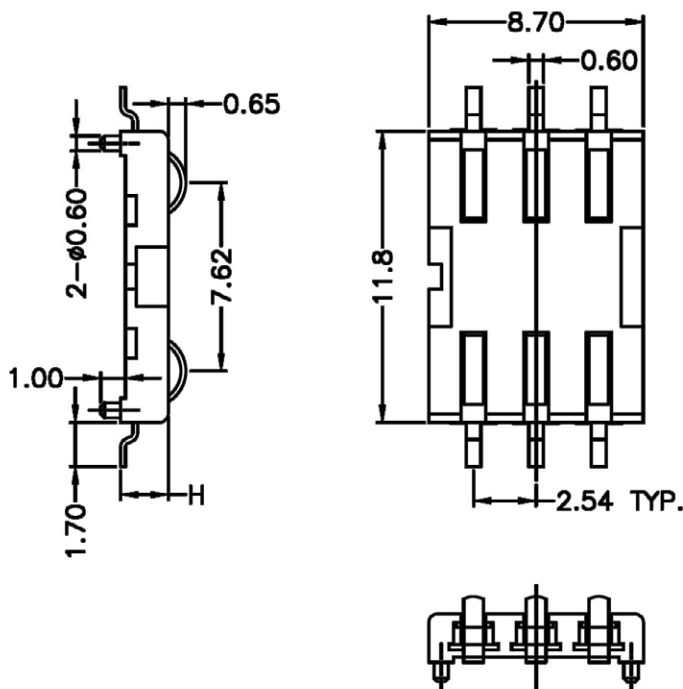
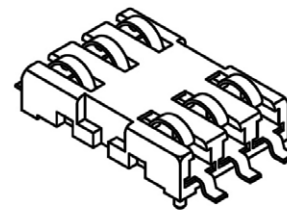
Operating Temperature: -25°C ~ +85°C

MATERIAL:

Housing: Hi-Temp, Plastic UL 94V-0

Terminal: Phosphor Bronze, Gold Plated

* RoHS & REACH compliant.



Recommended P.C.Board Layout

ORDERING INFORMATION:

P/N M C D - $\frac{1}{\text{XXX}}$ S C $\frac{2}{\text{XX}}$ - $\frac{3}{\text{X}}$

1. HEIGHT OPTION:

"7M5" H=1.80MM

"7M6" H=2.00MM

2. CONTACT FINISH:

"01" GOLD FLASH

"15" 15 MICROINCH GOLD

"30" 30 MICROINCH GOLD

3. PACKAGE TYPE:

"T" TUBE

"R" TAPE & REEL

SIM CARD 6 PIN CONNECTOR H=1.85MM

SPECIFICATIONS

Current Rating: 0.5 AMP Max

Dielectric Withstanding: 500VAC For 1 Minute

Contact Resistance: 60mΩ Max

Insulation R.: 500MΩ Min

Operating Temperature: -25°C ~ +85°C

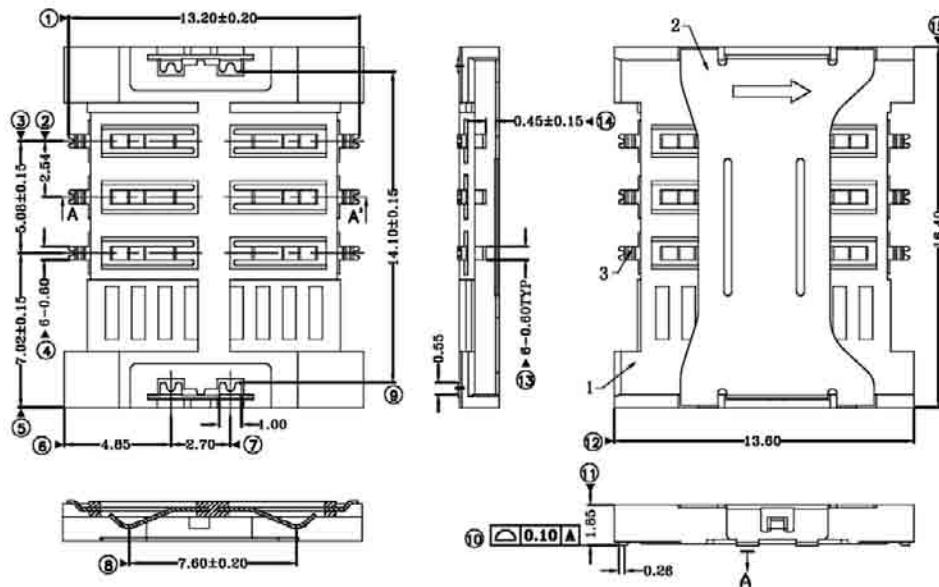
MATERIAL:

Housing: LCP+30%GF UL 94V-0

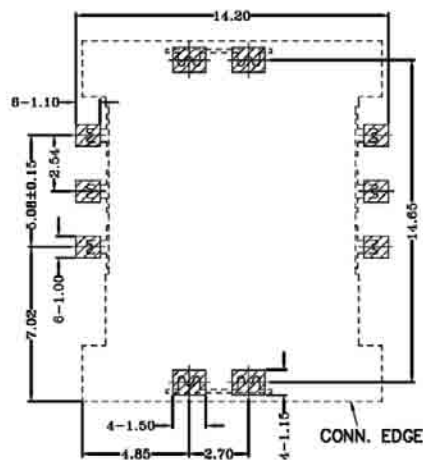
Shell: Stainless Steel, Nickel Plating

Terminal: Phosphor Bronze

* RoHS & REACH compliant.



SECTION A-A



Recommended P.C.Board Layout

ORDERING INFORMATION:

P/N M C D - 7 R 6 S C $\frac{0.5}{1} - \frac{x}{2}$

1..CONTACT FINISH:

"05" 5 MICROINCH GOLD

2.PACKAGE OPTION:

"R" TAPE & REEL

"0" TRAY

SIM CARD 6 PIN CONNECTOR PUSH - PUSH TYPE H= 1.90MM

SPECIFICATIONS

Current Rating: 0.5 AMP Max

Dielectric Withstanding: 500VAC For 1 Minute

Contact Resistance: 30mΩ Max

Insulation R.: 1000MΩ Min

Operating Temperature: -25°C ~ +85°C

MATERIAL:

Housing: Hi-Temp, Plastic UL 94V-0

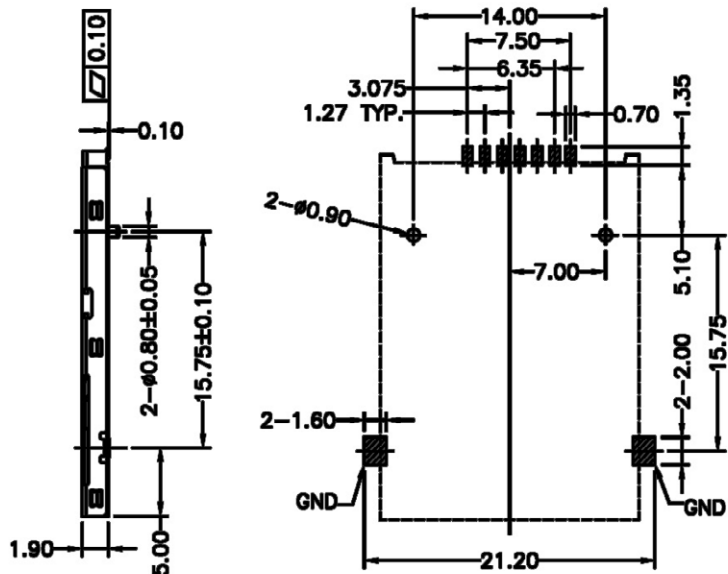
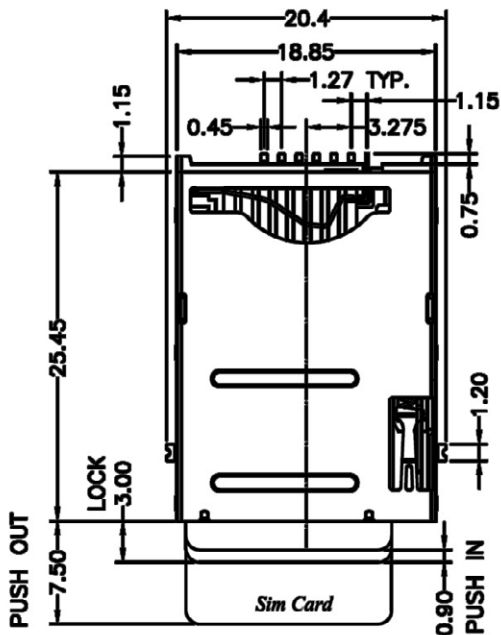
Shell: Copper Alloy, Nickel Plating

Terminal: Copper Alloy, Gold

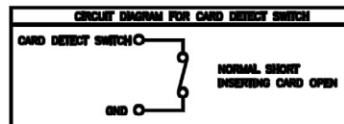
Plated On Contact Area Tin

Plating On Solder Tail

* RoHS & REACH compliant.



Recommended P.C.Board Layout



ORDERING INFORMATION:

P/N M C D - 7 M 8 S C $\frac{x}{1}$ - $\frac{x}{2}$

1.CONTACT FINISH:

"01" GOLD FLASH

"15" 15 MICROINCH GOLD

"30" 30 MICROINCH GOLD

2.PACKAGE TYPE:

"R" TAPE & REEL

SIM CARD 6 PIN CONNECTOR PUSH - PUSH TYPE H= 1.95MM

SPECIFICATIONS

Voltage Rating: 5.0Vrms

Withstanding Voltage: 250V ACrms For 1 Minute

Current Rating: 0.5A

Contact Resistance: 100M Max. AT 10MA/20mV max

Insulation R.: 500M min.AT DC 500V

Operating Temperature: -55°C ~ +85°C

Mating Cycles: 5000 Insertions

MATERIAL:

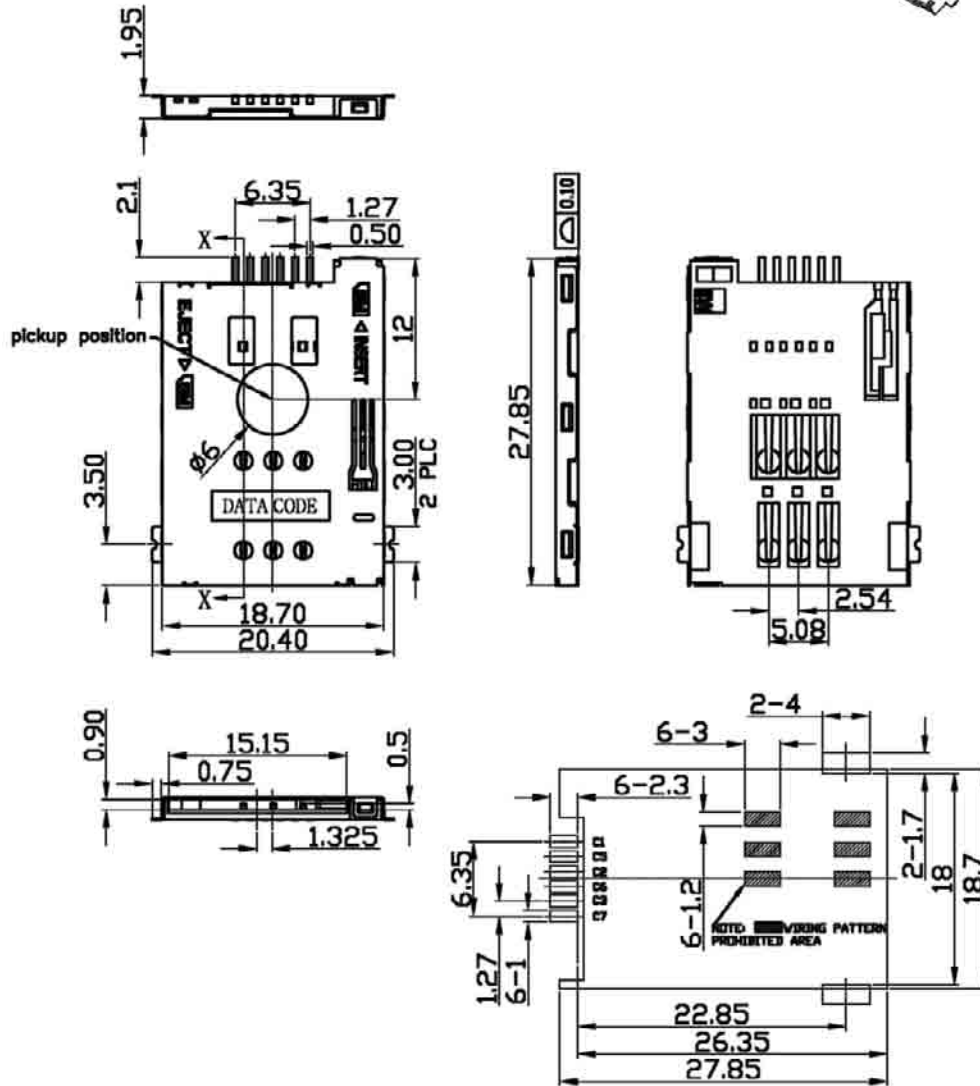
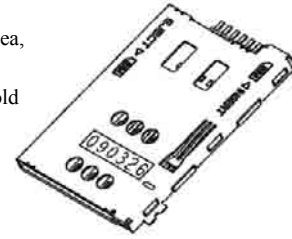
Terminal: 50u" min Nickel Underplated On

Allover, Gold Plating On Contact Area,

80u"min Tin On Solder Tail

Shell: 50u" Nickel Underplated On Allover, Gold Flash On Solder Latch.

* RoHS & REACH compliant.



Recommended P.C.Board Layout

ORDERING INFORMATION:

P/N M C D - 7 Q 8 S C $\frac{01}{1} - \frac{x}{2}$

1.CONTACT FINISH:

"01" GOLD FLASH

2.PACKAGE OPTION:

"R" TAPE & REEL

"0" TRAY

SIM CARD 6 PIN CONNECTOR NORMAL MOUNT PUSH - PUSH TYPE H= 1.95MM

SPECIFICATIONS

Voltage Rating: 5.0Vrms

Withstanding Voltage: 250V ACrms For 1 Minute

Current Rating: 0.5A

Contact Resistance: 100M Max. AT 10MA/20mV max

Insulation R.: 500M min. AT DC 500V

Operating Temperature: -55°C ~ +85°C

Mating Cycles: 5000 Insertions

MATERIAL:

Terminal: 50µ" min Nickel Underplated On

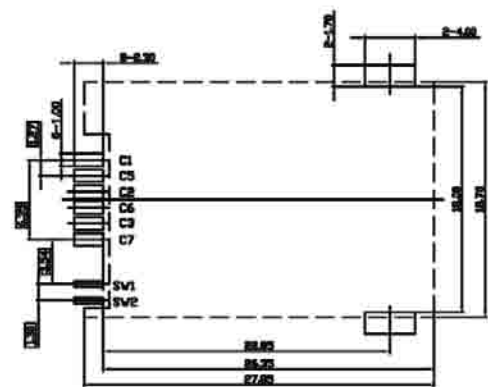
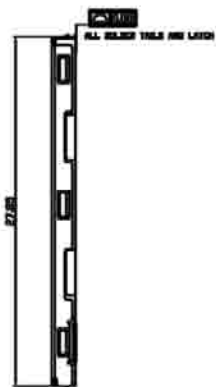
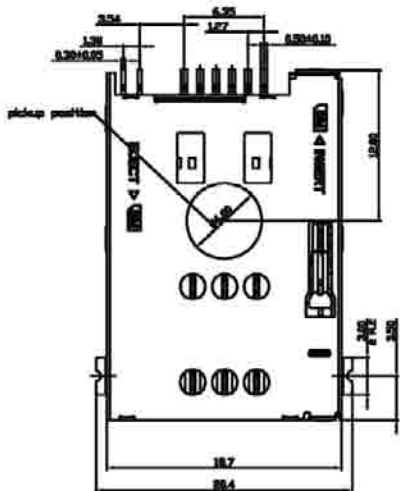
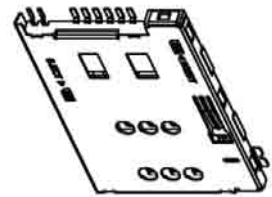
Allover, Gold Plating On Contact Area,

80µ"min Tin On Solder Tail

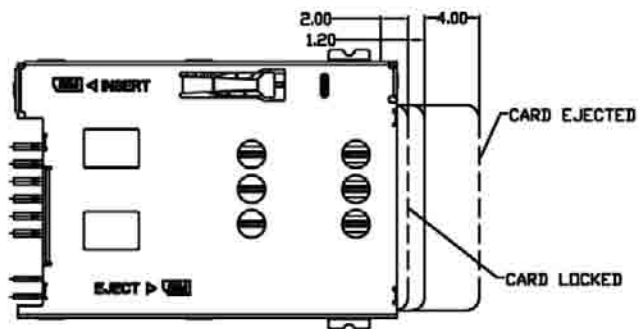
Shell: 50µ" Nickel Underplated On Allover, Gold

Flash On Solder Latch.

* RoHS & REACH compliant.



Recommended P.C.Board Layout



ORDERING INFORMATION:

P/N MCD-7Q9SC $\frac{01}{1} - \frac{x}{2}$

- CONTACT FINISH:
"01" GOLD FLASH
- PACKAGE OPTION:
"R" TAPE & REEL
"0" TRAY

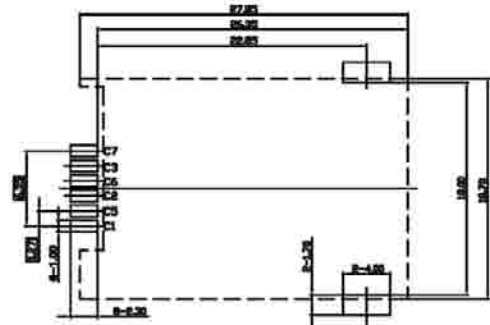
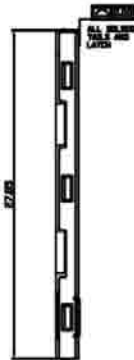
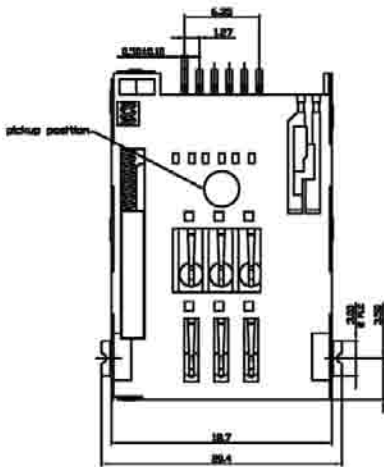
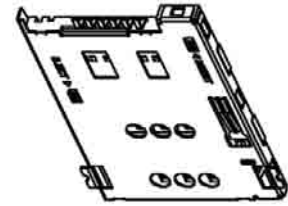
SIM CARD 6 PIN CONNECTOR REVERSE MOUNT PUSH - PUSH TYPE H= 2.00MM

SPECIFICATIONS

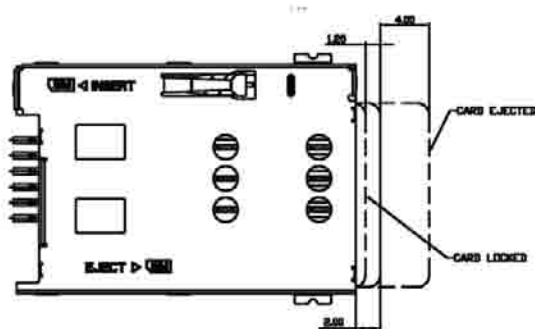
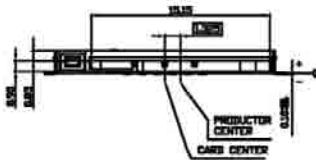
Voltage Rating: 5.0Vrms
Withstanding Voltage: 250V ACrms For 1 Minute
Current Rating: 0.5A
Contact Resistance: 100M Max. AT 10MA/20mV max
Insulation R.: 500M min.AT DC 500V
Operating Temperature: -55°C ~ +85°C
Mating Cycles: 5000 Insertions

MATERIAL:

Terminal: 50u" min Nickel Underplated On
 Allover, Gold Plating On Contact Area,
 80u"min Tin On Solder Tail
Shell: 50u" Nickel Underplated On Allover, Gold
 Flash On Solder Latch.
 * RoHS & REACH compliant.



Recommended P.C.Board Layout



ORDERING INFORMATION:

P/N MCD - 7 R 1 S C $\frac{01}{1} - \frac{x}{2}$

1. CONTACT FINISH:
"01" GOLD FLASH
2. PACKAGE OPTION:
"R" TAPE & REEL
"0" TRAY

SIM CARD 6 PIN CONNECTOR HINGE TYPE H=2.00MM

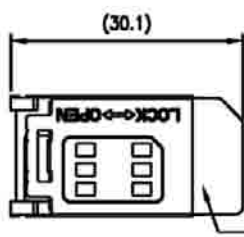
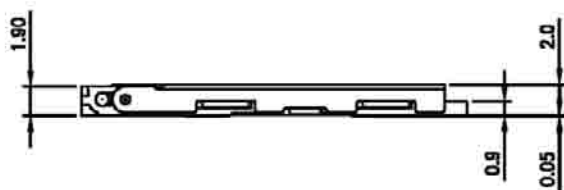
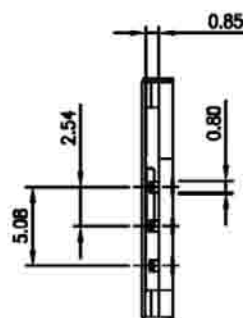
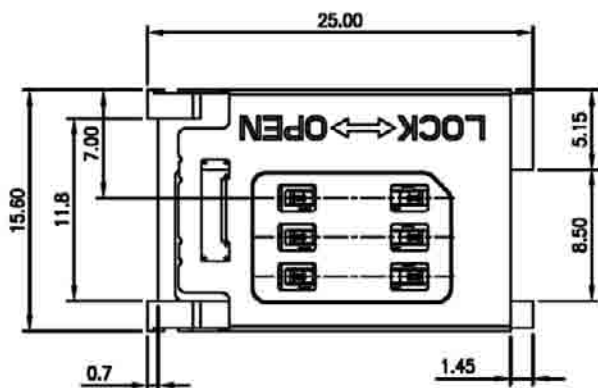
SPECIFICATIONS

Current Rating: 0.5 AMP Max
 Dielectric Withstanding: 500VAC For 1 Minute
 Contact Resistance: 30mΩ Max
 Insulation R.: 1000MΩ Min
 Operating Temperature: -25°C ~ +85°C

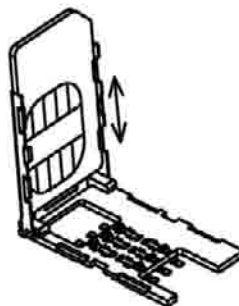
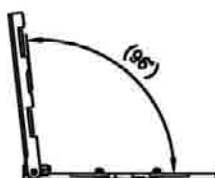
MATERIAL:

Housing: Hi-Temp, Plastic UL 94V-0
 Shell: Stainless Steel, Nickel Plating
 Terminal: Copper Alloy, Gold
 Plated On Contact Area Tin
 Plating On Solder Tail

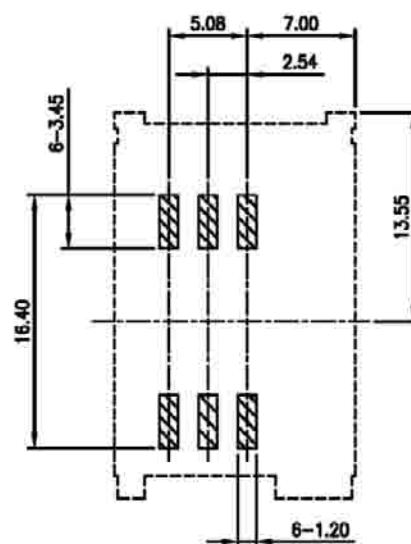
* RoHS & REACH compliant.



SIM CARD



Sim Card Sliding Direction



Recommended P.C.Board Layout

ORDERING INFORMATION:

P/N MCD-7P5SC $\frac{01}{1} - \frac{x}{2}$

- 1.CONTACT FINISH:
"01" GOLD FLASH
- 2.PACKAGE OPTION:
"R" TAPE & REEL
"0" TRAY

SIM CARD 6 PIN CONNECTOR SIMPLE TYPE H=2.00MM

SPECIFICATION:

Withstanding Voltage: 250V AC/DC

Insulation R.: 500MΩ

Current Rating: 0.5A AC/DC

Contact R.: 30mΩ Max.

Operating Temperature: -55°C ~ +85°C

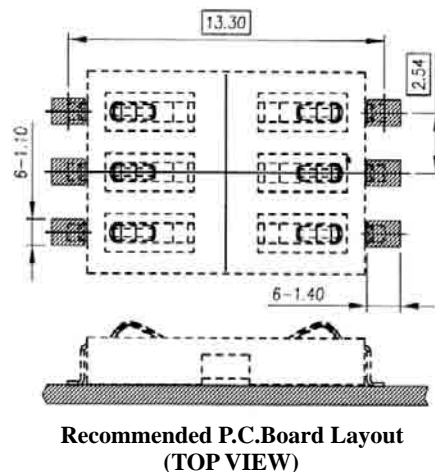
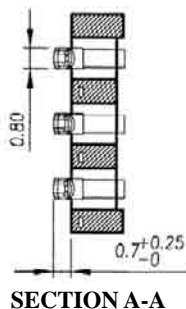
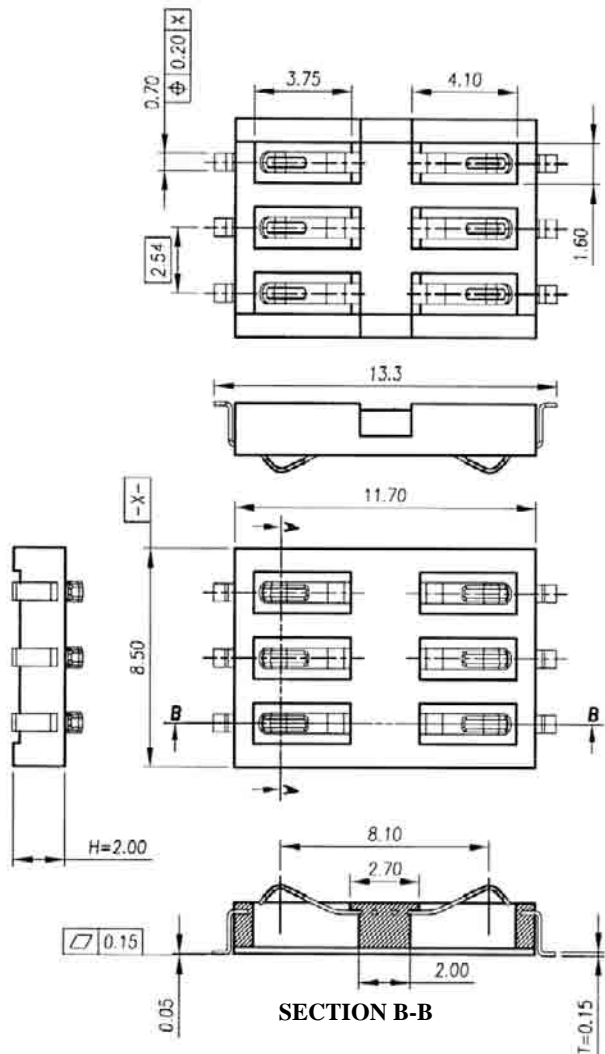
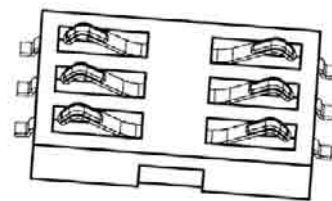
Insertion Cycles: 5000 Cycles

* RoHS & REACH compliant.

MATERIAL:

Housing: Thermoplastic (UL94V-0)

Contact: Copper Alloy



ORDERING INFORMATION:

P/N M C D - 7 K 7 S C $\frac{X X}{1} - \frac{X}{2}$

1. CONTACT FINISH:

"01" GOLD FLASH

"30" 30 MICROINCH GOLD

2. PACKAGE OPTION:

"T" TUBE

"R" TAPE & REEL

SIM CARD 6 PIN CONNECTOR WITH POSTS H=2.00MM

SPECIFICATION:

Withstanding Voltage: 250V AC/DC

Insulation R.: 500MΩ

Current Rating: 0.5A AC/DC

Contact R.: 30mΩ Max.

Operating Temperature: -55°C ~ +85°C

Insertion Cycles: 5000 Cycles

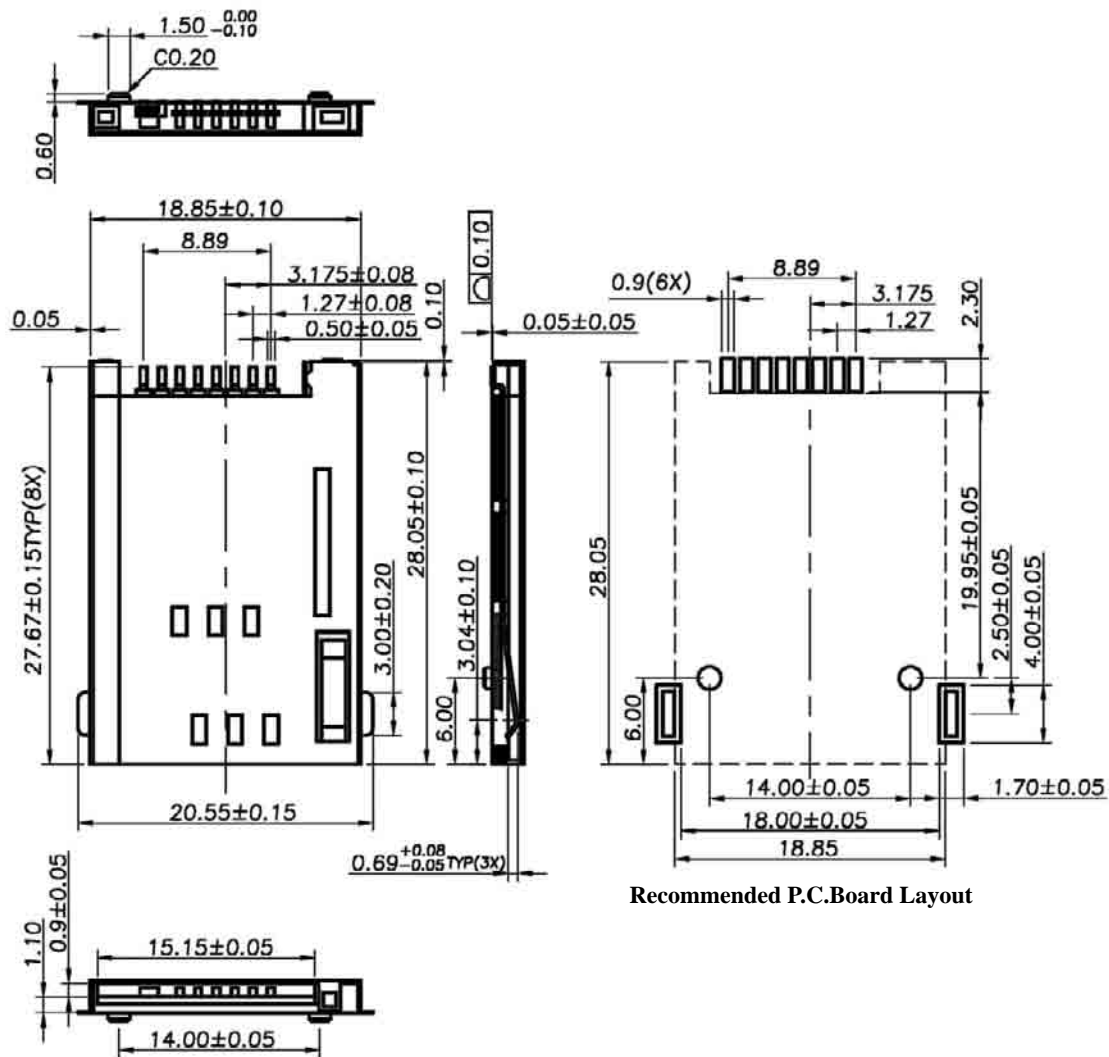
* RoHS & REACH compliant.

MATERIAL:

Insulator: LCP+30%G.F.

Housing: Nylon 9T+30%G.F.

Contact: Phosphor Bronze



ORDERING INFORMATION:

P/N M C D - 7 K 6 S C $\frac{X}{1} - \frac{X}{2}$

1.CONTACT FINISH:

"01" GOLD FLASH

"15" 15 MICROINCH GOLD

"30" 30 MICROINCH GOLD

2.PACKAGE OPTION:

"0" BULK PACK

"R" TAPE & REEL

SIM CARD 6 PIN CONNECTOR H=2.10MM

SPECIFICATIONS

Current Rating: 10mA

Dielectric Withstanding: 530VAC For 1 Minute

Contact Resistance: 100mΩ Max

Insulation R.: 100MΩ Min

Operating Temperature: -40°C ~ +80°C

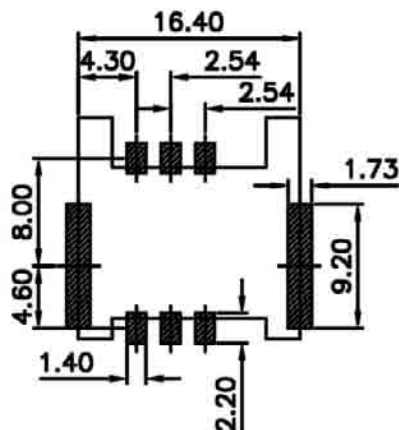
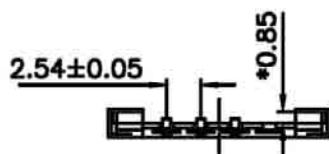
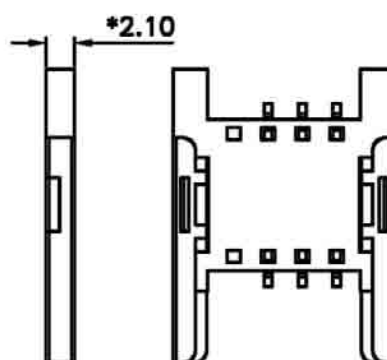
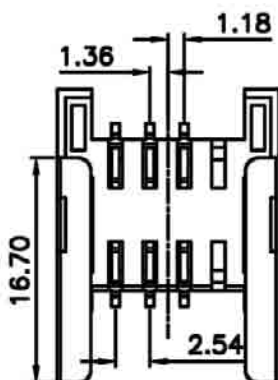
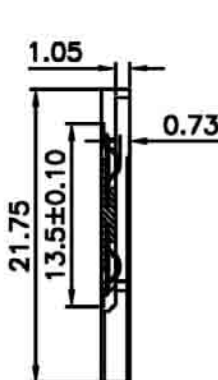
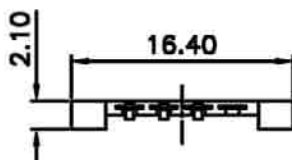
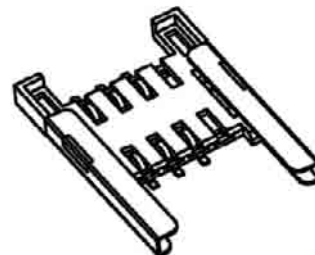
MATERIAL:

Housing: Hi-Temp, Plastic UL 94V-0

Shell: Stainless Steel, Nickel Plating

Terminal: Copper Alloy, Gold
Plated On Contact Area Tin
Plating On Solder Tail

* RoHS & REACH compliant.



Recommended P.C.Board Layout

ORDERING INFORMATION:

P/N M C D - 7 P 7 S C $\frac{x}{1} - \frac{x}{2}$

1. CONTACT FINISH:

"01" GOLD FLASH

"15" 15 MICROINCH GOLD

"30" 30 MICROINCH GOLD

2. PACKAGE TYPE:

"R" TAPE & REEL

"0" TRAY

SIM CARD 6 PIN CONNECTOR H=2.10MM

SPECIFICATIONS

Current Rating: 10mA

Dielectric Withstanding: 530VAC For 1 Minute

Contact Resistance: 100mΩ Max

Insulation R.: 100MΩ Min

Operating Temperature: -40°C ~ +80°C

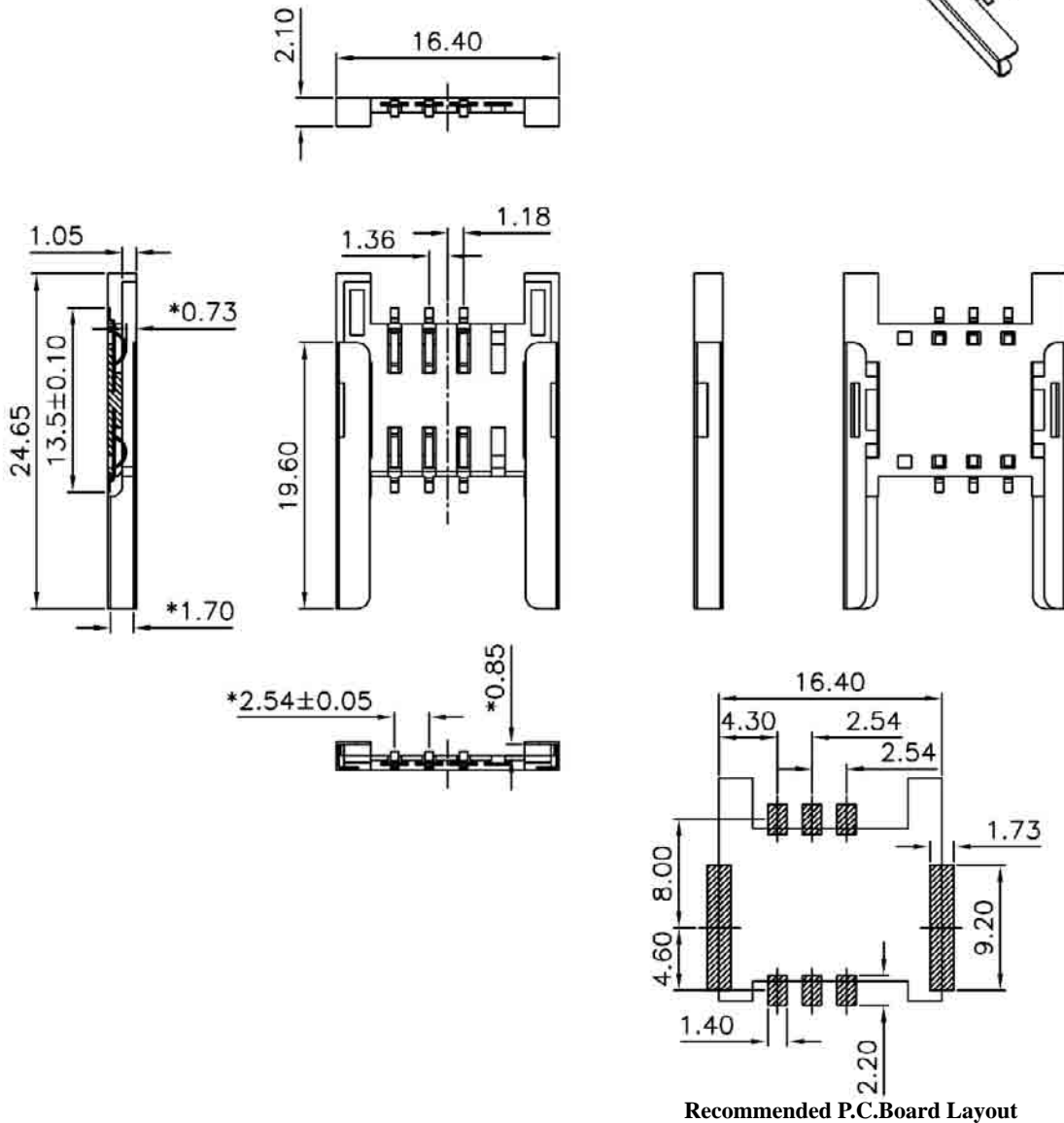
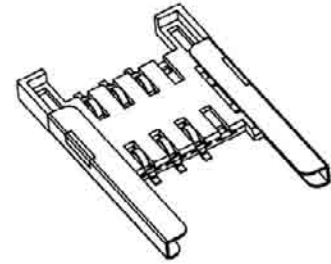
MATERIAL:

Housing: Hi-Temp, Plastic UL 94V-0

Shell: Stainless Steel, Nickel Plating

Terminal: Copper Alloy, Gold
Plated On Contact Area Tin
Plating On Solder Tail

* RoHS & REACH compliant.



ORDERING INFORMATION:

P/N M C D - 7 P 8 S C $\frac{x}{1} - \frac{x}{2}$

1. CONTACT FINISH:

"01" GOLD FLASH

"15" 15 MICROINCH GOLD

"30" 30 MICROINCH GOLD

2. PACKAGE TYPE:

"R" TAPE & REEL

"0" TRAY

SIM CARD 6 PIN CONNECTOR H=2.10MM

SPECIFICATIONS

Current Rating: 10mA

Dielectric Withstanding: 530VAC For 1 Minute

Contact Resistance: 100mΩ Max

Insulation R.: 100MΩ Min

Operating Temperature: -40°C ~ +80°C

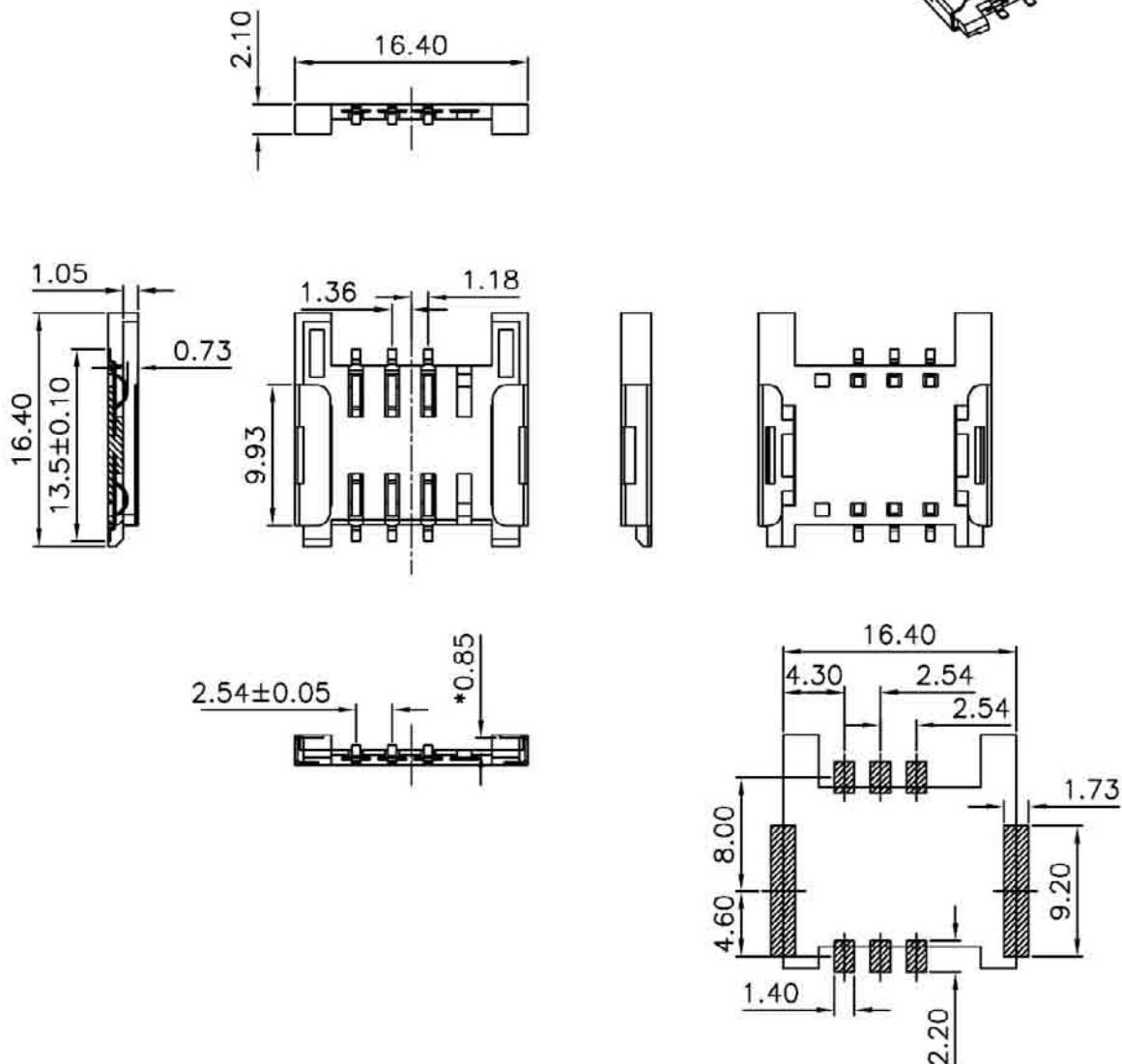
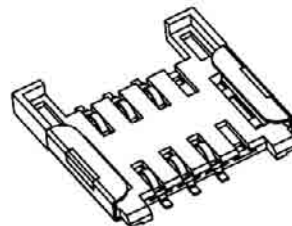
MATERIAL:

Housing: Hi-Temp, Plastic UL 94V-0

Shell: Stainless Steel, Nickel Plating

Terminal: Copper Alloy, Gold
Plated On Contact Area Tin
Plating On Solder Tail

* RoHS & REACH compliant.



Recommended P.C.Board Layout

ORDERING INFORMATION:

P/N M C D - 7 P 6 S C $\frac{x}{1} - \frac{x}{2}$

1. CONTACT FINISH:

"01" GOLD FLASH

"15" 15 MICROINCH GOLD

"30" 30 MICROINCH GOLD

2. PACKAGE TYPE:

"R" TAPE & REEL

"0" TRAY

SIM CARD 6 PIN CONNECTOR H=2.20MM

SPECIFICATIONS

Current Rating: 0.5 AMP Max

Dielectric Withstanding: 500VAC For 1 Minute

Contact Resistance: 30mΩ Max

Insulation R.: 1000MΩ Min

Operating Temperature: -25°C ~ +85°C

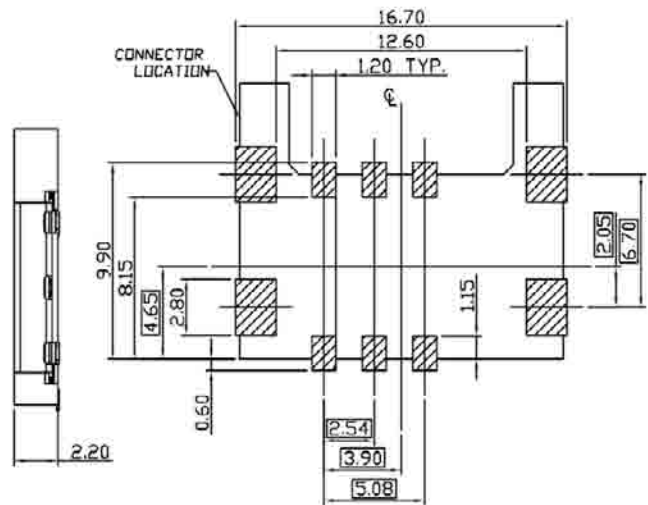
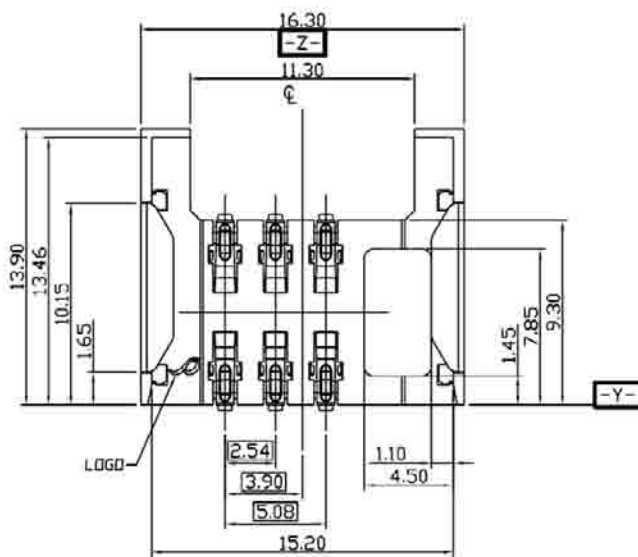
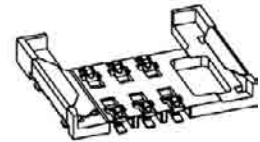
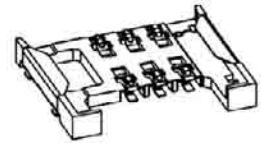
MATERIAL:

Housing: Hi-Temp, Plastic UL 94V-0

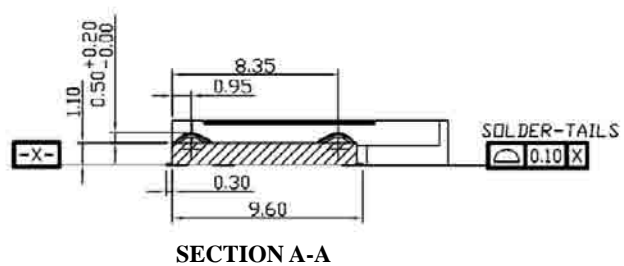
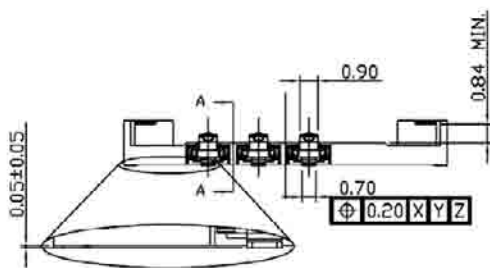
Shell: Stainless Steel, Nickel Plating

Terminal: Copper Alloy, Gold
Plated On Contact Area Tin
Plating On Solder Tail

* RoHS & REACH compliant.



Recommended P.C.Board Layout



ORDERING INFORMATION:

P/N M C D - 7 S 3 S C $\frac{01}{1} - \frac{x}{2}$

- 1..CONTACT FINISH:
"01" GOLD FLASH
- 2.PACKAGE OPTION:
"R" TAPE & REEL
"0" TRAY

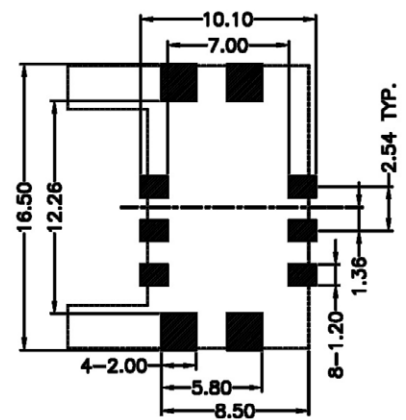
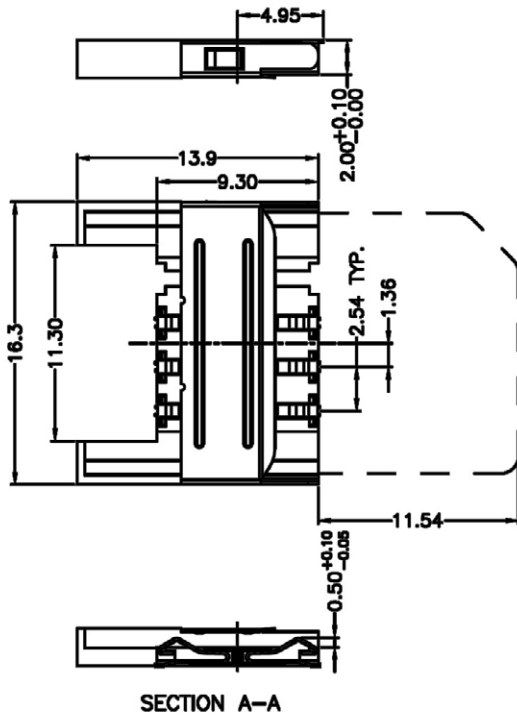
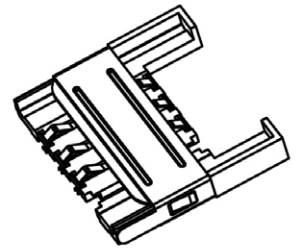
SIM CARD 6 PIN CONNECTOR H= 2.20MM

SPECIFICATIONS

Current Rating: 0.5 AMP Max
 Dielectric Withstanding: 500VAC For 1 Minute
 Contact Resistance: 30mΩ Max
 Insulation R.: 1000MΩ Min
 Operating Temperature: -25°C ~ +85°C

MATERIAL:

Housing: Hi-Temp, Plastic UL 94V-0
 Shell: Stainless Steel
 Terminal: Phosphor Bronze, Gold Plated
 * RoHS & REACH compliant.



Recommended P.C.Board Layout

ORDERING INFORMATION:

P/N M C D - 7 L 9 S C $\frac{X}{1} - \frac{X}{2}$

1. CONTACT FINISH:
 - "01" GOLD FLASH
 - "15" 15 MICROINCH GOLD
 - "30" 30 MICROINCH GOLD
2. PACKAGE TYPE:
 - "T" TUBE
 - "R" TAPE & REEL

SIM CARD 6 PIN CONNECTOR HINGE TYPE WITH POSTS H=2.30MM

SPECIFICATION:

Withstanding Voltage: 500V AC

Insulation R.: 1000MΩ at 500V AC

Current Rating: 0.5A

Contact R.: 30mΩ Max.

Dielectric Strength: 500V AC for 1 min.

Operating Temperature: -25°C ~ +85°C

Processing Temperature: 230 for 30~60 seconds

Durability: 5000 cycles

* RoHS & REACH compliant.

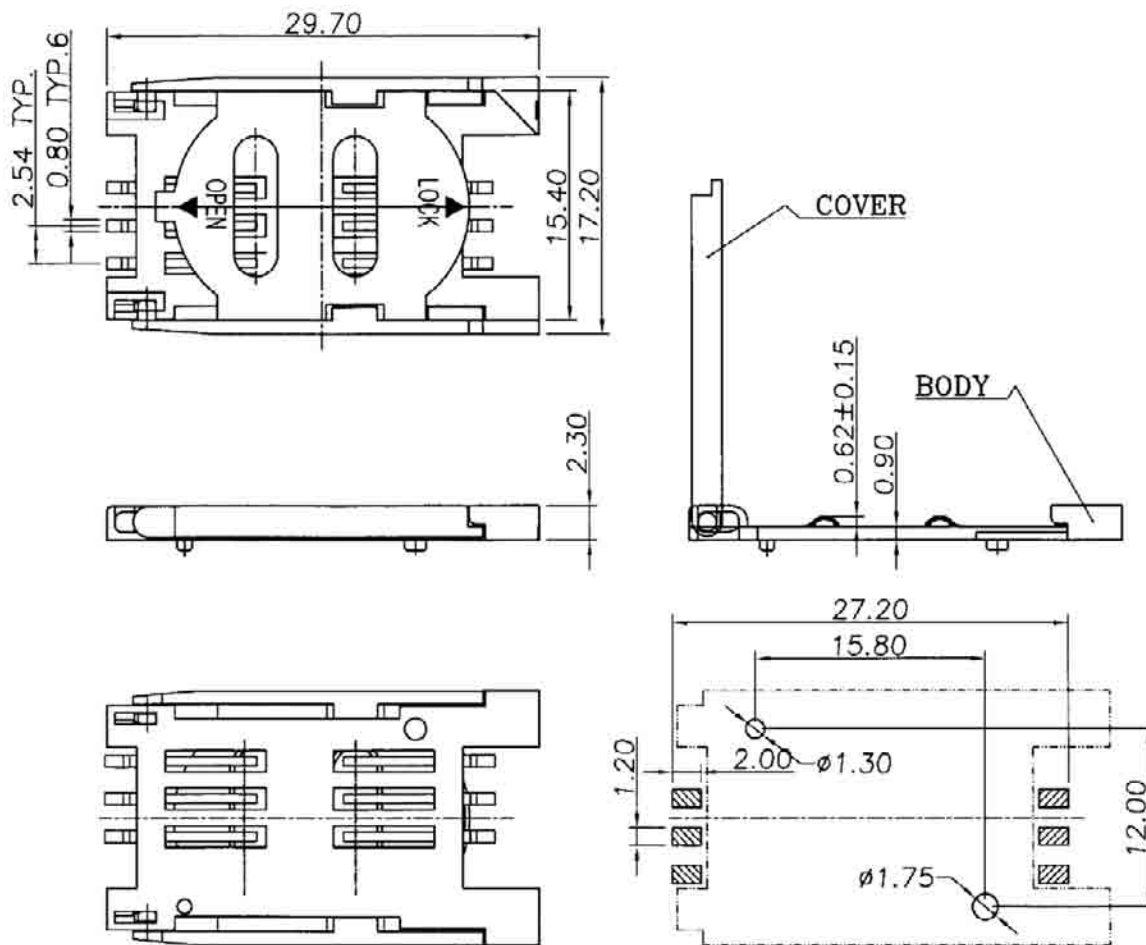
MATERIAL:

Body: PPS (UL94V-0)

Cover: LCP (UL94V-0)

Contact: Phosphor Bronze

Contact Plating: Gold plating over Nickel
on Contact area, Tin
plating on Solder Tail



Recommended P.C.Board Layout

ORDERING INFORMATION:

P/N M C D - 7 K 1 S C $\frac{x}{1} - \frac{x}{2}$

1. CONTACT FINISH:

"01" GOLD FLASH

"30" 30 MICROINCH GOLD

2. PACKAGE OPTION:

"T" TUBE

"R" TAPE & REEL

SIM CARD 6 PIN CONNECTOR HINGE TYPE H=2.30MM

SPECIFICATION:

Withstanding Voltage: 500V AC R.M.S for 1 min.

Insulation R.: 1000MΩ at 500V AC

Current Rating: 0.5A

Contact R.: 30mΩ Max.

Operating Temperature: -25°C ~ +85°C

Processing Temp: 245°C for 30~60 Seconds Max.

Durability: 5000 Cycles

* RoHS & REACH compliant.

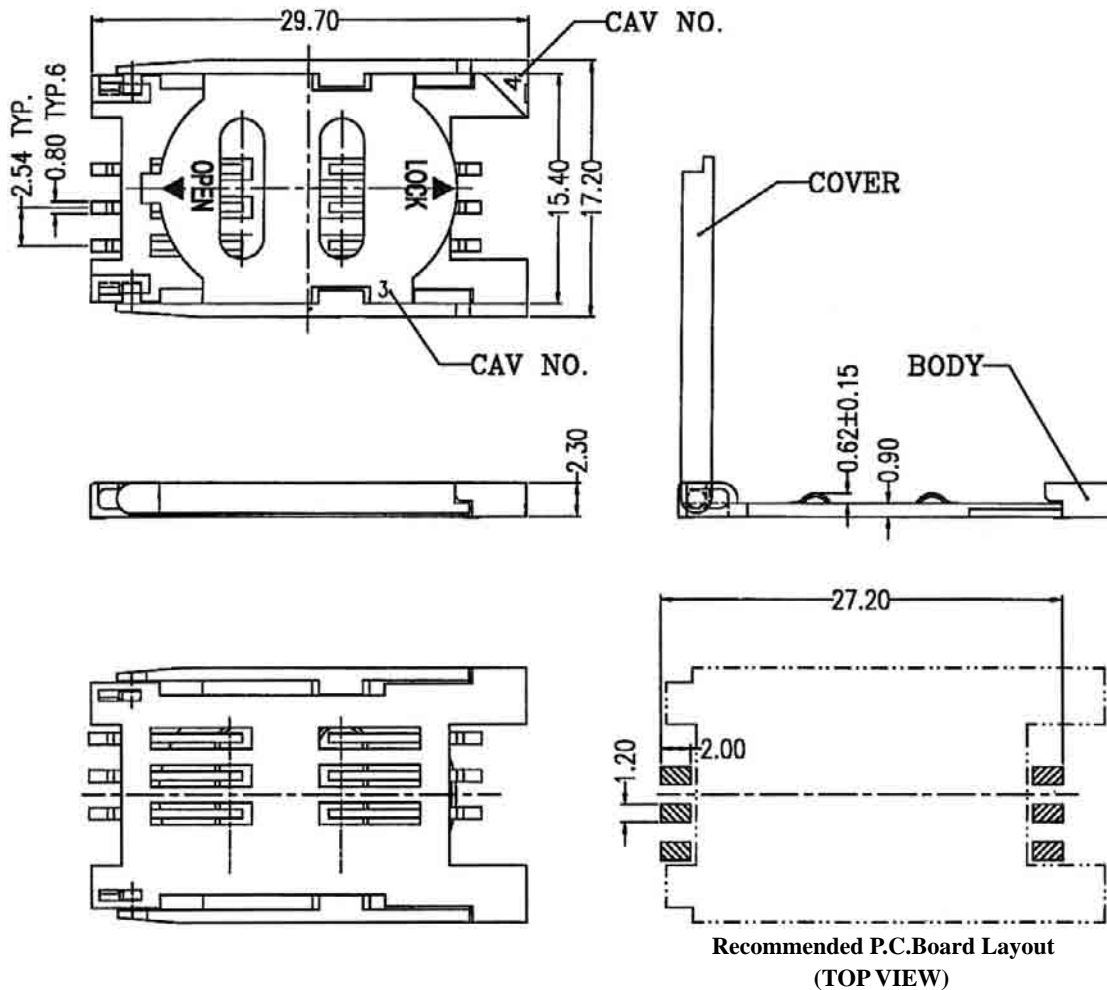
MATERIAL:

Body: PPS(UL94V-0), **Color:** Black

Cover: LCP(UL94V-0), **Color:** Black

Contact: Phosphor Bronze

Contact Plating: Gold plating over Nickel
on Contact area, Tin
plating on Solder Tail



ORDERING INFORMATION:

P/N M C D - 7 2 8 S C $\frac{x}{1} \frac{x}{2}$

1. CONTACT FINISH:

"01" GOLD FLASH

"15" 15 MICROINCH GOLD

"30" 30 MICROINCH GOLD

2. PACKAGE OPTION:

"0" BULK PACK

"T" TUBE

"R" TAPE & REEL

SIM CARD 6 PIN CONNECTOR HINGE TYPE WITH POSTS H=2.30MM

SPECIFICATION:

Withstanding Voltage: 500V AC R.M.S for 1 min.

Insulation R.: 1000MΩ at 500V AC

Current Rating: 0.5A

Contact R.: 30mΩ Max.

Operating Temperature: -25°C ~ +85°C

Processing Temp: 230°C for 30~60 Seconds Max.

Durability: 5000 Cycles

* RoHS & REACH compliant.

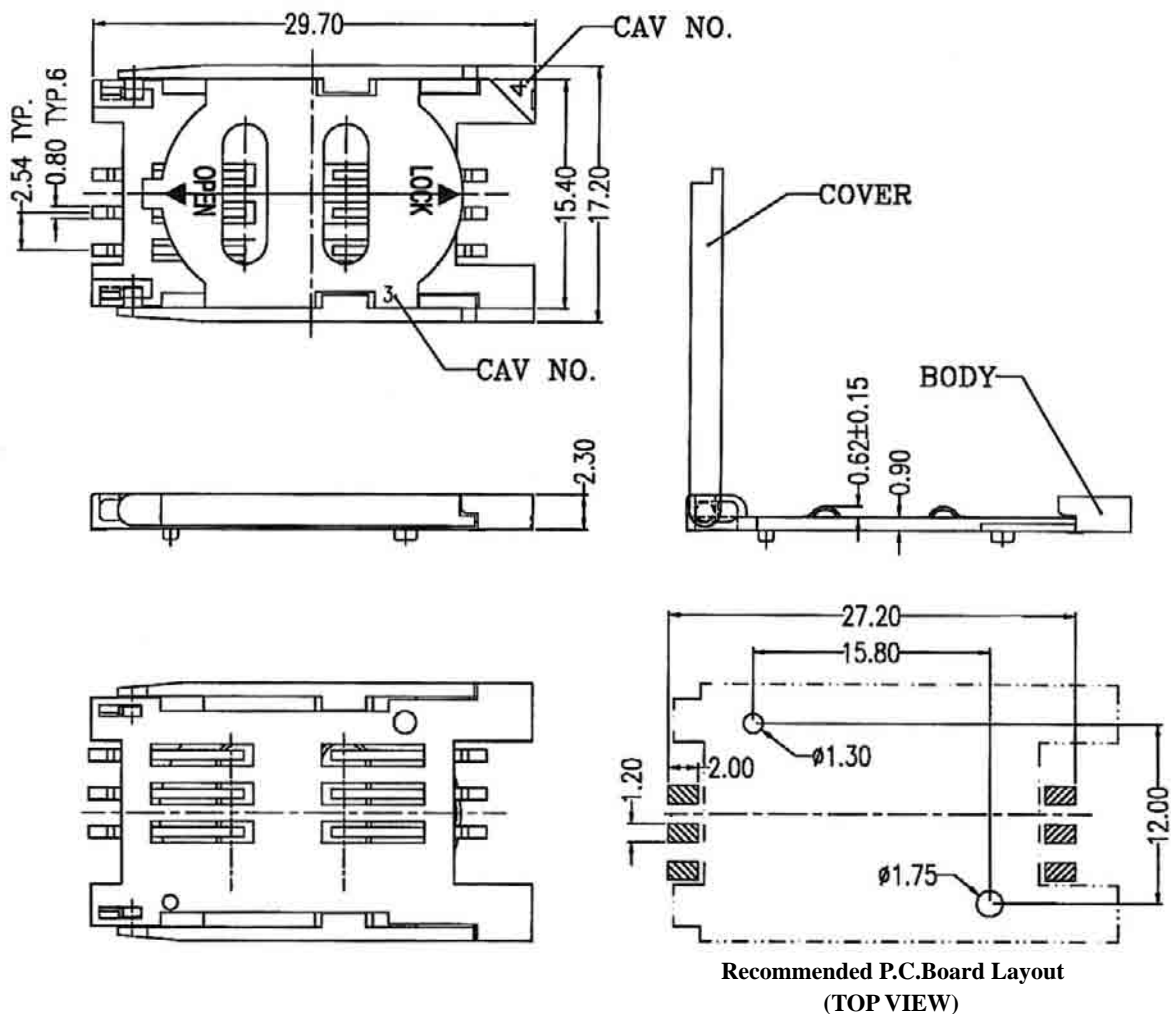
MATERIAL:

Body: PPS(UL94V-0), **Color:** Black

Cover: LCP(UL94V-0), **Color:** Black

Contact: Phosphor Bronze

Contact Plating: Gold plating over Nickel
on Contact area, Tin
plating on Solder Tail



ORDERING INFORMATION:

P/N M C D - 7 2 6 S C $\frac{x}{1} - \frac{x}{2}$

1. CONTACT FINISH:

"01" GOLD FLASH

"15" 15 MICROINCH GOLD

"30" 30 MICROINCH GOLD

2. PACKAGE OPTION:

"0" BULK PACK

"T" TUBE

"R" TAPE & REEL

SIM CARD 6 PIN CONNECTOR H=2.30MM

SPECIFICATIONS

Current Rating: 0.5 AMP Max

Dielectric Withstanding: 500VAC For 1 Minute

Contact Resistance: 30mΩ Max

Insulation R.: 1000MΩ Min

Operating Temperature: -25°C ~ +85°C

MATERIAL:

Housing: Hi-Temp, Plastic UL 94V-0

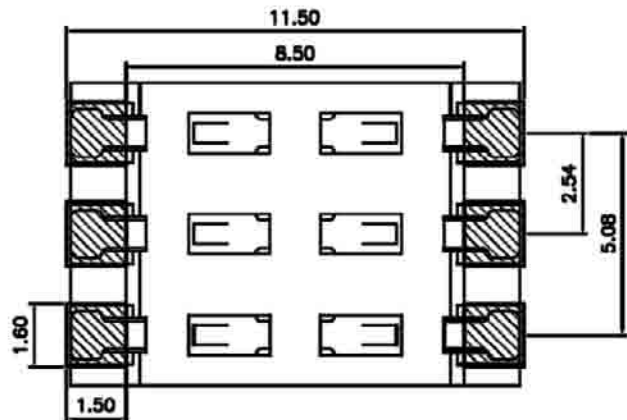
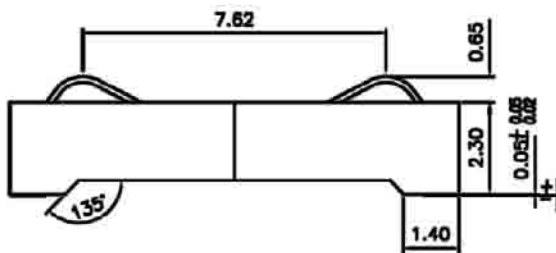
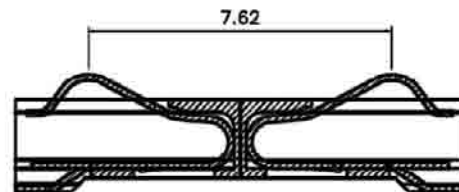
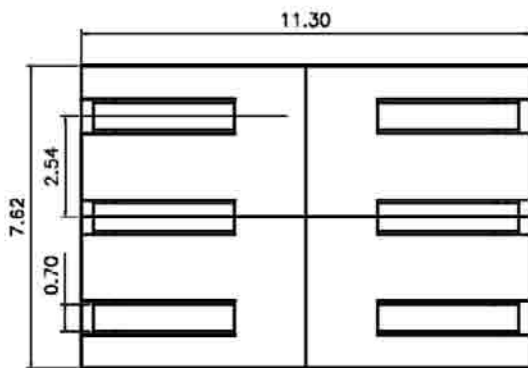
Shell: Stainless Steel, Nickel Plating

Terminal: Copper Alloy, Gold

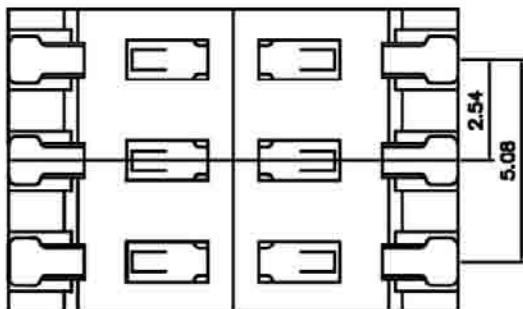
Plated On Contact Area Tin

Plating On Solder Tail

* RoHS & REACH compliant.



Recommended P.C.Board Layout



ORDERING INFORMATION:

P/N M C D - 7 U 3 S C $\frac{x}{1} \frac{x}{2}$

1..CONTACT FINISH:

"01" GOLD FLASH

"15" 15 MICROINCH GOLD

"30" 30 MICROINCH GOLD

2.PACKAGE OPTION:

"R" TAPE & REEL

"0" TRAY

SIM CARD 6 PIN CONNECTOR H=2.40MM

SPECIFICATIONS

Current Rating: 0.5A 50V AC/DC

Dielectric Withstanding: 500VAC For 1 Minute

Contact Resistance: 60mΩ Max

Insulation R.: 100MΩ Min

Operating Temperature: -25°C ~ +85°C

MATERIAL:

Housing: Hi-Temp, Plastic UL 94V-0

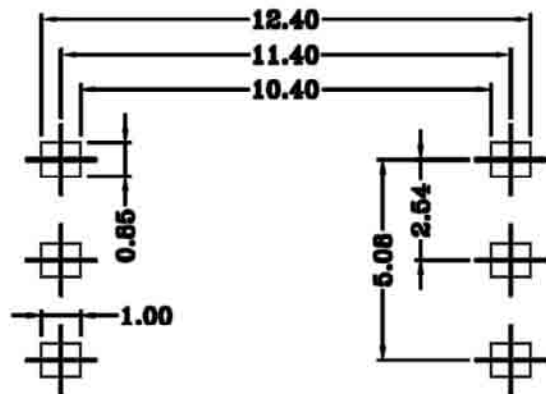
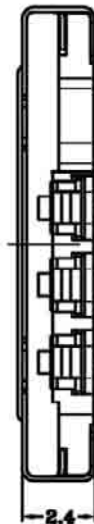
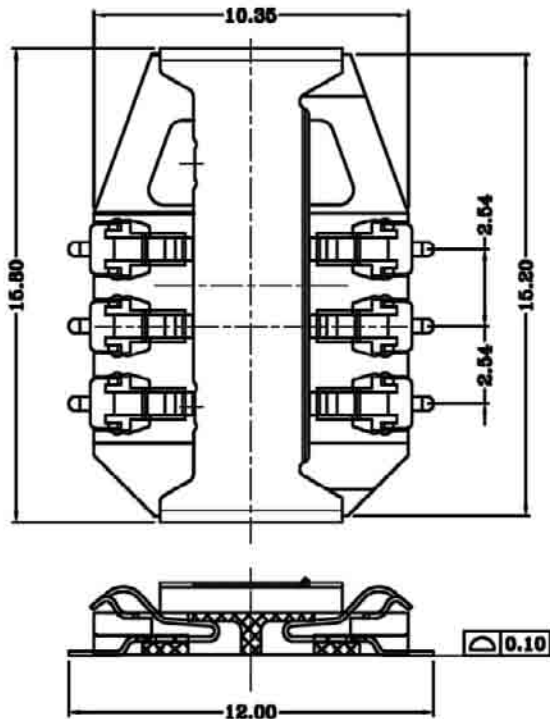
Shell: Stainless Steel, Nickel Plating

Terminal: Copper Alloy, Gold

Plated On Contact Area Tin

Plating On Solder Tail

* RoHS & REACH compliant.



Recommended P.C.Board Layout

ORDERING INFORMATION:

P/N M C D - 7 S 2 S C $\frac{01}{1} - \frac{x}{2}$

- 1..CONTACT FINISH:
"01" GOLD FLASH
- 2.PACKAGE OPTION:
"R" TAPE & REEL
"0" TRAY

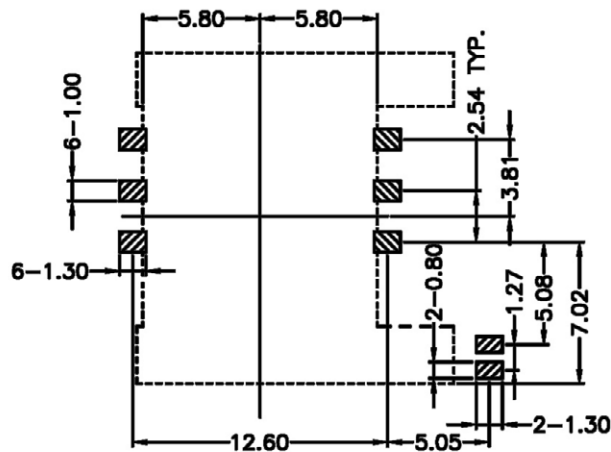
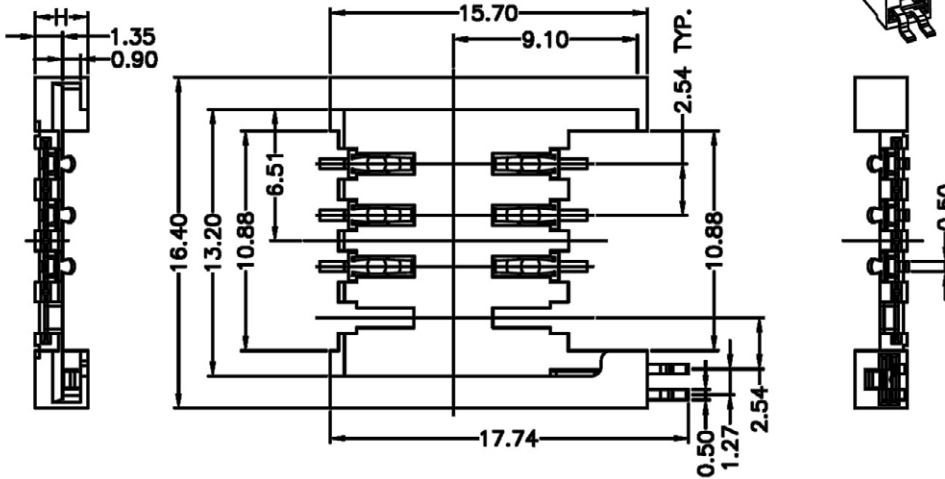
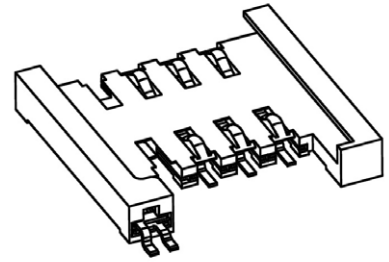
SIM CARD 6 PIN CONNECTOR WITH SWITCH H= 2.40MM & 2.60MM

SPECIFICATIONS

Current Rating: 0.5 AMP Max
 Dielectric Withstanding: 500VAC For 1 Minute
 Contact Resistance: 30mΩ Max
 Insulation R.: 1000MΩ Min
 Operating Temperature: -25°C ~ +85°C

MATERIAL:

Housing: Hi-Temp, Plastic UL 94V-0
 Terminal: Phosphor Bronze, Gold Plated
 * RoHS & REACH compliant.



Recommended P.C.Board Layout

ORDERING INFORMATION:

P/N M C D - $\frac{X X X}{1}$ S C $\frac{X X}{2}$ - $\frac{X}{3}$

1. HEIGHT OPTION:
 "7M3" H=2.40MM
 "7M4" H=2.60MM
2. CONTACT FINISH:
 "01" GOLD FLASH
 "15" 15 MICROINCH GOLD
 "30" 30 MICROINCH GOLD
3. PACKAGE TYPE:
 "T" TUBE

SIM CARD 6 PIN ACCEPTOR H=2.45MM

SPECIFICATIONS

Current Rating: 10mA Max

Dielectric Withstanding: 500VAC For 1 Minute

Contact Resistance: 30mΩ Max

Insulation R.: 1000MΩ Min

Operating Temperature: -25°C ~ +85°C

MATERIAL:

Housing: Thermoplastic UL 94V-0

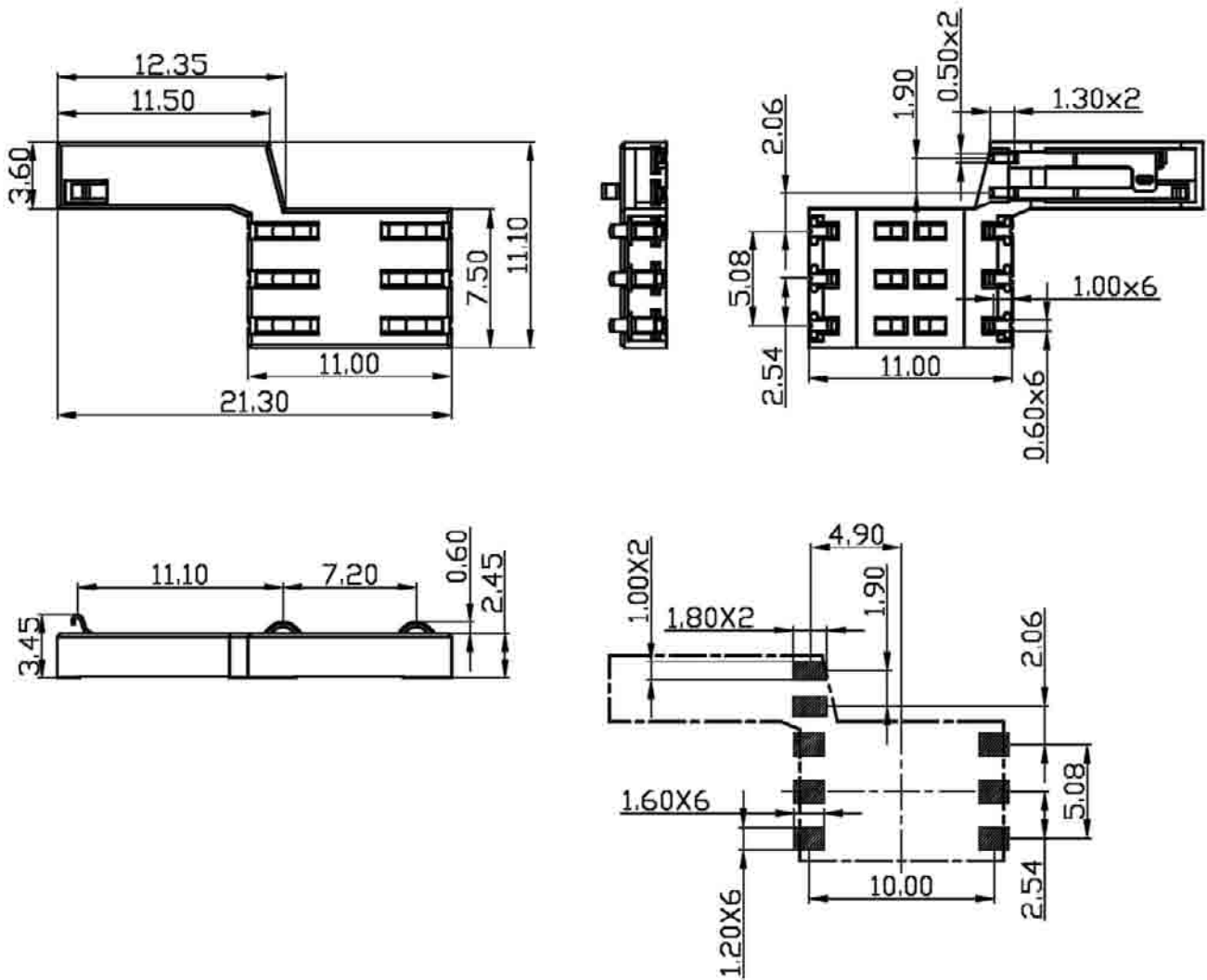
Shell: Stainless Steel, Nickel Plating

Terminal: Copper Alloy, Gold

Plated On Contact Area Tin

Plating On Solder Tail

* RoHS & REACH compliant.



Recommended P.C.Board Layout

ORDERING INFORMATION:

P/N M C D - 7 T 8 S C $\frac{x}{1} - \frac{x}{2}$

1. CONTACT FINISH:

"01" GOLD FLASH

"10" 10 MICROINCH GOLD

"15" 15 MICROINCH GOLD

"30" 30 MICROINCH GOLD

2. PACKAGE TYPE:

"0" TRAY

SIM CARD 6 PIN CONNECTOR H=2.50MM

SPECIFICATIONS

Current Rating: 0.5A 50V AC/DC

Dielectric Withstanding: 500VAC For 1 Minute

Contact Resistance: 60mΩ Max

Insulation R.: 100MΩ Min

Operating Temperature: -25°C ~ +85°C

MATERIAL:

Housing: LCP+30%GF UL 94V-0

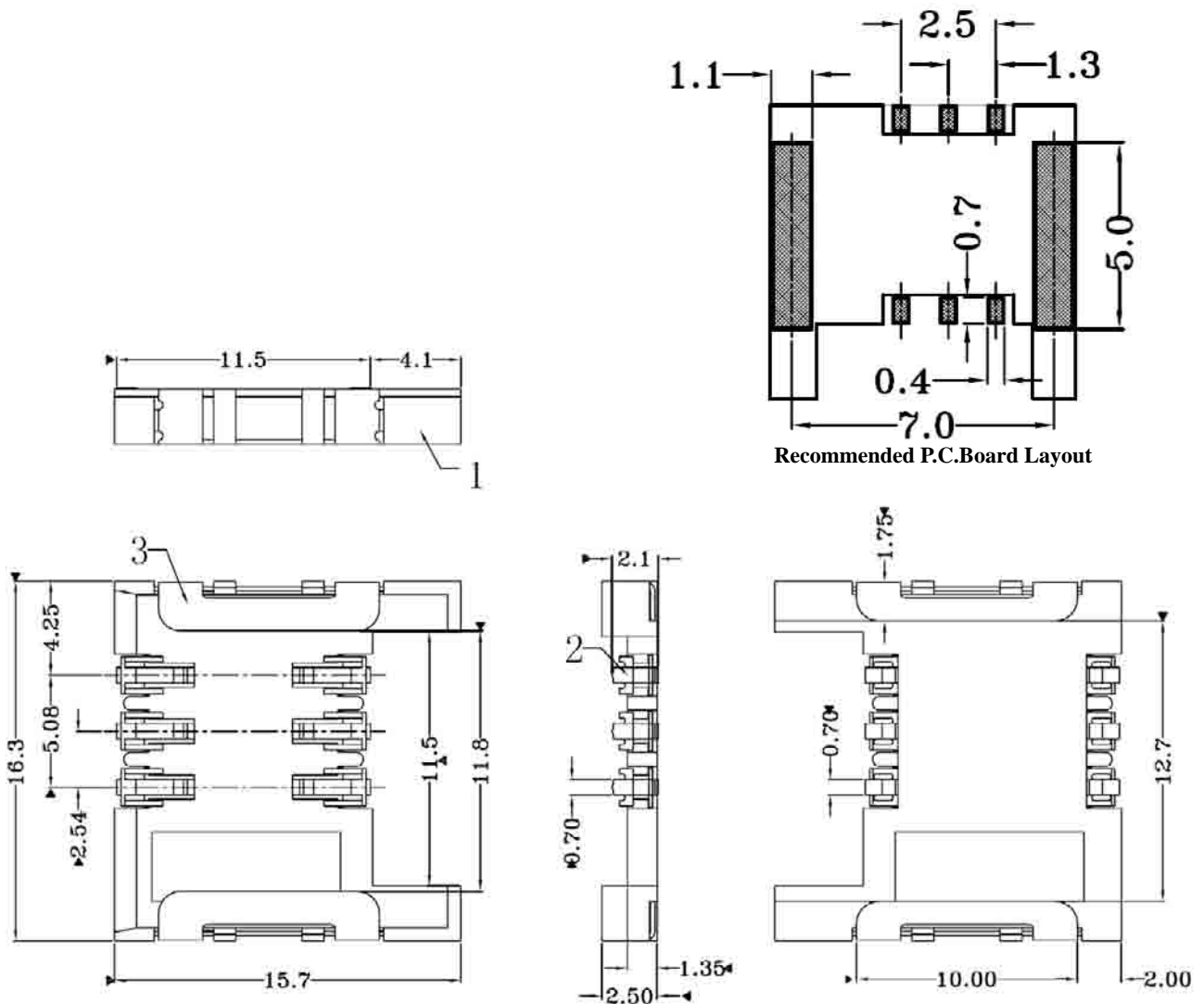
Shell: Stainless Steel, Nickel Plating

Terminal: Copper Alloy, Gold

Plated On Contact Area Tin

Plating On Solder Tail

* RoHS & REACH compliant.



ORDERING INFORMATION:

P/N M C D - 7 S 1 S C $\frac{0.5}{1} - \frac{x}{2}$

1..CONTACT FINISH:

"05" 5 MICROINCH GOLD

2.PACKAGE OPTION:

"R" TAPE & REEL

"0" TRAY

SIM CARD 6 PIN CONNECTOR HINGE TYPE WITH SWITCH H= 2.50MM

SPECIFICATIONS

Current Rating: 0.5 AMP Max

Dielectric Withstanding: 500VAC For 1 Minute

Contact Resistance: 30mΩ Max

Insulation R.: 1000MΩ Min

Operating Temperature: -25°C ~ +85°C

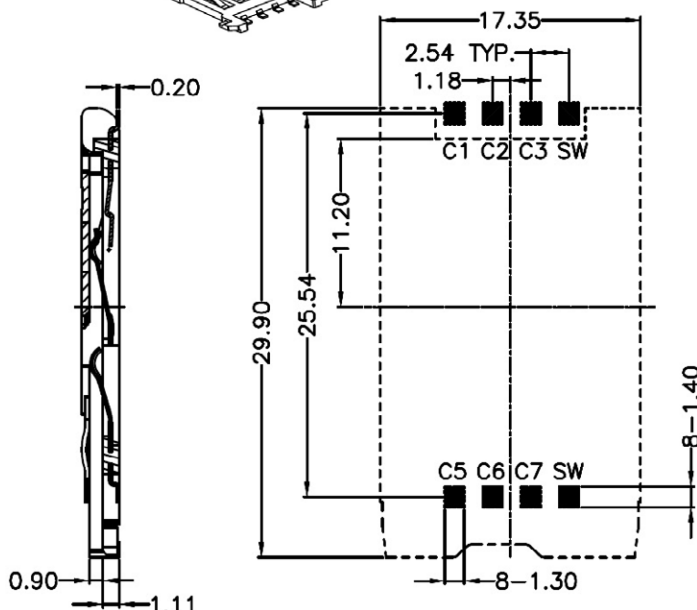
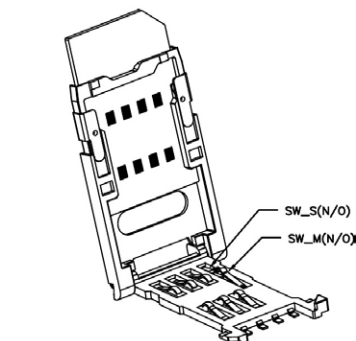
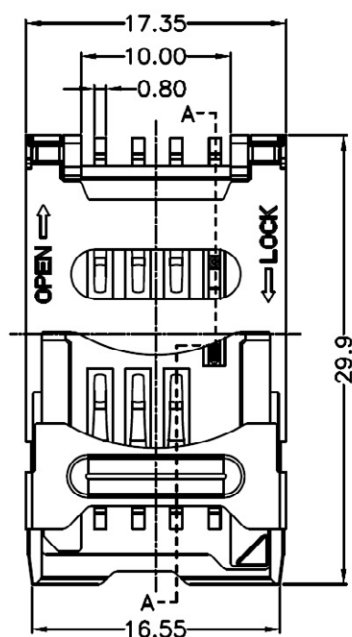
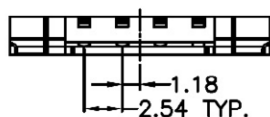
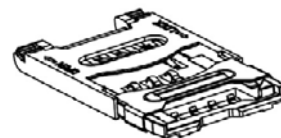
* RoHS & REACH compliant.

MATERIAL:

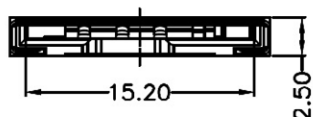
Housing: Hi-Temp, Plastic UL 94V-0

Latch: Stainless Steel, Nickel Plated

Terminal: Copper Alloy, Gold Plated



SECTION A-A



ORDERING INFORMATION:

P/N M C D - 7 L 3 S C $\frac{X}{1}$ - $\frac{R}{2}$

1. CONTACT FINISH:

"01" GOLD FLASH

"15" 15 MICROINCH GOLD

"30" 30 MICROINCH GOLD

2. PACKAGE TYPE:

"R" TAPE & REEL

SIM CARD 6 PIN CONNECTOR HINGE TYPE H= 2.50MM

SPECIFICATIONS

Current Rating: 0.5 AMP Max

Dielectric Withstanding: 500VAC For 1 Minute

Contact Resistance: 30mΩ Max

Insulation R.: 1000MΩ Min

Operating Temperature: -25°C ~ +85°C

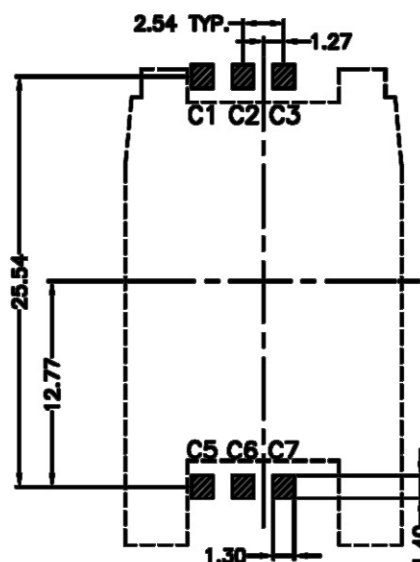
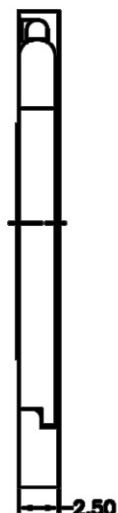
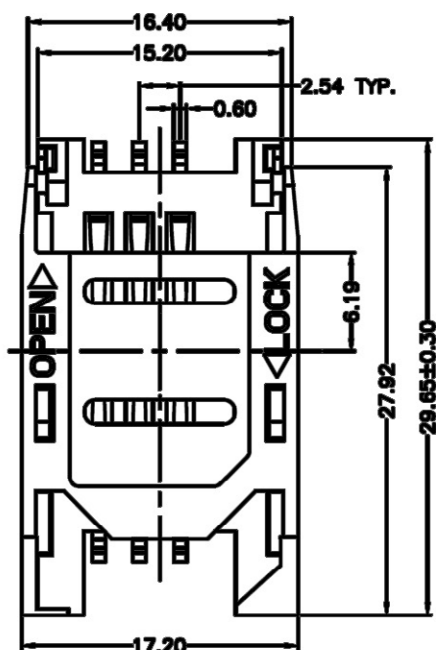
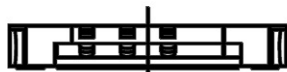
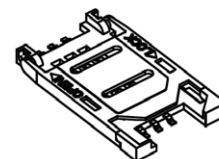
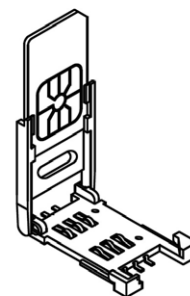
* RoHS & REACH compliant.

MATERIAL:

Housing: Hi-Temp, Plastic UL 94V-0

Latch: Stainless Steel, Nickel Plated

Terminal: Copper Alloy, Gold Plated



ORDERING INFORMATION:

P/N M C D - 7 L 5 S C $\frac{x}{1}$ - $\frac{x}{2}$

1.CONTACT FINISH:

"01" GOLD FLASH

"15" 15 MICROINCH GOLD

"30" 30 MICROINCH GOLD

2.PACKAGE TYPE:

"0" TRAY

"R" TAPE & REEL

SIM CARD 6 PIN CONNECTOR HINGE TYPE WITH POSTS H= 2.50MM

SPECIFICATIONS

Current Rating: 0.5 AMP Max

Dielectric Withstanding: 500VAC For 1 Minute

Contact Resistance: 30mΩ Max

Insulation R.: 1000MΩ Min

Operating Temperature: -25°C ~ +85°C

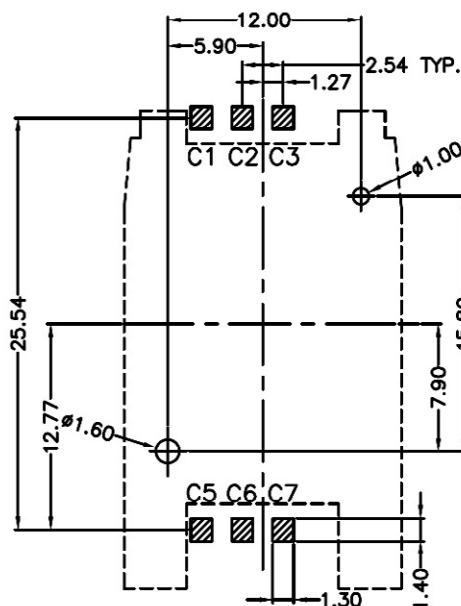
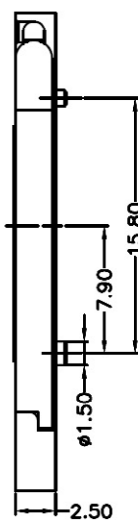
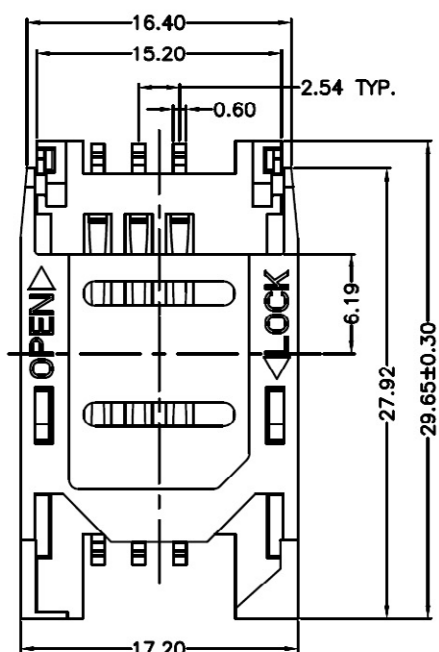
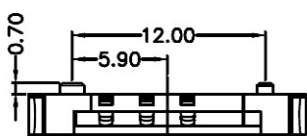
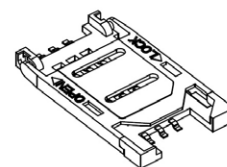
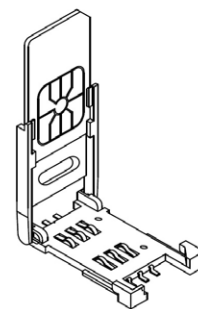
* RoHS & REACH compliant.

MATERIAL:

Housing: Hi-Temp, Plastic UL 94V-0

Latch: Stainless Steel, Nickel Plated

Terminal: Copper Alloy, Gold Plated



ORDERING INFORMATION:

P/N M C D - 7 L 6 S C $\frac{x}{1}$ - $\frac{x}{2}$

1.CONTACT FINISH:

"01" GOLD FLASH

"15" 15 MICROINCH GOLD

"30" 30 MICROINCH GOLD

2.PACKAGE TYPE:

"0" TRAY

"R" TAPE & REEL

SIM CARD 6 PIN CONNECTOR H=2.50MM

SPECIFICATIONS

Current Rating: 0.5 AMP Max

Dielectric Withstanding: 500VAC For 1 Minute

Contact Resistance: 30mΩ Max

Insulation R.: 1000MΩ Min

Operating Temperature: -25°C ~ +85°C

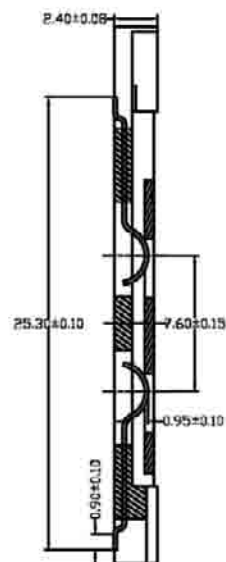
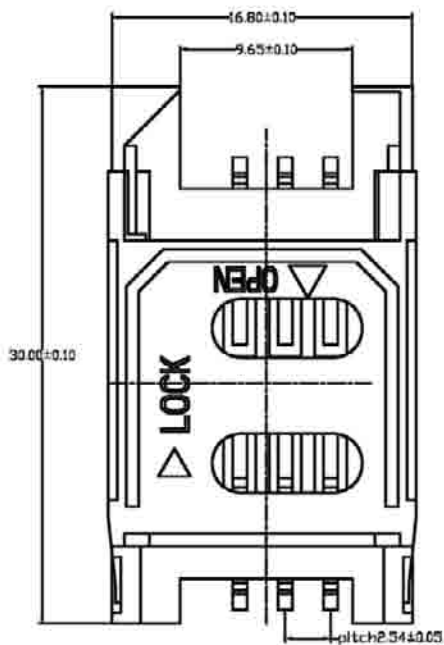
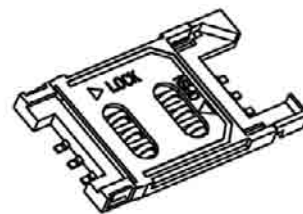
MATERIAL:

Housing: LCP Glass Fibre UL 94V-0

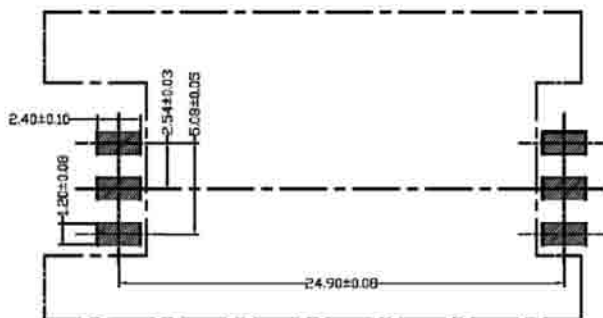
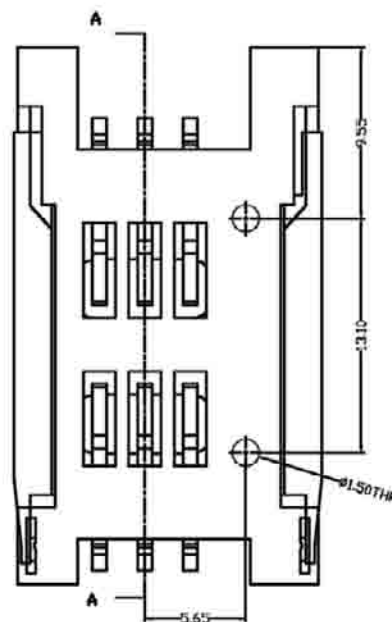
Shell: Stainless Steel, Nickel Plating

Terminal: Copper Alloy, Gold
Plated On Contact Area Tin
Plating On Solder Tail

* RoHS & REACH compliant.



SECTION A-A



Recommended P.C.Board Layout

ORDERING INFORMATION:

P/N M C D - 7 R 7 S C $\frac{0.5}{1} - \frac{x}{2}$

1..CONTACT FINISH:

"05" 5 MICROINCH GOLD

2.PACKAGE OPTION:

"R" TAPE & REEL

"0" TRAY

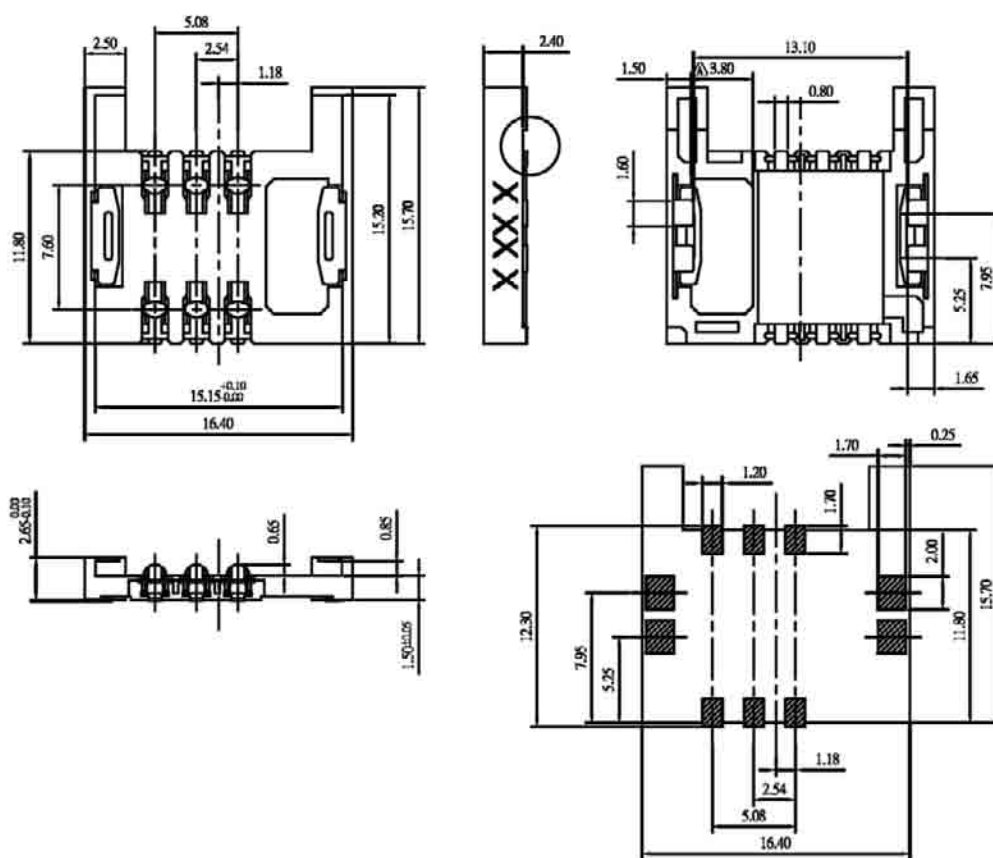
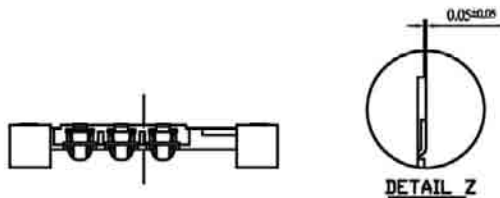
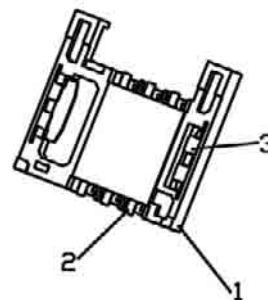
SIM CARD 6 PIN CONNECTOR H=2.60MM

SPECIFICATIONS

Current Rating: 1 AMP Max
Dielectric Withstanding: 500VAC For 1 Minute
Contact Resistance: 50mΩ Max
Insulation R.: 100MΩ Min
Operating Temperature: -40°C ~ +85°C

MATERIAL:

Housing: LCP UL 94V-0
Shell: Stainless Steel, Nickel Plating
Terminal: Under Plated 50u" Min, Nickel
 Over All 80-120u" Tin Over All
*** RoHS & REACH compliant.**



Recommended P.C.Board Layout

ORDERING INFORMATION:

P/N M C D - 7 N 8 S C $\frac{03}{1} - \frac{x}{2}$

- 1.CONTACT FINISH:
"03" 03 MICROINCH GOLD
- 2.PACKAGE OPTION:
"R" TAPE & REEL
"0" TRAY

SIM CARD 6 PIN CONNECTOR WITH POSTS H= 2.60MM

SPECIFICATIONS

Current Rating: 0.5 AMP Max

Dielectric Withstanding: 500VAC For 1 Minute

Contact Resistance: 30mΩ Max

Insulation R.: 1000MΩ Min

Operating Temperature: -25°C ~ +85°C

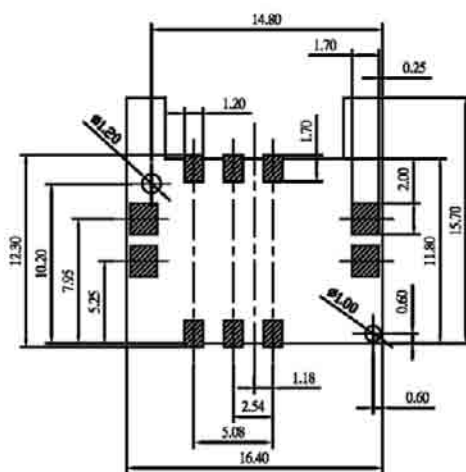
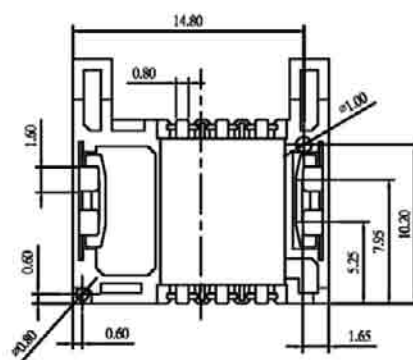
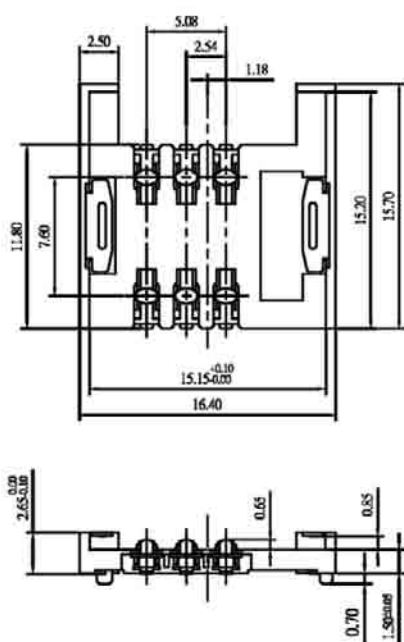
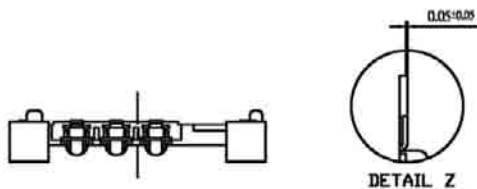
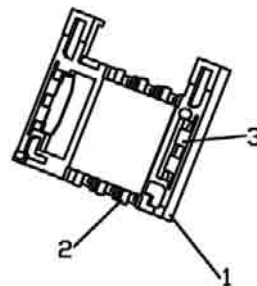
MATERIAL:

Housing: Hi-Temp, Plastic UL 94V-0

Shell: Stainless Steel, Nickel Plating

Terminal: Copper Alloy, Gold
Plated On Contact Area Tin
Plating On Solder Tail

* RoHS & REACH compliant.



Recommended P.C.Board Layout

ORDERING INFORMATION:

P/N M C D - 7 N 7 S C $\frac{0.3}{1} - \frac{x}{2}$

1.CONTACT FINISH:

"03" 03 MICROINCH GOLD

2.PACKAGE TYPE:

"R" TAPE & REEL

"0" TRAY

SIM CARD 6 PIN CONNECTOR H=2.70MM

SPECIFICATIONS

Current Rating: 0.5 AMP Max

Dielectric Withstanding: 500VAC For 1 Minute

Contact Resistance: 30mΩ Max

Insulation R.: 1000MΩ Min

Operating Temperature: -25°C ~ +85°C

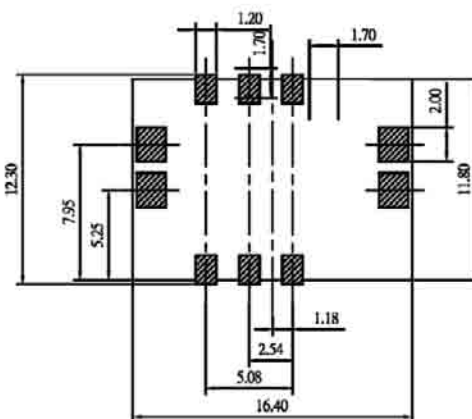
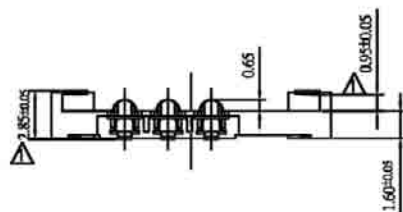
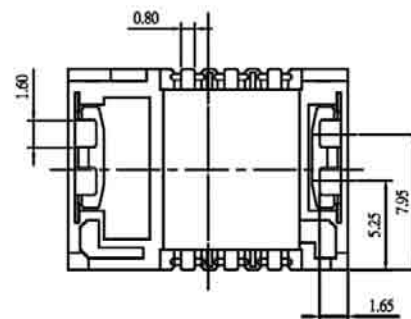
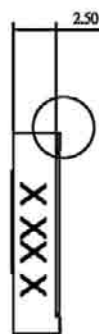
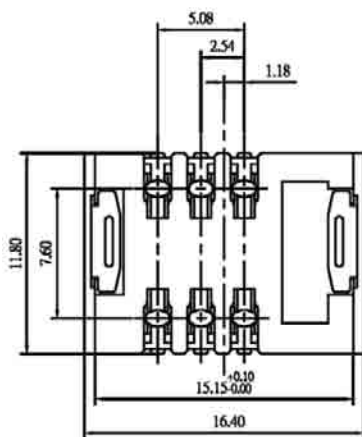
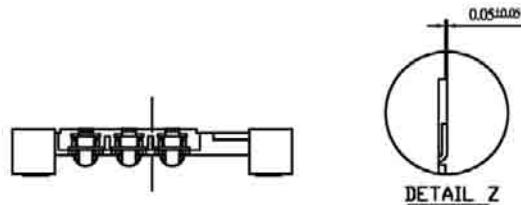
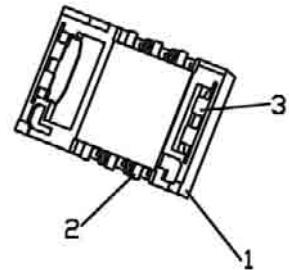
MATERIAL:

Housing: PA9T+40%G/F ,Black

Shell: Stainless Steel, Nickel Plating

Terminal: Under Plated 50u" Min, Nickel
Over All 80-120u" Tin Over All

* RoHS & REACH compliant.



Recommended P.C.Board Layout

ORDERING INFORMATION:

P/N M C D - 7 P 1 S C $\frac{0.3}{1} - \frac{x}{2}$

1.CONTACT FINISH:

"03" 03 MICROINCH GOLD

2.PACKAGE OPTION:

"R" TAPE & REEL

"0" TRAY

SIM CARD 6 PIN CONNECTOR H=2.70MM

SPECIFICATIONS

Current Rating: 1A Max

Dielectric Withstanding: 500VAC For 1 Minute

Contact Resistance: 30mΩ Max

Insulation R.: 1000MΩ Min

Operating Temperature: -40°C ~ +85°C

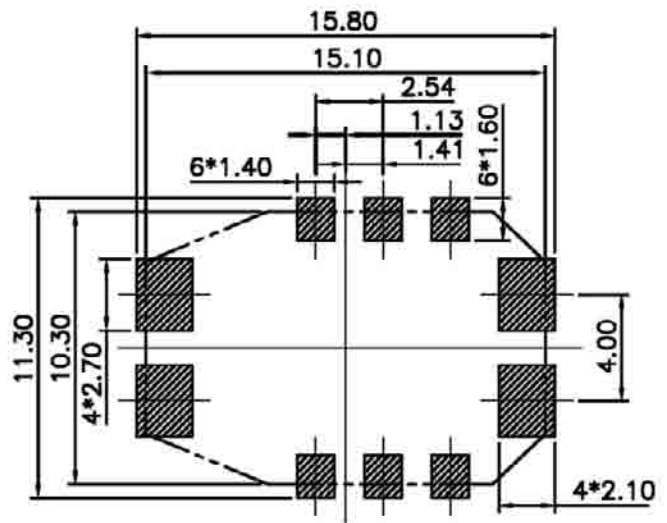
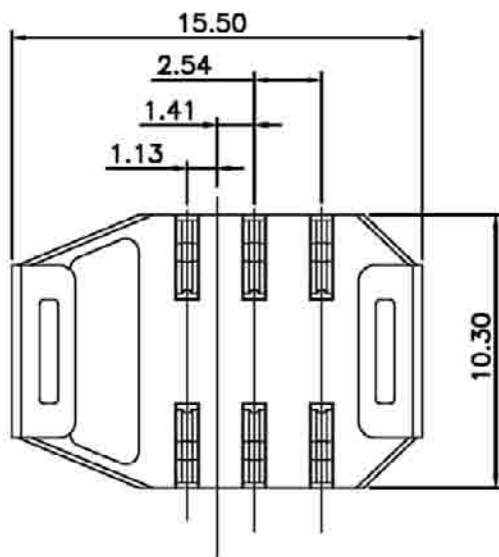
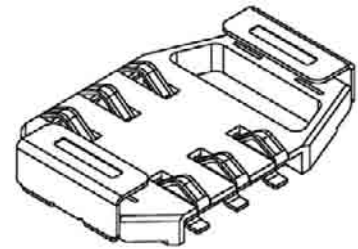
MATERIAL:

Housing: Hi-Temp, Plastic UL 94V-0

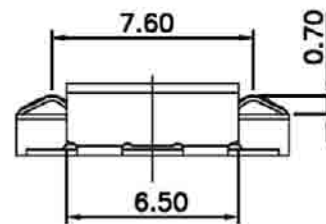
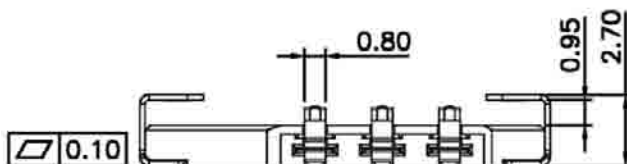
Shell: Stainless Steel, Nickel Plating

Terminal: Copper Alloy, Gold
Plated On Contact Area Tin
Plating On Solder Tail

* RoHS & REACH compliant.



Recommended P.C.Board Layout



ORDERING INFORMATION:

P/N M C D - 7 T 1 S C $\frac{01}{1} - \frac{x}{2}$

- 1..CONTACT FINISH:
"01" GOLD FLASH
- 2.PACKAGE OPTION:
"R" TAPE & REEL
"0" TRAY

SIM CARD 6 PIN CONNECTOR WITH POSTS H=2.70MM

SPECIFICATIONS

Current Rating: 0.5 AMP Max

Dielectric Withstanding: 500VAC For 1 Minute

Contact Resistance: 30mΩ Max

Insulation R.: 1000MΩ Min

Operating Temperature: -25°C ~ +85°C

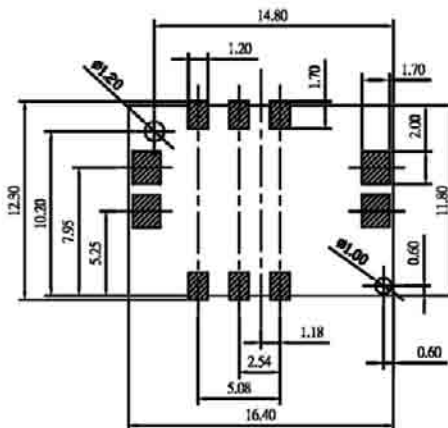
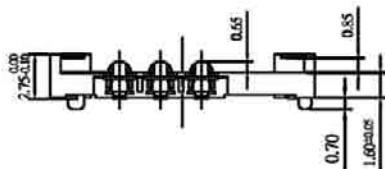
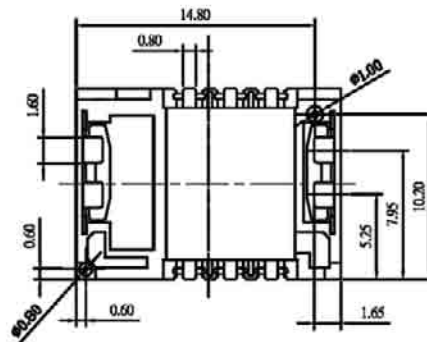
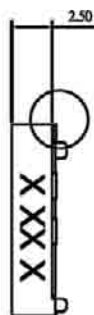
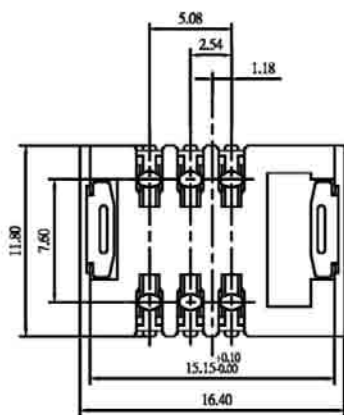
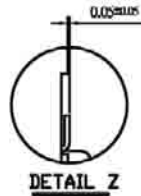
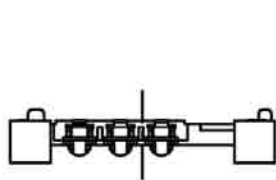
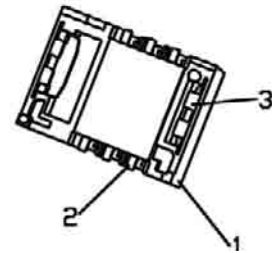
MATERIAL:

Housing: LCP UL 94V-0

Shell: Stainless Steel, Nickel Plating

Terminal: Under Plated 50u" Min, Nickel
Over All 80-120u" Tin Over All

* RoHS & REACH compliant.



Recommended P.C.Board Layout

ORDERING INFORMATION:

P/N M C D - 7 N 9 S C $\frac{0.3}{1} - \frac{x}{2}$

1.CONTACT FINISH:

"03" 03 MICROINCH GOLD

2.PACKAGE OPTION:

"R" TAPE & REEL

"0" TRAY

SIM CARD 6 PIN CONNECTOR H= 2.80MM

SPECIFICATIONS

Current Rating: 0.5 AMP Max

Dielectric Withstanding: 500VAC For 1 Minute

Contact Resistance: 30mΩ Max

Insulation R.: 1000MΩ Min

Operating Temperature: -25°C ~ +85°C

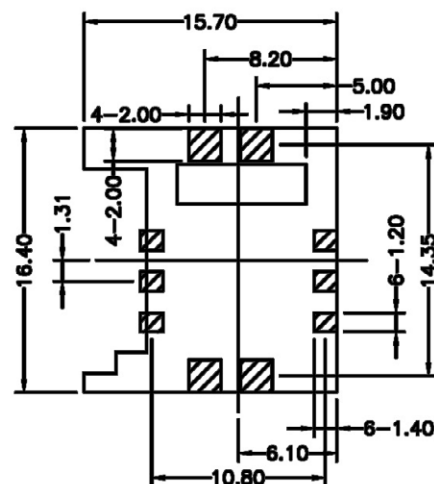
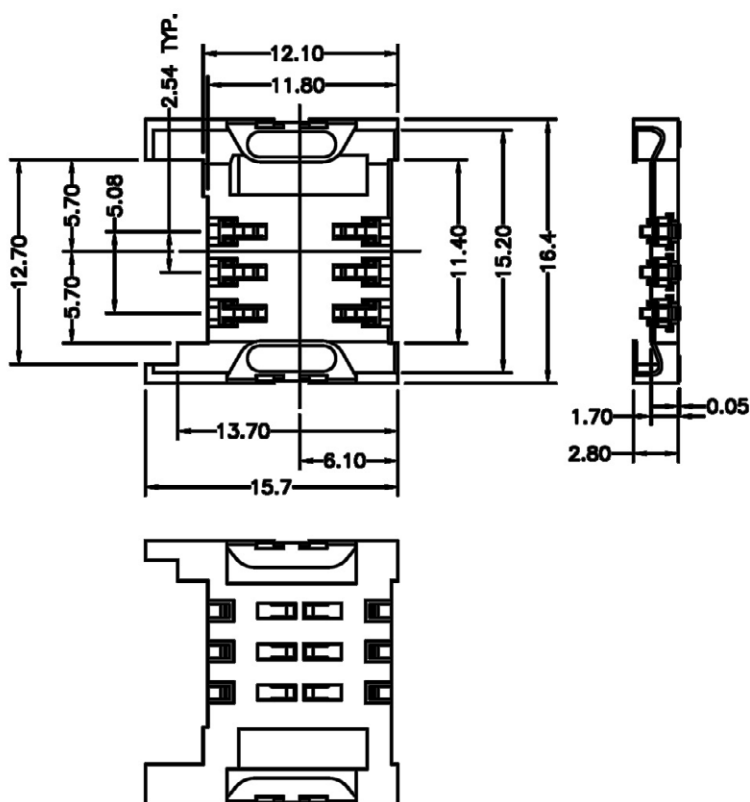
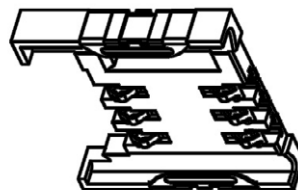
* RoHS & REACH compliant.

MATERIAL:

Housing: Hi-Temp, Plastic UL 94V-0

Latch: Stainless Steel, Nickel Plated

Terminal: Copper Alloy, Gold Plated



Recommended P.C.Board Layout

ORDERING INFORMATION:

P/N M C D - 7 L 4 S C $\frac{X}{1} - \frac{R}{2}$

1. CONTACT FINISH:

"01" GOLD FLASH

"15" 15 MICROINCH GOLD

"30" 30 MICROINCH GOLD

2. PACKAGE TYPE:

"R" TAPE & REEL

SIM CARD 6 PIN CONNECTOR H=2.80MM

SPECIFICATION:

Withstanding Voltage: 500V AC Max for 1 min.

Insulation R.: 1000MΩ/500V DC

Voltage Rating: 5 Volts Max.

Current Rating: 10mA Max.

Contact R.: 50mΩ Max.

Operating Temperature: -40°C ~ +85°C

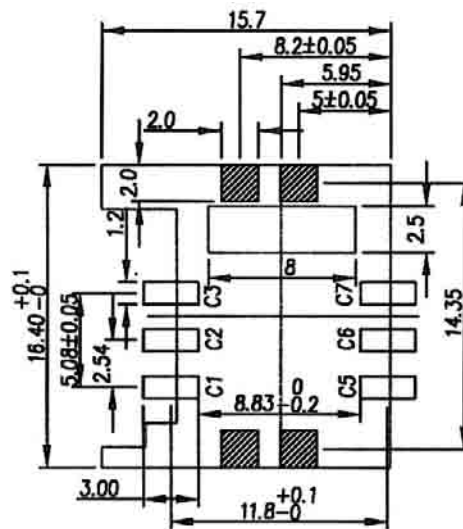
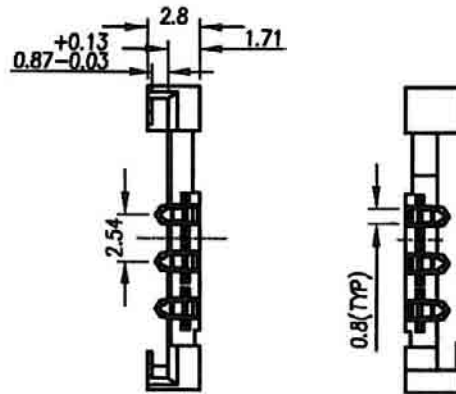
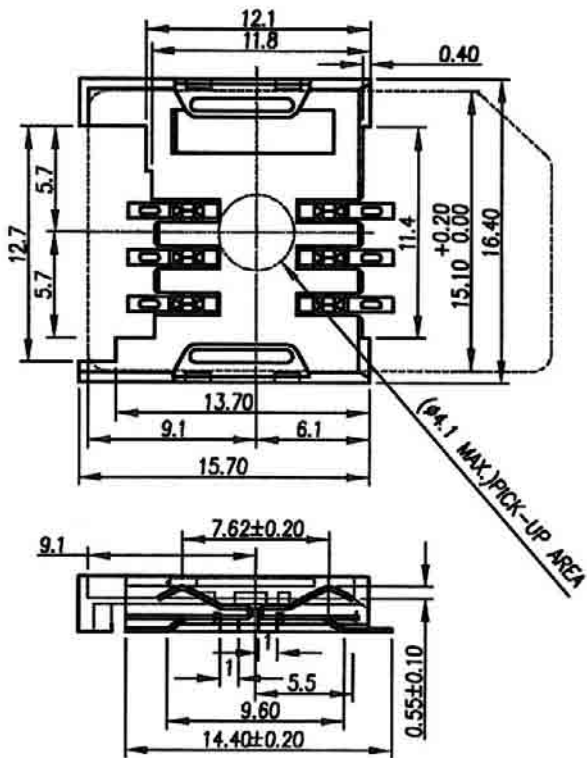
Durability: 10000 cycles min.

* RoHS & REACH compliant.

MATERIAL:

Insulator: LCP

Housing: Thermoplastic (UL94V-0)



Recommended P.C. Board Layout

ORDERING INFORMATION:

P/N MCD-716SC $\frac{x}{1} - \frac{x}{2}$

- CONTACT FINISH:
"01" GOLD FLASH
"30" 30 MICROINCH GOLD
- PACKAGE TYPE:
"T" TUBE
"R" TAPE & REEL

SIM CARD 6 PIN CONNECTOR H=2.90MM

SPECIFICATIONS

Current Rating: 0.5 AMP Max

Dielectric Withstanding: 500VAC For 1 Minute

Contact Resistance: 30mΩ Max

Insulation R.: 1000MΩ Min

Operating Temperature: -40°C ~ +85°C

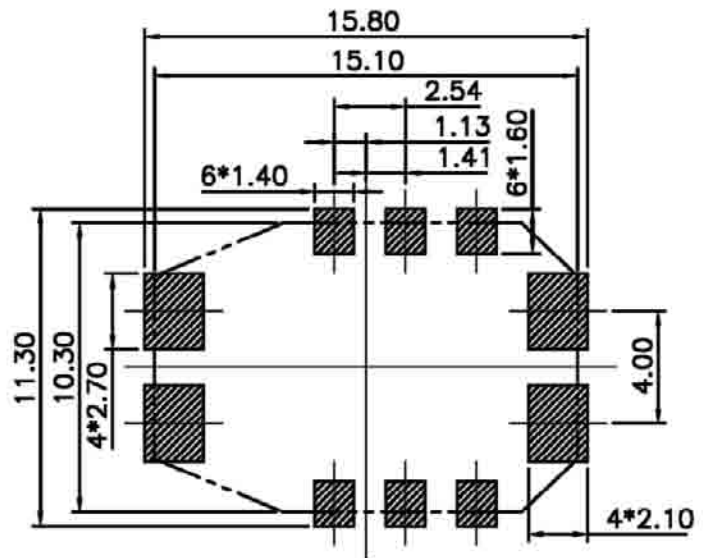
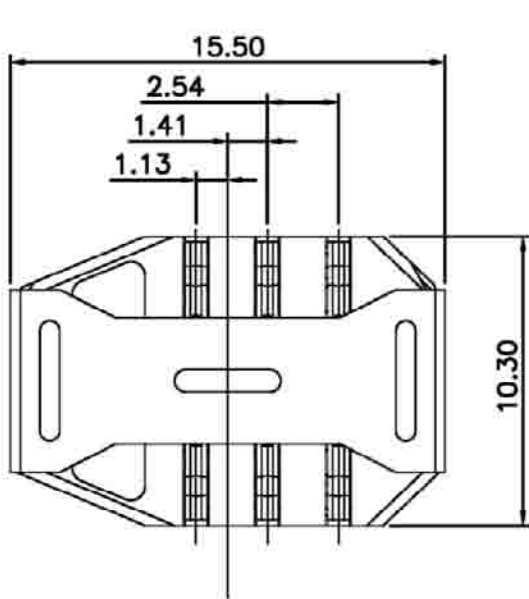
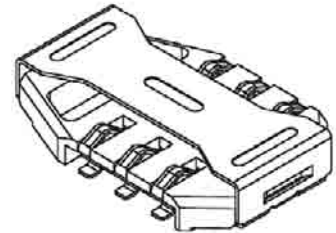
MATERIAL:

Housing: Hi-Temp, Plastic UL 94V-0

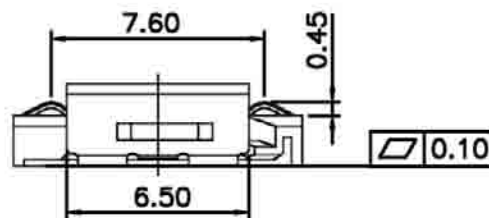
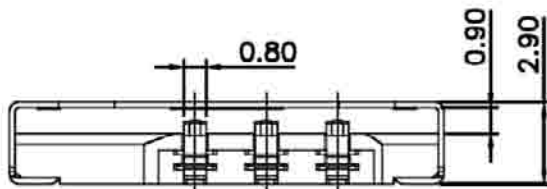
Shell: Stainless Steel, Nickel Plating

Terminal: Copper Alloy, Gold
Plated On Contact Area Tin
Plating On Solder Tail

* RoHS & REACH compliant.



Recommended P.C.Board Layout



ORDERING INFORMATION:

P/N M C D - 7 T 2 S C $\frac{01}{1} - \frac{x}{2}$

- 1..CONTACT FINISH:
"01" GOLD FLASH
- 2.PACKAGE OPTION:
"R" TAPE & REEL
"0" TRAY

SIM CARD 6 PIN CONNECTOR H=2.90MM

SPECIFICATIONS

Current Rating: 0.5 AMP Max

Dielectric Withstanding: 500VAC For 1 Minute

Contact Resistance: 30mΩ Max

Insulation R.: 1000MΩ Min

Operating Temperature: -40°C ~ +85°C

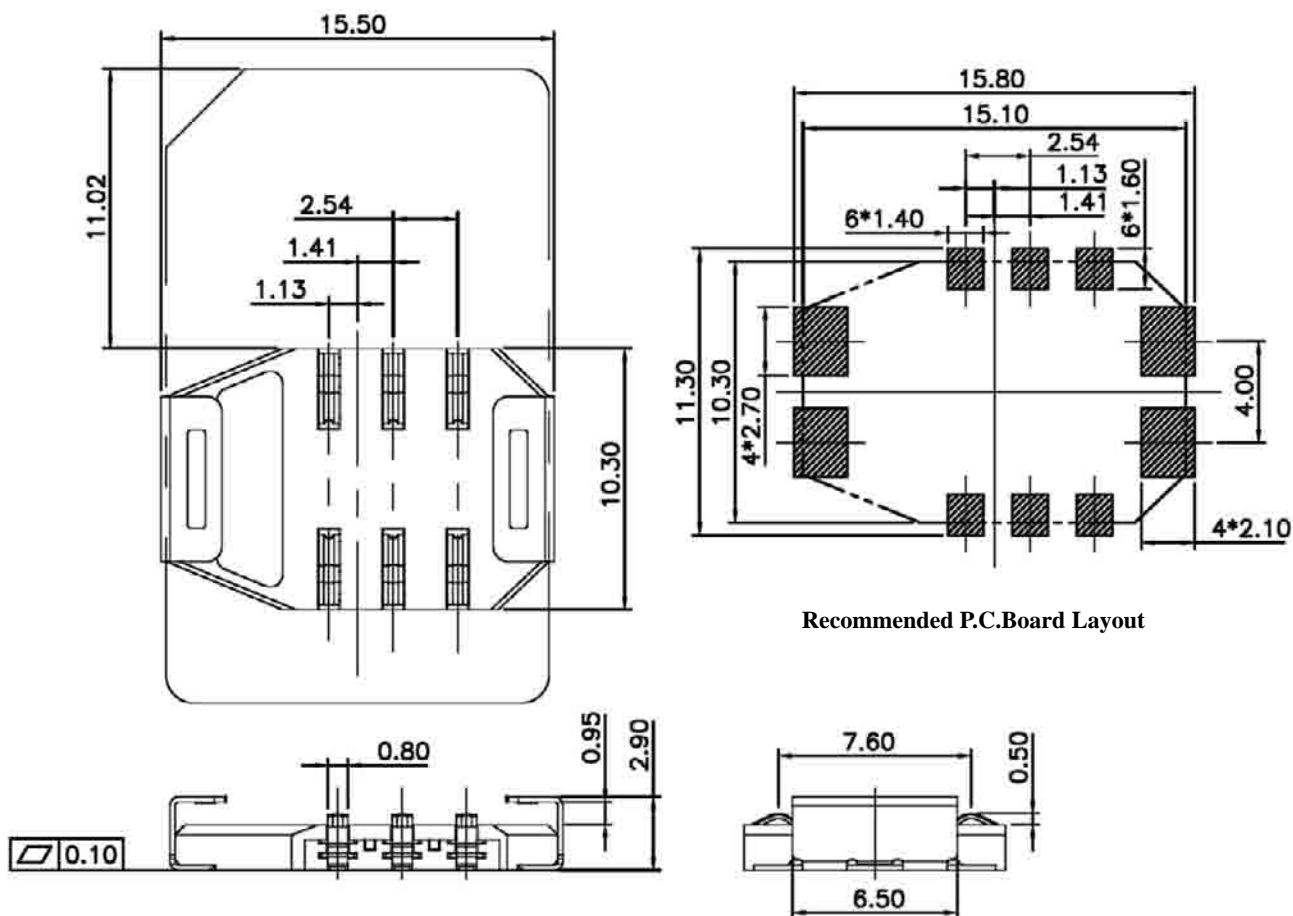
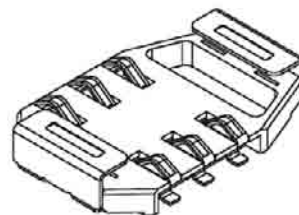
MATERIAL:

Housing: Hi-Temp, Plastic UL 94V-0

Shell: Stainless Steel, Nickel Plating

Terminal: Copper Alloy, Gold
Plated On Contact Area Tin
Plating On Solder Tail

* RoHS & REACH compliant.



Recommended P.C.Board Layout

ORDERING INFORMATION:

P/N M C D - 7 S 9 S C $\frac{01}{1} - \frac{x}{2}$

- 1..CONTACT FINISH:
"01" GOLD FLASH
- 2.PACKAGE OPTION:
"R" TAPE & REEL
"0" TRAY

SIM CARD 6 PIN CONNECTOR WITH POSTS H=2.90MM

SPECIFICATIONS

Current Rating: 0.5 AMP Max

Dielectric Withstanding: 500VAC For 1 Minute

Contact Resistance: 30mΩ Max

Insulation R.: 1000MΩ Min

Operating Temperature: -25°C ~ +85°C

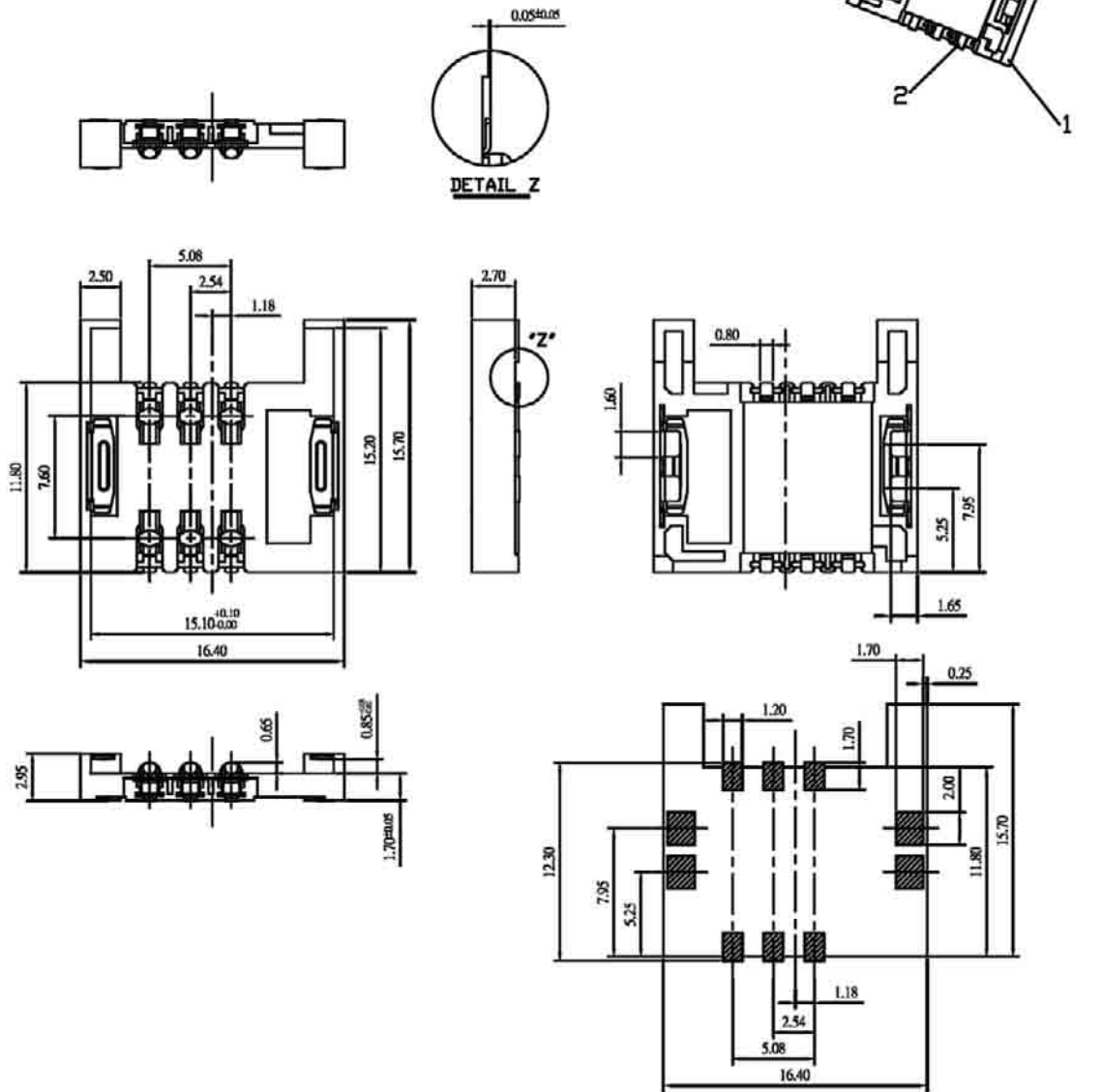
MATERIAL:

Housing: LCP, UL94V-0

Shell: Stainless Steel, Nickel Plating

Terminal: Under Plated 50u" Min, Nickel
Over All 80-120u" Tin Over All

* RoHS & REACH compliant.



Recommended P.C.Board Layout

ORDERING INFORMATION:

P/N M C D - 7 P 3 S C $\frac{0.3}{1} - \frac{x}{2}$

1.CONTACT FINISH:

"03" 03 MICROINCH GOLD

2.PACKAGE OPTION:

"R" TAPE & REEL

"0" TRAY

SIM CARD 6 PIN CONNECTOR WITH POSTS H=2.90MM

SPECIFICATIONS

Current Rating: 0.5 AMP Max

Dielectric Withstanding: 500VAC For 1 Minute

Contact Resistance: 30mΩ Max

Insulation R.: 1000MΩ Min

Operating Temperature: -25°C ~ +85°C

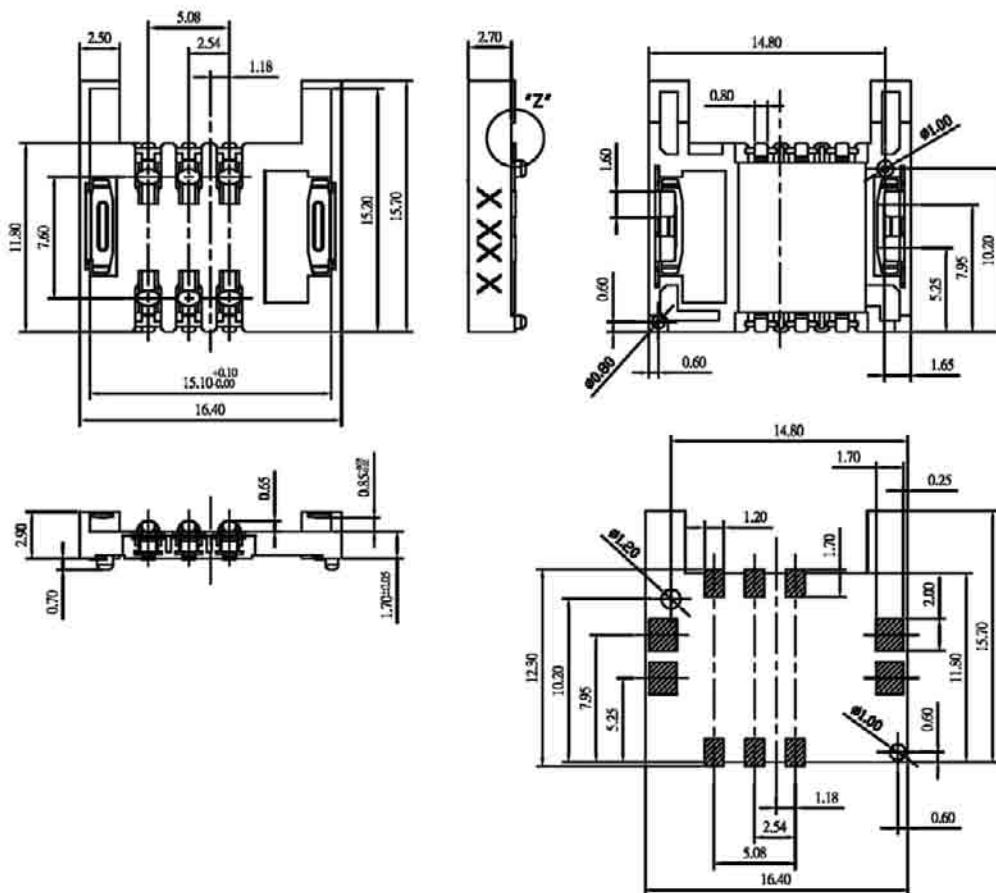
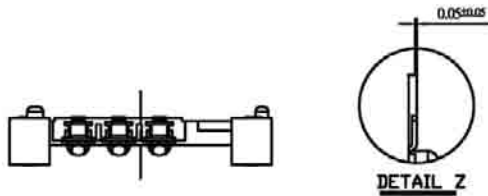
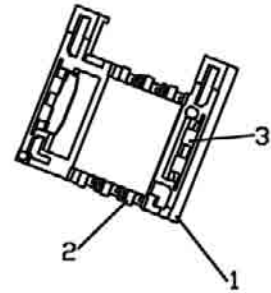
MATERIAL:

Housing: PA9T+40%G/F, Black

Shell: Stainless Steel, Nickel Plating

Terminal: Under Plated 50u" Min, Nickel
Over All 80-120u" Tin Over All

* RoHS & REACH compliant.



Recommended P.C.Board Layout

ORDERING INFORMATION:

P/N MCD-7P2SC $\frac{0.3}{1} - \frac{x}{2}$

1.CONTACT FINISH:

"03" 03 MICROINCH GOLD

2.PACKAGE OPTION:

"R" TAPE & REEL

"0" TRAY

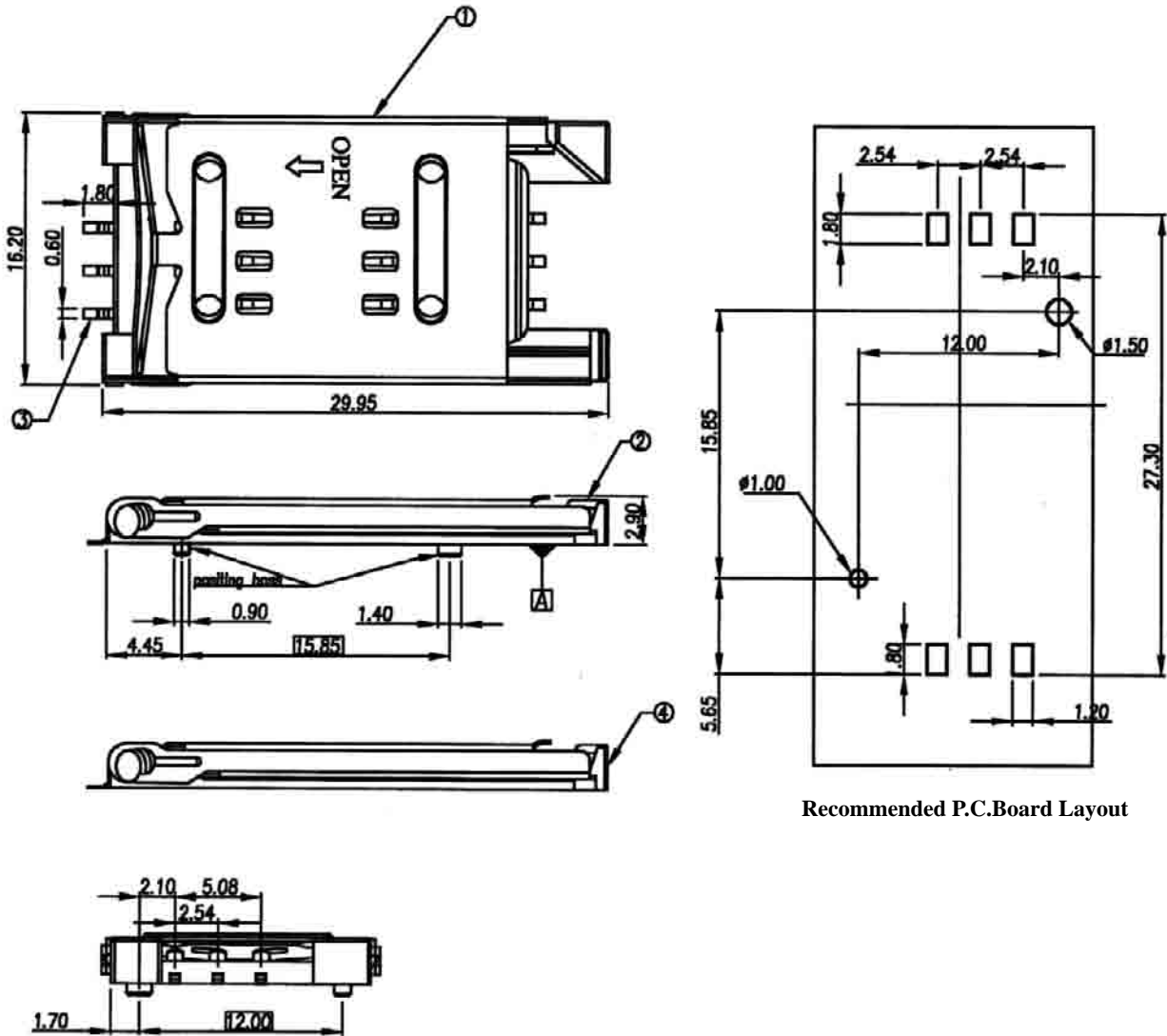
SIM CARD 6 PIN CONNECTOR WITH POSTS H=2.90MM

SPECIFICATION:

Withstanding Voltage: 500V AC R.M.S for 1 min.
 Insulation R.: 1000MΩ at 500V AC
 Current Rating: 0.5A
 Contact R.: 30mΩ Max.
 Operating Temperature: -25°C ~ +85°C
 Durability: 5000 Cycles
 * RoHS & REACH compliant.

MATERIAL:

Cover: Stainless Steel
 Housing Insert: LCP+30%G.F.
 Contact: Phosphor Bronze
 Housing Insert(no positing boss):
 LCP+30%G.F.



Recommended P.C.Board Layout

ORDERING INFORMATION:

P/N M C D - 7 K 4 S C $\frac{01}{1} - \frac{x}{2}$

1.CONTACT FINISH:

"01" GOLD FLASH
 "30" 30 MICROINCH GOLD

2.PACKAGE OPTION:

"T" TUBE
 "R" TAPE & REEL

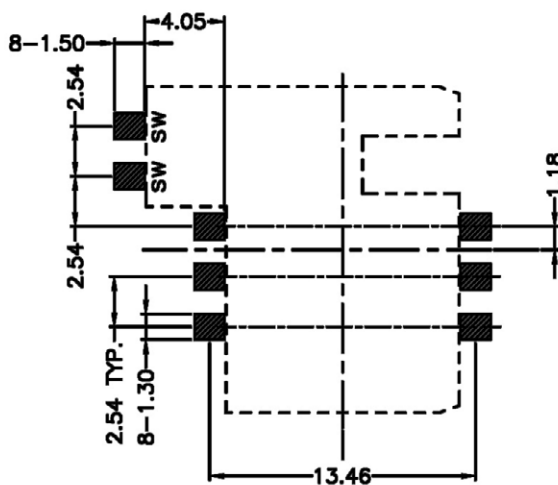
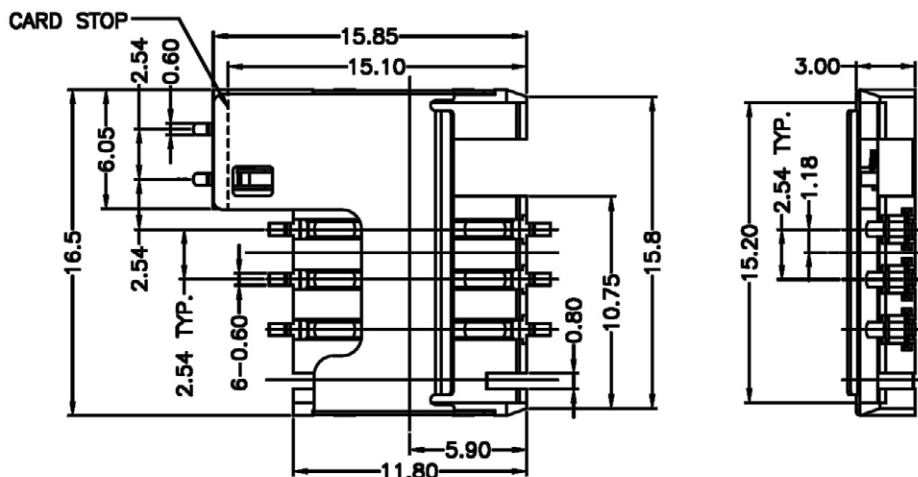
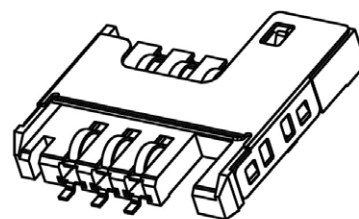
SIM CARD 6 PIN CONNECTOR WITH SWITCH H= 3.00MM

SPECIFICATIONS

Current Rating: 0.5 AMP Max
 Dielectric Withstanding: 500VAC For 1 Minute
 Contact Resistance: 30mΩ Max
 Insulation R.: 1000MΩ Min
 Operating Temperature: -25°C ~ +85°C

MATERIAL:

Housing: Hi-Temp, Plastic UL 94V-0
 Shell: Stainless Steel
 Terminal: Phosphor Bronze, Gold Plated
 * RoHS & REACH compliant.



Recommended P.C.Board Layout

ORDERING INFORMATION:

P/N M C D - 7 M 7 S C $\frac{x}{1}$ - $\frac{x}{2}$

- 1.CONTACT FINISH:
 "01" GOLD FLASH
 "15" 15 MICROINCH GOLD
 "30" 30 MICROINCH GOLD
- 2.PACKAGE TYPE:
 "R" TAPE & REEL

SIM CARD 6 PIN CONNECTOR WITH SWITCH H=3.00MM

SPECIFICATION:

Insulation R.: 1000MΩ at 500V DC

Contact R.: 50mΩ Max.

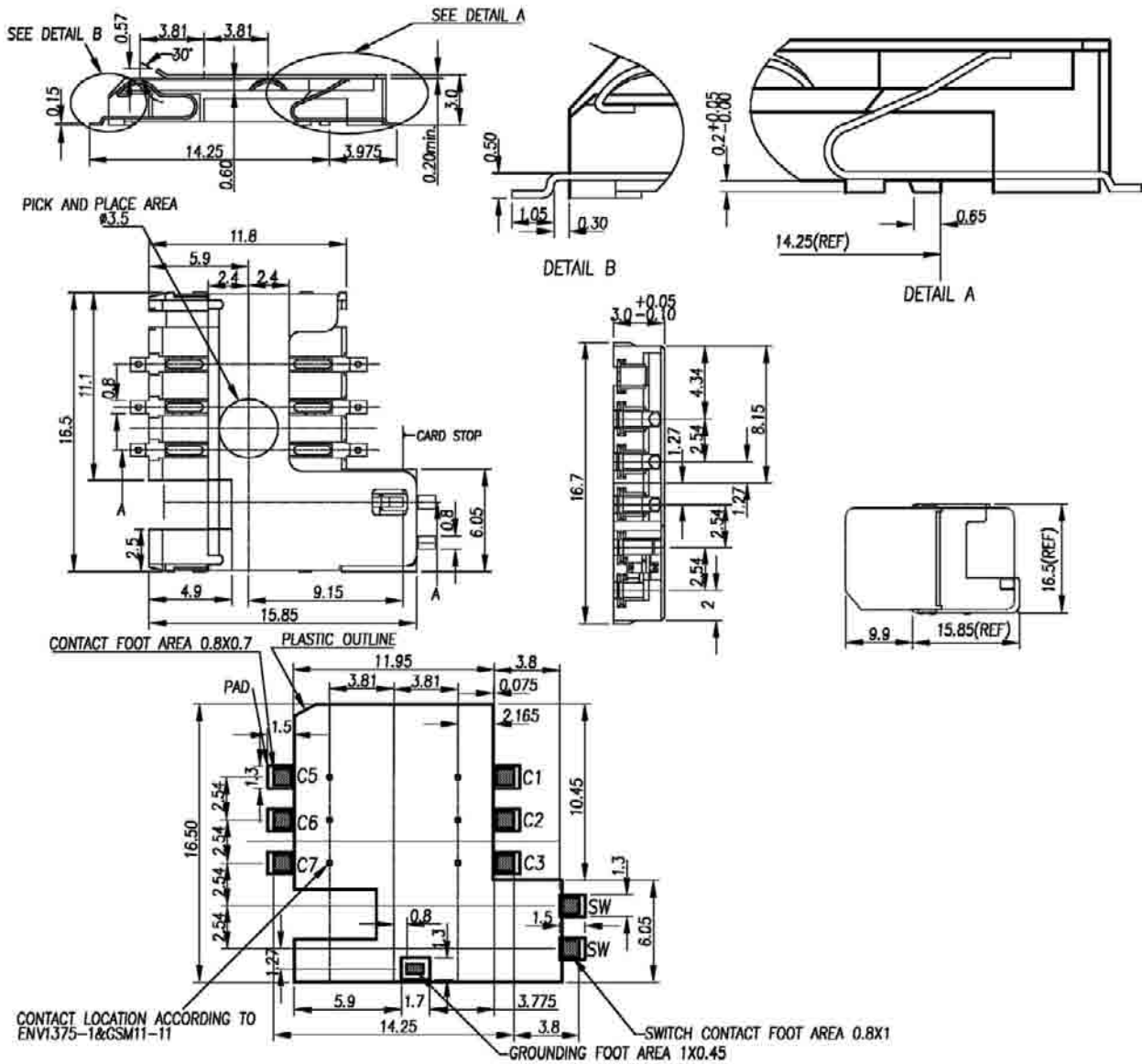
Operating Temperature: -40°C ~ +85°C

Durability: 10000 cycles

* RoHS & REACH compliant.

MATERIAL:

Insulator: Thermoplastic, UL94V-0



ORDERING INFORMATION:

P/N M C D - 7 K 2 S C $\frac{x}{1} - \frac{x}{2}$

1. CONTACT FINISH:
"01" GOLD FLASH
"30" 30 MICROINCH GOLD
2. PACKAGE OPTION:
"T" TUBE
"R" TAPE & REEL

SIM CARD 8 PIN CONNECTOR H=1.50MM

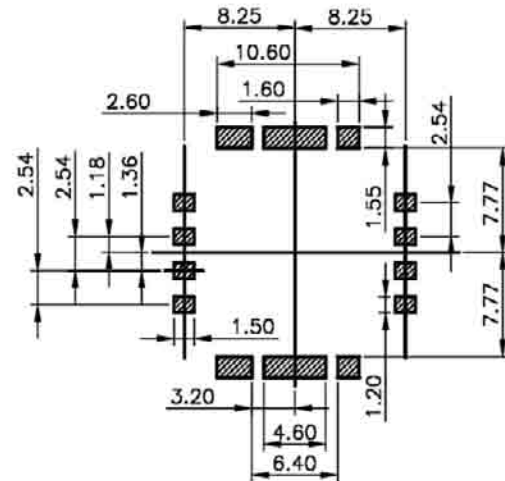
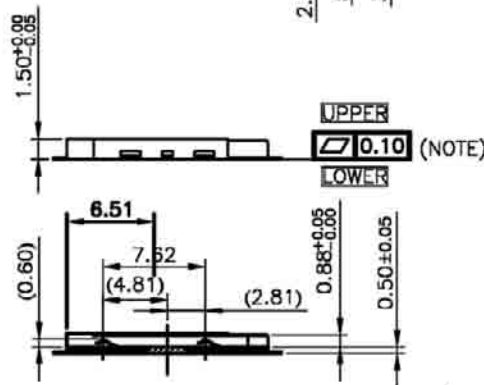
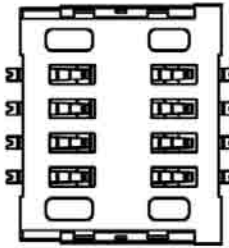
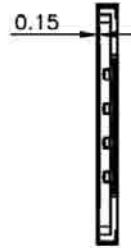
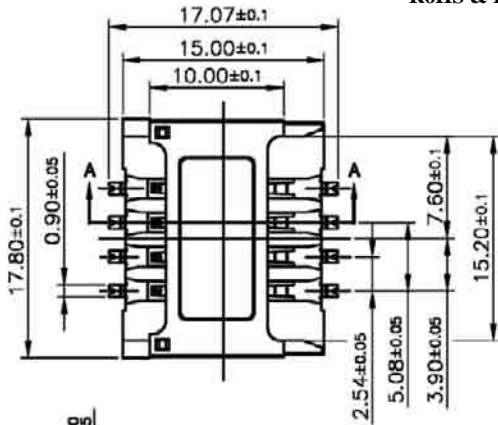
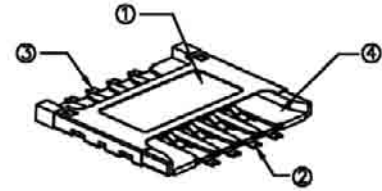
SPECIFICATIONS

Current Rating: 1A Max
 Dielectric Withstanding: 250VAC For 1 Minute
 Contact Resistance: 30mΩ Max
 Insulation R.: 1000MΩ Min
 Operating Temperature: -55°C ~ +105°C

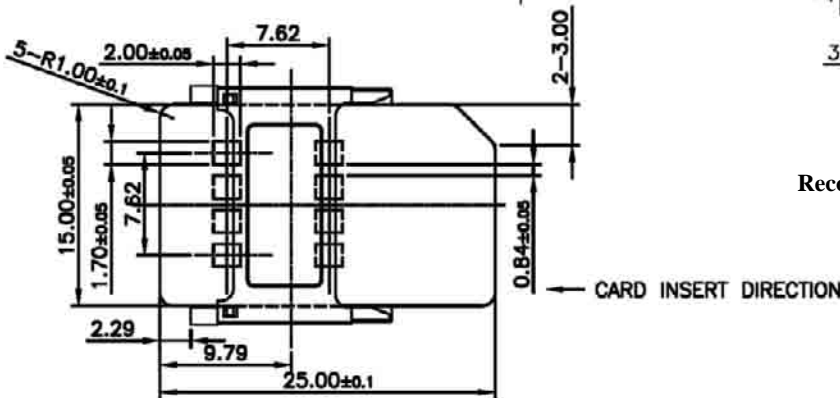
MATERIAL:

Housing: Hi-Temp, Plastic UL 94V-0
 Shell: Stainless Steel, Nickel Plating
 Terminal: Copper Alloy, Gold
 Plated On Contact Area Tin
 Plating On Solder Tail

* RoHS & REACH compliant.



Recommended P.C.Board Layout



ORDERING INFORMATION:

P/N M C D - 7 T 5 S C $\frac{01}{1} - \frac{x}{2}$

- 1..CONTACT FINISH:
"01" GOLD FLASH
- 2.PACKAGE OPTION:
"R" TAPE & REEL
"0" TRAY

SIM CARD 8 PIN CONNECTOR H=2.0/1.55/1.3MM

SPECIFICATION:

Withstanding Voltage: 500V AC R.M.S for 1 min.

Insulation R.: 1000MΩ at 500V AC

Current Rating: 0.5A

Contact R.: 50mΩ Max.

Operating Temperature: -40°C ~ +85°C

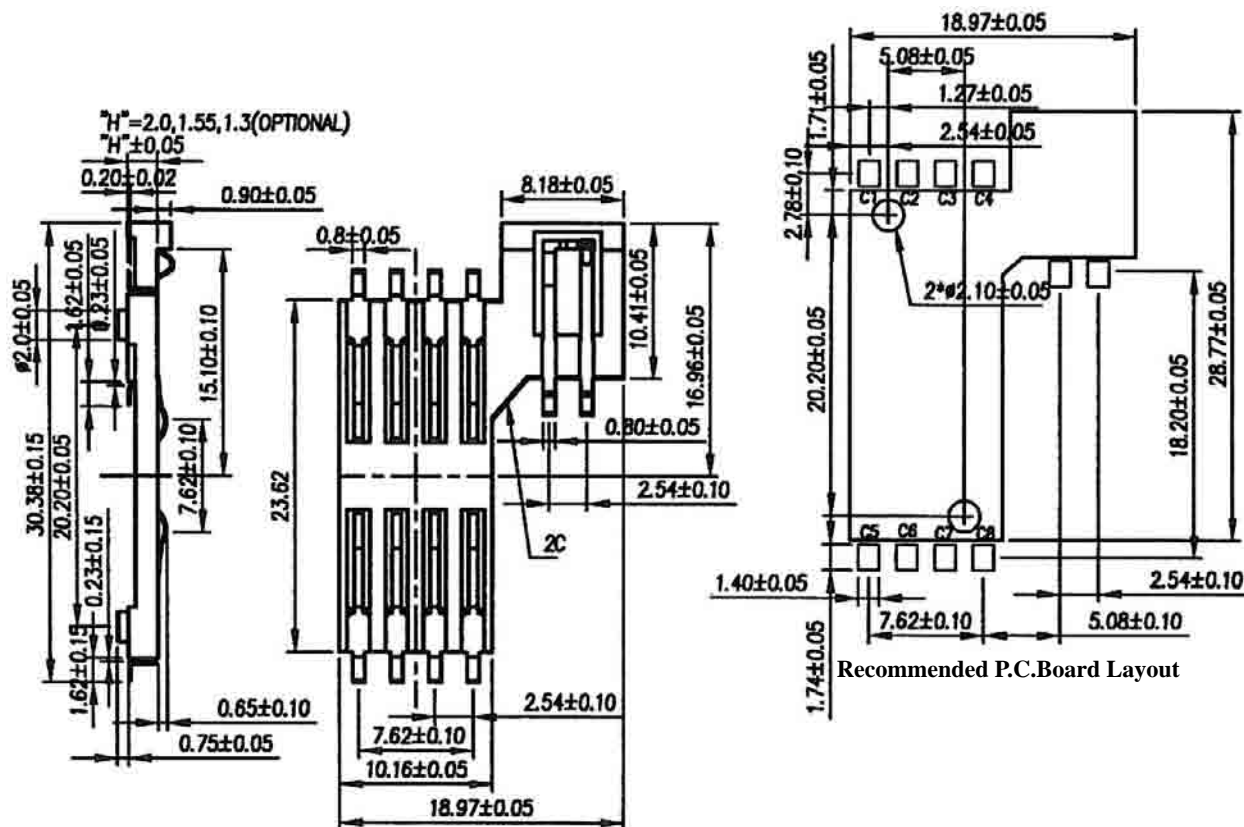
Durability: 5000 Cycles

* RoHS & REACH compliant.

MATERIAL:

Insulator: LCP

Contact: Phosphor Bronze



Recommended P.C.Board Layout

ORDERING INFORMATION:

P/N M C D - $\frac{X X X}{1}$ S C $\frac{X X}{2}$ - $\frac{X}{3}$

1. HEIGHT OPTION:

"7U6" H=2.00MM

"7U7" H=1.55MM

"7U8" H=1.30MM

2. CONTACT FINISH:

"01" GOLD FLASH

"30" 30 MICRINCH GOLD

3. PACKAGE OPTION:

"T" TUBE

"R" TAPE & REEL

SIM CARD 8 PIN CONNECTOR PUSH - PUSH TYPE H= 1.90MM

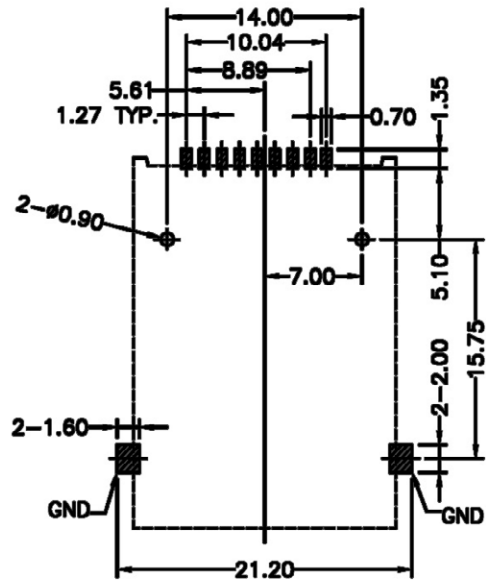
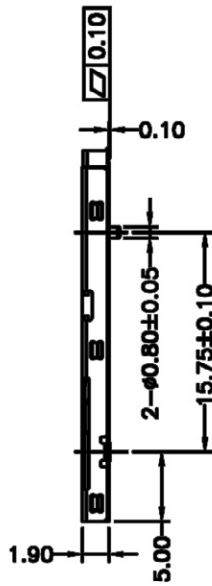
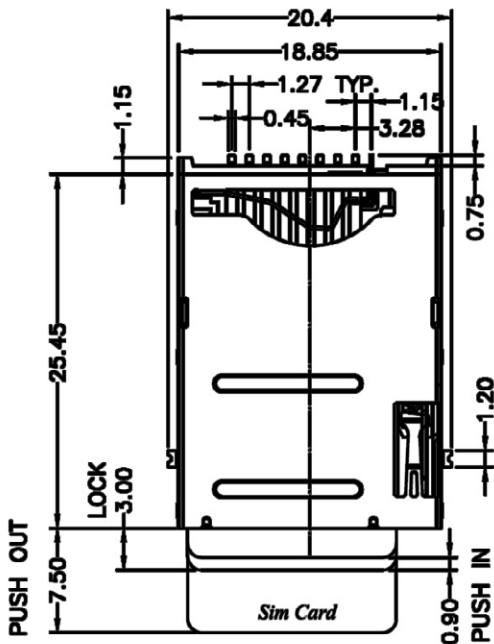
SPECIFICATIONS

Current Rating: 0.5 AMP Max
 Dielectric Withstanding: 500VAC For 1 Minute
 Contact Resistance: 30mΩ Max
 Insulation R.: 1000MΩ Min
 Operating Temperature: -25°C ~ +85°C

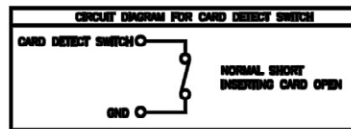
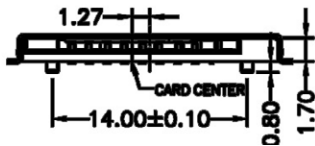
MATERIAL:

Housing: Hi-Temp, Plastic UL 94V-0
 Shell: Copper Alloy, Nickel Plating
 Terminal: Copper Alloy, Gold
 Plated On Contact Area Tin
 Plating On Solder Tail

* RoHS & REACH compliant.



Recommended P.C. Board Layout



ORDERING INFORMATION:

P/N M C D - 7 N 1 S C $\frac{x}{1} - \frac{x}{2}$

1. CONTACT FINISH:
 "01" GOLD FLASH
 "15" 15 MICROINCH GOLD
 "30" 30 MICROINCH GOLD
2. PACKAGE TYPE:
 "R" TAPE & REEL

SIM CARD 8 PIN CONNECTOR NORMAL MOUNT PUSH - PUSH TYPE H=1.95MM

SPECIFICATIONS

Current Rating: 0.5 AMP Max

Dielectric Withstanding: 500VAC For 1 Minute

Contact Resistance: 30mΩ Max

Insulation R.: 1000MΩ Min

Operating Temperature: -25°C ~ +85°C

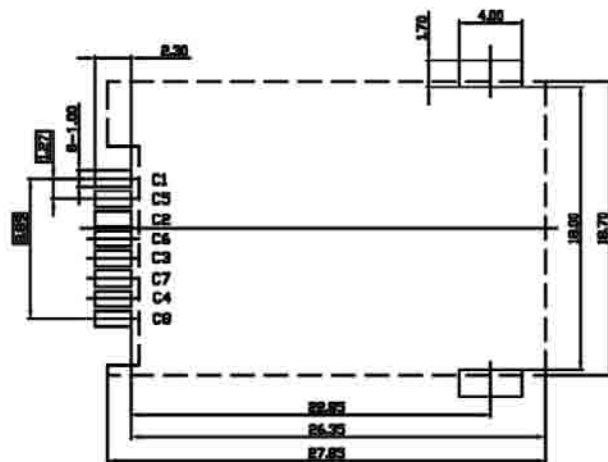
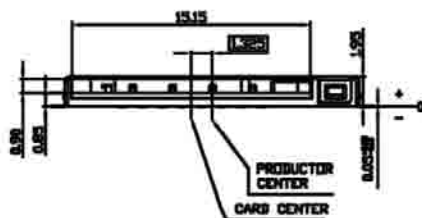
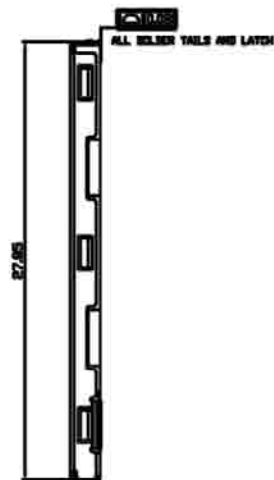
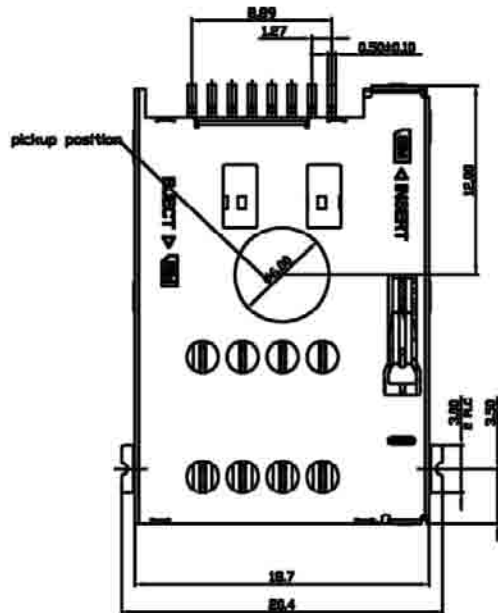
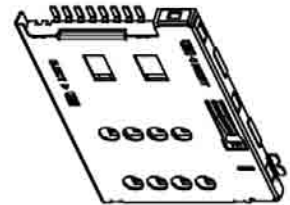
MATERIAL:

Housing: Hi-Temp, Plastic UL 94V-0

Shell: Stainless Steel, Nickel Plating

Terminal: Copper Alloy, Gold
Plated On Contact Area Tin
Plating On Solder Tail

* RoHS & REACH compliant.



Recommended P.C.Board Layout

ORDERING INFORMATION:

P/N MCD-7Q5SC $\frac{01}{1} - \frac{x}{2}$

- 1..CONTACT FINISH:
"01" GOLD FLASH
- 2.PACKAGE OPTION:
"R" TAPE & REEL
"0" TRAY

SIM CARD 8 PIN CONNECTOR NORMAL MOUNT PUSH - PUSH TYPE WITH SWITCH H=1.95MM

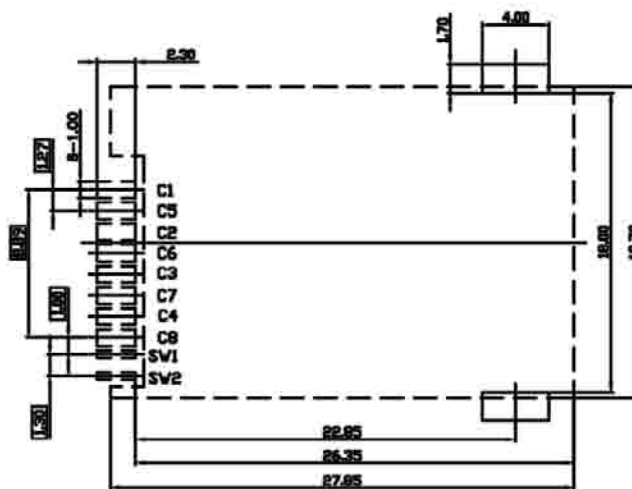
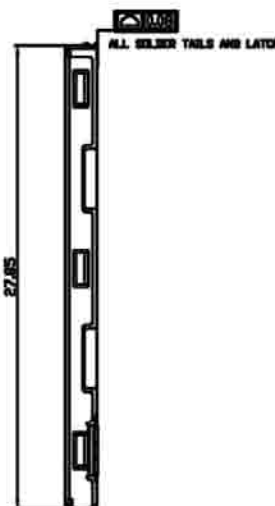
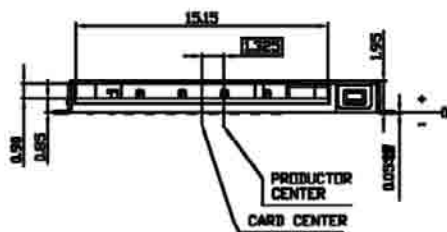
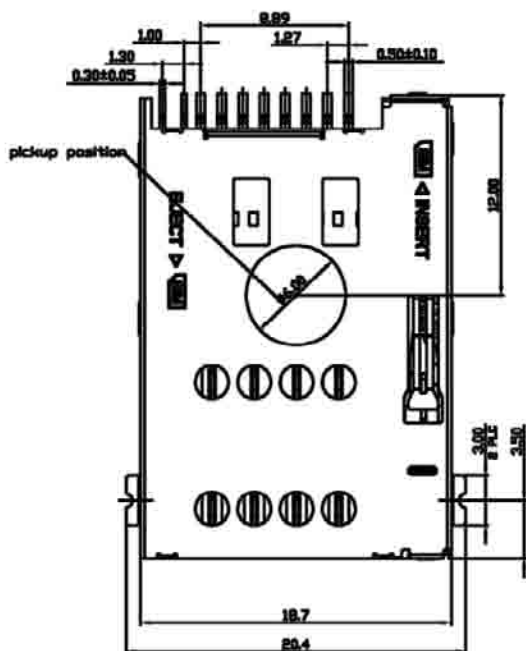
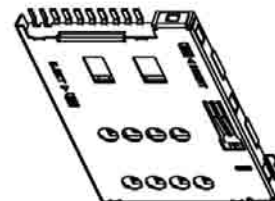
SPECIFICATIONS

Current Rating: 0.5 AMP Max
Dielectric Withstanding: 500VAC For 1 Minute
Contact Resistance: 30mΩ Max
Insulation R.: 1000MΩ Min
Operating Temperature: -25°C ~ +85°C

MATERIAL:

Housing: Hi-Temp, Plastic UL 94V-0
Shell: Stainless Steel, Nickel Plating
Terminal: Copper Alloy, Gold
 Plated On Contact Area Tin
 Plating On Solder Tail

* RoHS & REACH compliant.



Recommended P.C.Board Layout

ORDERING INFORMATION:

P/N M C D - 7 Q 4 S C $\frac{01}{1} - \frac{x}{2}$

- 1..CONTACT FINISH:
"01" GOLD FLASH
- 2.PACKAGE OPTION:
"R" TAPE & REEL
"0" TRAY

SIM CARD 8 PIN CONNECTOR REVERSE MOUNT PUSH - PUSH TYPE WITH SWITCH H=2.00MM

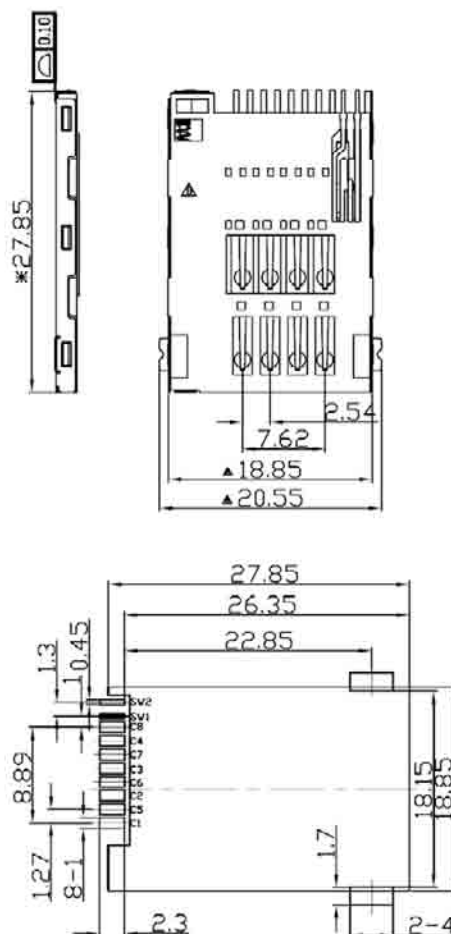
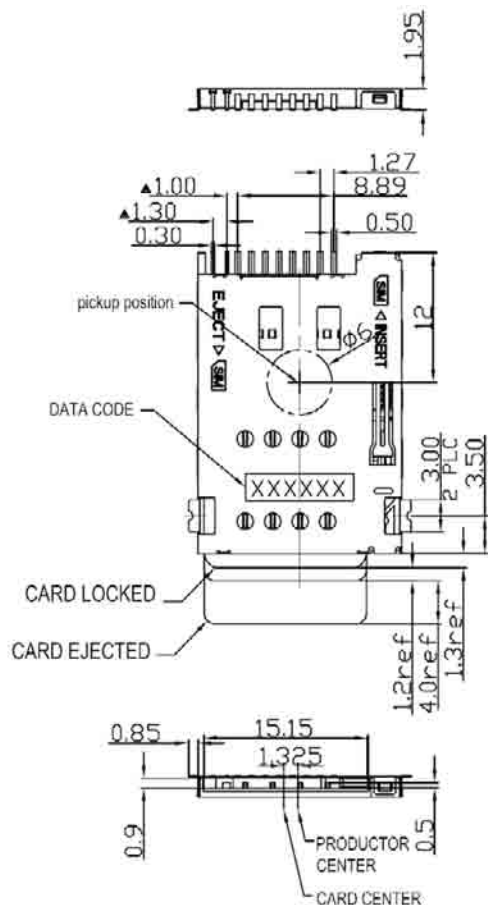
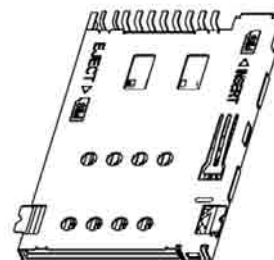
SPECIFICATIONS

Current Rating: 0.5 AMP Max
Dielectric Withstanding: 250VAC For 1 Minute
Contact Resistance: 30mΩ Max
Insulation R.: 500MΩ Min
Operating Temperature: -55°C ~ +85°C

MATERIAL:

Housing: Hi-Temp, Plastic UL 94V-0
Shell: Stainless Steel, Nickel Plating
Terminal: Copper Alloy, Gold
 Plated On Contact Area Tin
 Plating On Solder Tail

* RoHS & REACH compliant.



Recommended P.C.Board Layout

ORDERING INFORMATION:

P/N M C D - 7 Q 7 S C $\frac{15}{1} - \frac{x}{2}$

- 1..CONTACT FINISH:
"15" 15 MICROINCH GOLD
- 2.PACKAGE OPTION:
"R" TAPE & REEL
"0" TRAY

SIM CARD 8 PIN CONNECTOR REVERSE MOUNT PUSH - PUSH TYPE WITH SWITCH H=2.00MM

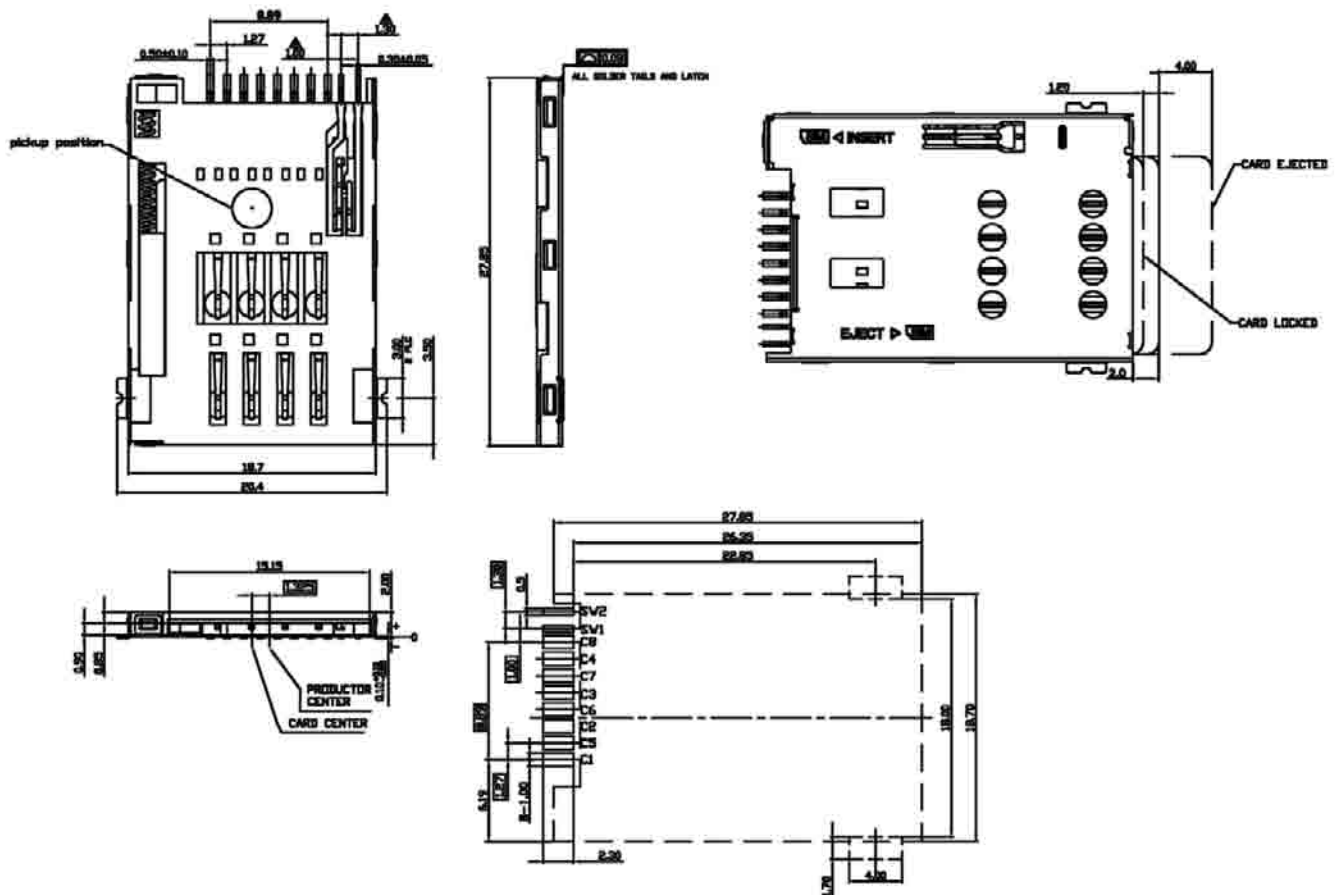
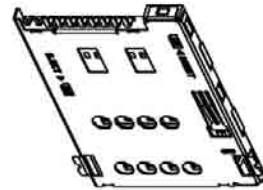
SPECIFICATIONS

Current Rating: 0.5 AMP Max
Dielectric Withstanding: 500VAC For 1 Minute
Contact Resistance: 30mΩ Max
Insulation R.: 1000MΩ Min
Operating Temperature: -25°C ~ +85°C

MATERIAL:

Housing: LCP+30%G/F UL 94V-0
Shell: Stainless Steel, Nickel Plating
Terminal: Copper Alloy, Gold
 Plated On Contact Area Tin
 Plating On Solder Tail

* RoHS & REACH compliant.



Recommended P.C.Board Layout

ORDERING INFORMATION:

P/N MCD-7Q6SC $\frac{01}{1} - \frac{x}{2}$

- 1..CONTACT FINISH:
"01" GOLD FLASH
- 2.PACKAGE OPTION:
"R" TAPE & REEL
"0" TRAY

SIM CARD 8 PIN CONNECTOR H=2.10MM & L=16.40MM

SPECIFICATIONS

Current Rating: 10mA

Dielectric Withstanding: 530VAC For 1 Minute

Contact Resistance: 100mΩ Max

Insulation R.: 100MΩ Min

Operating Temperature: -40°C ~ +80°C

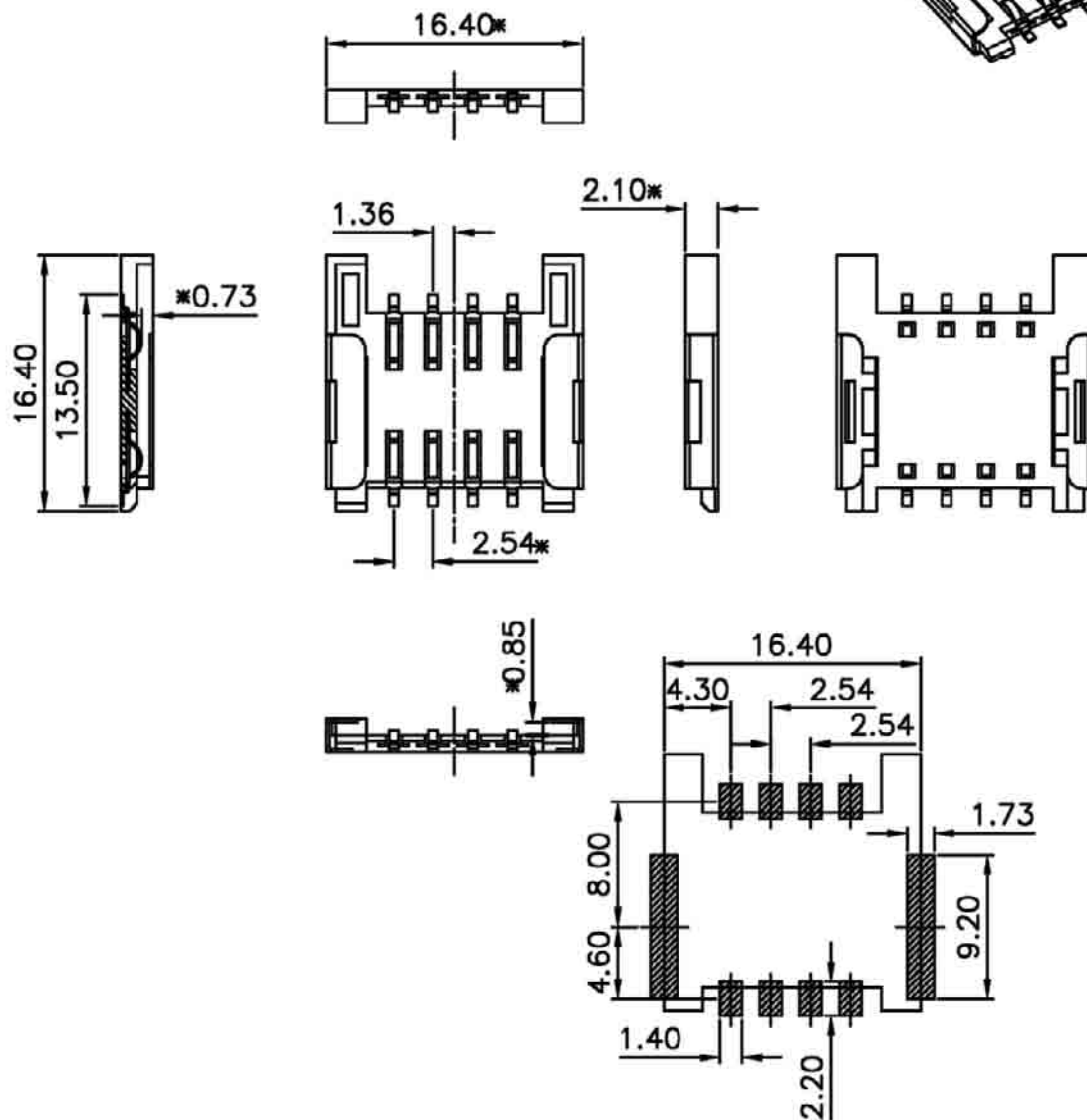
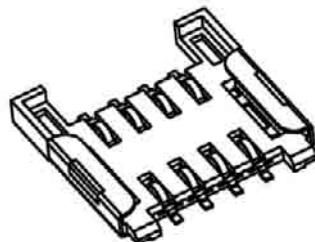
MATERIAL:

Housing: LCP

Shell: Stainless Steel, Nickel Plating

Terminal: Copper Alloy, Gold
Plated On Contact Area Tin
Plating On Solder Tail

* RoHS & REACH compliant.



Recommended P.C.Board Layout

ORDERING INFORMATION:

P/N M C D - 7 S 4 S C $\frac{x}{1} - \frac{x}{2}$

1..CONTACT FINISH:

"01" GOLD FLASH

"03" 3 MICROINCH GOLD

"15" 15 MICROINCH GOLD

"30" 30 MICROINCH GOLD

2.PACKAGE OPTION:

"R" TAPE & REEL

"0" TRAY

SIM CARD 8 PIN CONNECTOR H=2.10MM & L=21.75MM

SPECIFICATIONS

Current Rating: 10mA

Dielectric Withstanding: 530VAC For 1 Minute

Contact Resistance: 100mΩ Max

Insulation R.: 100MΩ Min

Operating Temperature: -40°C ~ +80°C

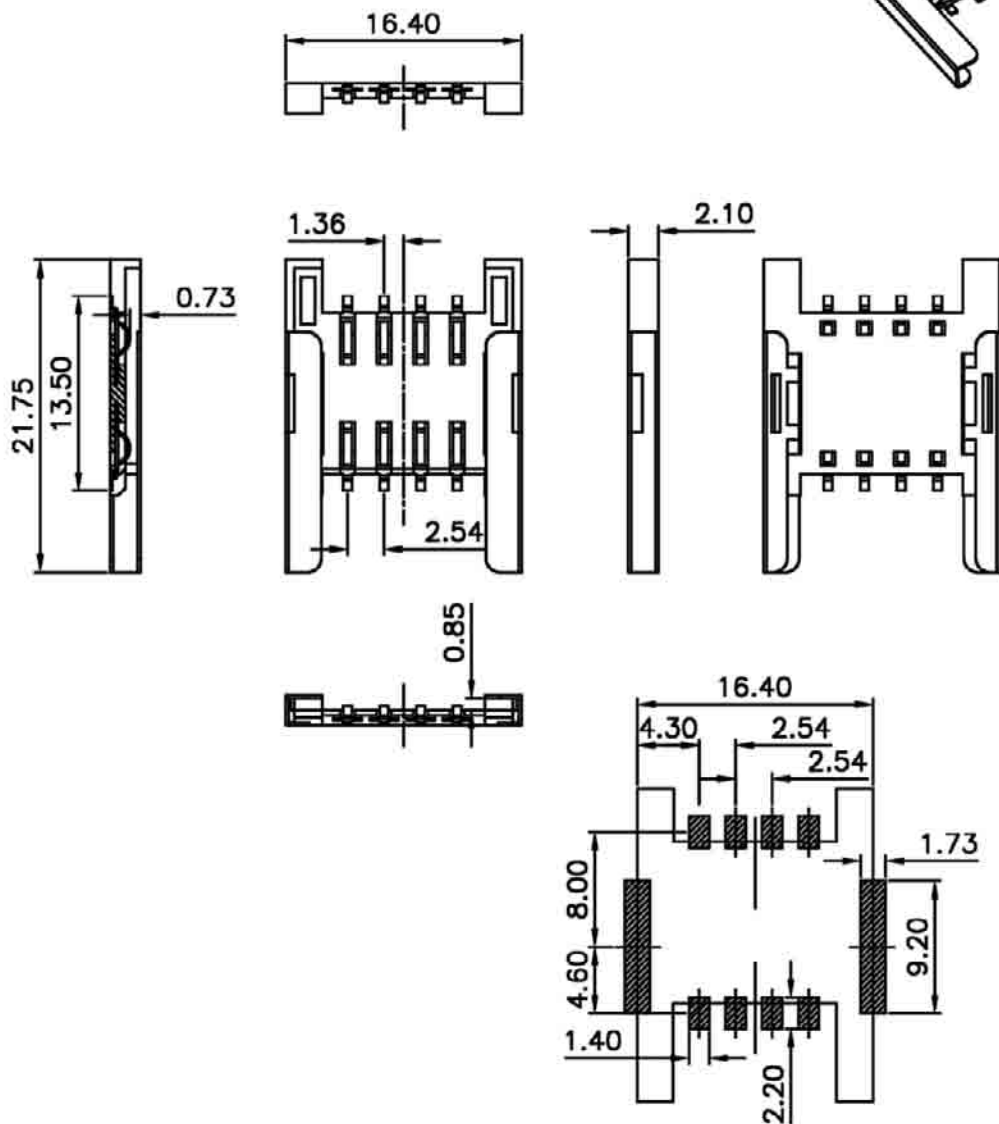
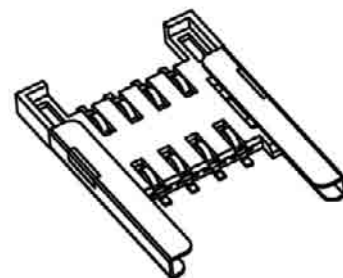
MATERIAL:

Housing: LCP

Shell: Stainless Steel, Nickel Plating

Terminal: Copper Alloy, Gold
Plated On Contact Area Tin
Plating On Solder Tail

* RoHS & REACH compliant.



Recommended P.C.Board Layout

ORDERING INFORMATION:

P/N M C D - 7 S 5 S C $\frac{x}{1}$ - $\frac{x}{2}$

1..CONTACT FINISH:

"01" GOLD FLASH

"03" 3 MICROINCH GOLD

"15" 15 MICROINCH GOLD

"30" 30 MICROINCH GOLD

2.PACKAGE OPTION:

"R" TAPE & REEL

"0" TRAY

SIM CARD 8 PIN CONNECTOR H=2.10MM & L=24.65MM

SPECIFICATIONS

Current Rating: 10mA

Dielectric Withstanding: 530VAC For 1 Minute

Contact Resistance: 100mΩ Max

Insulation R.: 100MΩ Min

Operating Temperature: -40°C ~ +80°C

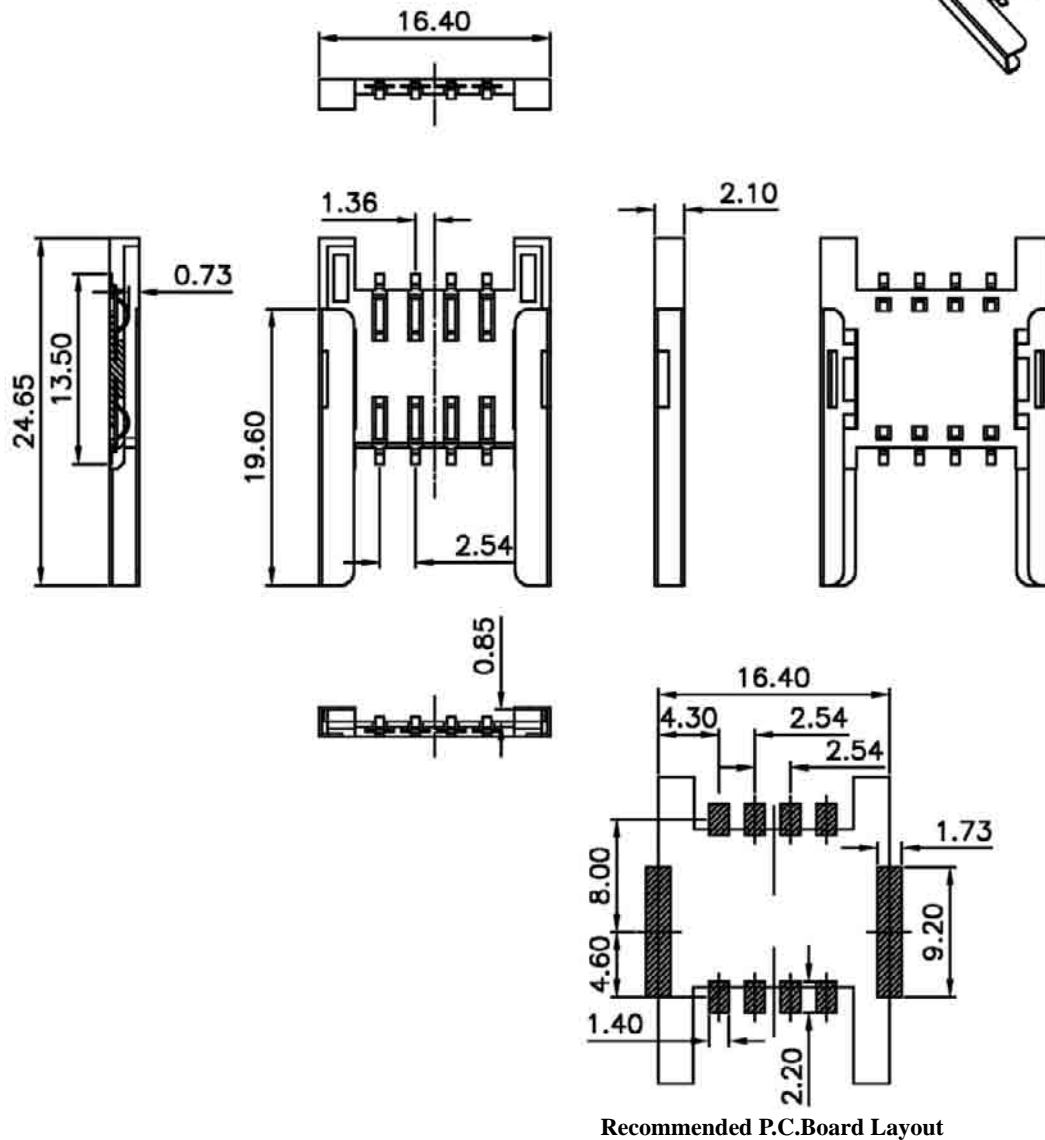
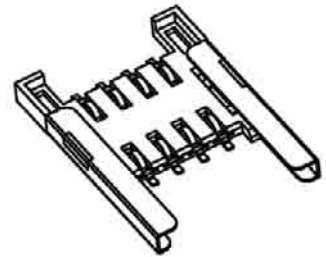
MATERIAL:

Housing: LCP

Shell: Stainless Steel, Nickel Plating

Terminal: Copper Alloy, Gold
Plated On Contact Area Tin
Plating On Solder Tail

* RoHS & REACH compliant.



ORDERING INFORMATION:

P/N M C D - 7 S 6 S C $\frac{x}{1} - \frac{x}{2}$

1..CONTACT FINISH:

"01" GOLD FLASH

"03" 3 MICROINCH GOLD

"15" 15 MICROINCH GOLD

"30" 30 MICROINCH GOLD

2.PACKAGE OPTION:

"R" TAPE & REEL

"0" TRAY

SIM CARD 6 & 8 PIN CONNECTOR WITH POSTS H=2.30MM

SPECIFICATION:

Withstanding Voltage: 250V AC/DC

Insulation R.: 500MΩ

Current Rating: 0.5A AC/DC

Contact R.: 30mΩ Max.

Operating Temperature: -55°C ~ +85°C

Insertion Cycles: 5000 Cycles

* RoHS & REACH compliant.

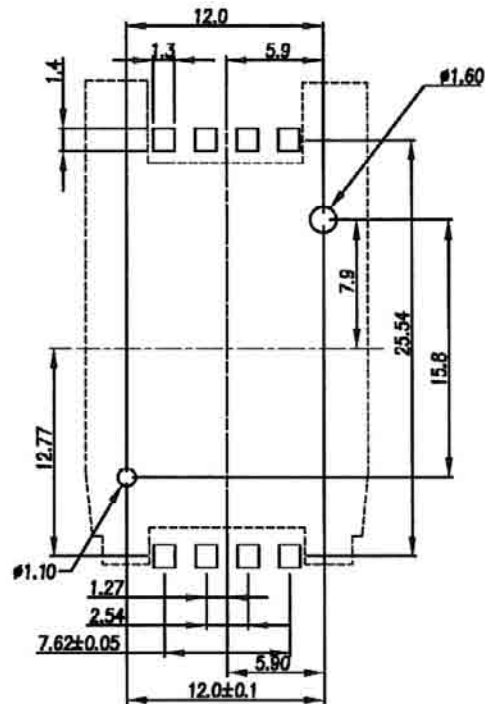
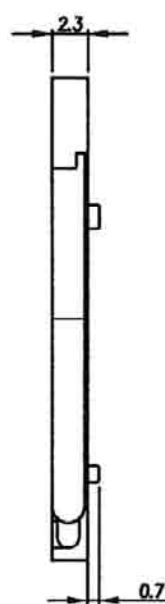
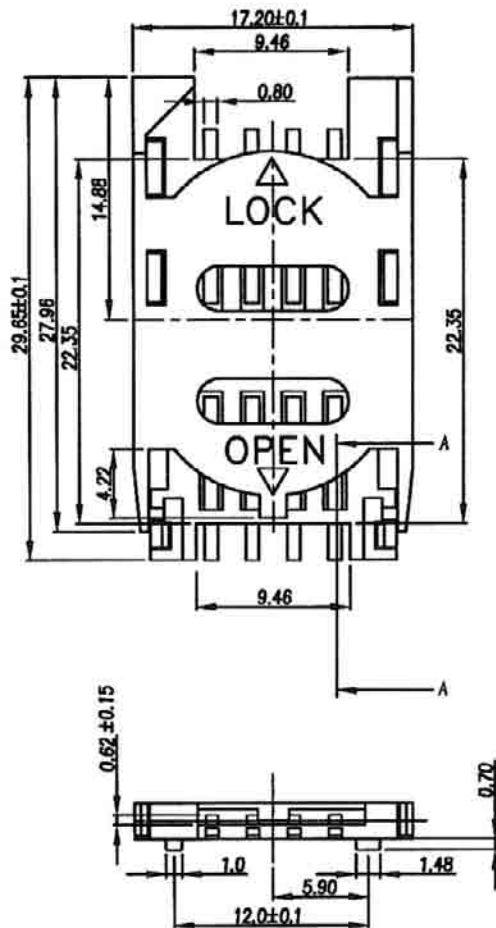
MATERIAL:

Housing: LCP

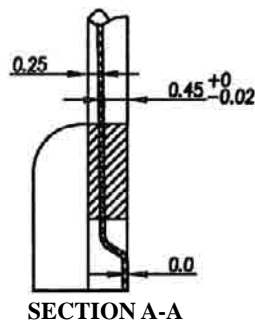
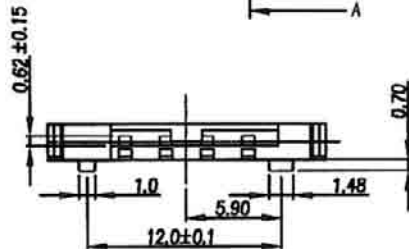
Contact: Phosphor Bronze

Plating: Tin Plated 50u"

Gold Plated 30u"



Recommended P.C. Board Layout



SECTION A-A

ORDERING INFORMATION:

P/N M C D - $\frac{X X X}{1}$ S C $\frac{X X}{2}$ - $\frac{X}{3}$

1. NO. OF CONTACTS:

"7K8" 6 PIN CONNECTOR

"7K9" 8 PIN CONNECTOR

2. CONTACT FINISH:

"01" GOLD FLASH

"30" 30 MICROINCH GOLD

3. PACKAGE OPTION:

"T" TUBE

"R" TAPE & REEL

SIM CARD 8 PIN CONNECTOR HINGE TYPE H=2.30MM

SPECIFICATION:

Withstanding Voltage: 500V AC R.M.S for 1 min.

Insulation R.: 1000MΩ at 500V AC

Current Rating: 0.5A

Contact R.: 30mΩ Max.

Operating Temperature: -25°C ~ +85°C

Durability: 5000 Cycles

* RoHS & REACH compliant.

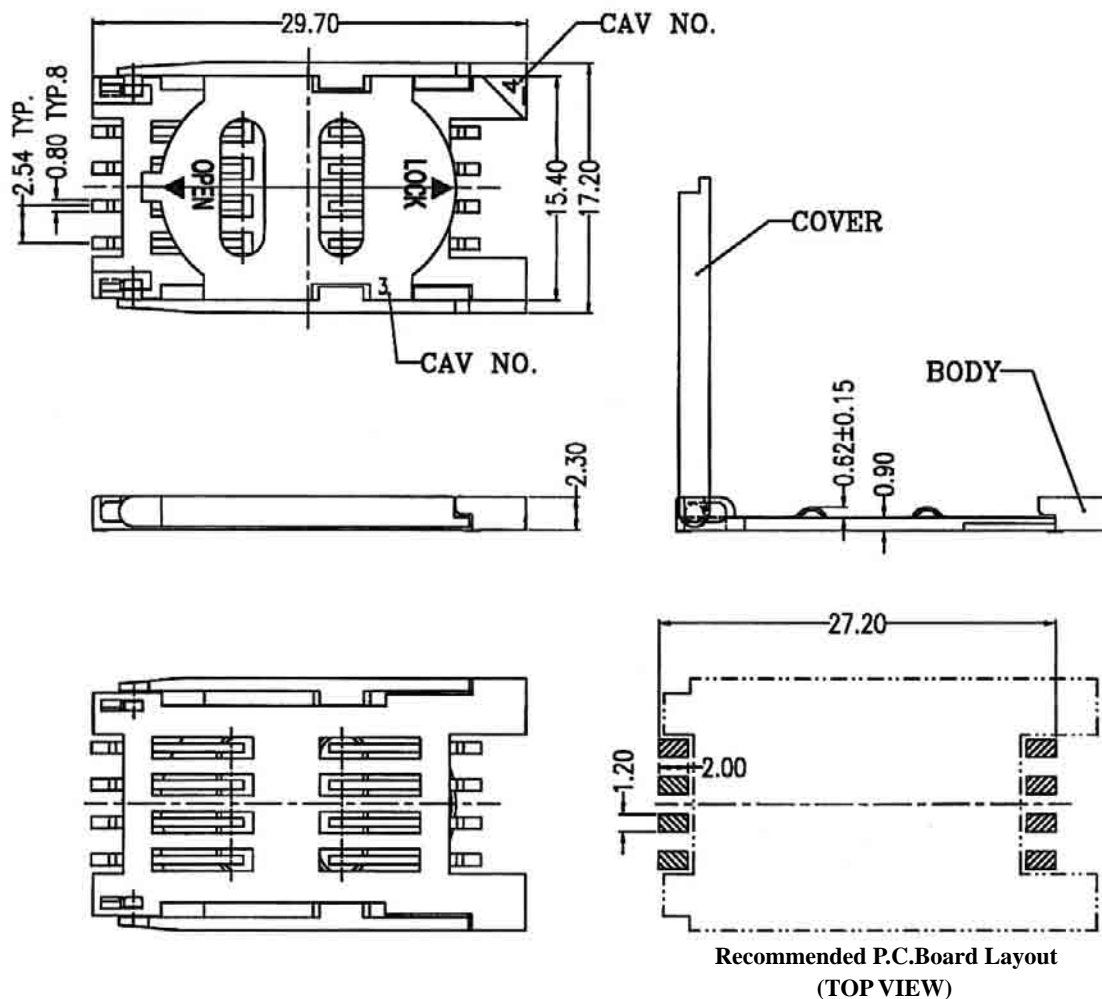
MATERIAL:

Body: PPS(UL94V-0), **Color:** Black

Cover: LCP(UL94V-0), **Color:** Black

Contact: Phosphor Bronze

Contact Plating: Gold plating over Nickel
on Contact area, Tin
plating on Solder Tail



ORDERING INFORMATION:

P/N MCD-729SC $\frac{X}{1} - \frac{X}{2}$

1. CONTACT FINISH:

"01" GOLD FLASH

"15" 15 MICROINCH GOLD

"30" 30 MICROINCH GOLD

2. PACKAGE OPTION:

"0" BULK PACK

"T" TUBE

"R" TAPE & REEL

SIM CARD 8 PIN CONNECTOR HINGE TYPE WITH POSTS H=2.30MM

SPECIFICATION:

Withstanding Voltage: 500V AC R.M.S for 1 min.

Insulation R.: 1000MΩ at 500V AC

Current Rating: 0.5A

Contact R.: 30mΩ Max.

Operating Temperature: -25°C ~ +85°C

Processing Temp: 230°C for 30-60 Seconds Max.

Durability: 5000 Cycles

* RoHS & REACH compliant.

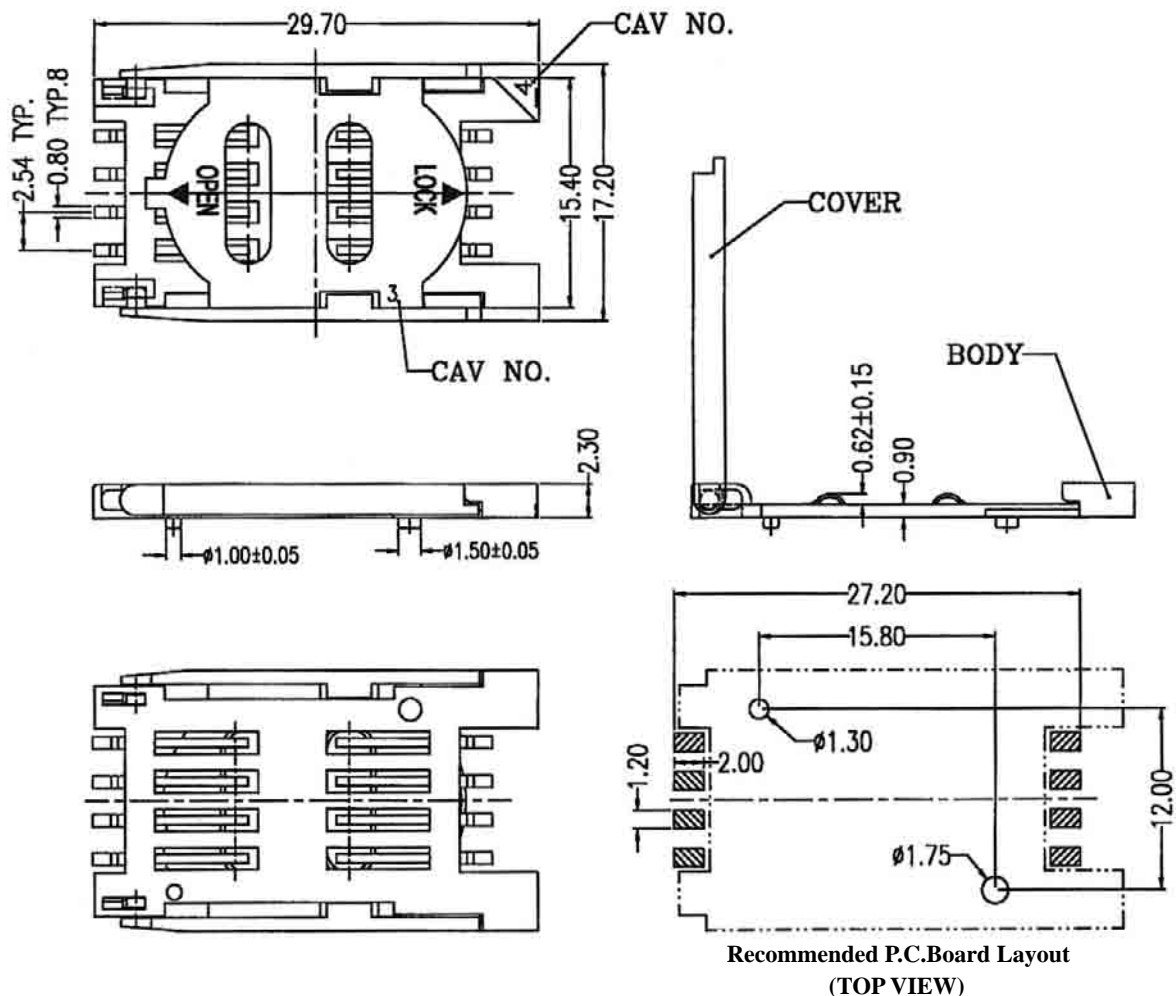
MATERIAL:

Body: PPS(UL94V-0), Color: Black

Cover: LCP(UL94V-0), Color: Black

Contact: Phosphor Bronze

Contact Plating: Gold plating over Nickel
on Contact area, Tin
plating on Solder Tail



ORDERING INFORMATION:

P/N M C D - 7 2 7 S C $\frac{x}{1} - \frac{x}{2}$

1. CONTACT FINISH:

"01" GOLD FLASH

"15" 15 MICROINCH GOLD

"30" 30 MICROINCH GOLD

2. PACKAGE OPTION:

"0" BULK PACK

"T" TUBE

"R" TAPE & REEL

SIM CARD 8 PIN CONNECTOR HINGE TYPE H= 2.40MM

SPECIFICATIONS

Current Rating: 0.5 AMP Max

Dielectric Withstanding: 500VAC For 1 Minute

Contact Resistance: 30mΩ Max

Insulation R.: 1000MΩ Min

Operating Temperature: -25°C ~ +85°C

MATERIAL:

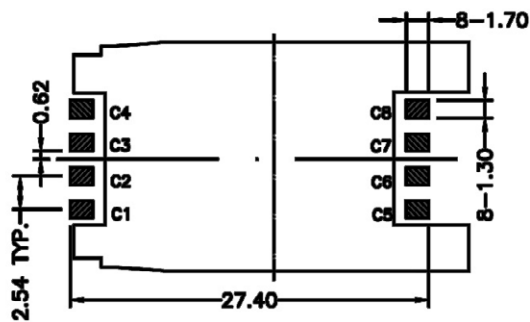
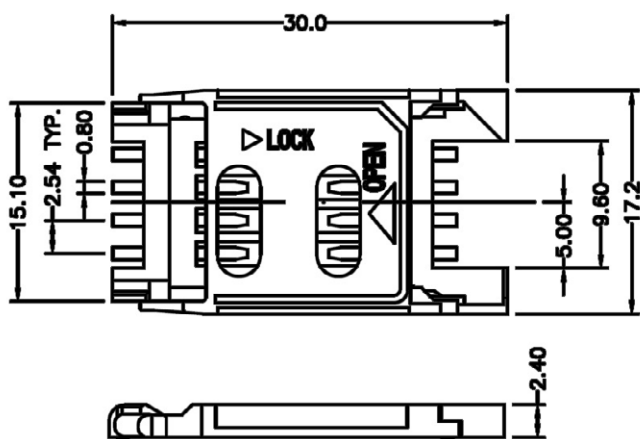
Housing: Hi-Temp, Plastic UL 94V-0

Terminal: Phosphor Bronze, Gold

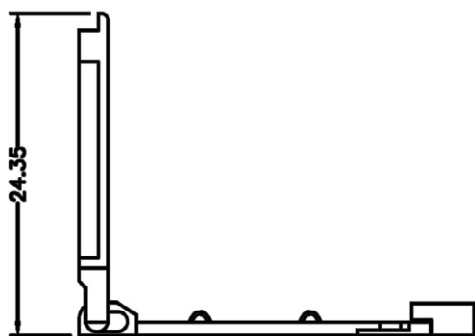
Plated On Contact Area Tin

Plating On Solder Tail

* RoHS & REACH compliant.



Recommended P.C.Board Layout



ORDERING INFORMATION:

P/N M C D - 7 M 9 S C $\frac{x}{1} - \frac{x}{2}$

1.CONTACT FINISH:

"01" GOLD FLASH

"15" 15 MICROINCH GOLD

"30" 30 MICROINCH GOLD

2.PACKAGE TYPE:

"T" TUBE

SIM CARD 8 PIN CONNECTOR WITH SWITCH H= 2.40MM & 2.60MM

SPECIFICATIONS

Current Rating: 0.5 AMP Max

Dielectric Withstanding: 500VAC For 1 Minute

Contact Resistance: 30mΩ Max

Insulation R.: 1000MΩ Min

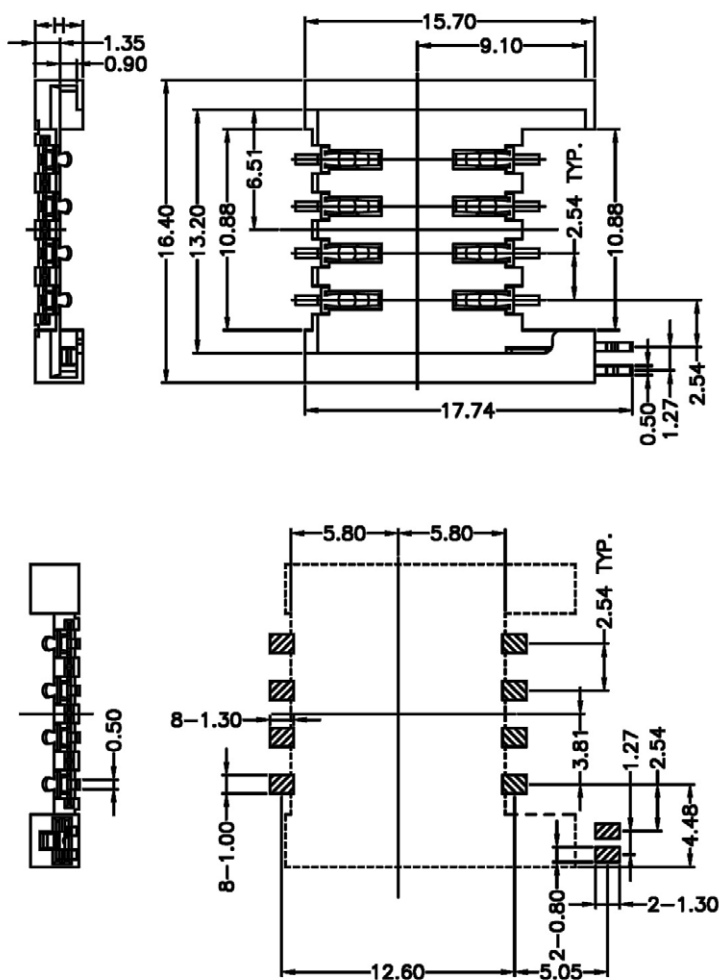
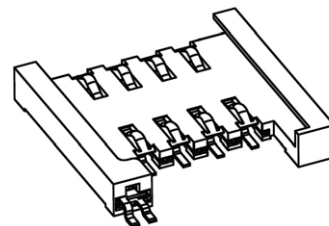
Operating Temperature: -25°C ~ +85°C

MATERIAL:

Housing: Hi-Temp, Plastic UL 94V-0

Terminal: Phosphor Bronze, Gold Plated

* RoHS & REACH compliant.



Recommended P.C.Board Layout

ORDERING INFORMATION:

P/N M C D - $\frac{1}{\text{XXX}}$ S C $\frac{2}{\text{XX}}$ - $\frac{3}{\text{X}}$

1. HEIGHT OPTION:

"7M1" H=2.40MM

"7M2" H=2.60MM

2. CONTACT FINISH:

"01" GOLD FLASH

"15" 15 MICROINCH GOLD

"30" 30 MICROINCH GOLD

3. PACKAGE TYPE:

"T" TUBE

SIM CARD 8 PIN CONNECTOR HINGE TYPE H= 2.50MM

SPECIFICATIONS

Current Rating: 0.5 AMP Max

Dielectric Withstanding: 500VAC For 1 Minute

Contact Resistance: 30mΩ Max

Insulation R.: 1000MΩ Min

Operating Temperature: -25°C ~ +85°C

MATERIAL:

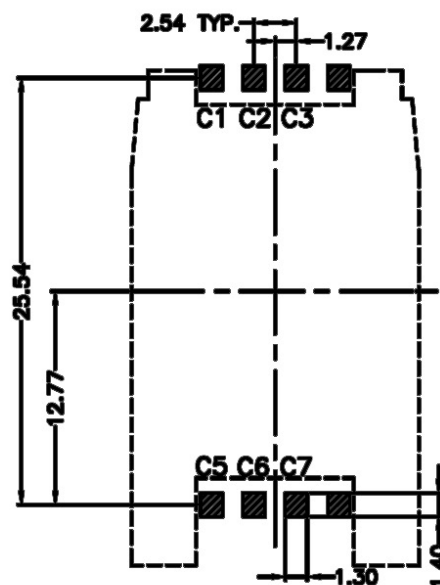
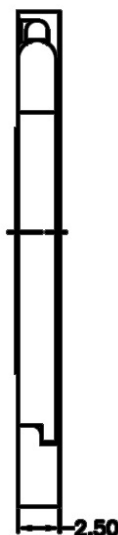
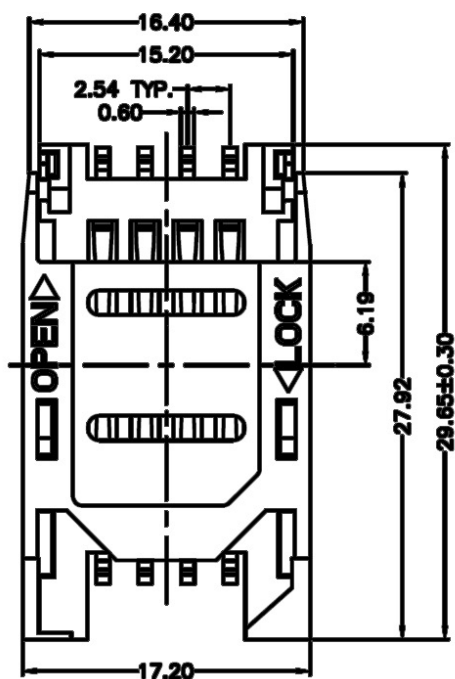
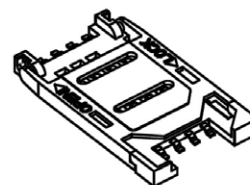
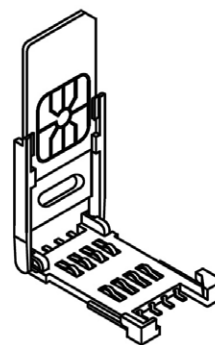
Housing: Hi-Temp, Plastic UL 94V-0

Terminal: Phosphor Bronze, Gold

Plated On Contact Area Tin

Plating On Solder Tail

* RoHS & REACH compliant.



ORDERING INFORMATION:

P/N M C D - 7 L 7 S C $\frac{x}{1}$ - $\frac{x}{2}$

1.CONTACT FINISH:

"01" GOLD FLASH

"15" 15 MICROINCH GOLD

"30" 30 MICROINCH GOLD

2.PACKAGE TYPE:

"0" TRAY

"R" TAPE & REEL

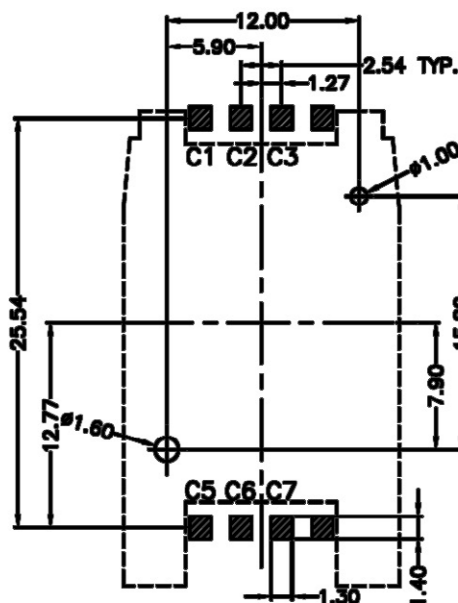
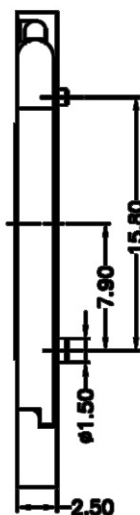
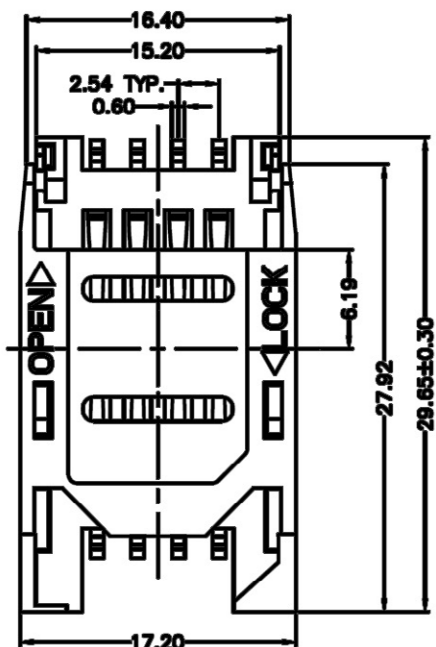
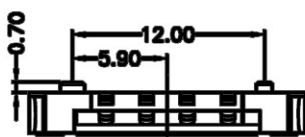
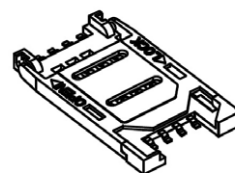
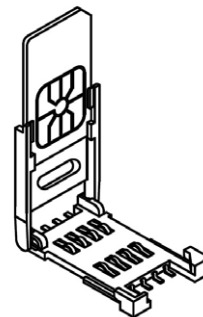
SIM CARD 8 PIN CONNECTOR HINGE TYPE WITH POSTS H= 2.50MM

SPECIFICATIONS

Current Rating: 0.5 AMP Max
 Dielectric Withstanding: 500VAC For 1 Minute
 Contact Resistance: 30mΩ Max
 Insulation R.: 1000MΩ Min
 Operating Temperature: -25°C ~ +85°C

MATERIAL:

Housing: Hi-Temp, Plastic UL 94V-0
 Terminal: Phosphor Bronze, Gold
 Plated On Contact Area Tin
 Plating On Solder Tail
 * RoHS & REACH compliant.



ORDERING INFORMATION:

P/N M C D - 7 L 8 S C $\frac{x}{1} - \frac{x}{2}$

1.CONTACT FINISH:

- "01" GOLD FLASH
- "15" 15 MICROINCH GOLD
- "30" 30 MICROINCH GOLD

2.PACKAGE TYPE:

- "0" TRAY
- "R" TAPE & REEL

SIM CARD 8 PIN CONNECTOR WITH POSTS H=2.60MM

SPECIFICATION:

Withstanding Voltage: 500V AC Max for 1 min.

Insulation R.: 1000M Ω /500V DC

Voltage Rating: 5 Volts Max.

Current Rating: 10mA Max.

Contact R.: 50m Ω Max.

Operating Temperature: -40 $^{\circ}$ C ~ +85 $^{\circ}$ C

Durability: 100000 cycles min.

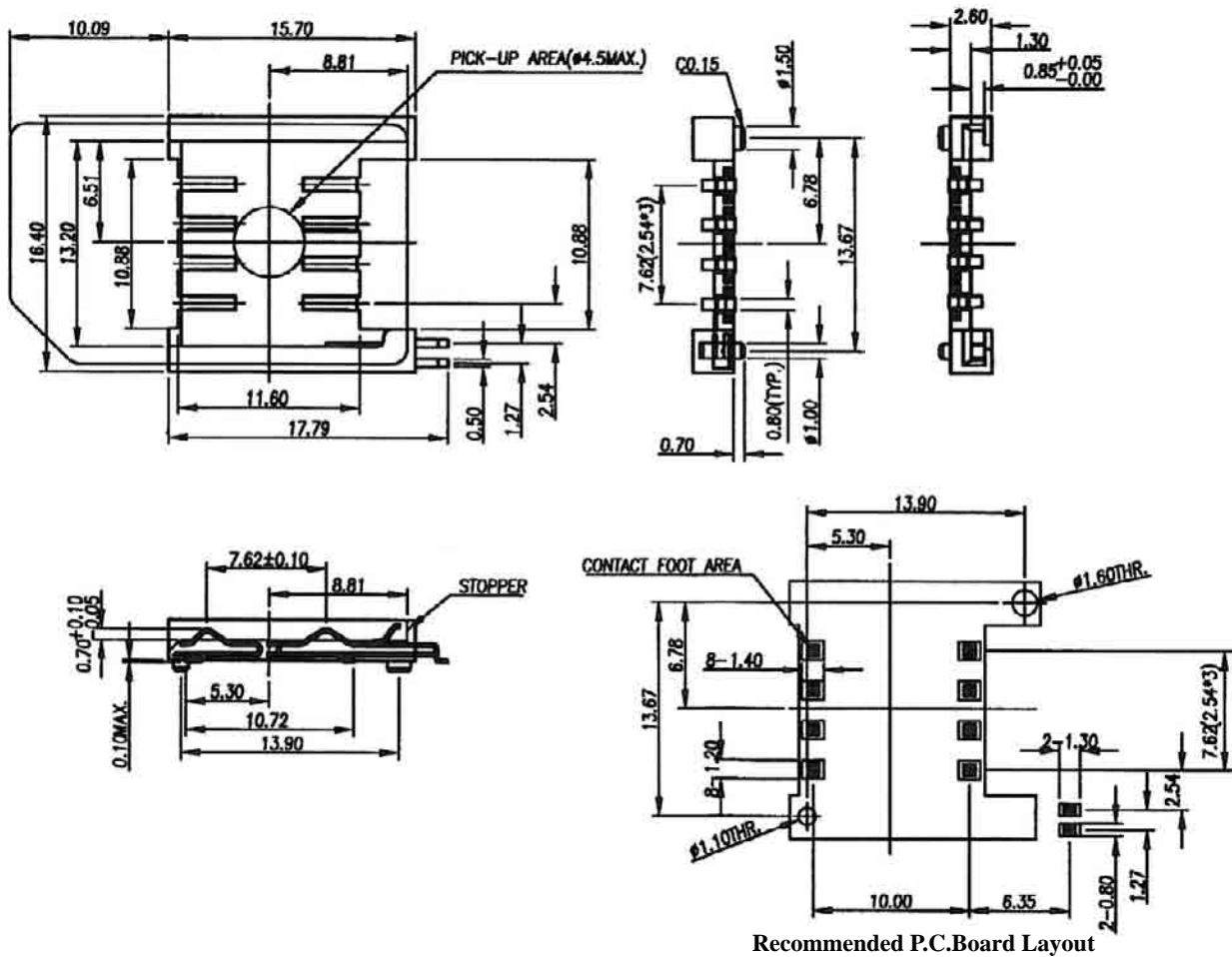
* RoHS & REACH compliant.

MATERIAL:

Contact Area: Gold Plated

Contact: Phosphor Bronze

Housing: Thermoplastic (UL94V-0)



ORDERING INFORMATION:

P/N MCD-715SC $\frac{x}{1} - \frac{x}{2}$

1. CONTACT FINISH:

"01" GOLD FLASH

"30" 30 MICROINCH GOLD

2. PACKAGE TYPE:

"T" TUBE

"R" TAPE & REEL

SIM CARD 8 PIN ACCEPTOR H=2.60MM

SPECIFICATIONS

Current Rating: 0.5 AMP Max

Dielectric Withstanding: 500VAC For 1 Minute

Contact Resistance: 30mΩ Max

Insulation R.: 1000MΩ Min

Operating Temperature: -40°C ~ +85°C

MATERIAL:

Housing: Hi-Temp, Plastic UL 94V-0

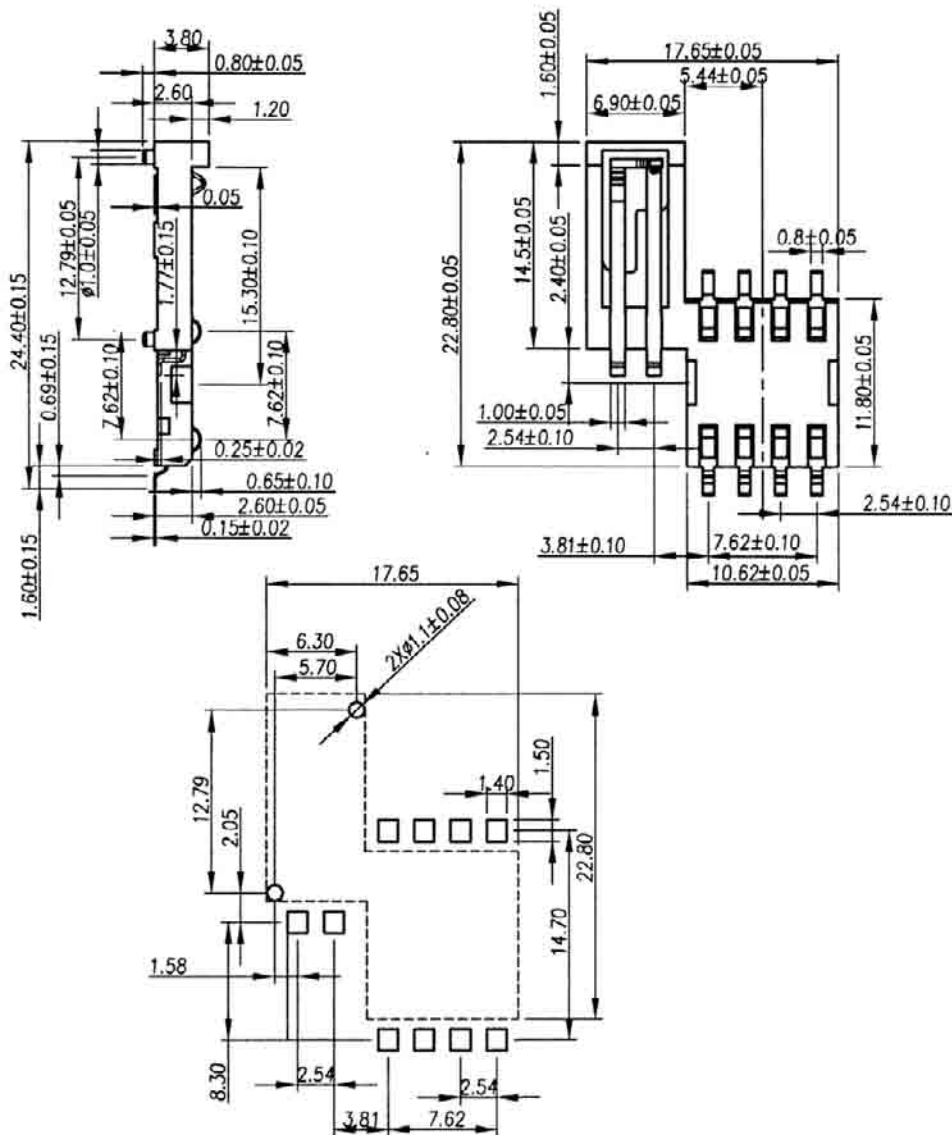
Shell: Stainless Steel, Nickel Plating

Terminal: Copper Alloy, Gold

Plated On Contact Area Tin

Plating On Solder Tail

* RoHS & REACH compliant.



Recommended P.C.Board Layout

ORDERING INFORMATION:

P/N M C D - 7 K 5 S C $\frac{x}{1} - \frac{x}{2}$

1.CONTACT FINISH:

"01" GOLD FLASH

"15" 15 MICROINCH GOLD

"30" 30 MICROINCH GOLD

2.PACKAGE TYPE:

"0" TRAY

SIM CARD 6 & 8 PIN CONNECTOR H=3.10MM

SPECIFICATION:

Withstanding Voltage: 500V DC

Insulation R.: 1000MΩ

Voltage Rating: 5V AC

Current Rating: 0.5A

Contact R.: 60mΩ Max.

Operating Temperature: -25°C ~ +85°C

Insertion Cycles: 10000 Cycles

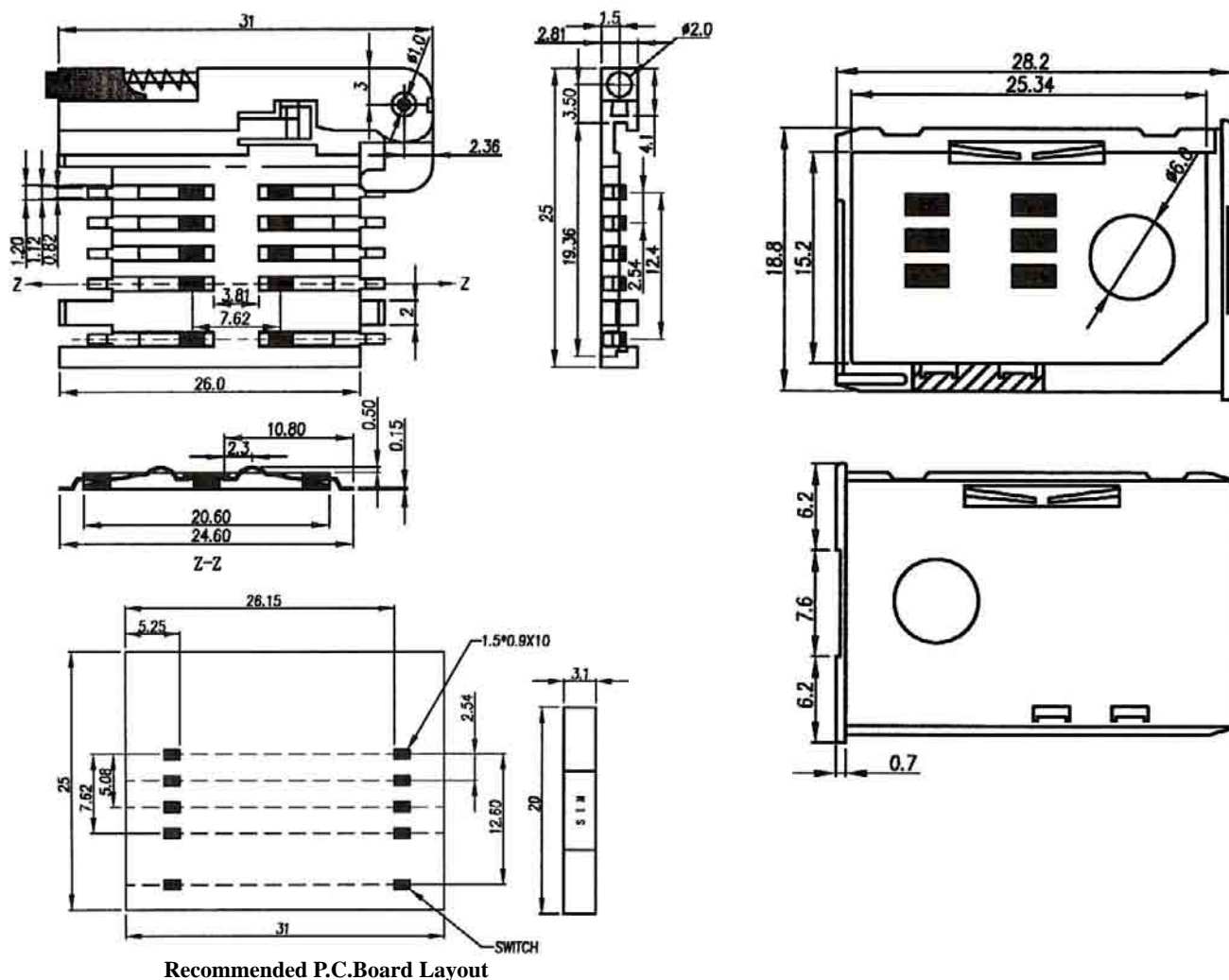
* RoHS & REACH compliant.

MATERIAL:

Housing: LCP+30% G.F.

Contact: Copper Alloy

Contact Area: Gold Plating all over Ni



ORDERING INFORMATION:

P/N M C D - $\frac{X X X}{1}$ S C $\frac{X X}{2}$ - $\frac{X}{3}$

1. NO. OF CONTACTS:

"7L1" 6 PIN CONNECTOR

"7L2" 8 PIN CONNECTOR

2. CONTACT FINISH:

"10" 10 MICROINCH GOLD

"30" 30 MICROINCH GOLD

3. PACKAGE OPTION:

"T" TUBE

"R" TAPE & REEL

SIM CARD 8 PIN CONNECTOR WITH SWITCH H=3.55MM

SPECIFICATIONS

Current Rating: 1A, 30VAC

Dielectric Withstanding: 500VAC For 1 Minute

Contact Resistance: 50mΩ Max

Insulation R.: 1000MΩ Min

Operating Temperature: -55°C ~ +105°C

MATERIAL:

Housing: LCP+30%G/F UL 94V-0

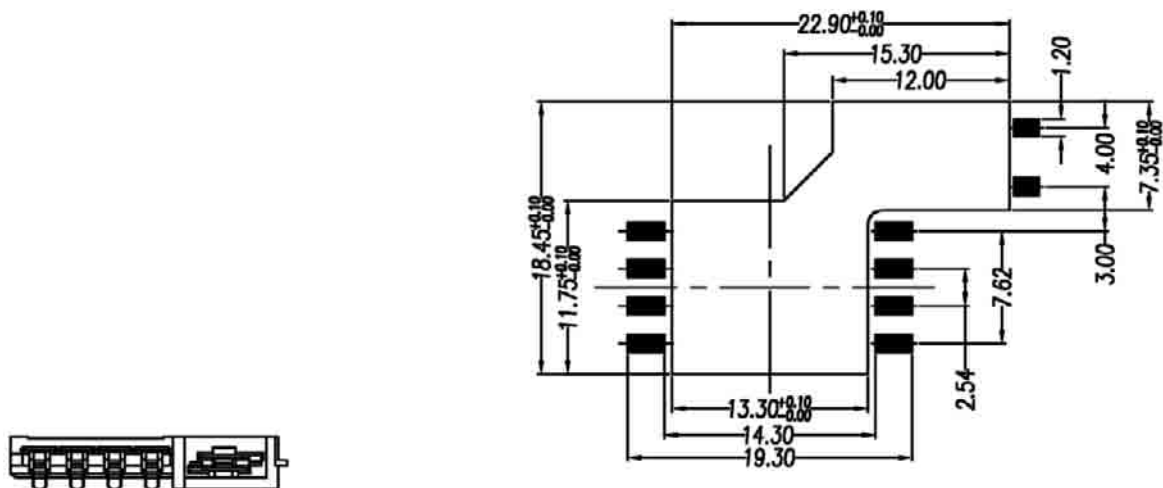
Shell: Stainless Steel, Nickel Plating

Terminal: Copper Alloy, Gold

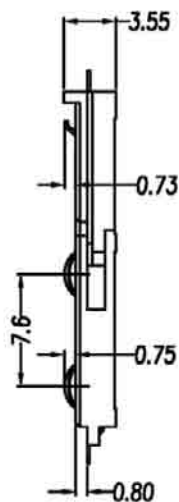
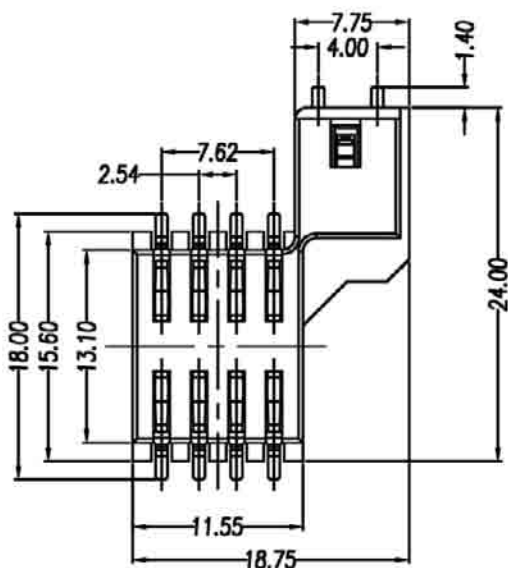
Plated On Contact Area Tin

Plating On Solder Tail

* RoHS & REACH compliant.



Recommended P.C.Board Layout



ORDERING INFORMATION:

P/N MCD-7P9SC $\frac{01}{1} - \frac{x}{2}$

1.CONTACT FINISH:

"01" GOLD FLASH

2.PACKAGE OPTION:

"R" TAPE & REEL

"0" TRAY

SIM CARD 8 PIN STACKED 2*1 CONNECTOR H=3.10MM

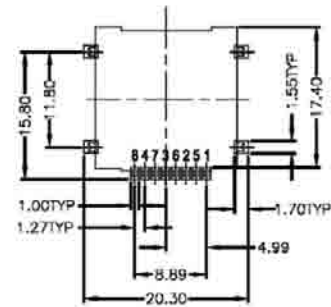
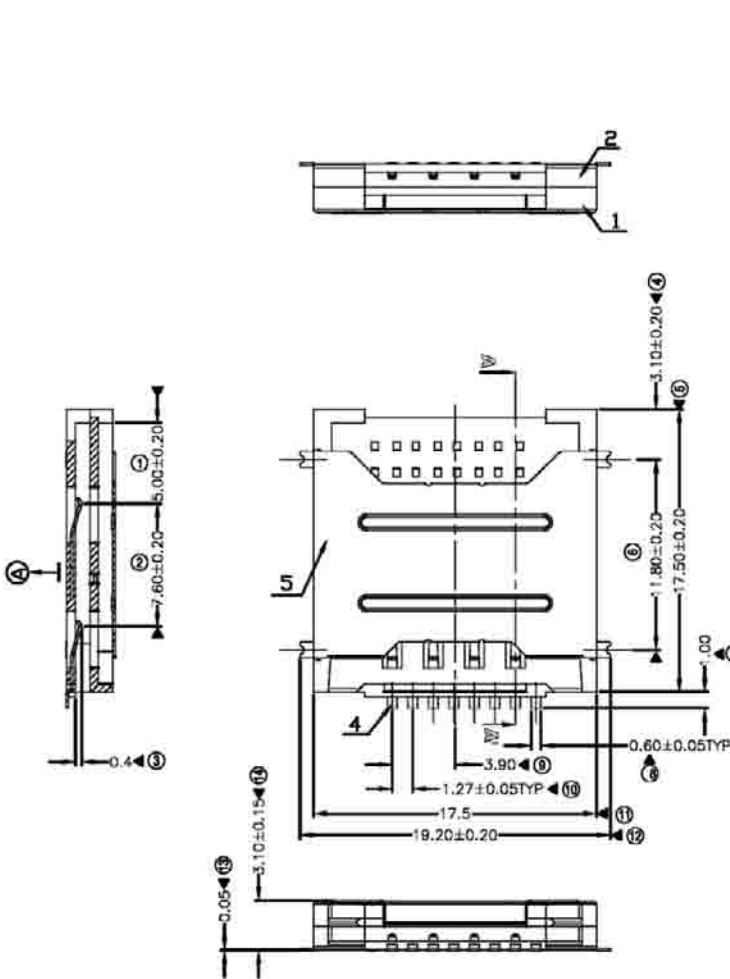
SPECIFICATIONS

Current Rating: 0.5 AMP Max
Dielectric Withstanding: 500VAC For 1 Minute
Contact Resistance: 30mΩ Max
Insulation R.: 500MΩ Min
Operating Temperature: -25°C ~ +85°C

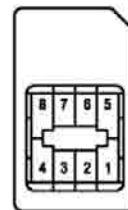
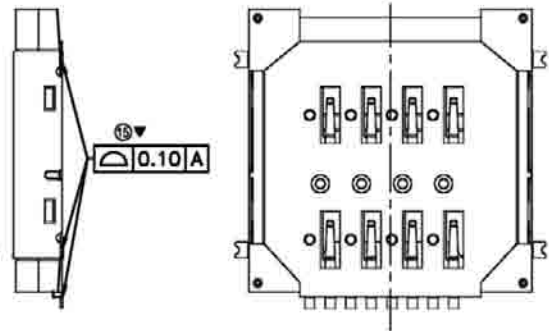
MATERIAL:

Housing: Hi-Temp, Plastic UL 94V-0
Shell: Stainless Steel, Nickel Plating
Terminal: Copper Alloy, Gold
 Plated On Contact Area Tin
 Plating On Solder Tail

* RoHS & REACH compliant.



Recommended P.C. Board Layout



PIN 1: Reserved
 PIN 2: CLK
 PIN 3: RST
 PIN 4: VCC
 PIN 5: Reserved
 PIN 6: I/O
 PIN 7: VPP
 PIN 8: GND

Sim Card Circuit Top View(Scale 1:2)

ORDERING INFORMATION:

P/N M C D - 7 T 7 S C $\frac{X}{1} \frac{X}{2}$

- 1..CONTACT FINISH:
 "01" GOLD FLASH
 "05" 5 MICROINCH GOLD
- 2.PACKAGE OPTION:
 "R" TAPE & REEL
 "0" TRAY

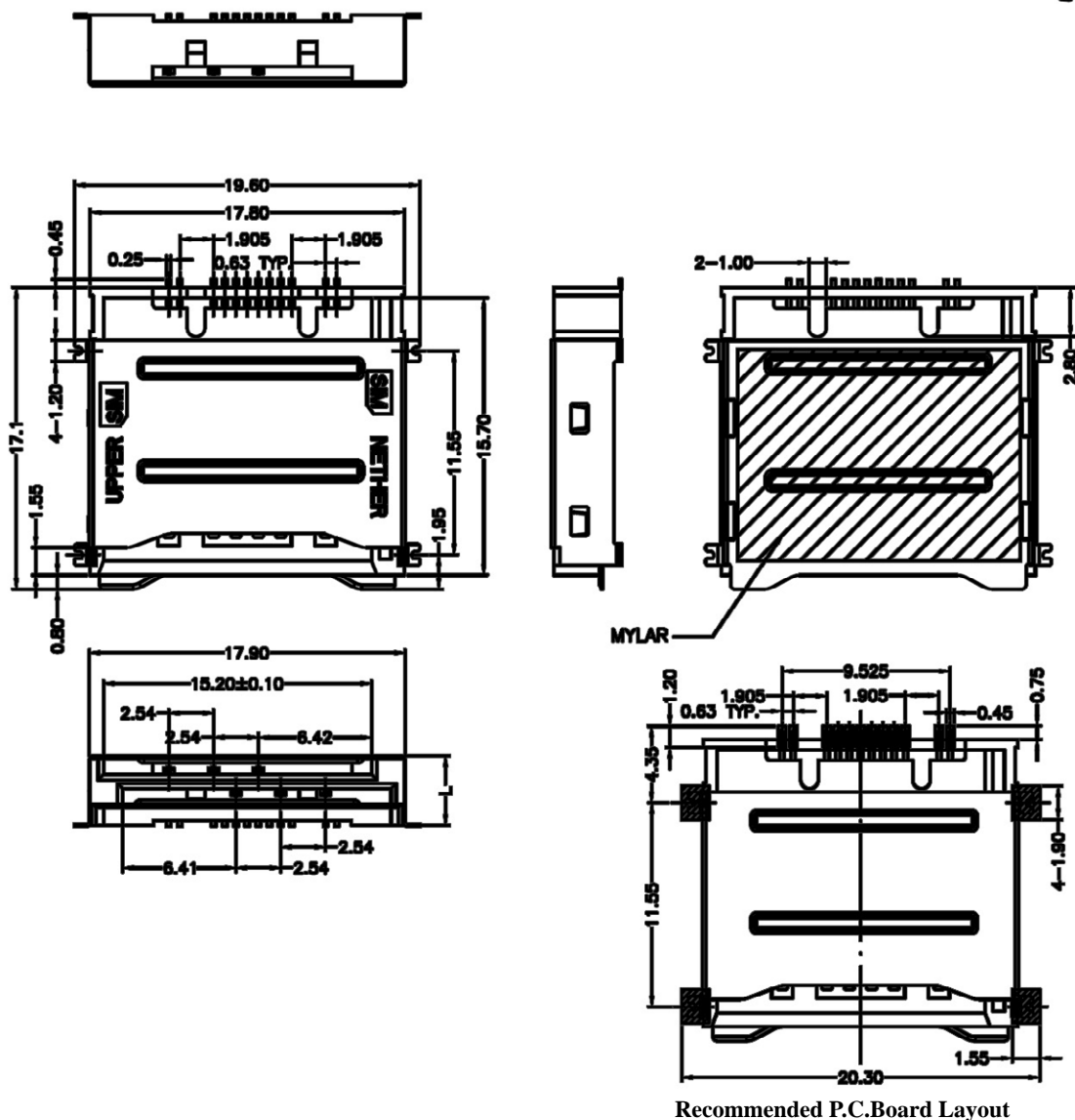
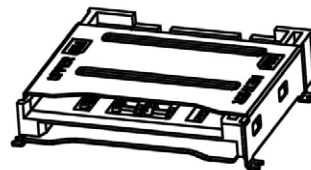
SIM CARD 12 PIN STACKED 2*1 CONNECTOR H= 2.90MM & 3.95MM

SPECIFICATIONS

Current Rating: 0.5 AMP Max
 Dielectric Withstanding: 500VAC For 1 Minute
 Contact Resistance: 30mΩ Max
 Insulation R.: 1000MΩ Min
 Operating Temperature: -25°C ~ +85°C

MATERIAL:

Housing: Hi-Temp, Plastic UL 94V-0
 Shell: Stainless Steel, Nickel Plating
 Terminal: Copper Alloy
 * RoHS & REACH compliant.



Recommended P.C.Board Layout

ORDERING INFORMATION:

P/N M C D - $\frac{X X X}{1}$ S C $\frac{X X}{2}$ - $\frac{X}{3}$

1. HEIGHT OPTION:

"7N3" L=2.90MM
 "7N4" L=3.95MM

2. CONTACT FINISH:

"01" GOLD FLASH
 "05" 05 MICROINCH GOLD
 "10" 10 MICROINCH GOLD
 "15" 15 MICROINCH GOLD
 "30" 30 MICROINCH GOLD

3. PACKAGE TYPE:

"R" TAPE & REEL

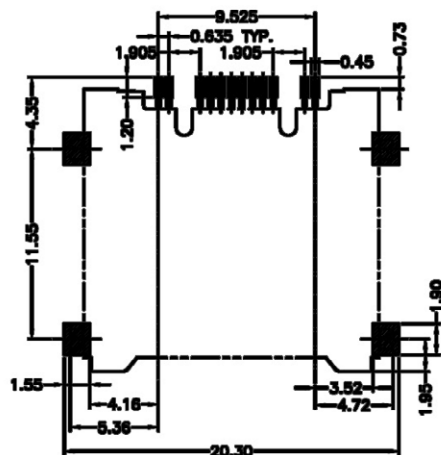
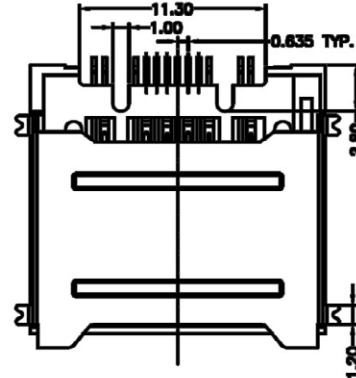
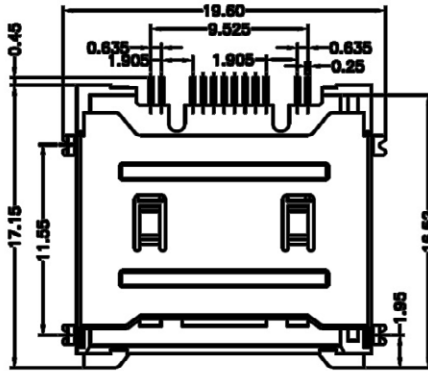
SIM CARD 12 PIN STACKED 2*1 CONNECTOR H= 3.00MM

SPECIFICATIONS

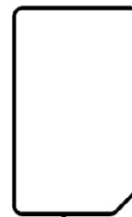
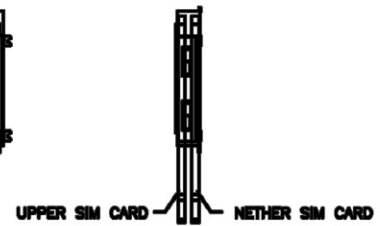
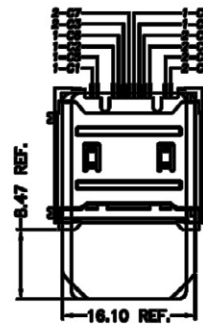
Current Rating: 0.5 AMP Max
 Dielectric Withstanding: 500VAC For 1 Minute
 Contact Resistance: 30mΩ Max
 Insulation R.: 1000MΩ Min
 Operating Temperature: -25°C ~ +85°C

MATERIAL:

Housing: Hi-Temp, Plastic UL 94V-0
 Shell: Stainless Steel, Nickel Plating
 Terminal: Copper Alloy
 * RoHS & REACH compliant.



Recommended P.C.Board Layout



UPPER SIM CARD

NETHER SIM CARD

ORDERING INFORMATION:

P/N M C D - 7 N 5 S C $\frac{X}{1} - \frac{X}{2}$

1.CONTACT FINISH:

- "01" GOLD FLASH
- "05" 05 MICROINCH GOLD
- "10" 10 MICROINCH GOLD
- "15" 15 MICROINCH GOLD
- "30" 30 MICROINCH GOLD

2.PACKAGE TYPE:

- "R" TAPE & REEL

SIM CARD 16 PIN STACKED 2*1 CONNECTOR H=3.10MM

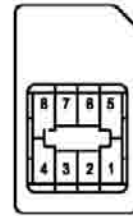
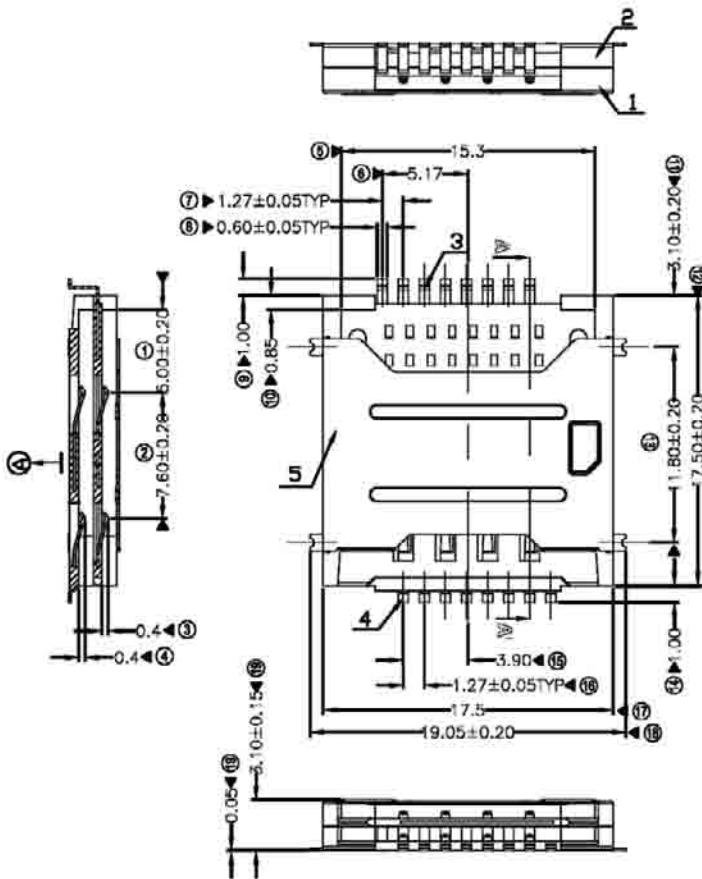
SPECIFICATIONS

Current Rating: 0.5 AMP Max
 Dielectric Withstanding: 500VAC For 1 Minute
 Contact Resistance: 60mΩ Max
 Insulation R.: 500MΩ Min
 Operating Temperature: -25°C ~ +85°C

MATERIAL:

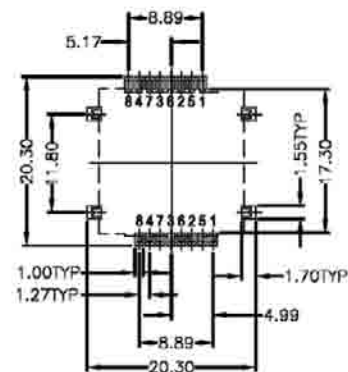
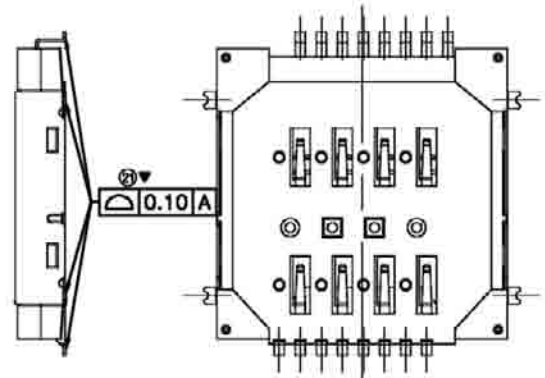
Housing: LCP+30%GF UL 94V-0
 Shell: Stainless Steel, Nickel Plating
 Terminal: Copper Alloy, Gold
 Plated On Contact Area Tin
 Plating On Solder Tail

* RoHS & REACH compliant.



PIN 1: Reserved
 PIN 2: CLK
 PIN 3: RST
 PIN 4: VCC
 PIN 5: Reserved
 PIN 6: I/O
 PIN 7: VPP
 PIN 8: GND

Sim Card Circuit(TOP VIEW)



Recommended P.C.Board Layout

ORDERING INFORMATION:

P/N M C D - 7 T 3 S C $\frac{X}{1} \frac{X}{2}$

- 1..CONTACT FINISH:
 "01" GOLD FLASH
 "03" 3 MICROINCH GOLD
 "05" 5 MICROINCH GOLD
- 2.PACKAGE OPTION:
 "R" TAPE & REEL
 "0" TRAY

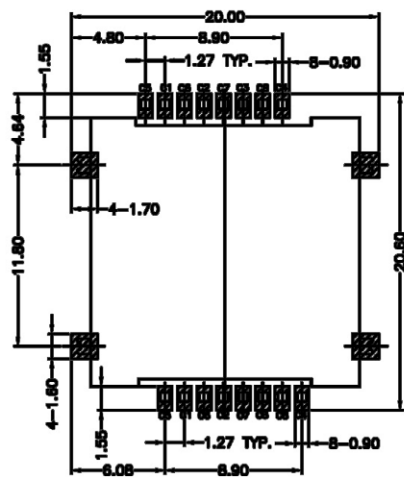
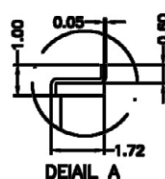
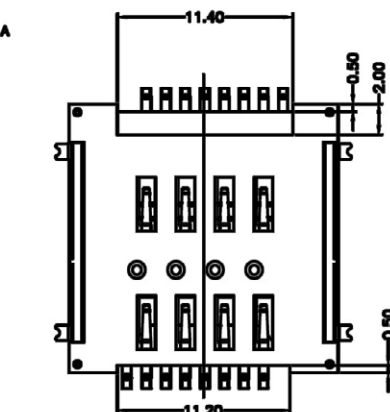
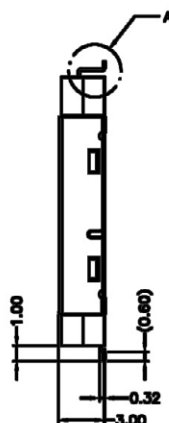
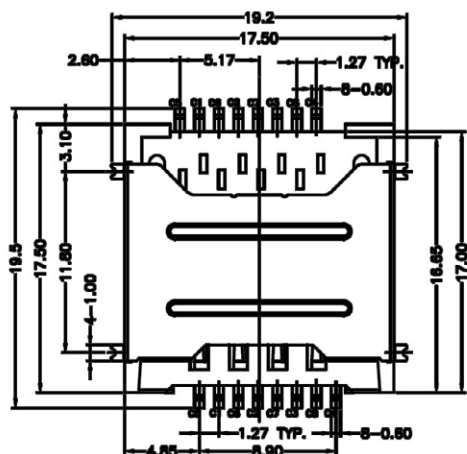
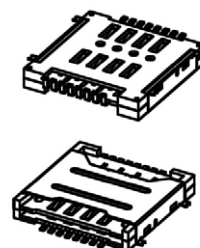
SIM CARD 16 PIN STACKED 2*1 CONNECTOR H= 3.00MM

SPECIFICATIONS

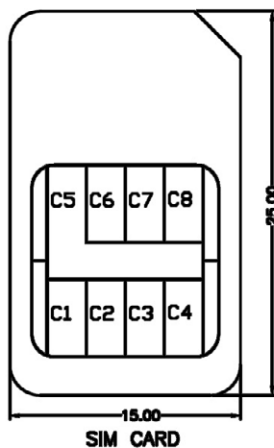
Current Rating: 0.5 AMP Max
 Dielectric Withstanding: 500VAC For 1 Minute
 Contact Resistance: 30mΩ Max
 Insulation R.: 1000MΩ Min
 Operating Temperature: -25°C ~ +85°C

MATERIAL:

Housing: Hi-Temp, Plastic UL 94V-0
 Shell: Stain Steel, Nickel Plating
 Terminal: Copper Alloy
 * RoHS & REACH compliant.



Recommended P.C.Board Layout



ORDERING INFORMATION:

P/N M C D - 7 N 2 S C $\frac{X}{1} \frac{X}{2}$

1.CONTACT FINISH:

- "01" GOLD FLASH
- "05" 05 MICROINCH GOLD
- "10" 10 MICROINCH GOLD
- "15" 15 MICROINCH GOLD
- "30" 30 MICROINCH GOLD

2.PACKAGE TYPE:

- "R" TAPE & REEL

SIM CARD 16 PIN STACKED 2*1 CONNECTOR H= 3.00MM

SPECIFICATIONS

Current Rating: 0.5 AMP Max

Dielectric Withstanding: 500VAC For 1 Minute

Contact Resistance: 30mΩ Max

Insulation R.: 1000MΩ Min

Operating Temperature: -25°C ~ +85°C

MATERIAL:

Housing: Hi-Temp, Plastic UL 94V-0

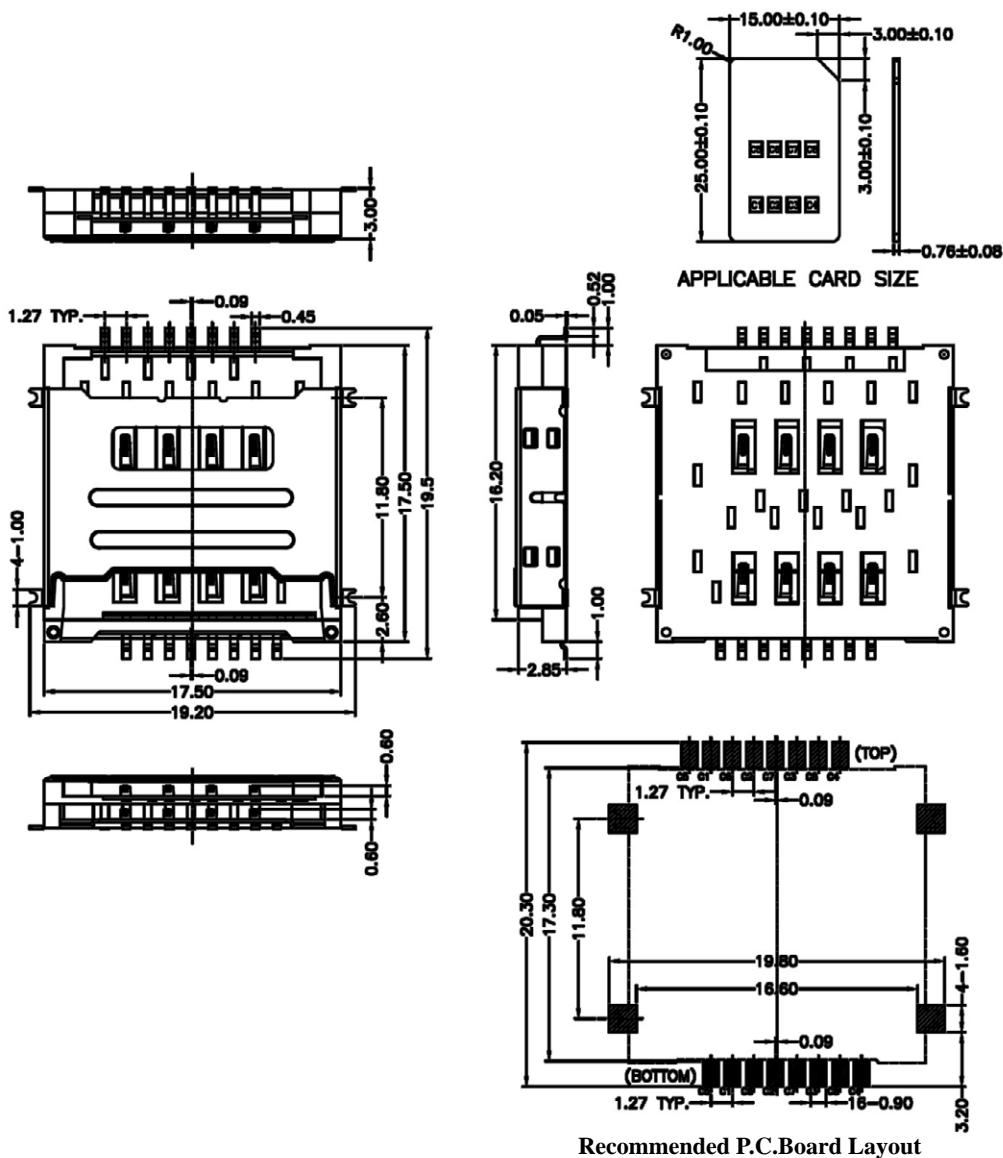
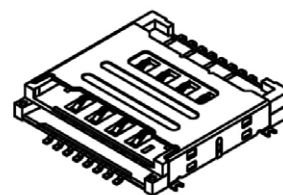
Shell: Stainless Steel, Nickel Plating

Terminal: Copper Alloy, Gold

Plated On Contact Area Tin

Plating On Solder Tail

* RoHS & REACH compliant.



ORDERING INFORMATION:

P/N M C D - 7 N 6 S C $\frac{X}{1} - \frac{X}{2}$

1.CONTACT FINISH:

"01" GOLD FLASH

"05" 05 MICROINCH GOLD

"10" 10 MICROINCH GOLD

"15" 15 MICROINCH GOLD

"30" 30 MICROINCH GOLD

2.PACKAGE TYPE:

"R" TAPE & REEL

2.54MM PITCH 8 PIN SMART (IC) FEMALE CARD CONNECTOR SMT TYPE WITH POSTS H=3.65MM

SPECIFICATION:

Voltage Raing: 500V DC Max.

Insulation R.: 1000MΩ

Current Rating: 0.5A

Contact R.: 100mΩ Max.

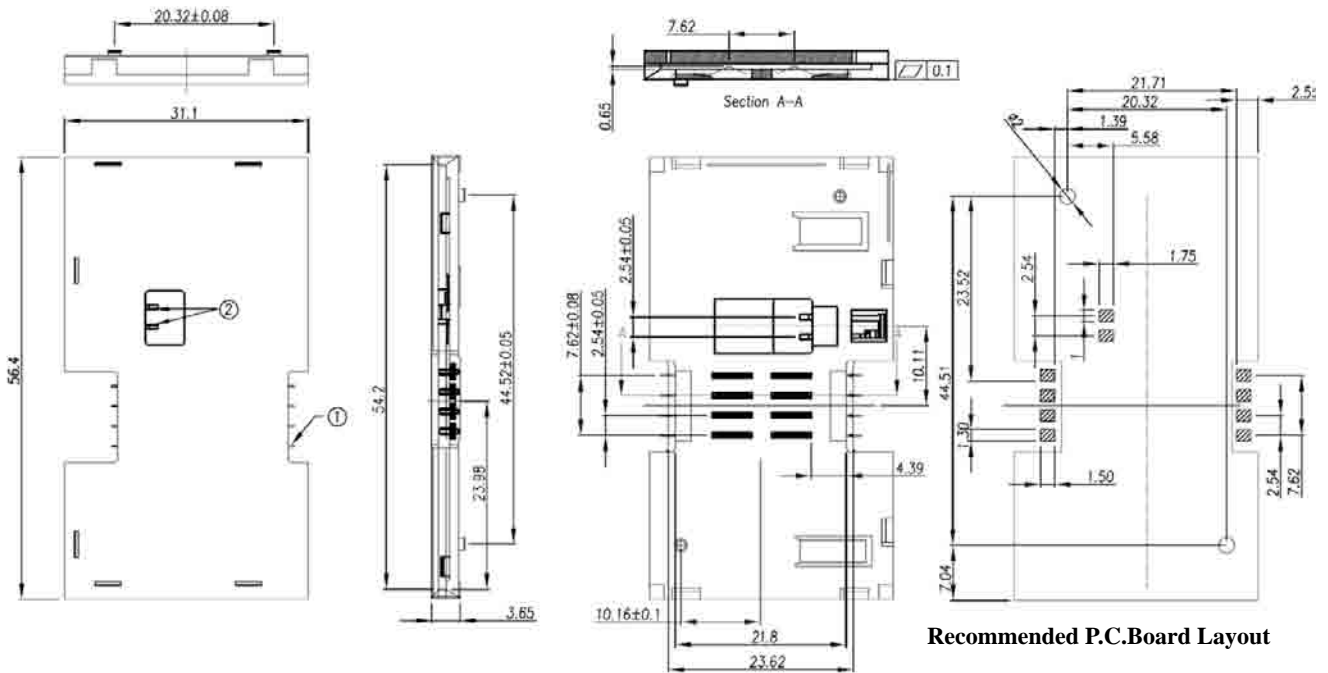
Operating Temperature: -20°C ~ +80°C

* RoHS & REACH compliant.

MATERIAL:

Base: Nylon 9T

Cover: Nylon 9T



Recommended P.C.Board Layout

ORDERING INFORMATION:

P/N MCD-808SI₁XX_I

1. CONTACT FINISH:

"05" 05 MICROINCH GOLD

2.54MM PITCH 8 PIN SMART (IC) FEMALE CARD CONNECTOR SMT TYPE WITH POSTS H=5.80MM

SPECIFICATION:

Withstanding Voltage: 500V DC Max. for 1 min.

Voltage Raing: 500V DC Max.

Insulation R.: 1000M Ω

Current Rating: 1A AC/DC

Contact R.: 40m Ω Max.

Operating Temperature: -40 $^{\circ}$ C ~ +85 $^{\circ}$ C

Insertion Cycles: 10000 Times

* RoHS & REACH compliant.

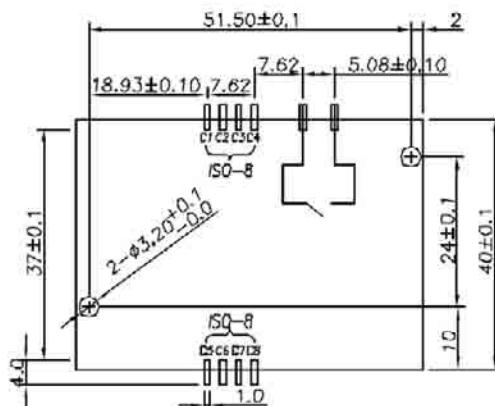
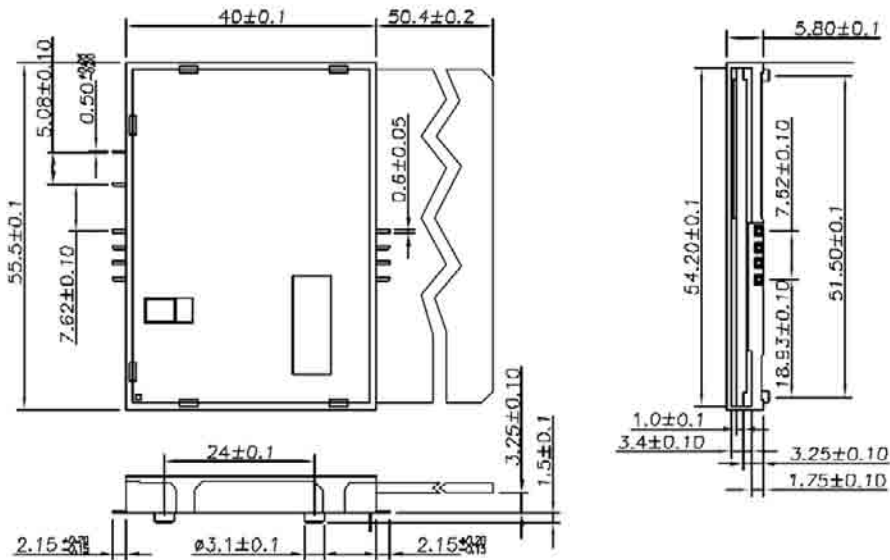
MATERIAL:

Cover: PBT(UL94V-0) rated

Clutch: PPS(UL94V-0) rated

Contact: Copper Alloy

Housing: PBT(UL94V-0) rated



Recommended P.C.Board Layout

ORDERING INFORMATION:

P/N MCD-810SI_IXX

1. CONTACT FINISH:

"30" 30 MICROINCH GOLD

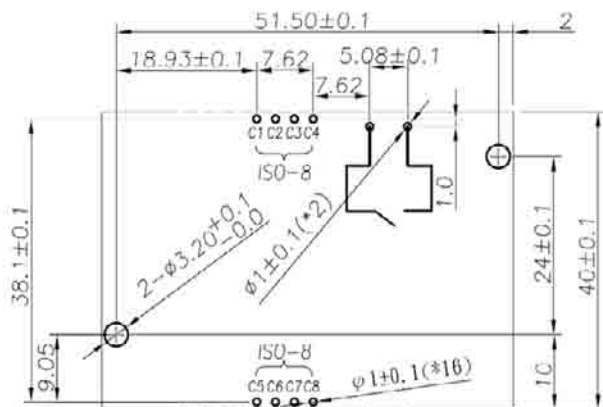
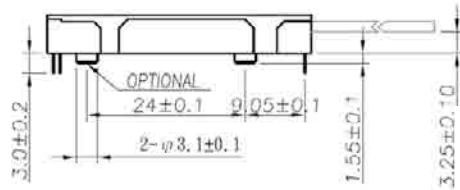
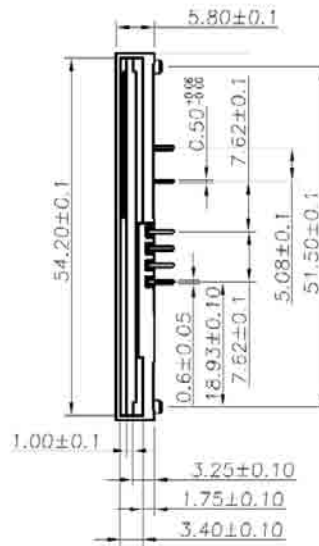
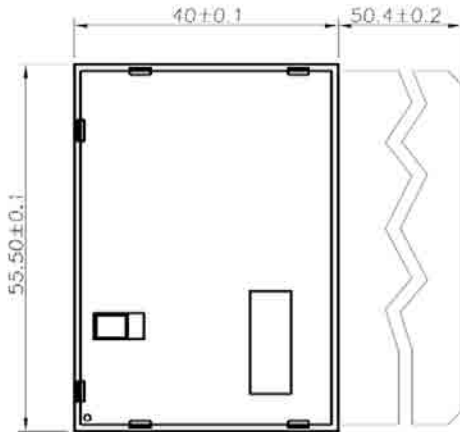
2.54MM PITCH 8 PIN SMART (IC) FEMALE CARD CONNECTOR DIP TYPE WITH POSTS H=5.80MM

SPECIFICATION:

Insulation R.: 1000MΩ
 Contact R.: 50mΩ Max.
 Operating Temperature: -40°C ~ +85°C
 Durability: 300000 Cycles
 * RoHS & REACH compliant.

MATERIAL:

Insulator: Thermoplastic (UL94V-0)



Recommended P.C.Board Layout

ORDERING INFORMATION:

P/N MCD-814SI30

1. CONTACT FINISH:
 "30" 30 MICROINCH GOLD

2.54MM PITCH 8 PIN SMART (IC) FEMALE CARD CONNECTOR DIP TYPE WITH POSTS H=3.60MM

SPECIFICATION:

Insulation R.: 1000M Ω

Contact R.: 50m Ω Max.

Operating Temperature: -40 $^{\circ}$ c ~ +85 $^{\circ}$ c

Durability: 300000 Cycles

* RoHS & REACH compliant.

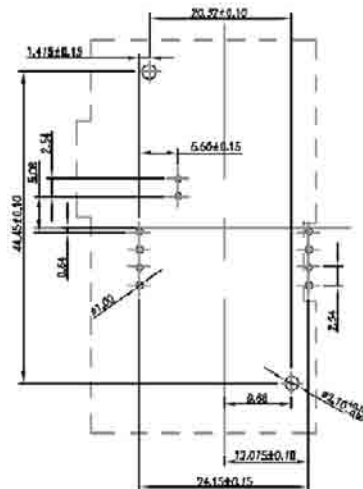
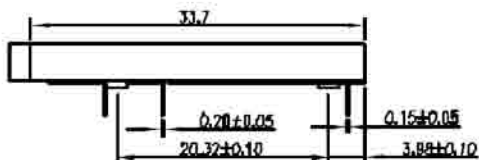
MATERIAL:

Cover: Thermoplastic (UL94V-0)

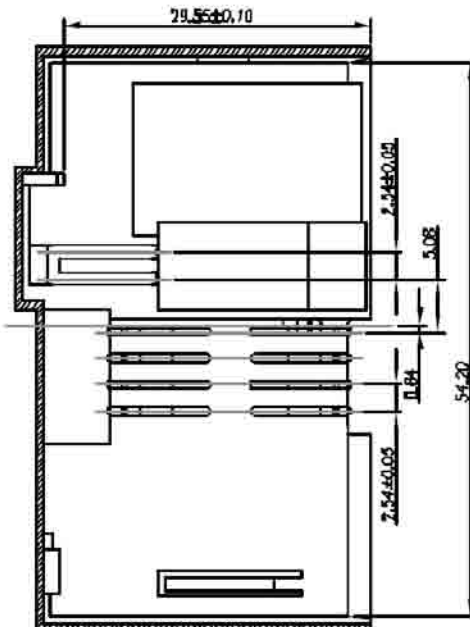
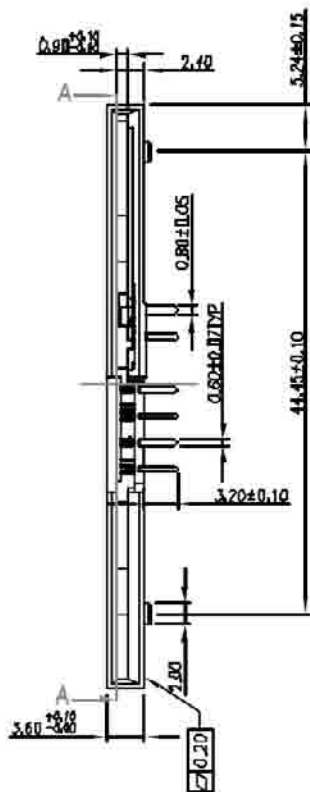
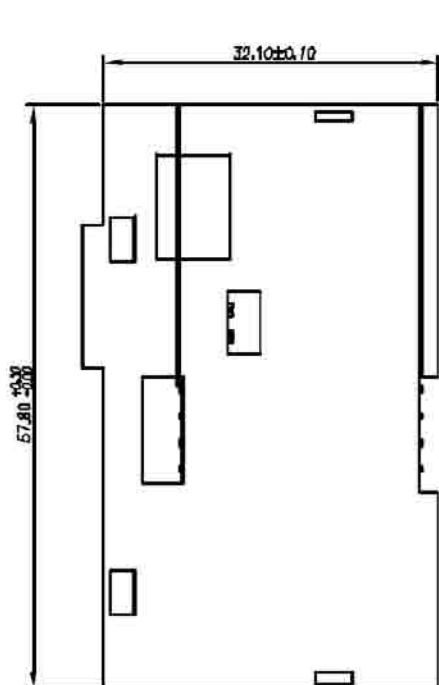
Base: Thermoplastic (UL94V-0)

Contact: Copper Alloy

Switch: Copper Alloy



Recommended P.C.Board Layout



ORDERING INFORMATION:

P/N MCD-815SI30

- CONTACT FINISH:
"30" 30 MICROINCH GOLD

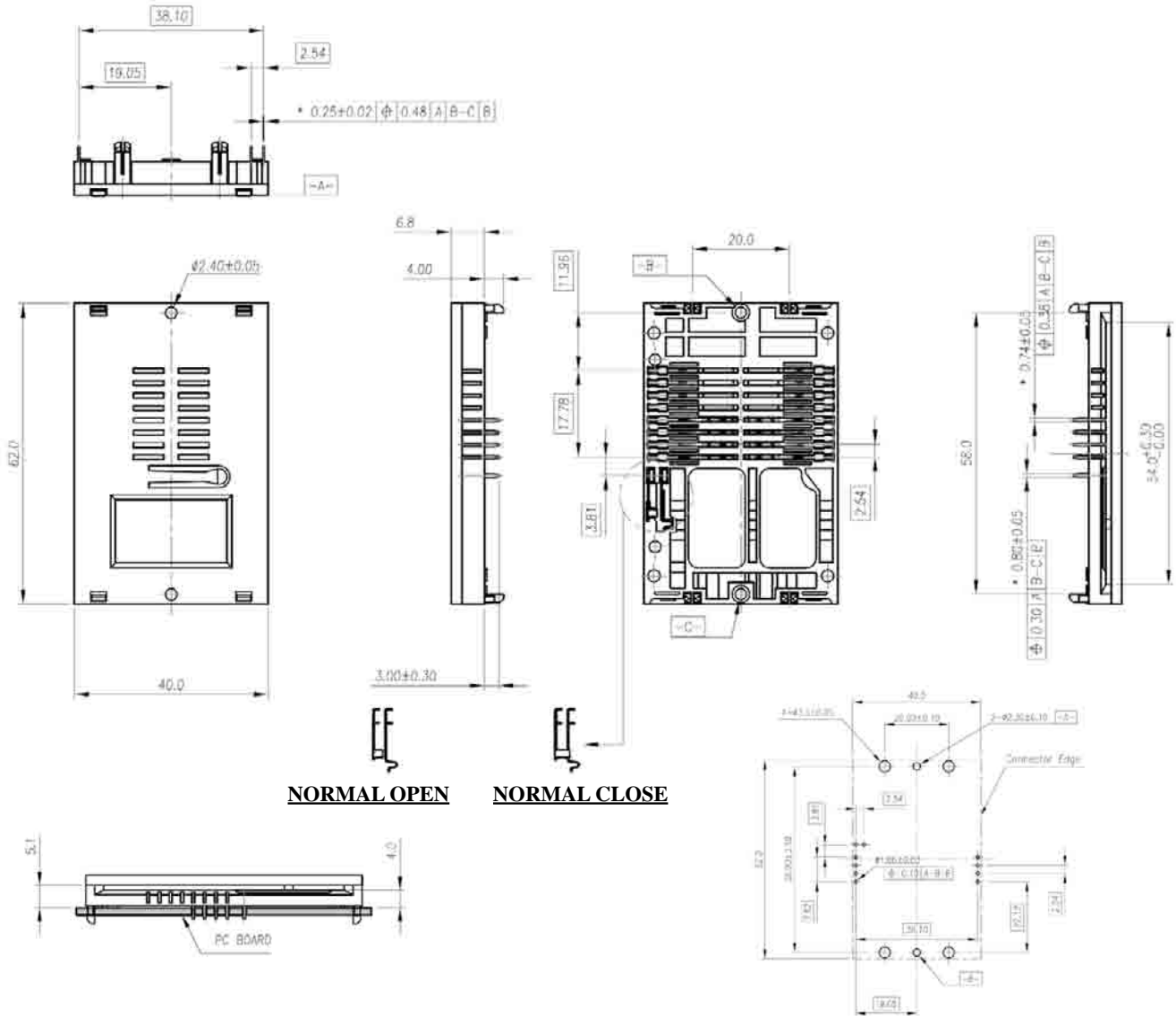
2.54MM PITCH 8 PIN SMART (IC) FEMALE CARD CONNECTOR DIP TYPE WITH POSTS H=6.80MM

SPECIFICATION:

Insulation R.: 1000MΩ
 Contact R.: 50mΩ Max.
 Operating Temperature: -40°C ~ +85°C
 Durability: 300000 Cycles
 * RoHS & REACH compliant.

MATERIAL:

Housing: PBT (UL94V-0)
 Contact: Phosphor Bronze



NORMAL OPEN NORMAL CLOSE

Recommended P.C.Board Layout

ORDERING INFORMATION:

P/N M C D - S I

1. SWITCH CONTACT TYPE:
 "816" NORMAL OPEN
 "817" NORMAL CLOSE
2. CONTACT FINISH:
 "08" 08 MICROINCH GOLD
 "15" 15 MICROINCH GOLD
 "30" 30 MICROINCH GOLD

2.54MM PITCH 8 PIN SMART (IC) FEMALE CARD CONNECTOR DIP TYPE WITH POSTS

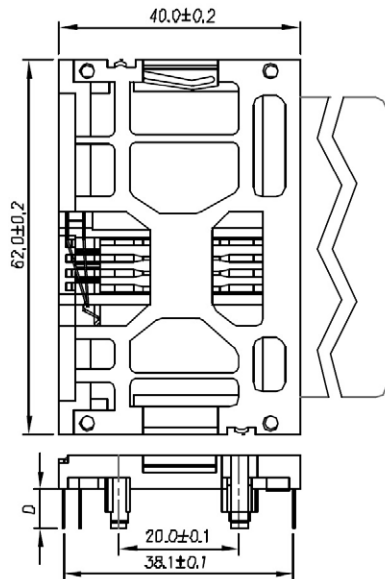
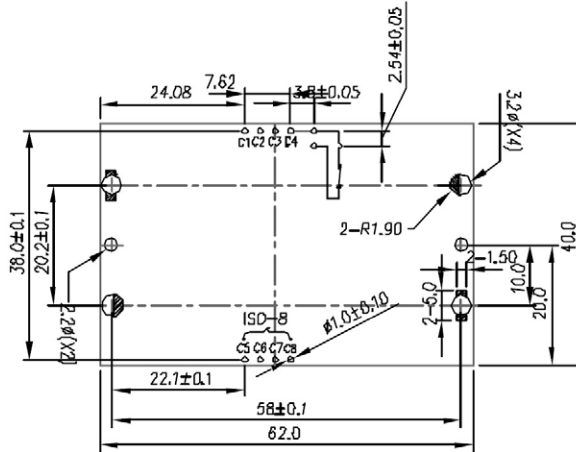
SPECIFICATION:

Insulation R.: 1000MΩ
 Contact R.: 50mΩ Max.
 Operating Temperature: -40°C ~ +85°C
 Durability: 100000 Cycles
 * RoHS & REACH compliant.

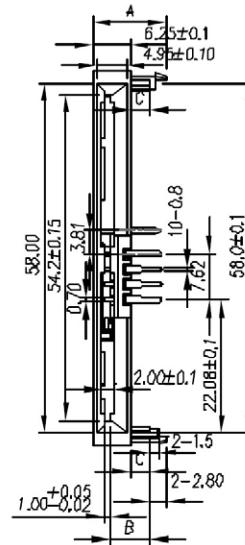
MATERIAL:

Insulator: Thermoplastic (UL94V-0)

PART NO.	A	B	C	D
MCD-818SI	12.85	10.05	3.15	6.35
MCD-819SI	13.20	10.40	3.50	6.70
MCD-820SI	15.25	12.45	5.55	8.75
MCD-824SI	16.10	13.30	6.40	9.60



Recommended P.C.Board Layout



ORDERING INFORMATION:

P/N MCD - XXX S I 01
 1 2

- SWITCH CONTACT TYPE:
 "818" STAND OFF = 3.15MM
 "819" STAND OFF = 3.50MM
 "820" STAND OFF = 5.55MM
 "824" STAND OFF = 6.40MM
- CONTACT FINISH:
 "01" GOLD FLASH

2.54MM PITCH PIN SMART (IC) FEMALE CARD CONNECTOR DIP TYPE WITH POSTS H=3.80MM

SPECIFICATION:

Insulation R.: 1000MΩ

Contact R.: 50mΩ Max.

Operating Temperature: -40°C ~ +85°C

Durability: 100000 Cycles

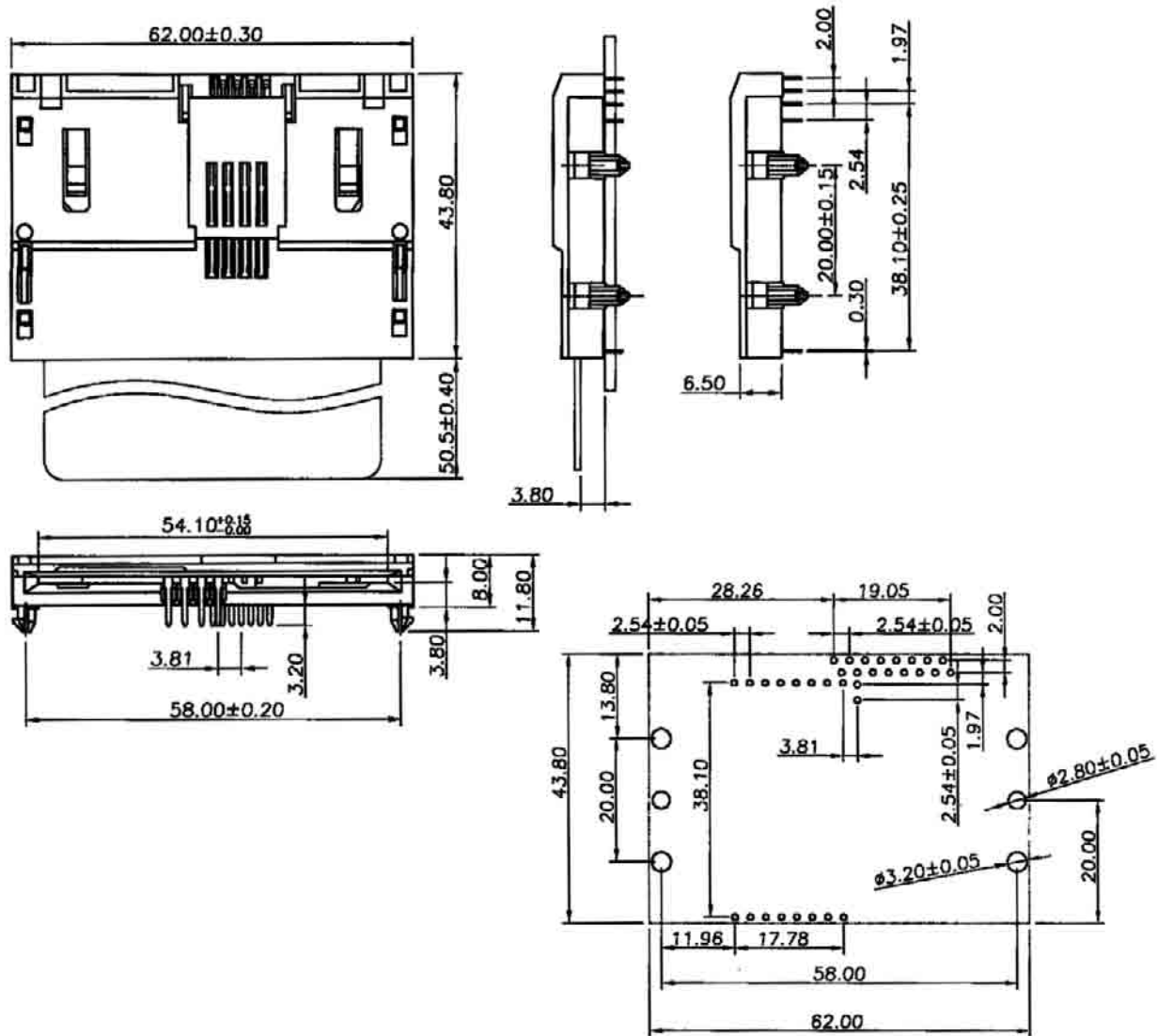
* RoHS & REACH compliant.

MATERIAL:

Housing: Thermoplastic (UL94V-0)

Contact: Phosphor Bronze

Switch: Phosphor Bronze



Recommended P.C.Board Layout

ORDERING INFORMATION:

P/N MCD-823SI_IXX

- CONTACT FINISH:
"01" GOLD FLASH

2.54 MM PITCH 8 PIN SMART (IC) FEMALE CARD CONNECTOR SMT TYPE WITH POSTS H = 3.65MM

SPECIFICATIONS

Current Rating: 0.5 AMP Max

Dielectric Withstanding: 500VAC For 1 Minute

Insulation R.: 1000MΩ Min At DC 500V

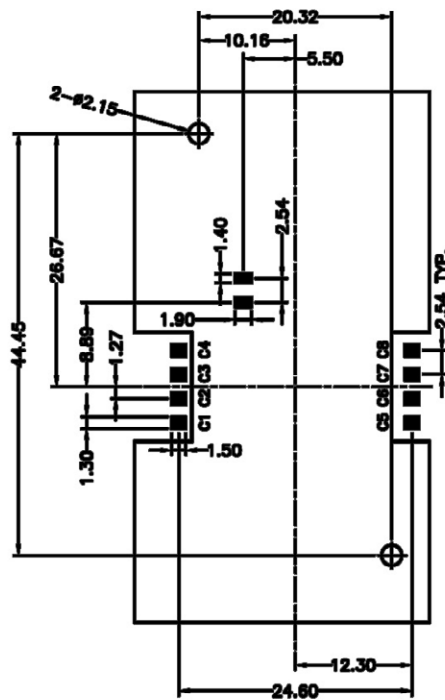
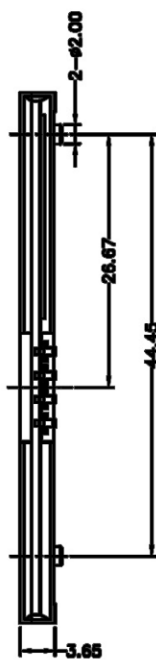
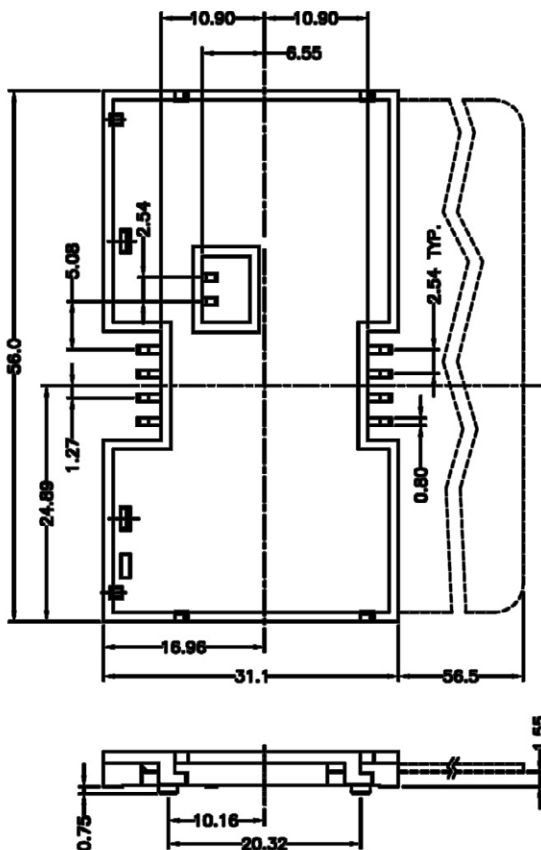
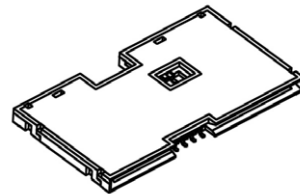
Operating Temperature: -40°C ~ +85°C

* RoHS & REACH compliant.

MATERIAL:

Housing: Hi-Temp, Plastic(UL 94V-0)

Contacts: Copper Alloy



Recommended P.C.Board Layout

ORDERING INFORMATION:

P/N MCD-825SI_{XX}_I

1.CONTACT FLASH:

"01" GOLD FLASH

"15" 15 MICROINCH GOLD

"30" 30 MICROINCH GOLD

2.54 MM PITCH 8 PIN SMART (IC) FEMALE CARD CONNECTOR SMT TYPE WITH POSTS H = 5.80MM

SPECIFICATIONS

Current Rating: 0.5 AMP Max

Dielectric Withstanding: 500VAC For 1 Minute

Insulation R.: 1000MΩ Min At DC 500V

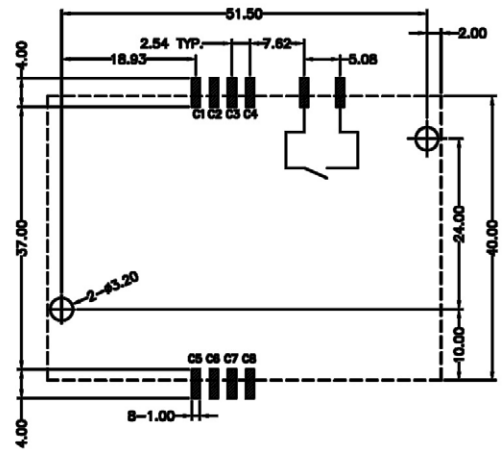
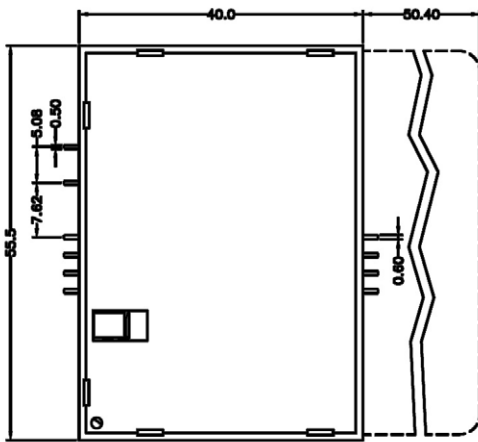
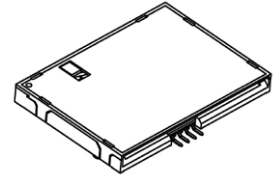
Operating Temperature: -40°C ~ +85°C

* RoHS & REACH compliant.

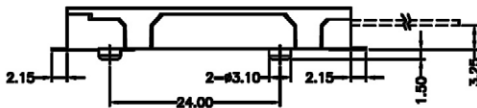
MATERIAL:

Housing: Hi-Temp, Plastic(UL 94V-0)

Contacts: Copper Alloy



Recommended P.C.Board Layout



ORDERING INFORMATION:

P/N M C D - 8 2 6 S I X X
I

1.CONTACT FLASH:

"01" GOLD FLASH

"15" 15 MICROINCH GOLD

"30" 30 MICROINCH GOLD

2.54 MM PITCH 8 PIN SMART (IC) FEMALE CARD CONNECTOR DIP TYPE WITH POSTS H = 5.80MM

SPECIFICATIONS

Current Rating: 0.5 AMP Max

Dielectric Withstanding: 500VAC For 1 Minute

Insulation R.: 1000M Ω Min At DC 500V

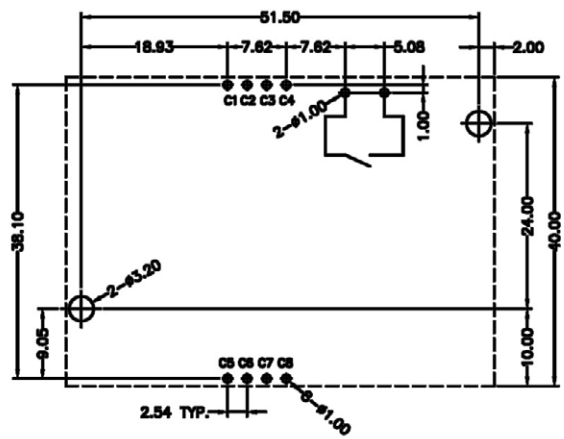
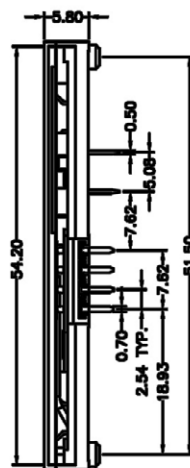
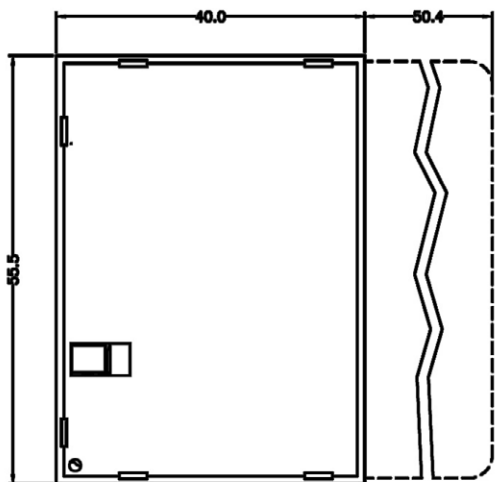
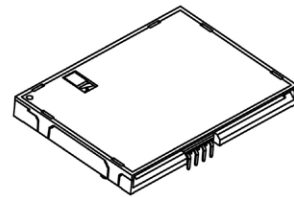
Operating Temperature: -40 $^{\circ}$ c ~ +85 $^{\circ}$ c

* RoHS & REACH compliant.

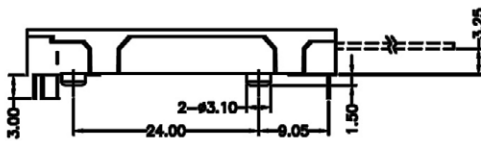
MATERIAL:

Housing: Thermoplastic(UL 94V-0)

Contacts: Copper Alloy



Recommended P.C.Board Layout



ORDERING INFORMATION:

P/N M C D - 8 2 7 S I X X
I

1.CONTACT FLASH:

"01" GOLD FLASH

"15" 15 MICROINCH GOLD

"30" 30 MICROINCH GOLD

2.54MM PITCH 16 PIN SMART (IC) FEMALE CARD CONNECTOR DIP TYPE WITH POSTS H=6.80MM

SPECIFICATION:

Withstanding Voltage: 500V DC Max. for 1 min.

Voltage Raing: 500V DC Max.

Insulation R.: 1000MΩ

Current Rating: 1A AC/DC

Contact R.: 40mΩ Max.

Operating Temperature: -40°C ~ +85°C

Insertion Cycles: 10000 Times

* RoHS & REACH compliant.

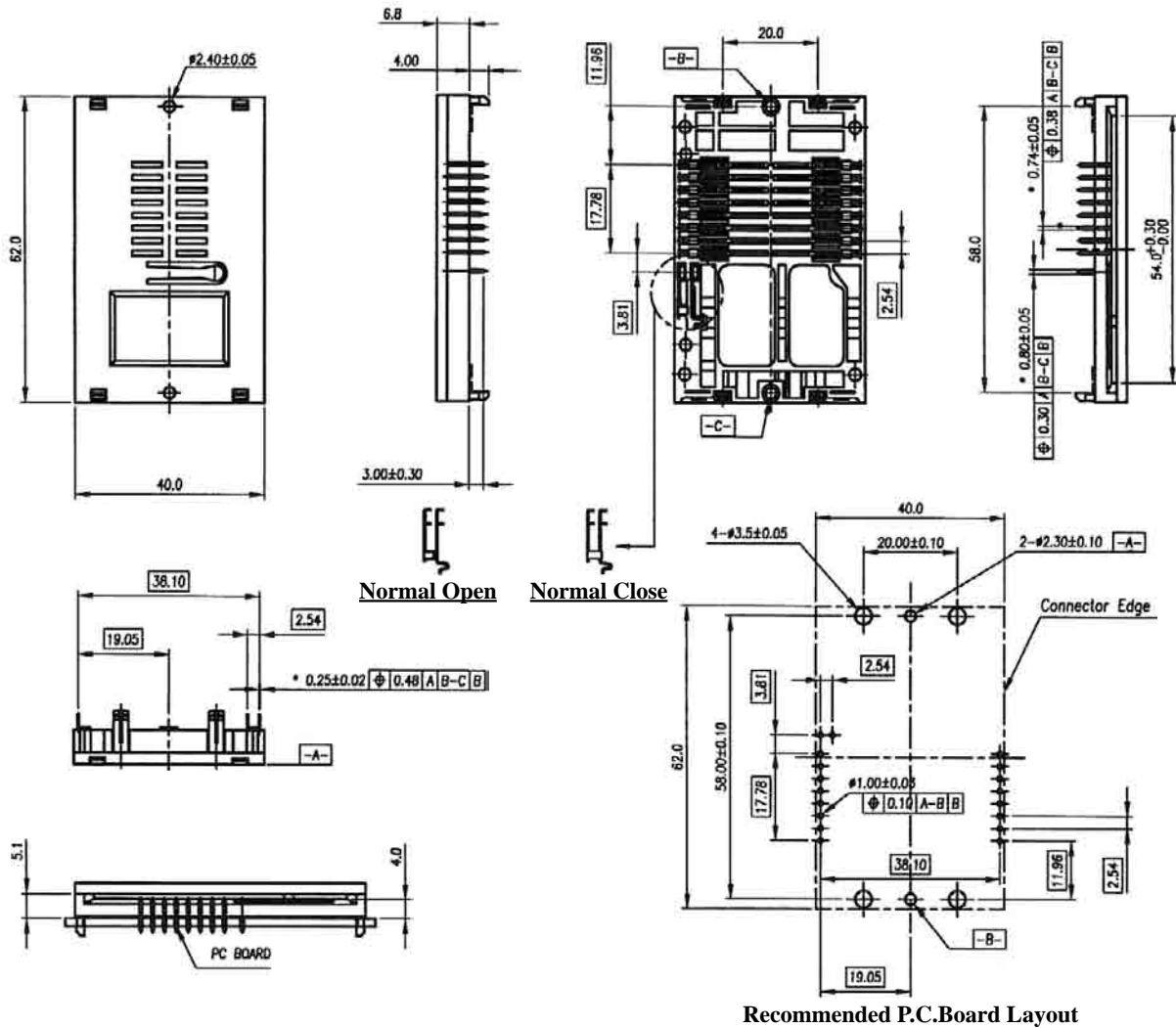
MATERIAL:

Cover: PBT(UL94V-0) rated

Clutch: PPS(UL94V-0) rated

Contact: Phosphor Bronze

Housing: PBT(UL94V-0) rated



ORDERING INFORMATION:

P/N M C D - $\frac{X X X}{1}$ S I $\frac{X X}{2}$

1. SWITCH CONTACT TYPE:
"828" NORMAL OPEN
"829" NORMAL CLOSE
2. CONTACT FINISH:
"15" 15 MICROINCH GOLD
"30" 30 MICROINCH GOLD

MEMORY STICK 10 PIN CARD CONNECTOR STAND OFF 2.00MM TYPE

SPECIFICATION:

Withstanding Voltage: 1000V DC Max. for 1 min.

Insulation R.: 500M Ω

Voltage Rating: 100V AC

Current Rating: 0.5A AC/DC Max.

Contact R.: 40m Ω Max.

Operating Temperature: -20 $^{\circ}$ c ~ +60 $^{\circ}$ c

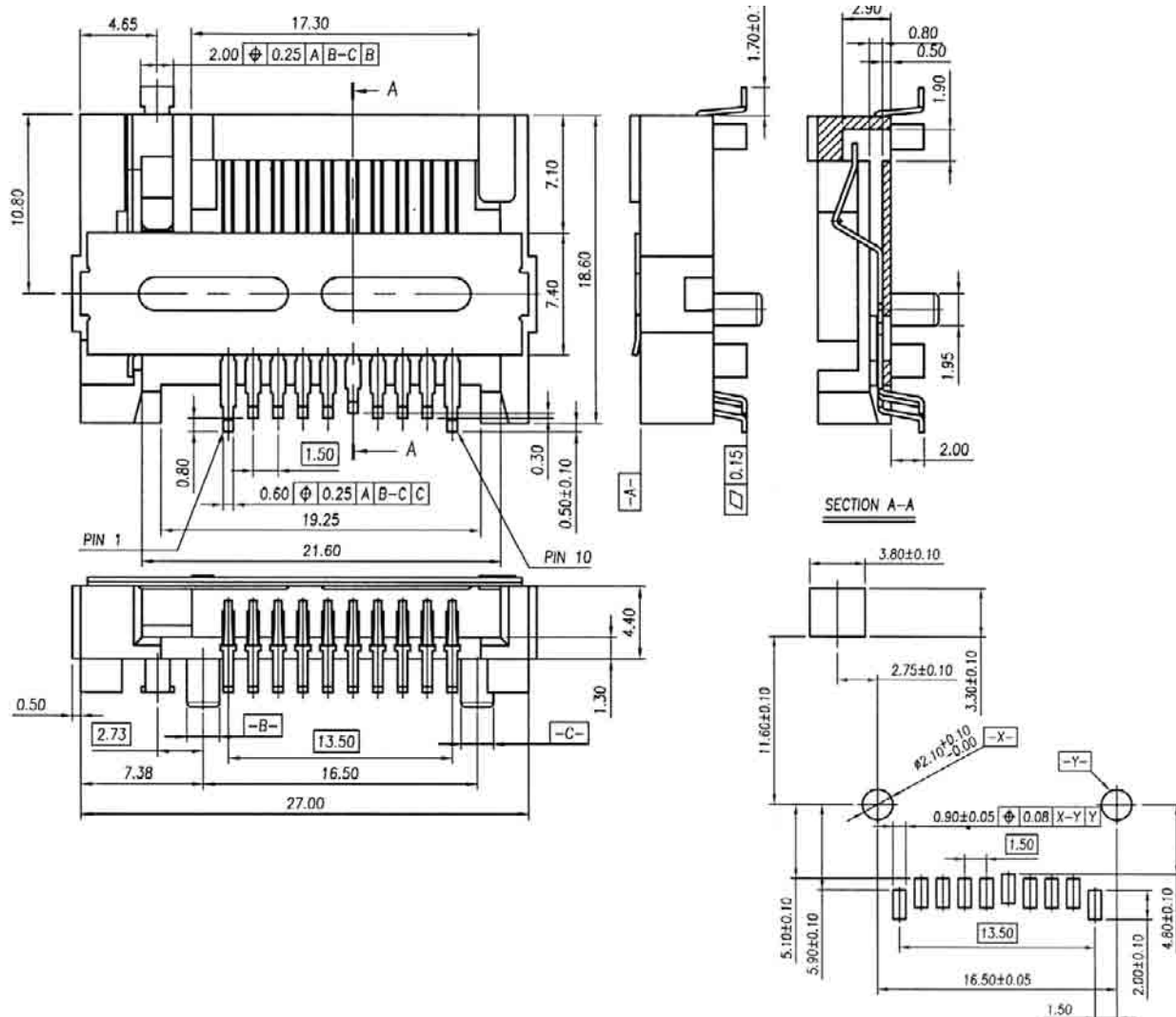
Insertion Cycles: 10000 times

* RoHS & REACH compliant.

MATERIAL:

Contact: Copper Alloy

Housing: LCP, Glass fiber (UL94V-0)



Recommended P.C.Board Layout

ORDERING INFORMATION:

P/N M C D - 7 3 3 M S $\frac{X}{I}$

1. CONTACT FINISH:

"01" GOLD FLASH

"05" 05 MICROINCH GOLD

"10" 10 MICROINCH GOLD

"15" 15 MICROINCH GOLD

SMART MEDIA 22 PIN CARD CONNECTOR WITH PROTECTOR H= 3.20MM

SPECIFICATION:

Withstanding Voltage: 500V AC Max for 1 min.

Insulation R.: 1000MΩ

Voltage Rating: 100V AC

Current Rating: 1A AC/DC Max.

Contact R.: 40mΩ Max.

Operating Temperature: -20°C ~ +60°C

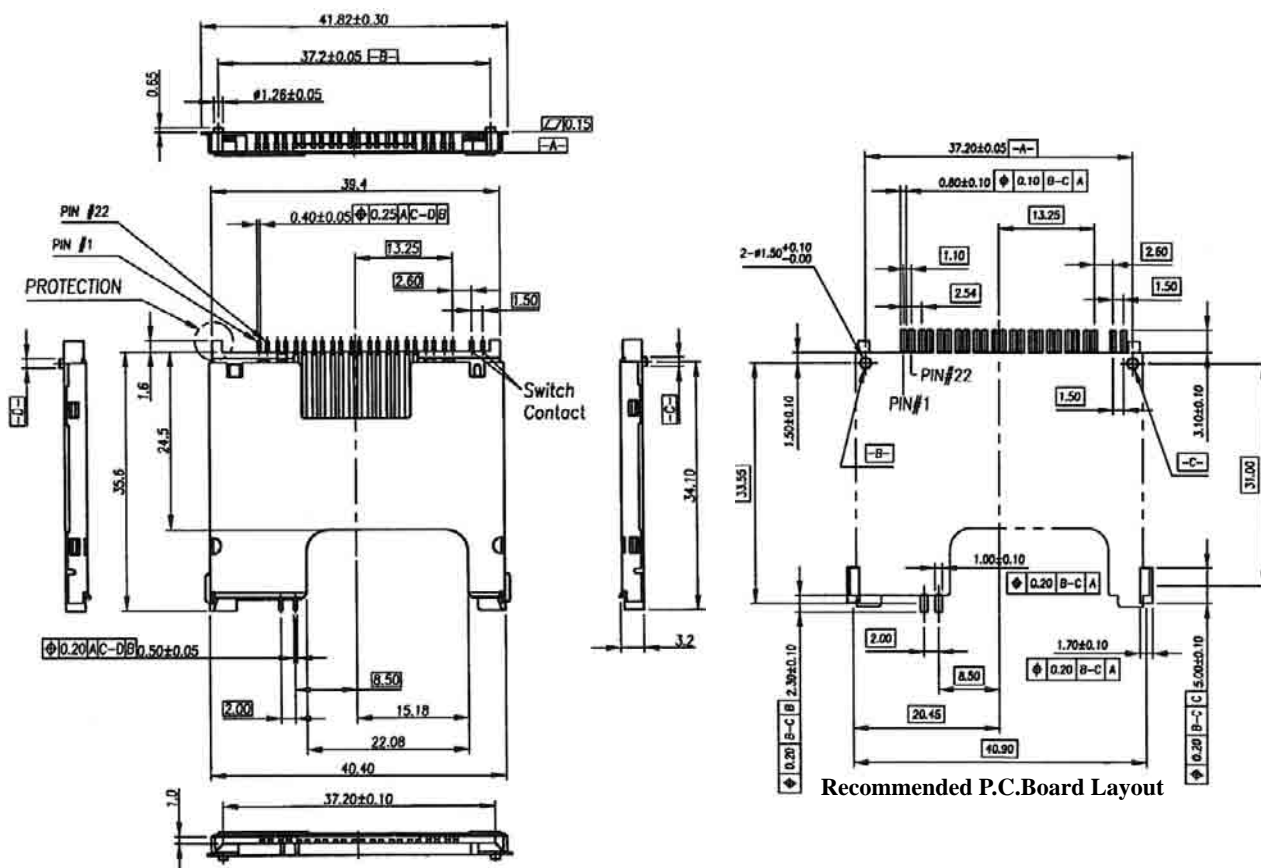
Insertion Cycles: 10000 times

* RoHS & REACH compliant.

MATERIAL:

Contact: Phosphor Bronze

Housing: High Temperature Plastic
(UL94V-0)



ORDERING INFORMATION:

P/N M C D - X X X S M X X

1. SWITCH TYPE:
 "607" W/O SWITCH
 "608" WITH SWITCH NORMAL OPEN
 "609" WITH SWITCH NORMAL CLOSE
2. CONTACT FINISH:
 "15" 15 MICROINCH GOLD

XD PICTURE 19 PIN CARD CONNECTOR PUSH - PUSH TYPE

SPECIFICATION:

Withstanding Voltage: 500V AC Max for 1 min.

Insulation R.: 1000MΩ

Voltage Rating: 100V AC

Current Rating: 0.5A DC

Contact R.: 80mΩ Max.

Operating Temperature: -25°C ~ +90°C

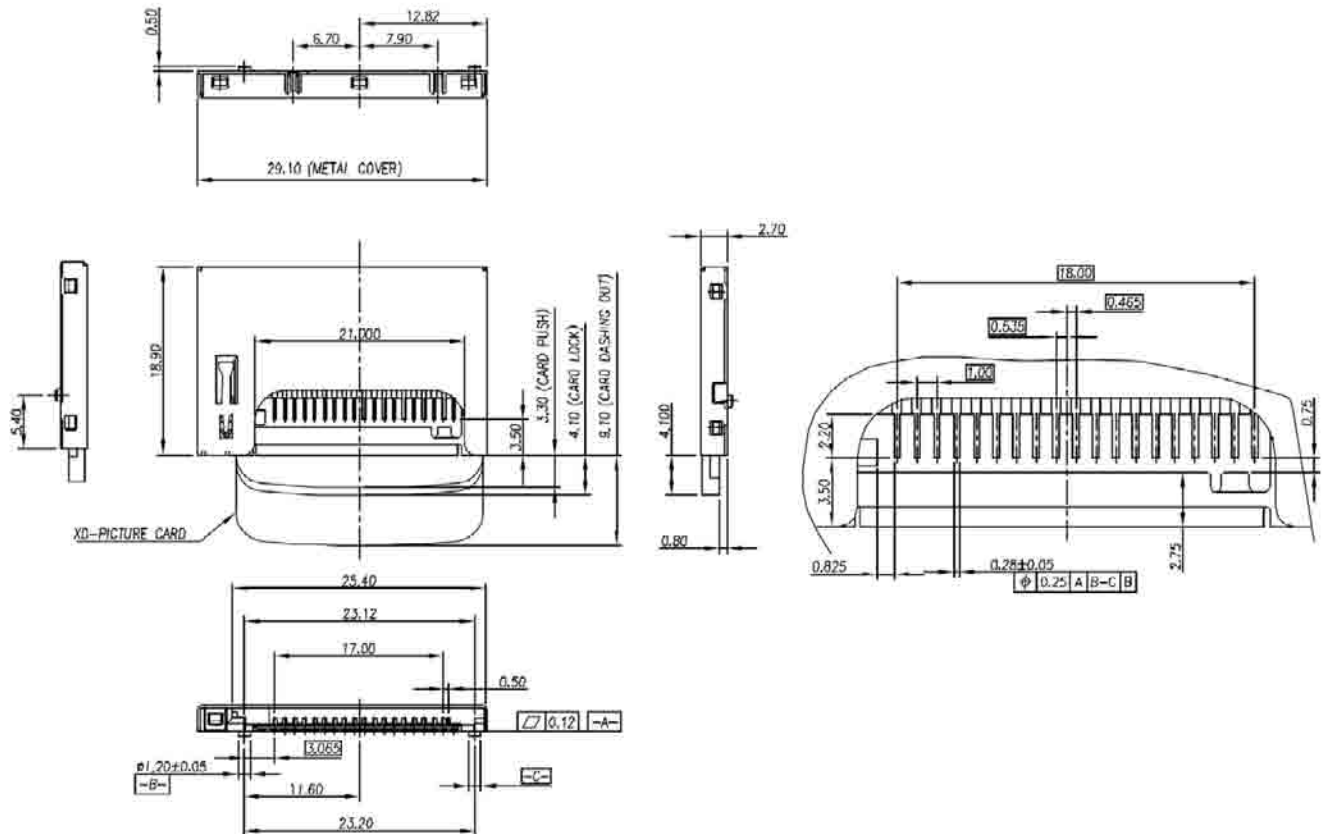
Insertion Cycles: 10000 times

* RoHS & REACH compliant.

MATERIAL:

Contact: Copper Alloy

Housing: High Temperature Plastic
(UL94V-0)



ORDERING INFORMATION:

P/N M C D - 7 4 2 X D $\frac{x}{1}$ - $\frac{x}{2}$

1. CONTACT FINISH:

"05" 05 MICROINCH GOLD

"10" 10 MICROINCH GOLD

"15" 15 MICROINCH GOLD

2. PACKAGE OPTION:

"0" TRAY

"R" TAPE & REEL

XD PICTURE 21 PIN CARD CONNECTOR STANDARD TYPE

SPECIFICATION:

Withstanding Voltage: 500V AC Max for 1 min.

Insulation R.: 1000MΩ

Voltage Rating: 100V AC

Current Rating: 0.5A DC

Contact R.: 40mΩ Max.

Operating Temperature: -25°C ~ +90°C

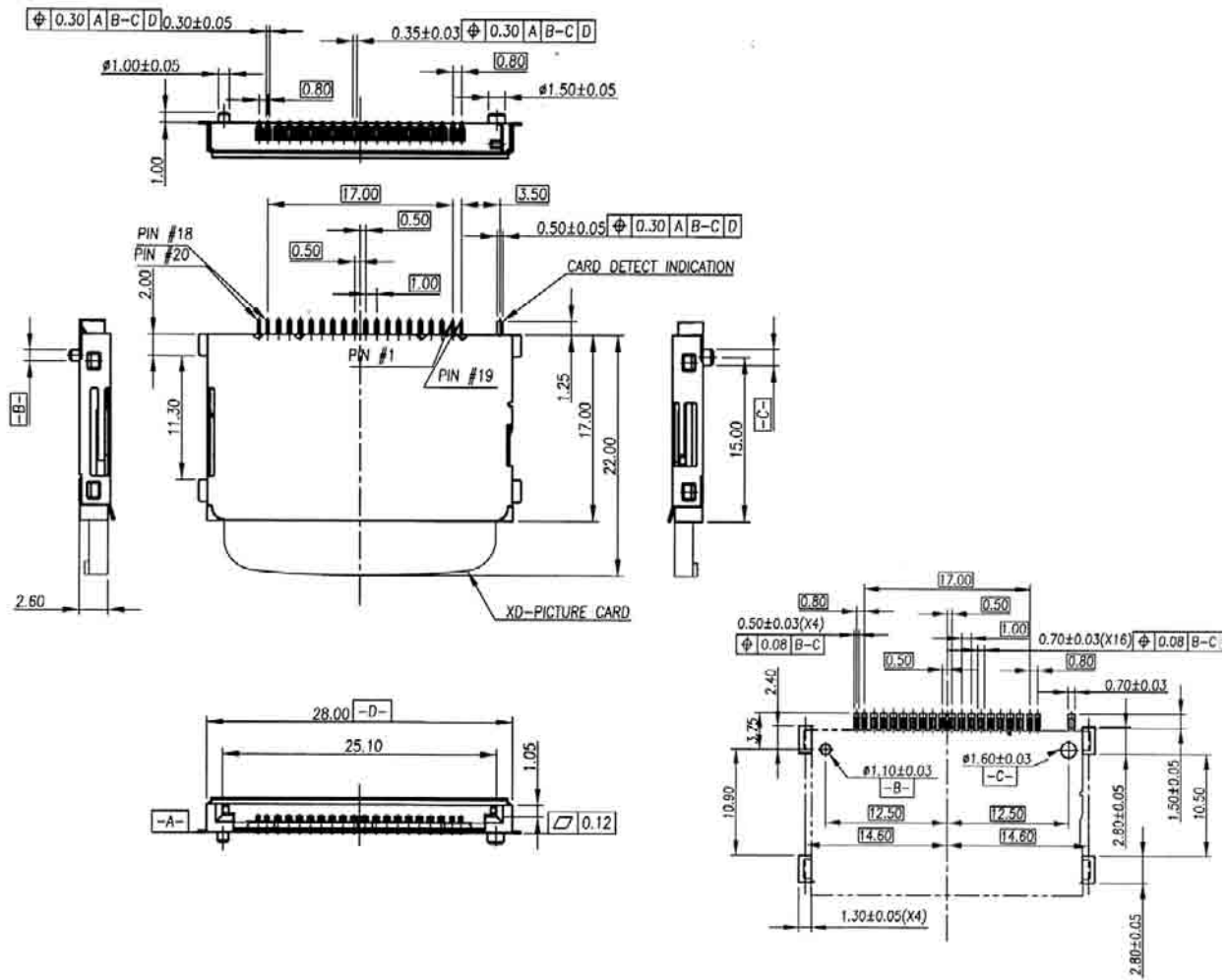
Insertion Cycles: 10000 times

* RoHS & REACH compliant.

MATERIAL:

Contact: Copper Alloy

Housing: LCP+30% G.F (UL94V-0)



**Recommended P.C.Board Layout
(TOP VIEW)**

ORDERING INFORMATION:

P/N M C D - 7 4 1 X D $\frac{x}{1}$ - $\frac{x}{2}$

1. CONTACT FINISH:
 "05" 05 MICROINCH GOLD
 "10" 10 MICROINCH GOLD
 "15" 15 MICROINCH GOLD
2. PACKAGE OPTION:
 "0" TRAY
 "R" TAPE & REEL

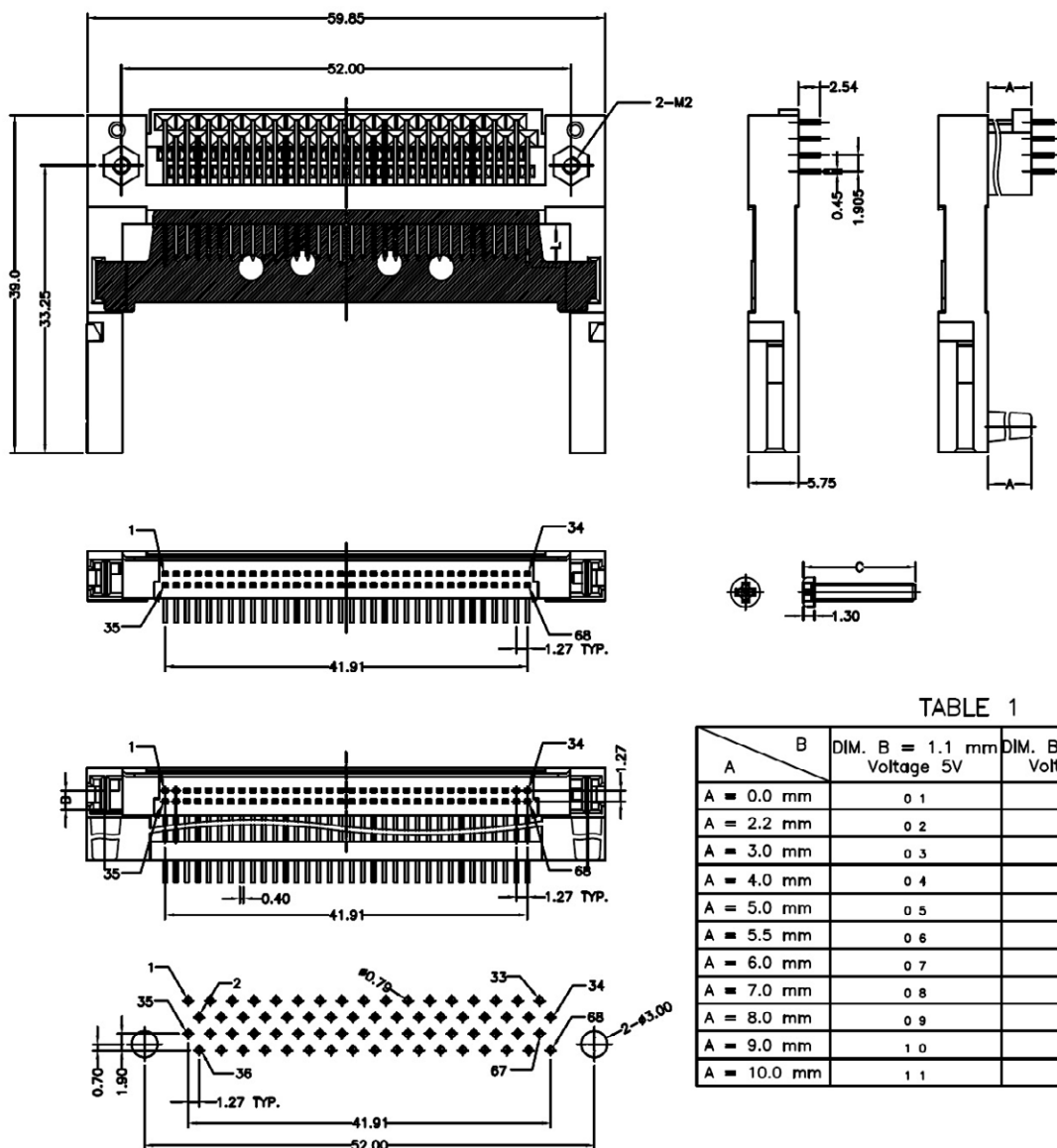
PCMCIA 68 PIN MALE CARD CONNECTOR RIGHT ANGLE TYPE WITH COVER

SPECIFICATIONS

Current Rating: 0.5 AMP Max
 Dielectric Withstanding: 500VAC For 1 Minute
 Insulation R.: 1000MΩ Min At DC 500V
 Operating Temperature: -40°C ~ +85°C
 * RoHS & REACH compliant.

MATERIAL:

Housing: Thermoplastic(UL 94V-0)
 Contacts: Copper Alloy, Nickel Plating



Recommended P.C.Board Layout

TABLE 1

A \ B	DIM. B = 1.1 mm Voltage 5V	DIM. B = 2.2 mm Voltage 3.3V	DIM.C
A = 0.0 mm	0 1	1 2	8.00
A = 2.2 mm	0 2	1 3	10.00
A = 3.0 mm	0 3	1 4	11.00
A = 4.0 mm	0 4	1 5	12.00
A = 5.0 mm	0 5	1 6	13.00
A = 5.5 mm	0 6	1 7	14.00
A = 6.0 mm	0 7	1 8	14.00
A = 7.0 mm	0 8	1 9	15.00
A = 8.0 mm	0 9	2 0	16.00
A = 9.0 mm	1 0	2 1	17.00
A = 10.0 mm	1 1	2 2	18.00

ORDERING INFORMATION:

P/N M C D - 2 3 9 P C $\frac{X X}{1} - \frac{X X}{2}$

1.CONTACT FLASH:

- "01" GOLD FLASH
- "05" 05 MICROINCH GOLD
- "10" 10 MICROINCH GOLD
- "15" 15 MICROINCH GOLD
- "30" 30 MICROINCH GOLD

2.CODE OF DIM. A,B,C (SEE TABLE 1):

- 01, 02, 03, 04, 05, 06, 07, 08,
- 09, 10, 11, 12, 13, 14, 15, 16,
- 17, 18, 19, 20, 21, 22

PCMCIA 68 PIN MALE CARD CONNECTOR ASSEMBLY TYPE

SPECIFICATIONS

Current Rating: 0.5 AMP Max

Dielectric Withstanding: 500VAC For 1 Minute

Insulation R.: 1000MΩ Min At DC 500V

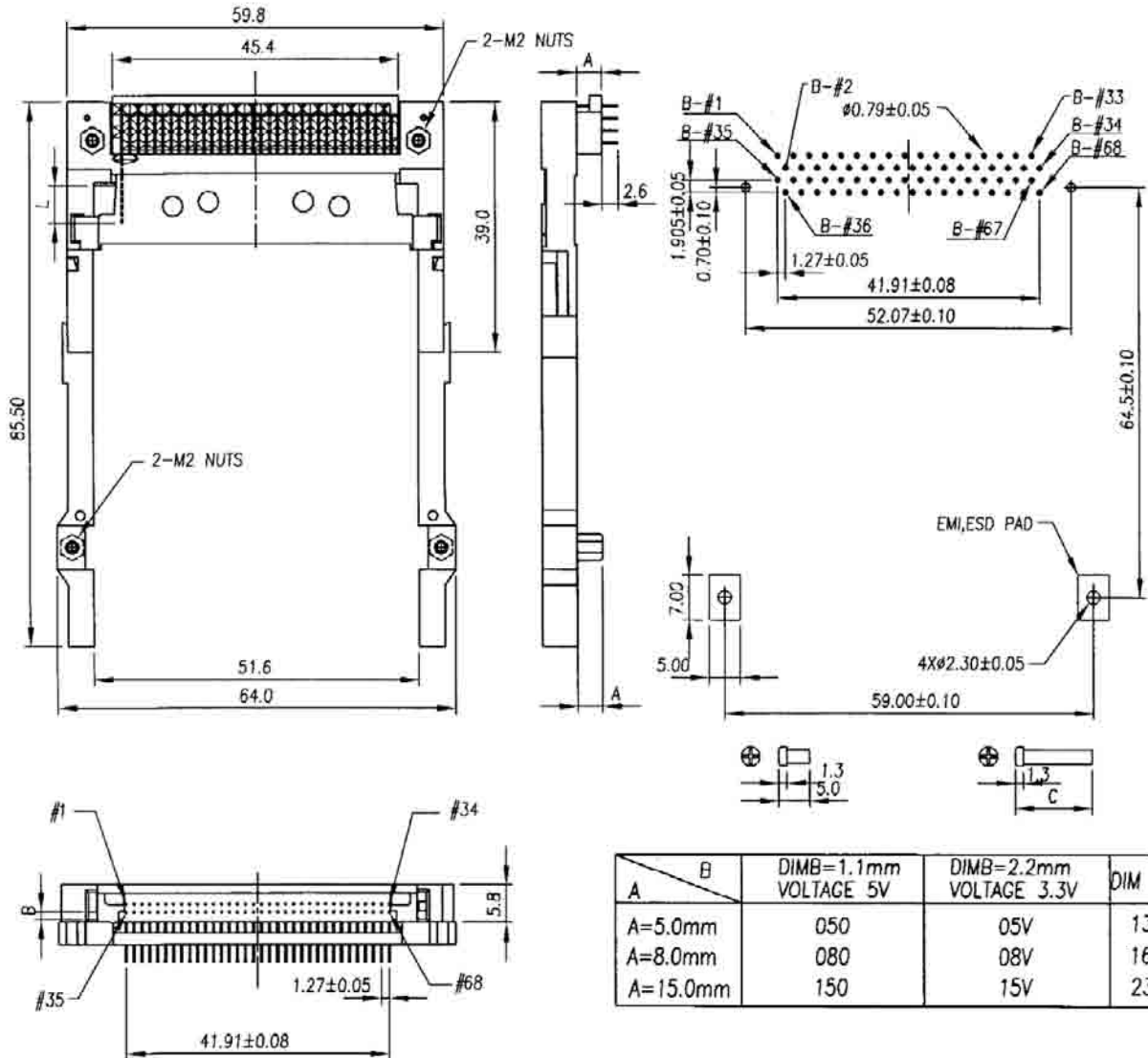
Operating Temperature: -40°C ~ +85°C

* RoHS & REACH compliant.

MATERIAL:

Insulator: LCP, PBT(UL 94V-0)

Contacts: Copper Alloy



ORDERING INFORMATION:

P/N MCD - 245PC $\frac{XX}{1} - \frac{XXX}{2}$

1.CONTACT FLASH:

"01" GOLD FLASH

"15" 15 MICROINCH GOLD

2.CODE OF DIM. A,B,C (SEE TABLE):

050, 080, 150, 05V, 08V, 15V

PCMCIA 68 PIN MALE CARD CONNECTOR WITH LONG RIGHT EJECTOR

SPECIFICATIONS

Current Rating: 0.5 AMP Max

Dielectric Withstanding: 500VAC For 1 Minute

Insulation R.: 1000MΩ Min At DC 500V

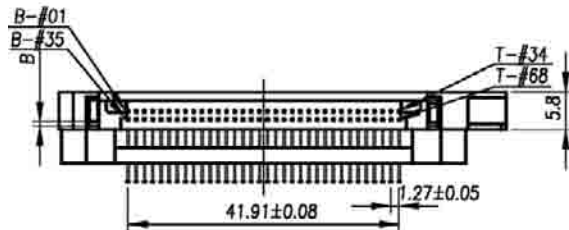
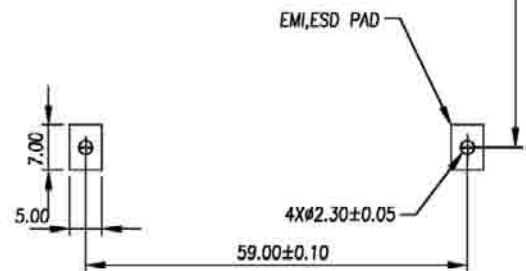
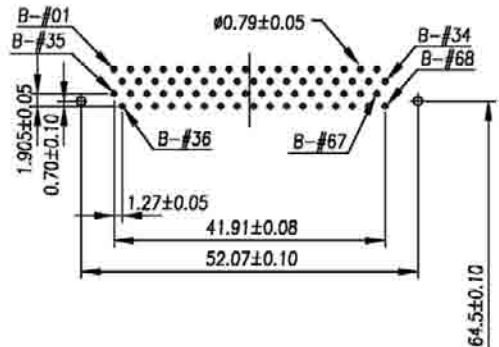
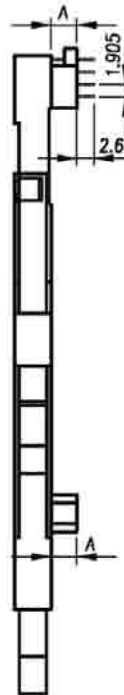
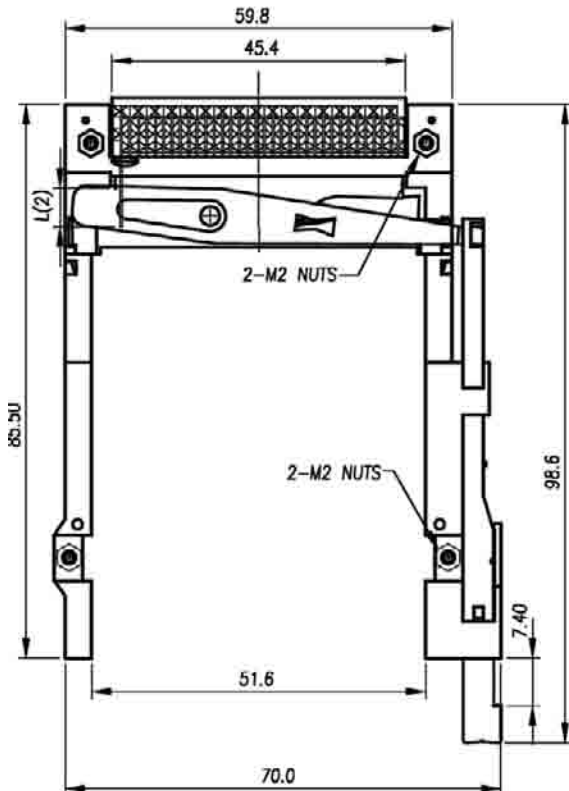
Operating Temperature: -40°C ~ +85°C

* RoHS & REACH compliant.

MATERIAL:

Insulator: LCP, PBT(UL 94V-0)

Contacts: Copper Alloy



A \ B	DIMB=1.1mm VOLTAGE 5V	DIMB=2.2mm VOLTAGE 3.3V	DIM "C"
A=0.0mm	000	00V	8.3
A=2.2mm	022	V22	10.3
A=3.0mm	030	03V	11.3
A=4.0mm	040	04V	12.3
A=5.0mm	050	05V	13.3
A=5.5mm	055	V55	13.3
A=6.0mm	060	06V	14.3
A=7.0mm	070	07V	15.3
A=8.0mm	080	08V	16.3
A=9.0mm	090	09V	17.3
A=10.0mm	100	10V	18.3

ORDERING INFORMATION:

P/N M C D - 2 4 6 P C $\frac{X X}{1}$ - $\frac{X X X}{2}$

1.CONTACT FLASH:

"01" GOLD FLASH

"15" 15 MICROINCH GOLD

"30" 30 MICROINCH GOLD

2.CODE OF DIM. A,B,C (SEE TABLE):

000, 022, 030, 040, 050, 055, 060, 070,

080, 090, 100, 00V, V22, 03V, 04V,

05V, V55, 06V, 07V, 08V, 09V, 10V

2 IN 1 CARD CONNECTOR MANUAL TYPE FOR MICRO SD & M2 CARD USE

SPECIFICATION:

Withstanding Voltage: 500V AC Max for 1 min.

Insulation R.: 1000MΩ

Voltage Rating: 100V AC

Current Rating: 0.5A AC/DC Max.

Contact R.: 100mΩ Max.

Operating Temperature: -25°C ~ +90°C

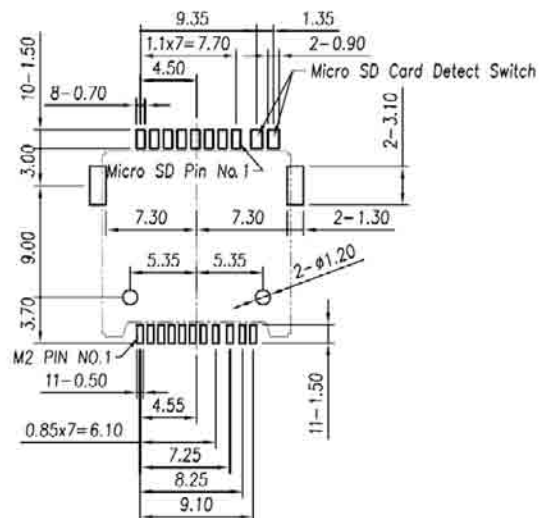
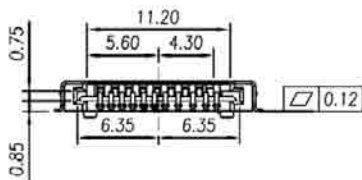
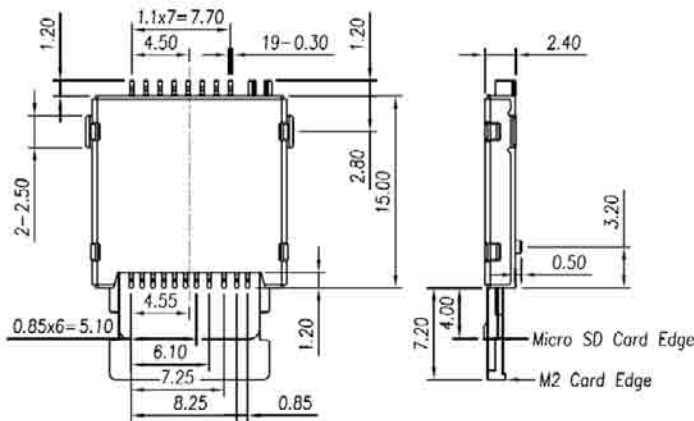
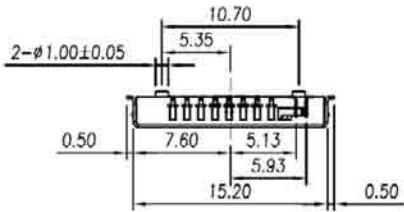
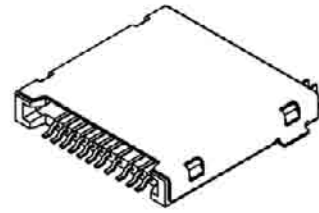
Insertion Cycles: 10000 times

* RoHS & REACH compliant.

MATERIAL:

Contact: Phosphor Bronze

Housing: High Temperature Plastic
(UL94V-0)



**Recommended P.C. Board Layout
(TOP VIEW)**

ORDERING INFORMATION:

P/N MCD-003MM $\frac{X}{1} - \frac{X}{2}$

1..CONTACT FINISH:

"05" 5 MICROINCH GOLD

"15" 15 MICROINCH GOLD

"30" 30 MICROINCH GOLD

2.PACKAGE OPTION:

"R" TAPE & REEL

"0" TRAY

2 IN 1 CARD CONNECTOR FOR SIM & MINI SD CARD USE

SPECIFICATIONS

Current Rating: 1A Max

Dielectric Withstanding: 250VAC For 1 Minute

Contact Resistance: 30mΩ Max

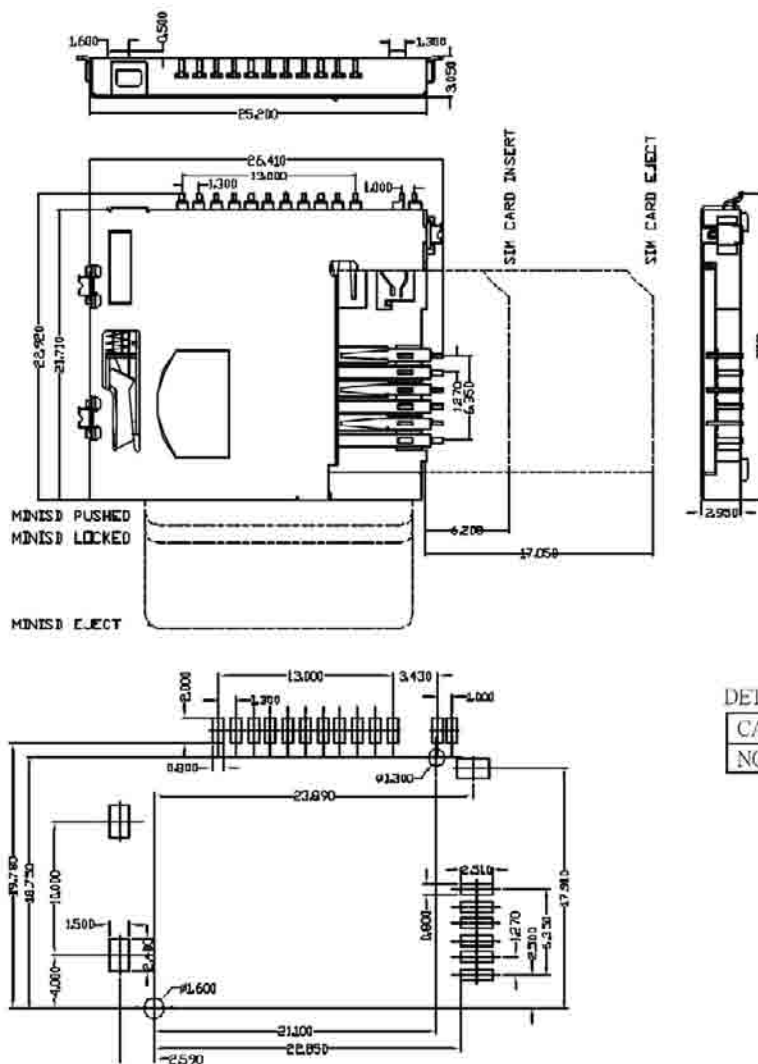
Insulation R.: 1000MΩ Min

Operating Temperature: -55°C ~ +105°C

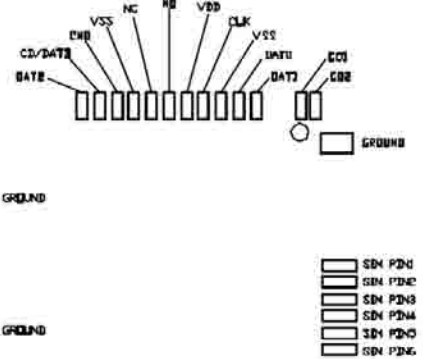
MATERIAL:

Contact: Phosphor Bronze

Housing: High Temperature Plastic
(UL94V-0)



Recommended P.C.Board Layout



DETECT SWITCH

CARD INSERTING POSITION	CLOSED
NO CARD POSITION	OPEN

ORDERING INFORMATION:

P/N M C D - XXX M M XX
1 2

- DETECT SWITCH:
"021" CLOSE
"022" OPEN
- CONTACT FINISH:
"01" GOLD FLASH

2 IN 1 CARD CONNECTOR FOR SMC / XD-PICTURE CAED USE

SPECIFICATION:

Withstanding Voltage: 500V AC Max for 1 min.

Insulation R.: 1000MΩ

Voltage Rating: 100V AC

Current Rating: 1A AC/DC Max.

Contact R.: 40mΩ Max.

Operating Temperature: -20°C ~ +60°C

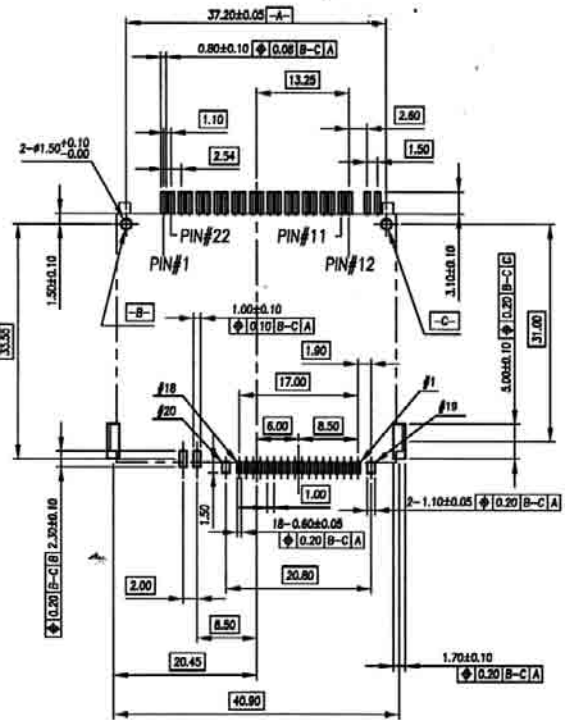
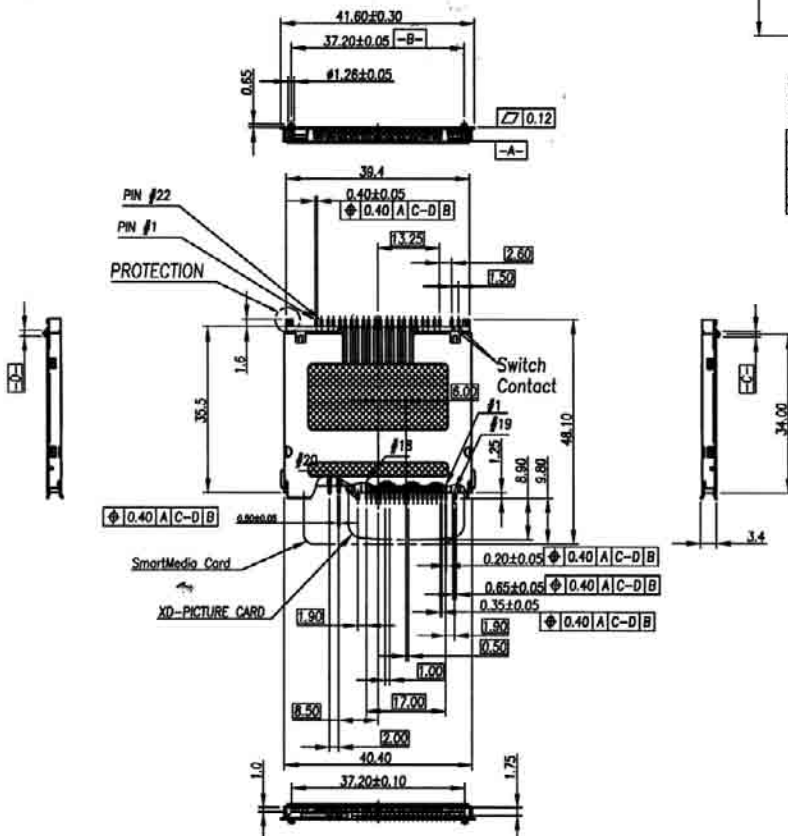
Insertion Cycles: 10000 times

* RoHS & REACH compliant.

MATERIAL:

Contact: Phosphor Bronze

Housing: High Temperature Plastic
(UL94V-0)



Recommended P.C.Board Layout

ORDERING INFORMATION:

P/N M C D - X X X M M X X
1 2

- PROTECTION OPTION:
"012" W/O PROTECTION
"020" WITH PROTECTION
- CONTACT FINISH:
"05" 5 MICROINCH GOLD
"10" 10 MICROINCH GOLD
"15" 15 MICROINCH GOLD

2 IN 1 CARD CONNECTOR REVERSE MOUNT TYPE FOR MS & MS DUO CARD USE

SPECIFICATIONS

Current Rating: 0.5AMP Max

Dielectric Withstanding: 250VAC For 1 Minute

Contact Resistance: 40mΩ Max

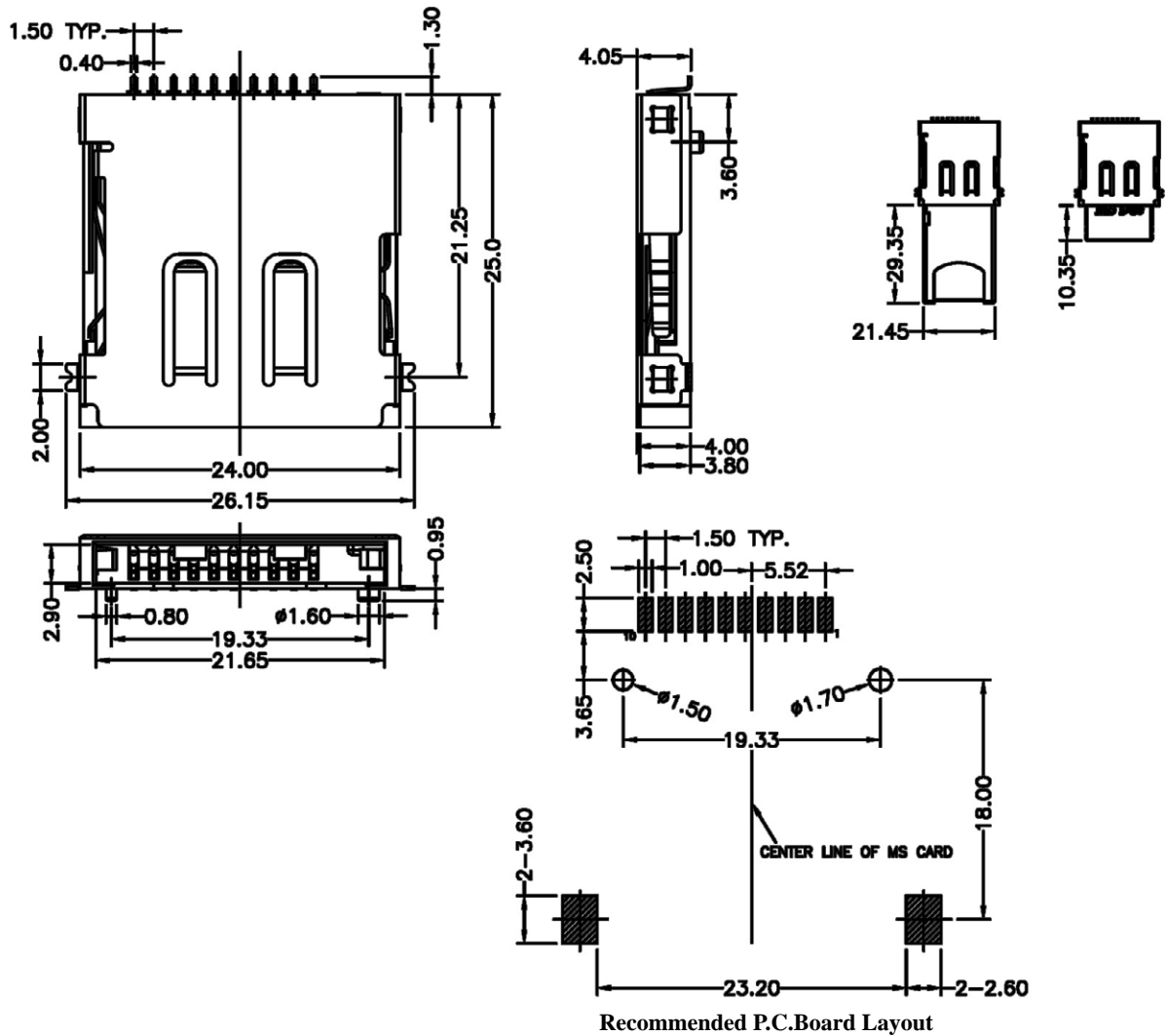
Insulation R.: 1000MΩ Min

Operating Temperature: -40°C ~ +70°C

MATERIAL:

Contact: Phosphor Bronze

Housing: High Temperature Plastic
(UL94V-0)



ORDERING INFORMATION:

P/N M C D - 0 2 4 M M $\frac{x}{x}$
I

1.CONTACT FINISH:

"01" GOLD FLASH

"05" 5 MICROINCH GOLD

"10" 10 MICROINCH GOLD

"15" 15 MICROINCH GOLD

"30" 30 MICROINCH GOLD

3 IN 1 CARD CONNECTOR MANUAL TYPE FOR SD / MMC / MS CARD USE

SPECIFICATION:

Withstanding Voltage: 500V AC Max for 1 min.

Insulation R.: 1000MΩ

Voltage Rating: 100V AC

Current Rating: 0.5A AC/DC Max.

Contact R.: 40mΩ Max.

Operating Temperature: -25°C ~ +90°C

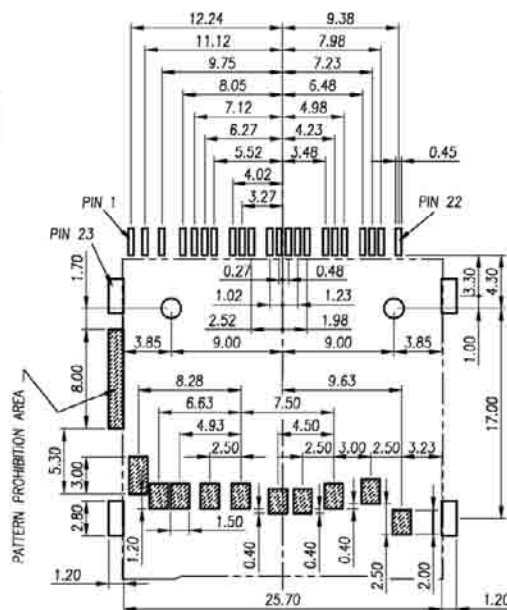
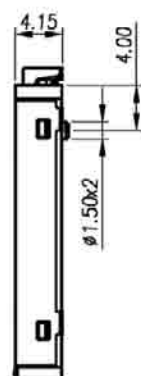
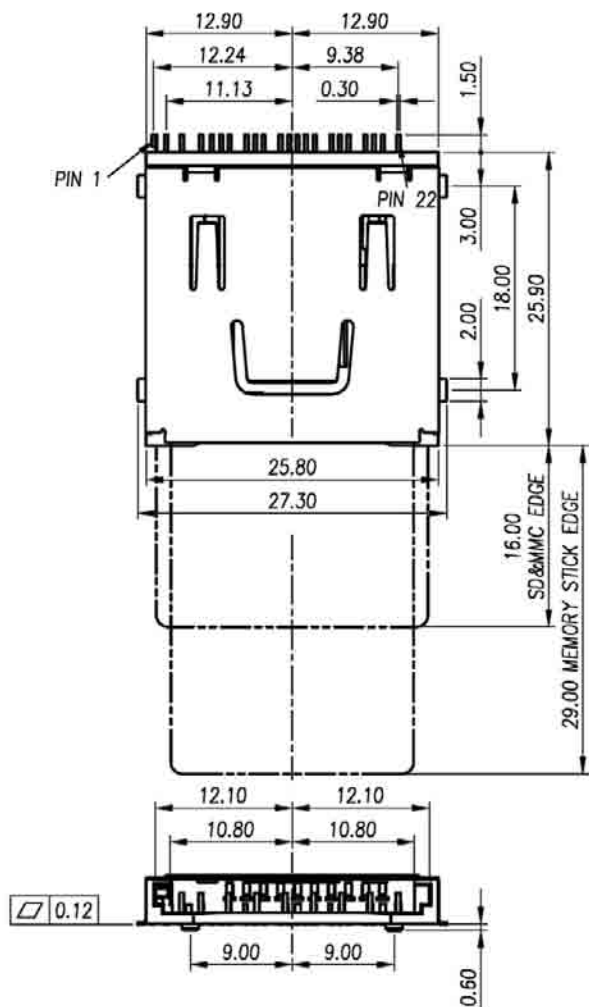
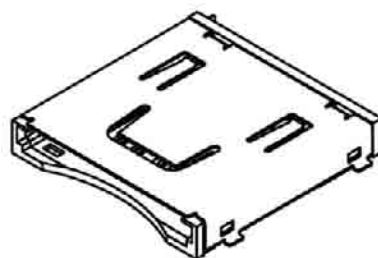
Insertion Cycles: 10000 times

* RoHS & REACH compliant.

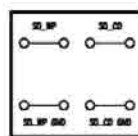
MATERIAL:

Contact: Phosphor Bronze

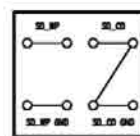
Housing: High Temperature Plastic
(UL94V-0)



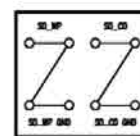
Recommended P.C. Board Layout



WITHOUT CARD



CARD INSERTED
WRITE PROTECT : LOCK



CARD INSERTED
WRITE PROTECT : UNLOCK

ORDERING INFORMATION:

P/N M C D - 0 0 8 M M $\frac{x}{1} - \frac{x}{2}$

1.CONTACT FINISH:

"01" GOLD FLASH

"05" 5 MICROINCH GOLD

"10" 10 MICROINCH GOLD

"15" 15 MICROINCH GOLD

2.PACKAGE OPTION:

"0" TRAY

"R" TAPE & REEL

3 IN 1 CARD CONNECTOR PUSH-PUSH TYPE FOR SD / MMC / MS CARD USE

SPECIFICATION:

Withstanding Voltage: 500V AC Max for 1 min.

Insulation R.: 1000MΩ

Voltage Rating: 100V AC

Current Rating: 1A AC/DC Max.

Contact R.: 40mΩ Max.

Operating Temperature: -20°C ~ +60°C

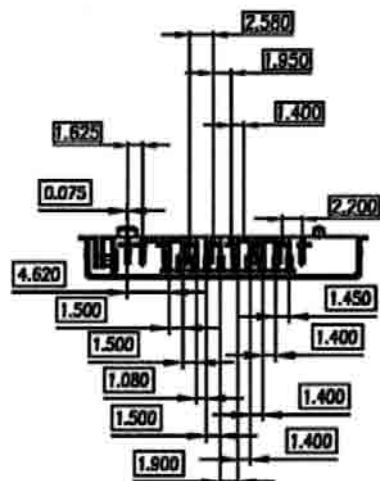
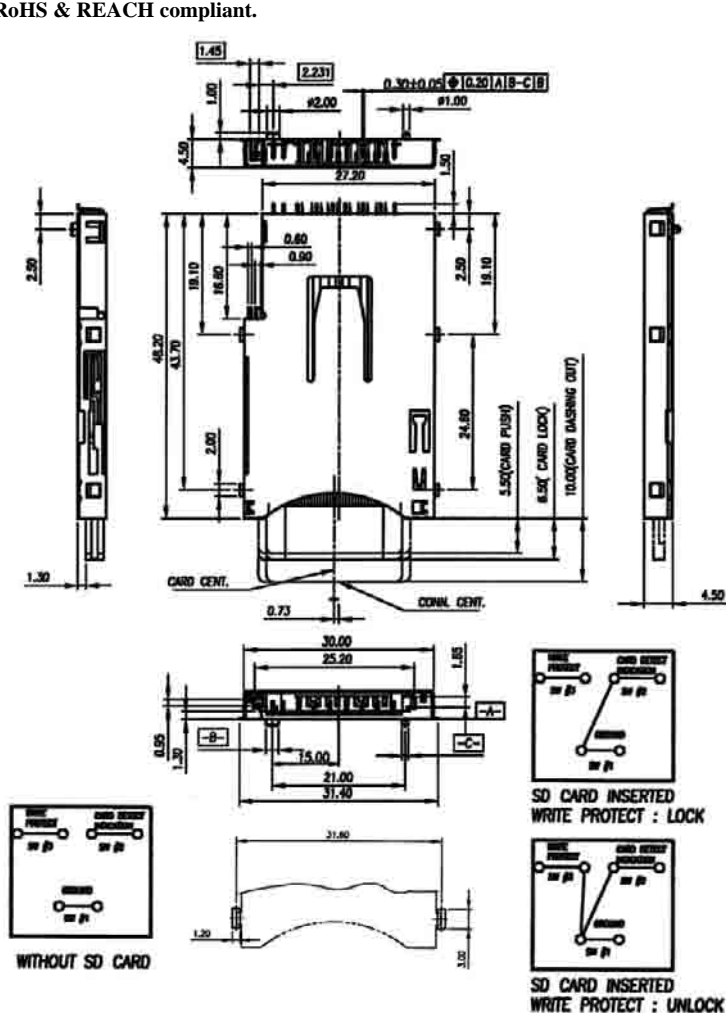
Insertion Cycles: 10000 times

* RoHS & REACH compliant.

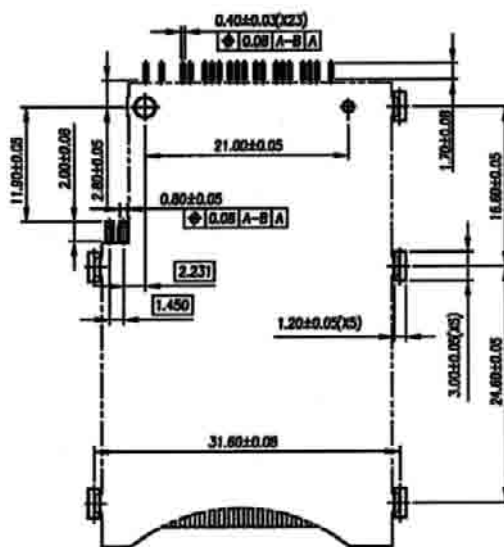
MATERIAL:

Contact: Phosphor Bronze

Housing: High Temperature Plastic
(UL94V-0)



Recommended P.C.Board Layout



ORDERING INFORMATION:

P/N MCD - 010MM $\frac{x}{1} - \frac{x}{2}$

1.CONTACT FINISH:

- "05" 5 MICROINCH GOLD
- "10" 10 MICROINCH GOLD
- "15" 15 MICROINCH GOLD

2.PACKAGE OPTION:

- "0" TRAY
- "R" TAPE & REEL

3 IN 1 CARD CONNECTOR FOR SD / MMC / MS CARD USE

SPECIFICATION:

Withstanding Voltage: 500V AC Max for 1 min.

Insulation R.: 1000MΩ

Voltage Rating: 100V AC

Current Rating: 1A AC/DC Max.

Contact R.: 40mΩ Max.

Operating Temperature: -20°C ~ +60°C

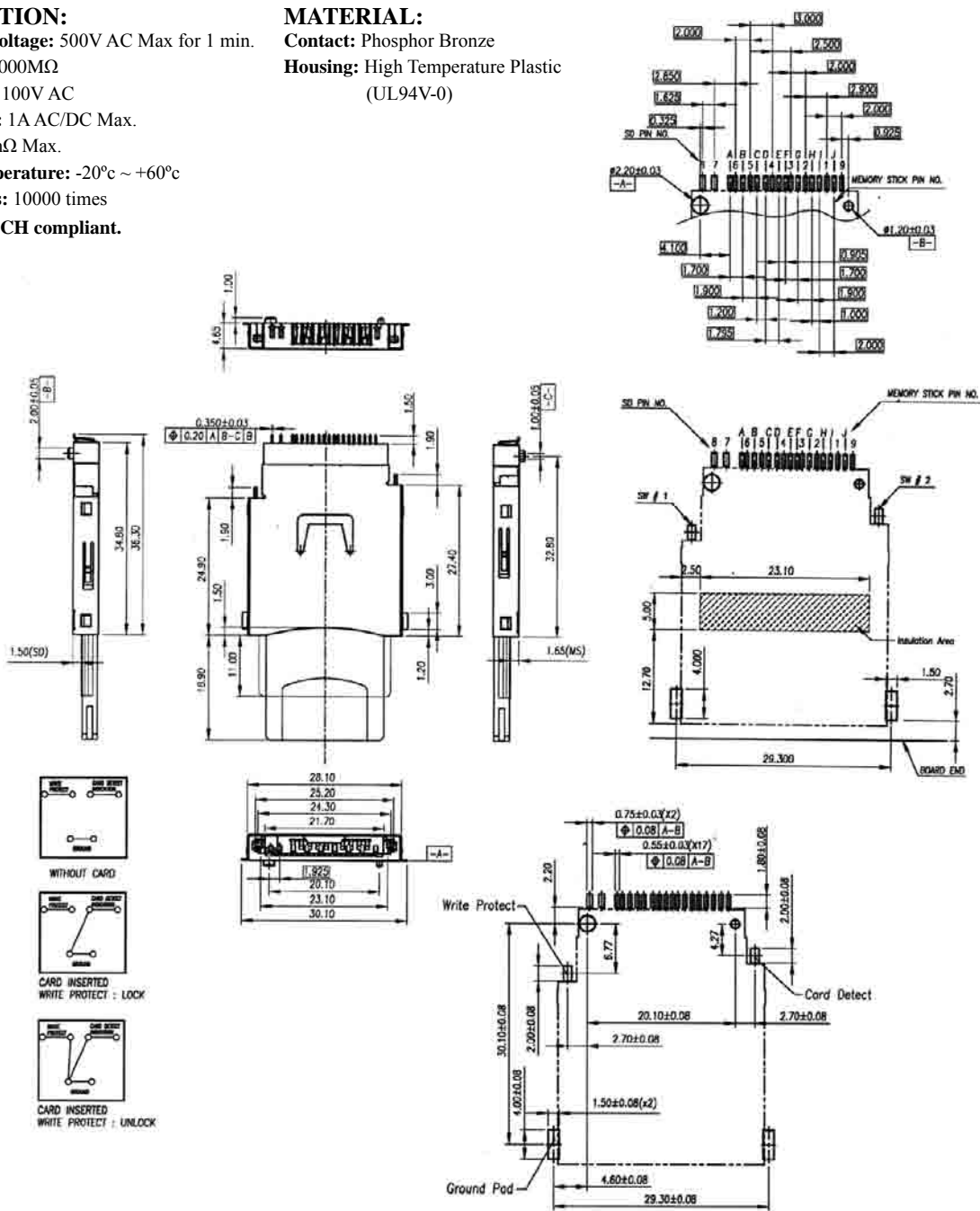
Insertion Cycles: 10000 times

* RoHS & REACH compliant.

MATERIAL:

Contact: Phosphor Bronze

Housing: High Temperature Plastic
(UL94V-0)



Recommended P.C.Board Layout

ORDERING INFORMATION:

P/N MCD-014MM_XX_I

- 1.CONTACT FINISH:
- "05" 5 MICROINCH GOLD
- "10" 10 MICROINCH GOLD
- "15" 15 MICROINCH GOLD

3 IN 1 CARD CONNECTOR FOR SD / MMC / MS CARD USE

SPECIFICATIONS

Current Rating: 0.5AMP Max

Dielectric Withstanding: 250VAC For 1 Minute

Contact Resistance: 100mΩ Max

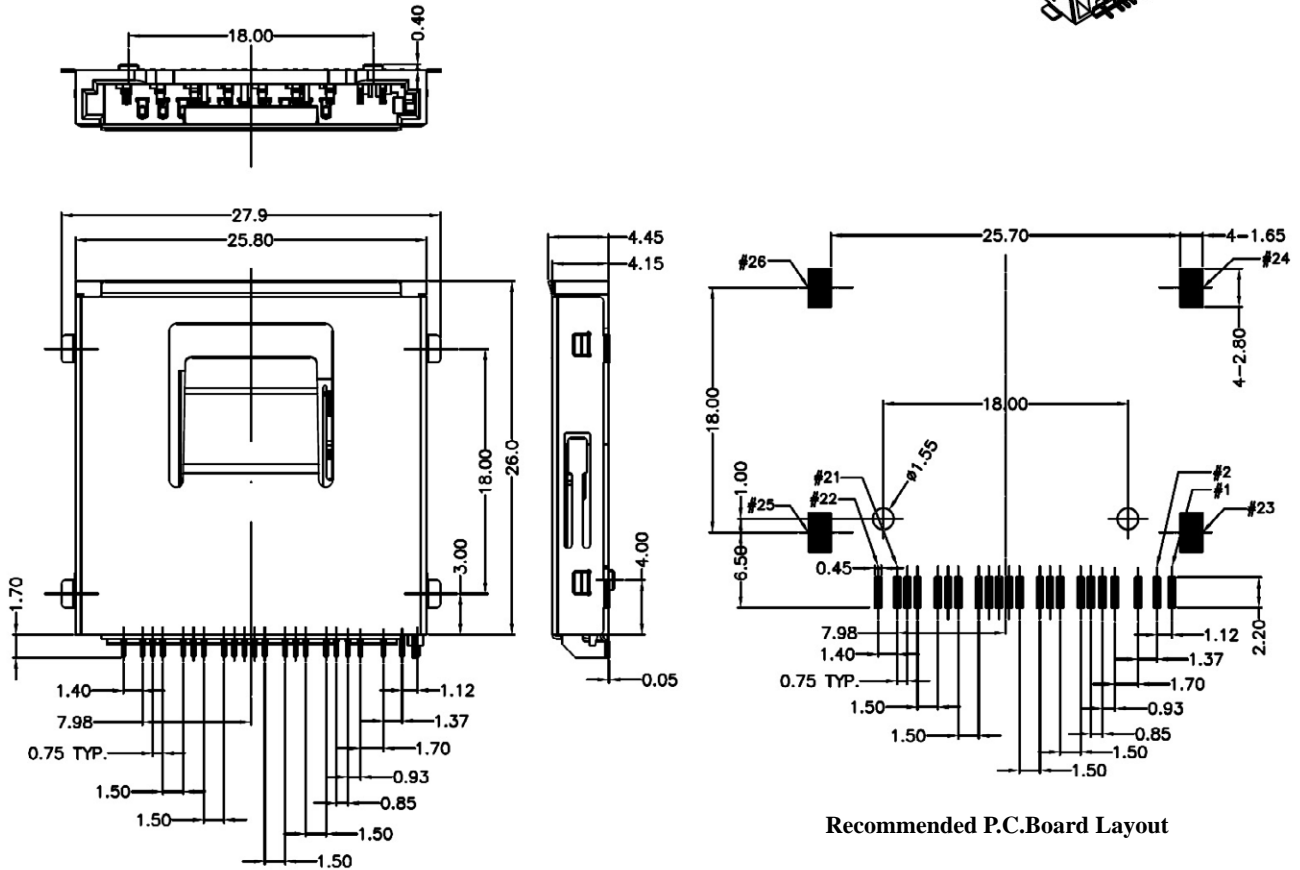
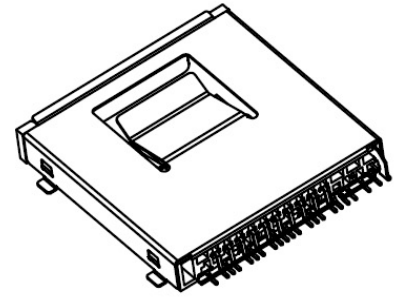
Insulation R.: 1000MΩ Min

Operating Temperature: -20°C ~ +60°C

MATERIAL:

Contact: Phosphor Bronze

Housing: High Temperature Plastic
(UL94V-0)



ORDERING INFORMATION:

P/N M C D - 0 2 5 M M $\frac{x}{x}$ _I

1.CONTACT FINISH:

"01" GOLD FLASH

"05" 5 MICROINCH GOLD

"10" 10 MICROINCH GOLD

"15" 15 MICROINCH GOLD

"30" 30 MICROINCH GOLD

3 IN 1 CARD CONNECTOR FOR MINI SD / RS MMC / MS DUO CARD USE

SPECIFICATION:

Withstanding Voltage: 500V AC Max for 1 min.

Insulation R.: 1000MΩ

Voltage Rating: 100V AC

Current Rating: 1A AC/DC Max.

Contact R.: 40mΩ Max.

Operating Temperature: -20°C ~ +60°C

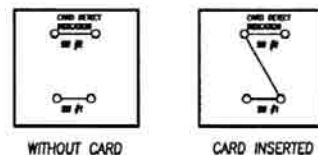
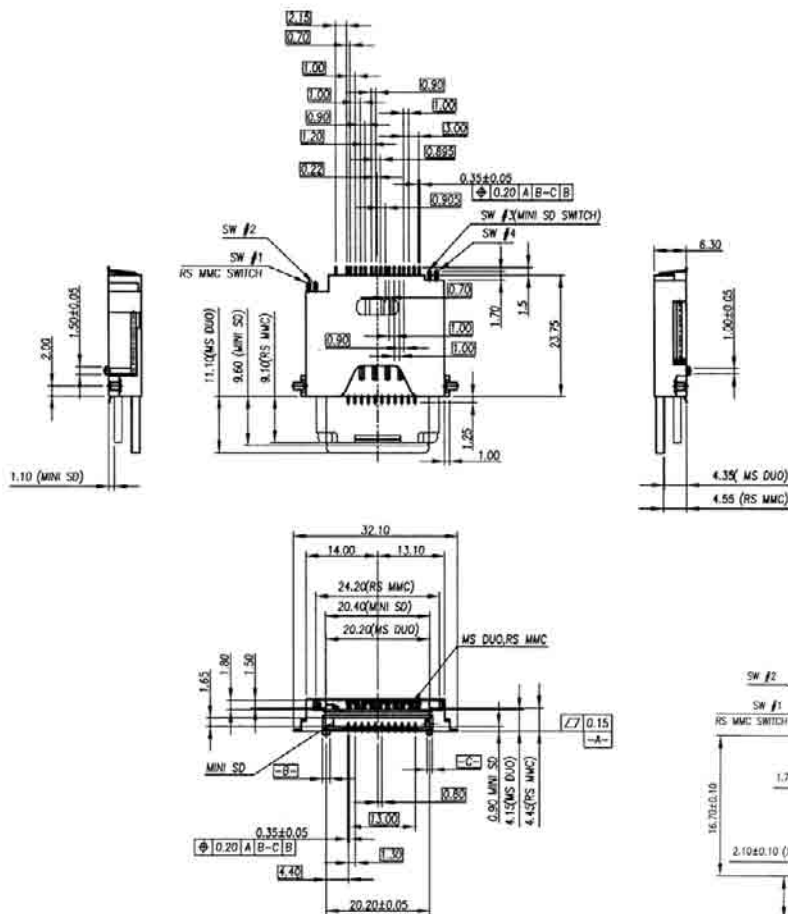
Insertion Cycles: 10000 times

* RoHS & REACH compliant.

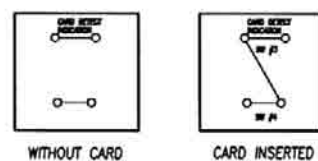
MATERIAL:

Contact: Phosphor Bronze

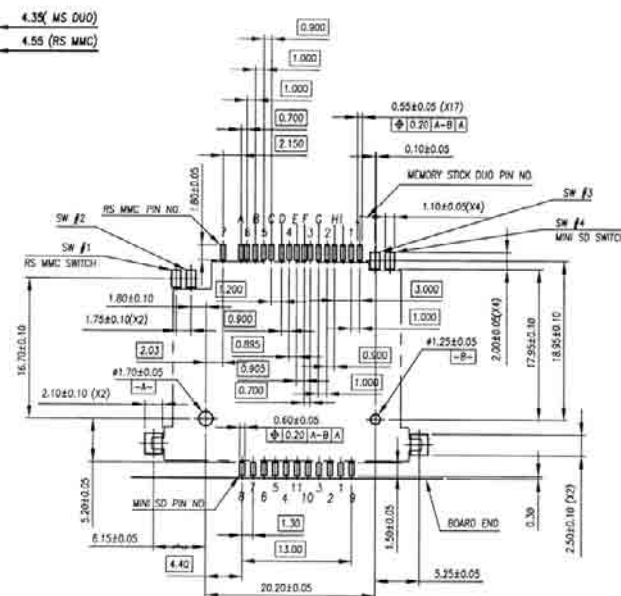
Housing: High Temperature Plastic
(UL94V-0)



RS MMC CARD



MINI SD CARD



Recommended P.C.Board Layout (TOP VIEW)

ORDERING INFORMATION:

P/N MCD-009MM_XX_I

1..CONTACT FINISH:

- "05" 5 MICROINCH GOLD
- "10" 10 MICROINCH GOLD
- "15" 15 MICROINCH GOLD

4 IN 1 CARD CONNECTOR FOR SD / MMC / MC / XD CARD USE

SPECIFICATION:

Withstanding Voltage: 500V AC Max for 1 min.

Insulation R.: 1000MΩ

Voltage Rating: 100V AC

Current Rating: 1A AC/DC Max.

Contact R.: 40mΩ Max.

Operating Temperature: -20°C ~ +60°C

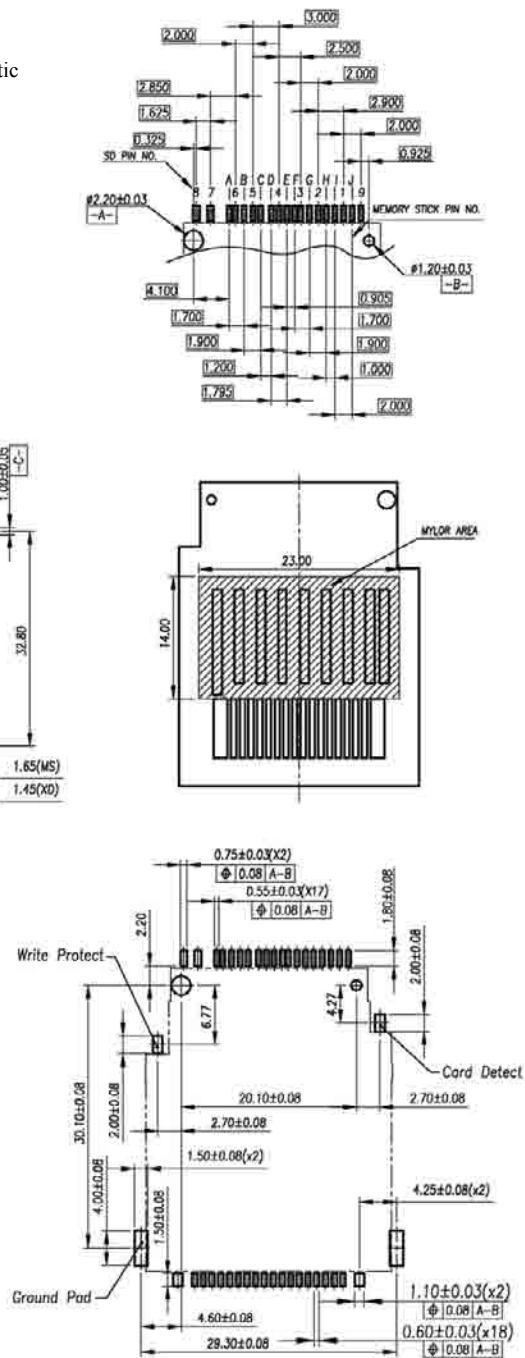
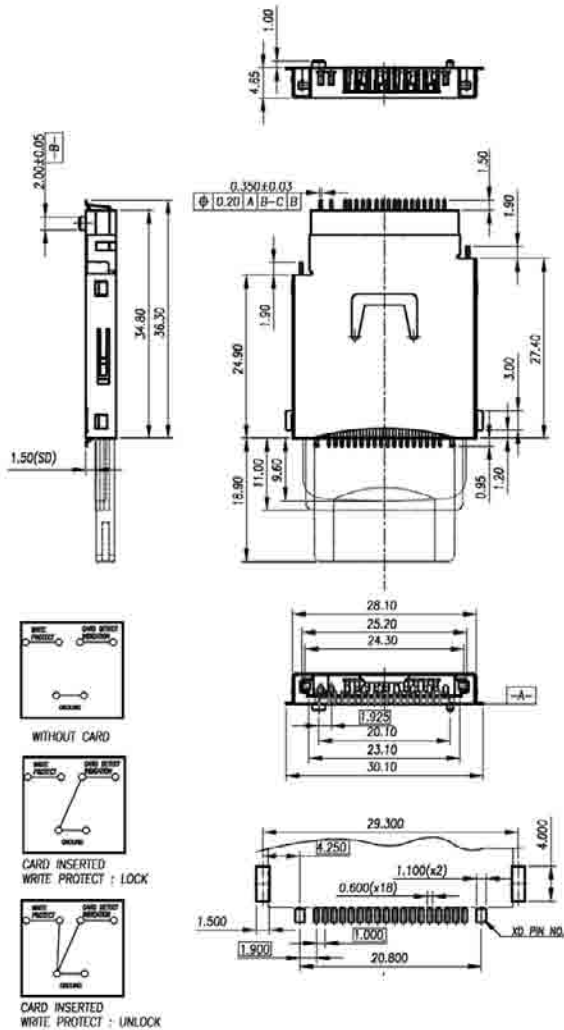
Insertion Cycles: 10000 times

* RoHS & REACH compliant.

MATERIAL:

Contact: Phosphor Bronze

Housing: High Temperature Plastic
(UL94V-0)



Recommended P.C.Board Layout

ORDERING INFORMATION:

P/N M C D - M M

1.MYLAR OPTION:

- "016" W/O MYLAR
- "023" WITH MYLAR

2.CONTACT FINISH:

- "05" 5 MICROINCH GOLD
- "10" 10 MICROINCH GOLD
- "15" 15 MICROINCH GOLD

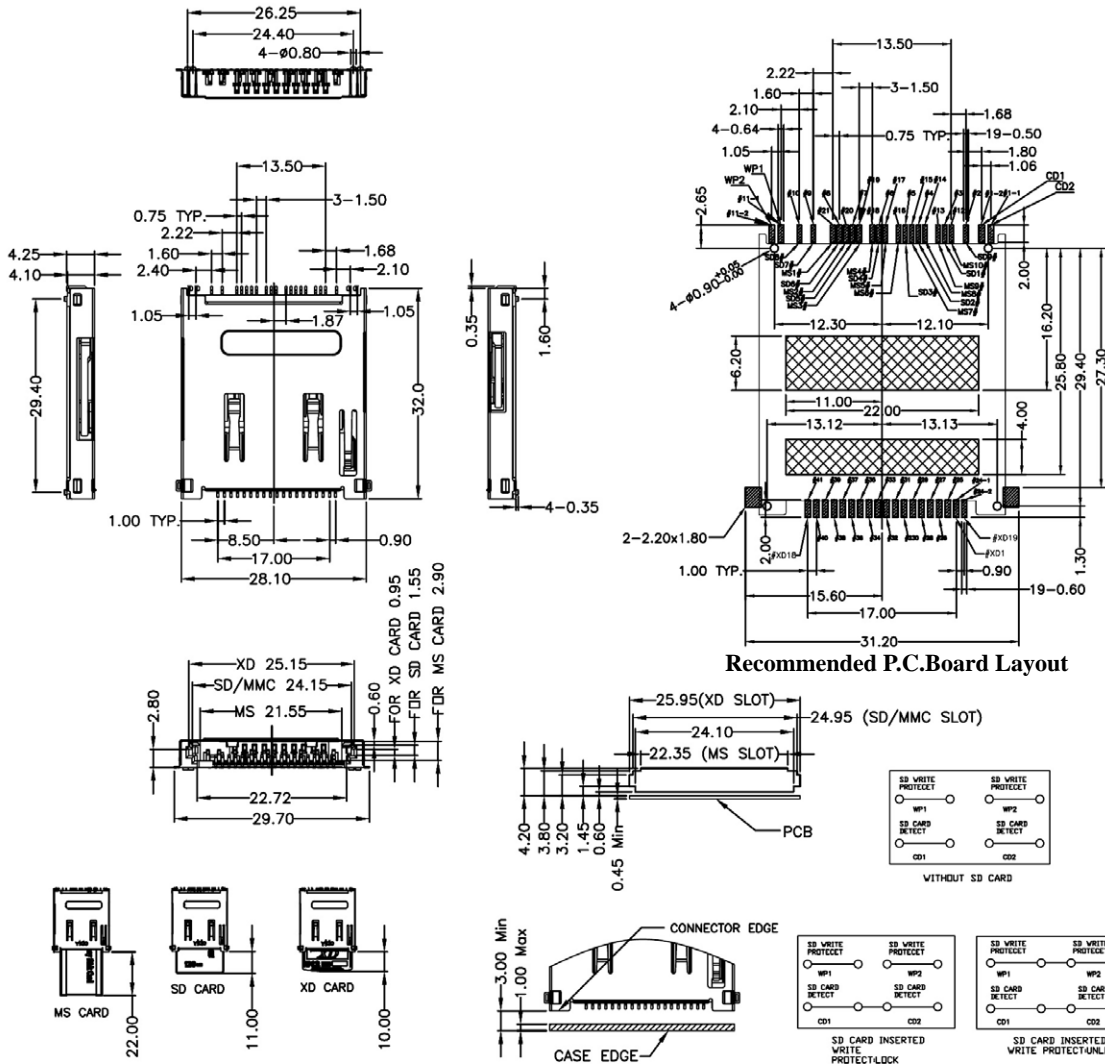
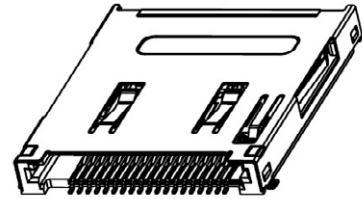
4 IN 1 CARD CONNECTOR FOR MS / SD / MMC / XD CARD USE

SPECIFICATIONS

Current Rating: 1A Max
 Dielectric Withstanding: 250VAC For 1 Minute
 Contact Resistance: 30mΩ Max
 Insulation R.: 1000MΩ Min
 Operating Temperature: -55°C ~ +105°C

MATERIAL:

Contact: Phosphor Bronze
 Housing: High Temperature Plastic
 (UL94V-0)



ORDERING INFORMATION:

P/N MCD-027MM_XX_I

- 1.CONTACT FINISH:
 "01" GOLD FLASH
 "15" 15 MICROINCH GOLD
 "30" 30 MICROINCH GOLD

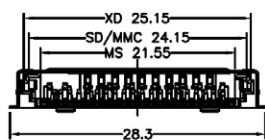
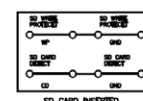
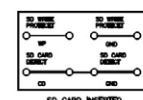
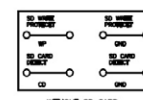
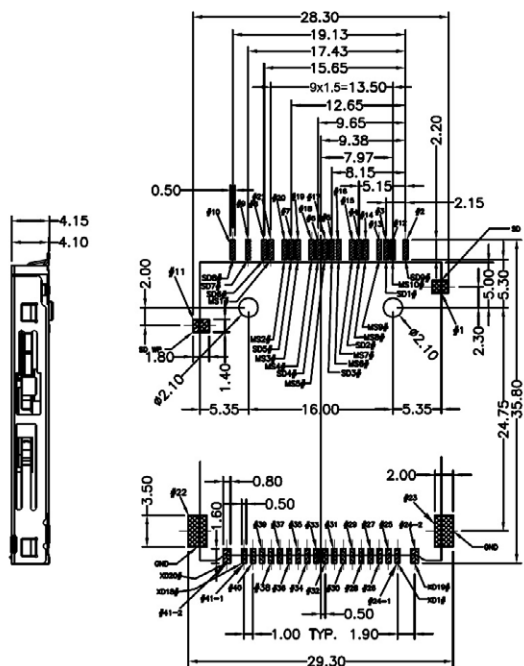
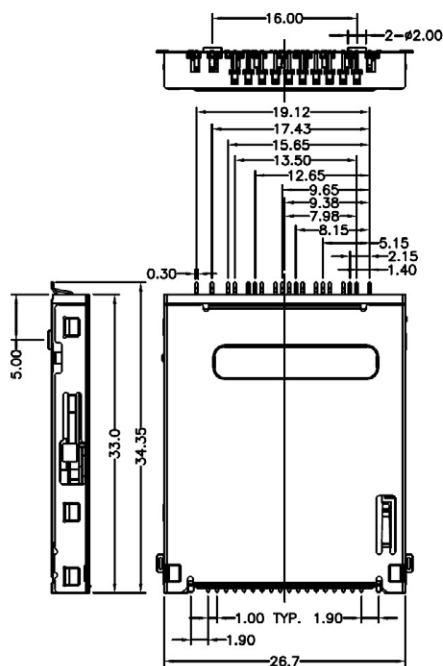
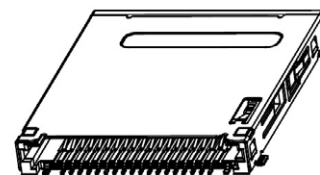
4 IN 1 CARD CONNECTOR FOR MS / SD / MMC / XD CARD USE

SPECIFICATIONS

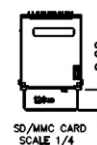
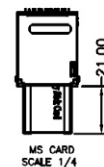
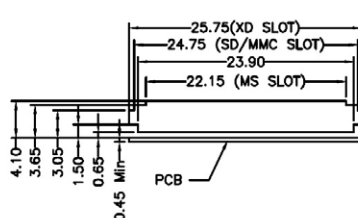
Current Rating: 1A Max
 Dielectric Withstanding: 250VAC For 1 Minute
 Contact Resistance: 30mΩ Max
 Insulation R.: 1000MΩ Min
 Operating Temperature: -55°C ~ +105°C

MATERIAL:

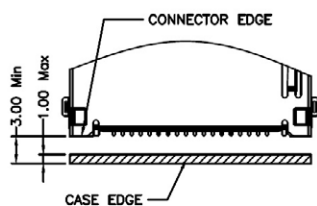
Contact: Phosphor Bronze
 Housing: High Temperature Plastic
 (UL94V-0)



Recommended P.C.Board Layout



RECOMMEND CARD SLOT DIMENSION



ORDERING INFORMATION:

P/N M C D - 0 2 6 M M X X
 I

- CONTACT FINISH:
 "01" GOLD FLASH
 "15" 15 MICROINCH GOLD
 "30" 30 MICROINCH GOLD

4 IN 1 CARD CONNECTOR PUSH - PUSH TYPE FOR SD / MMC / MMC 4.0/ MS CARD USE

SPECIFICATION:

Withstanding Voltage: 500V AC Max for 1 min.

Insulation R.: 1000MΩ

Voltage Rating: 100V AC

Current Rating: 1A AC/DC Max.

Contact R.: 40mΩ Max.

Operating Temperature: -20°C ~ +60°C

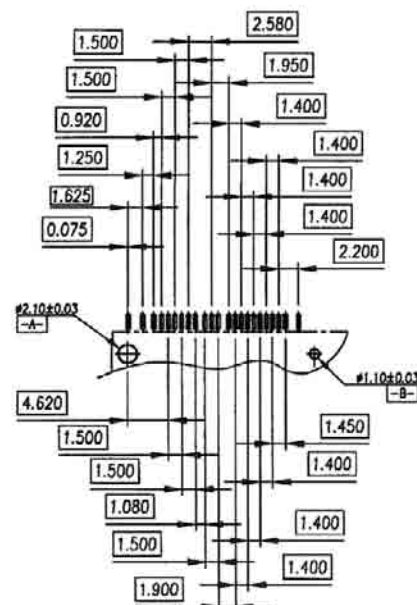
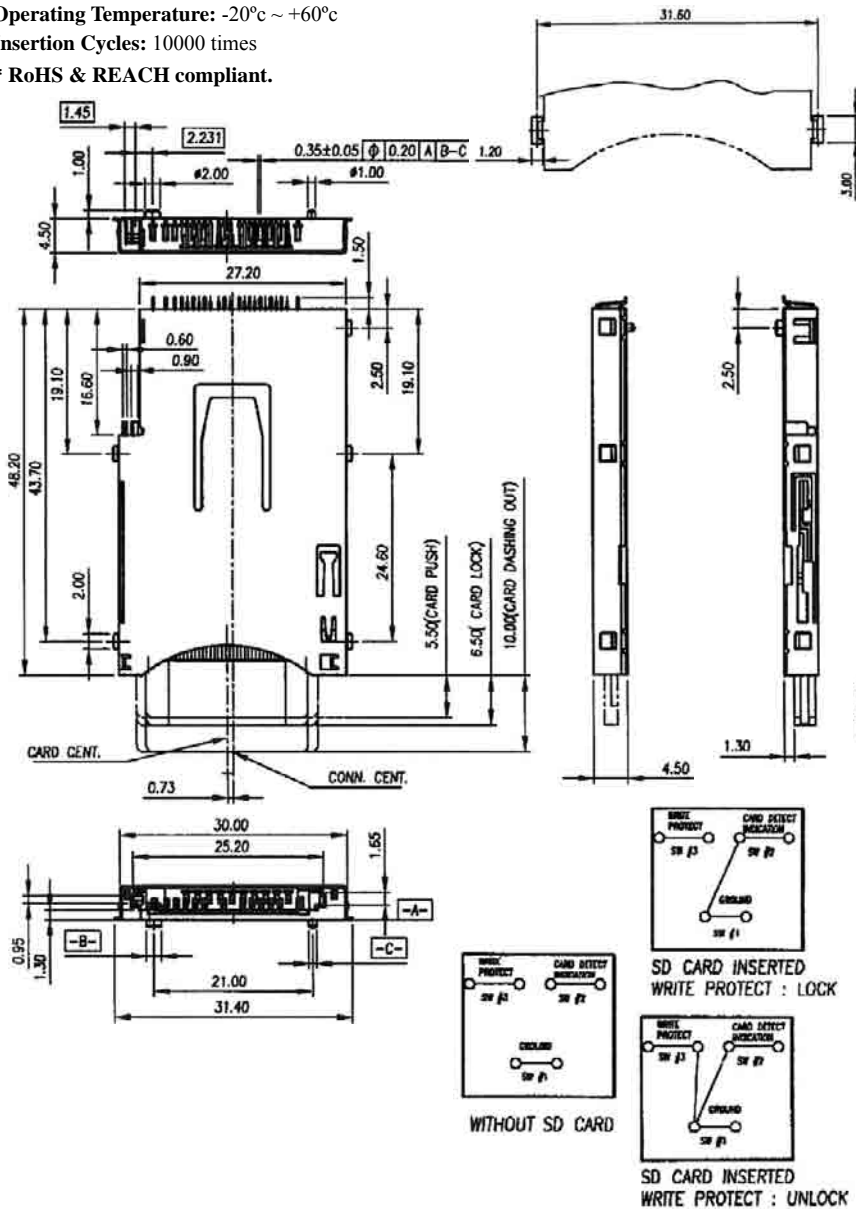
Insertion Cycles: 10000 times

* RoHS & REACH compliant.

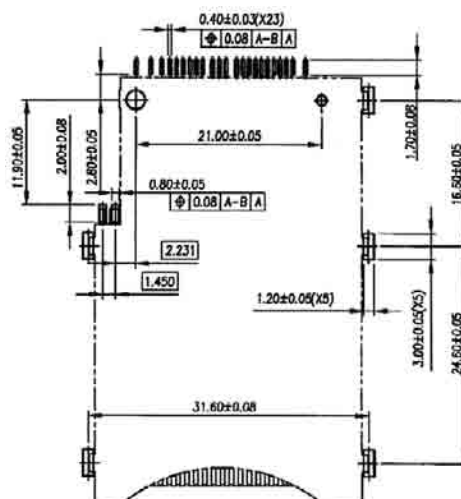
MATERIAL:

Contact: Phosphor Bronze

Housing: High Temperature Plastic
(UL94V-0)



Recommended P.C. Board Layout
(TOP VIEW DETAIL)



Recommended P.C. Board Layout
(TOP VIEW)

ORDERING INFORMATION:

P/N MCD-017MM X X
I

1. CONTACT FINISH:

- "05" 5 MICROINCH GOLD
- "10" 10 MICROINCH GOLD
- "15" 15 MICROINCH GOLD

4 IN 1 CARD CONNECTOR PUSH - PUSH TYPE FOR SD / MMC / MMC 4.0 / MS CARD USE

SPECIFICATION:

Withstanding Voltage: 500V AC Max for 1 min.

Insulation R.: 1000MΩ

Voltage Rating: 100V AC

Current Rating: 0.5A AC/DC Max.

Contact R.: 100mΩ Max.

Operating Temperature: -25°C ~ +90°C

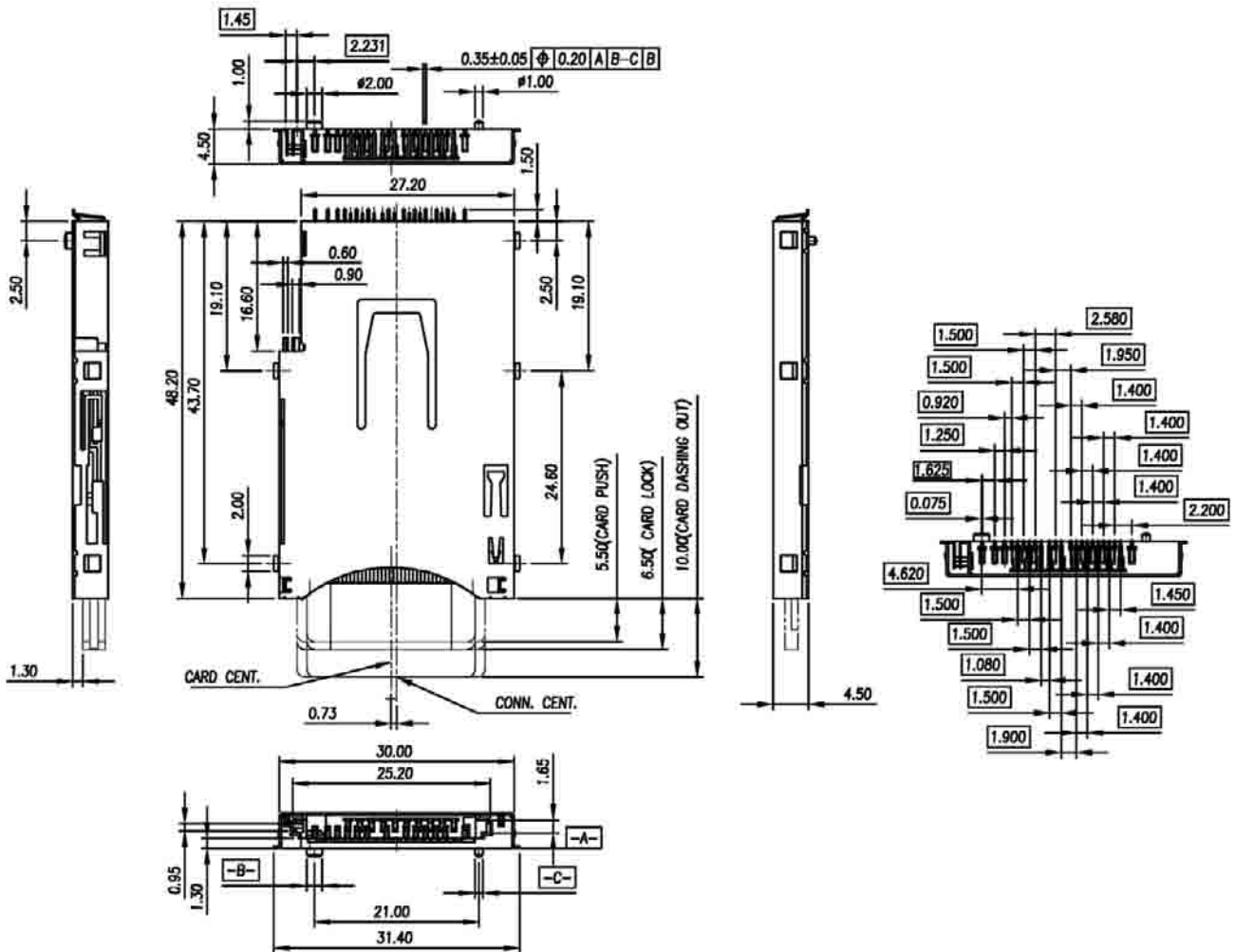
Insertion Cycles: 10000 times

* RoHS & REACH compliant.

MATERIAL:

Contact: Phosphor Bronze

Housing: High Temperature Plastic
(UL94V-0)



ORDERING INFORMATION:

P/N M C D - 0 0 4 M M X X
I

1..CONTACT FINISH:

"05" 5 MICROINCH GOLD

"10" 10 MICROINCH GOLD

"15" 15 MICROINCH GOLD

5 IN 1 CARD CONNECTOR PUSH - PUSH TYPE FOR SD / MMC / MMC 4.0 / MS / XD CARD USE

SPECIFICATION:

Withstanding Voltage: 500V AC Max for 1 min.

Insulation R.: 1000MΩ

Voltage Rating: 100V AC

Current Rating: 0.5A AC/DC Max.

Contact R.: 100mΩ Max.

Operating Temperature: -25°C ~ +90°C

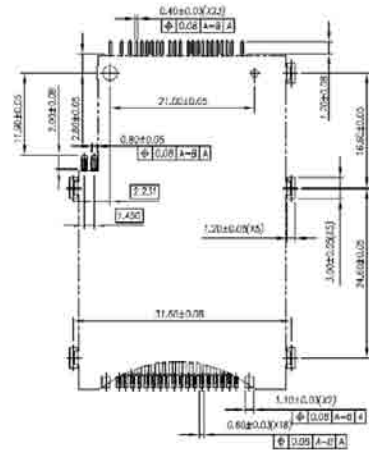
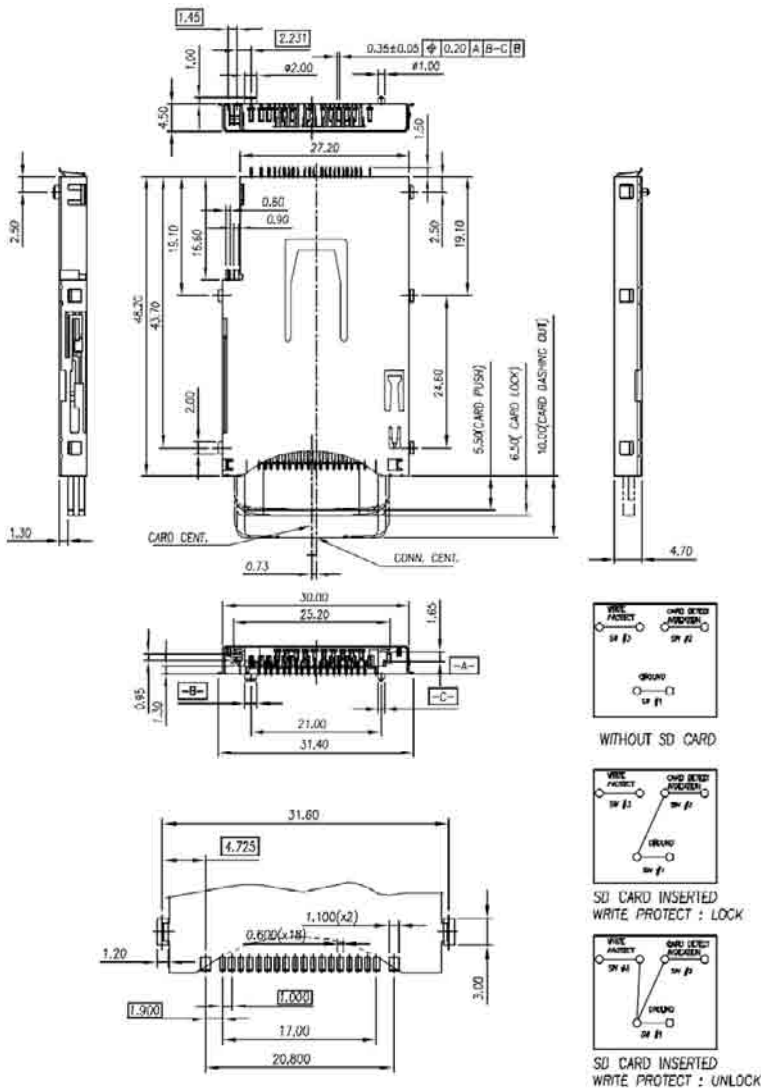
Insertion Cycles: 10000 times

* RoHS & REACH compliant.

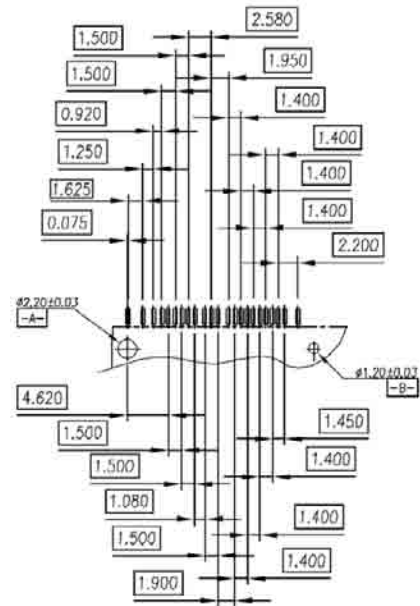
MATERIAL:

Contact: Phosphor Bronze

Housing: High Temperature Plastic
(UL94V-0)



Recommended P.C. Board Layout
(TOP VIEW)



Recommended P.C. Board Layout
(TOP VIEW DETAIL)

ORDERING INFORMATION:

P/N M C D - 0 0 5 M M X X
I

1..CONTACT FINISH:

"05" 5 MICROINCH GOLD

"10" 10 MICROINCH GOLD

"15" 15 MICROINCH GOLD

5 IN 1 CARD CONNECTOR REVERSE MOUNT TYPE FOR SD / MMC(&4.0) / MS DUO / MS PRO-HG DUO CARD USE

SPECIFICATION:

Withstanding Voltage: 500V AC Max for 1 min.

Insulation R.: 1000MΩ

Voltage Rating: 100V AC

Current Rating: 1A AC/DC Max.

Contact R.: 40mΩ Max.

Operating Temperature: -20°C ~ +60°C

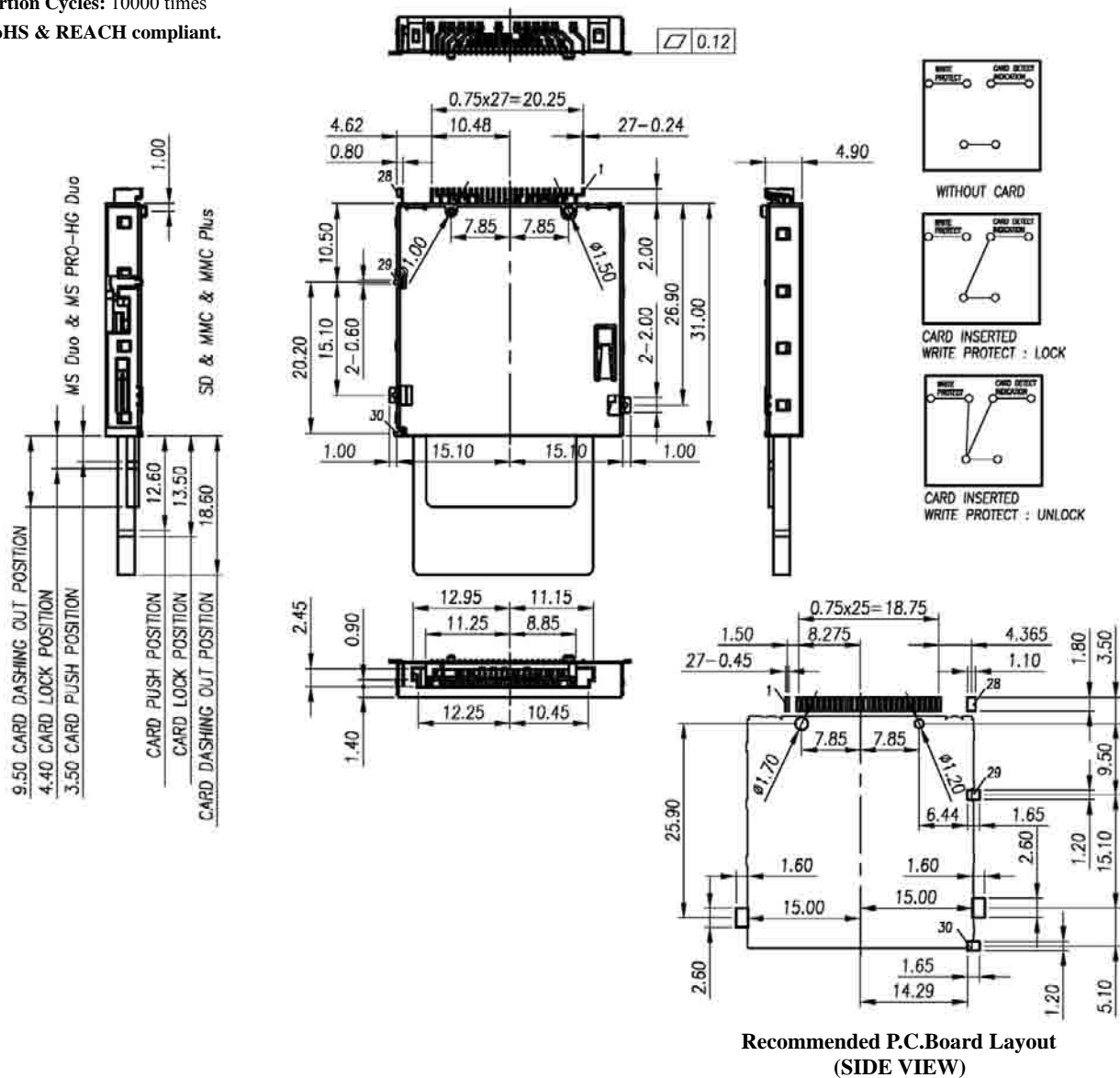
Insertion Cycles: 10000 times

* RoHS & REACH compliant.

MATERIAL:

Contact: Phosphor Bronze

Housing: High Temperature Plastic
(UL94V-0)



ORDERING INFORMATION:

P/N M C D - 0 1 1 M M $\frac{x}{1} - \frac{x}{2}$

1.CONTACT FINISH:

- "05" 5 MICROINCH GOLD
- "10" 10 MICROINCH GOLD
- "15" 15 MICROINCH GOLD

2.PACKAGE OPTION:

- "0" TRAY
- "R" TAPE & REEL

6 IN 1 CARD CONNECTOR PLASTIC TYPE FOR SD / MMC (& 4.0) / MINI SD / RS MMC (& 4.0) CARD USE

SPECIFICATION:

Withstanding Voltage: 500V AC Max for 1 min.

Insulation R.: 1000MΩ

Voltage Rating: 100V AC

Current Rating: 0.5A AC/DC Max.

Contact R.: 100mΩ Max.

Operating Temperature: -25°C ~ +90°C

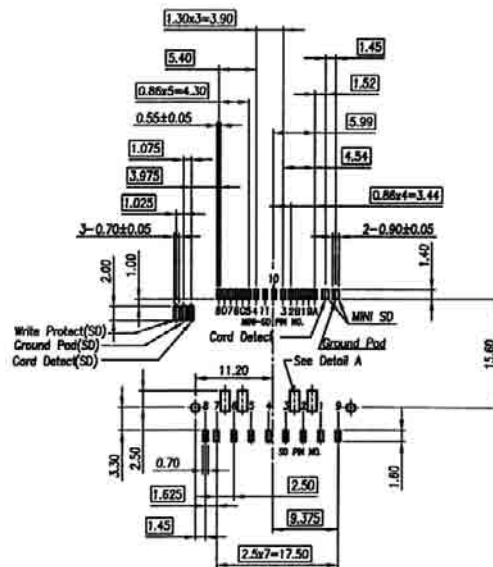
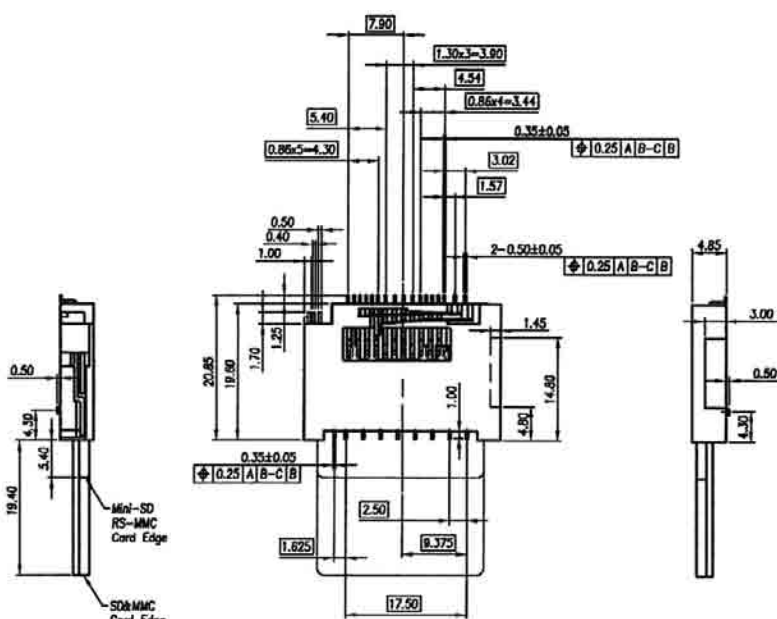
Insertion Cycles: 10000 times

* RoHS & REACH compliant.

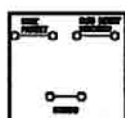
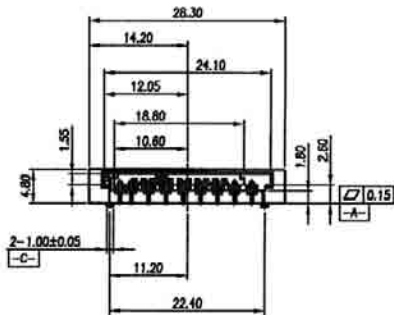
MATERIAL:

Contact: Phosphor Bronze

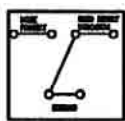
Housing: High Temperature Plastic
(UL94V-0)



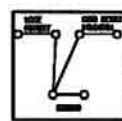
Recommended P.C. Board Layout
(TOP VIEW)



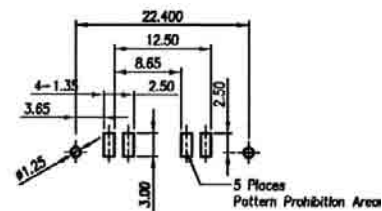
WITHOUT CARD



CARD INSERTED
WRITE PROTECT : LOCK



CARD INSERTED
WRITE PROTECT : UNLOCK



Detail A

5 Places
Pattern Prohibition Area

ORDERING INFORMATION:

P/N M C D - 0 0 6 M M X X
I

1. CONTACT FINISH:

- "05" 5 MICROINCH GOLD
- "10" 10 MICROINCH GOLD
- "15" 15 MICROINCH GOLD

6 IN 1 CARD CONNECTOR FOR SD / MMC / MMC PLUS / MINI SD / RS MMC / RS MMC PLUS CARD USE

SPECIFICATION:

Withstanding Voltage: 500V AC Max for 1 min.

Insulation R.: 1000MΩ

Voltage Rating: 100V AC

Current Rating: 1A AC/DC Max.

Contact R.: 40mΩ Max.

Operating Temperature: -20°C ~ +60°C

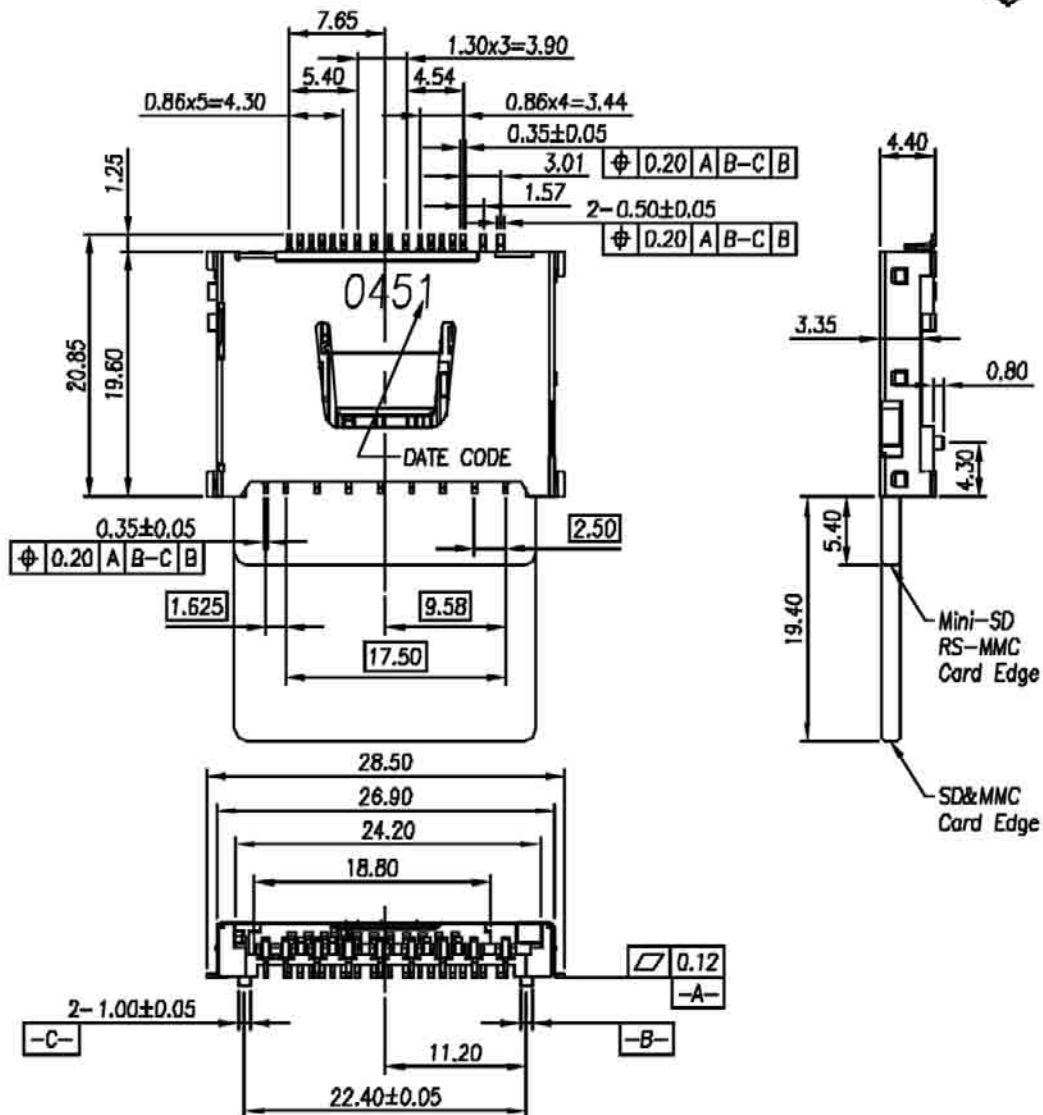
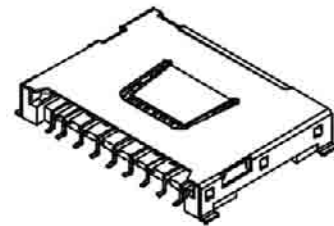
Insertion Cycles: 10000 times

* RoHS & REACH compliant.

MATERIAL:

Contact: Phosphor Bronze

Housing: High Temperature Plastic
(UL94V-0)



ORDERING INFORMATION:

P/N M C D - 0 1 3 M M X X
I

1.CONTACT FINISH:

"05" 5 MICROINCH GOLD

"10" 10 MICROINCH GOLD

"15" 15 MICROINCH GOLD

7 IN 1 CARD CONNECTOR REVERSE MOUNT PUSH - PUSH TYPE FOR SD / MMC(&4.0) / MS / XD / MS PRO / MS MAGIC CARD USE

SPECIFICATION:

Withstanding Voltage: 500V AC Max for 1 min.

Insulation R.: 1000MΩ

Voltage Rating: 100V AC

Current Rating: 1A AC/DC Max.

Contact R.: 40mΩ Max.

Operating Temperature: -20°C ~ +60°C

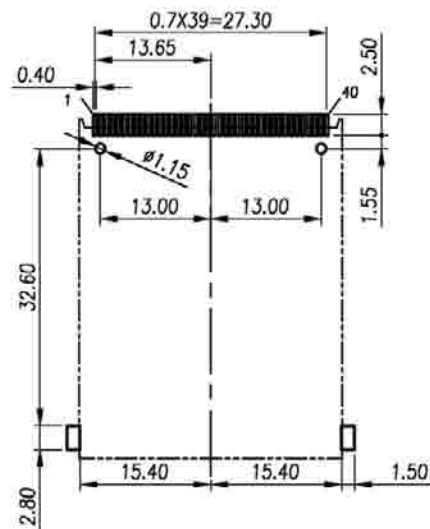
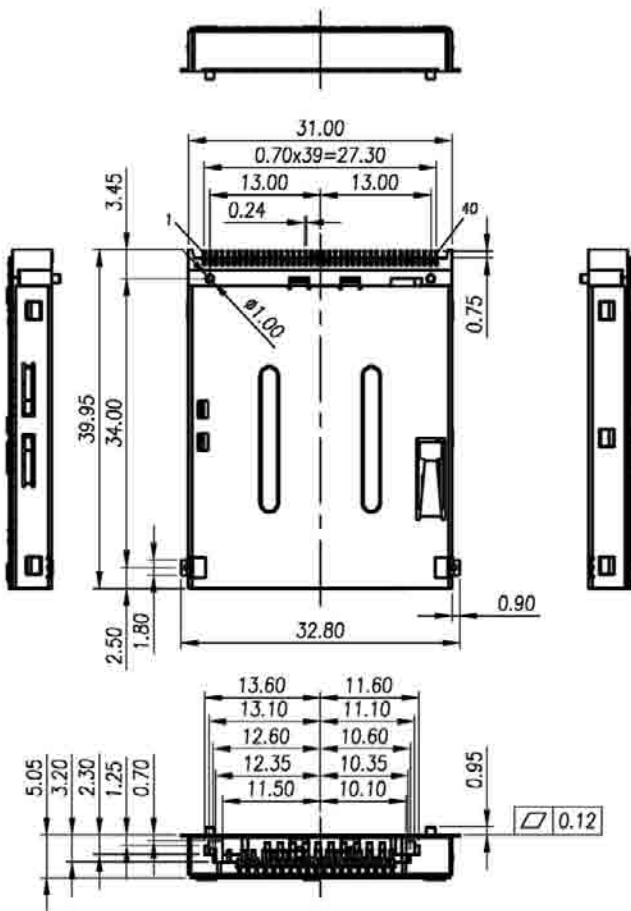
Insertion Cycles: 10000 times

* RoHS & REACH compliant.

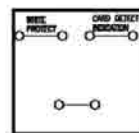
MATERIAL:

Contact: Phosphor Bronze

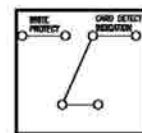
Housing: High Temperature Plastic
(UL94V-0)



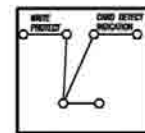
Recommended P.C. Board Layout
(SIDE VIEW)



WITHOUT CARD



CARD INSERTED
WRITE PROTECT : LOCK



CARD INSERTED
WRITE PROTECT : UNLOCK

ORDERING INFORMATION:

P/N M C D - 0 1 8 M M $\frac{x}{1} - \frac{x}{2}$

1. CONTACT FINISH:

"05" 5 MICROINCH GOLD

"10" 10 MICROINCH GOLD

"15" 15 MICROINCH GOLD

2. PACKAGE OPTION:

"0" TRAY

"R" TAPE & REEL

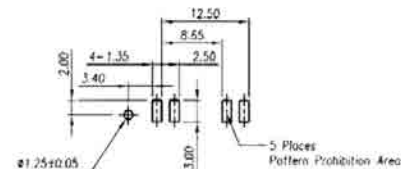
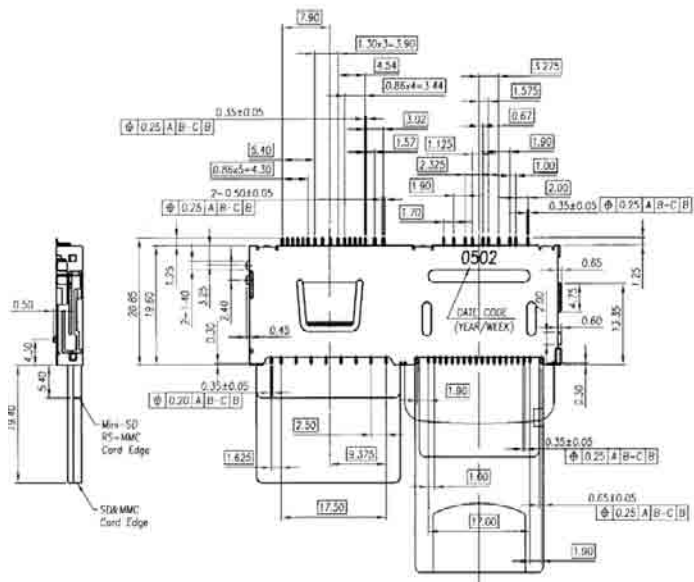
10 IN 1 CARD CONNECTOR FOR SD / MMC(&4.0) / MINI SD / MS / MS PRO / MS DUO / XD / RS MMC(&4.0) CARD USE

SPECIFICATION:

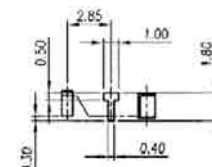
Withstanding Voltage: 500V AC Max for 1 min.
 Insulation R.: 1000MΩ
 Voltage Rating: 100V AC
 Current Rating: 1A AC/DC Max.
 Contact R.: 40mΩ Max.
 Operating Temperature: -20°C ~ +60°C
 Insertion Cycles: 10000 times
 * RoHS & REACH compliant.

MATERIAL:

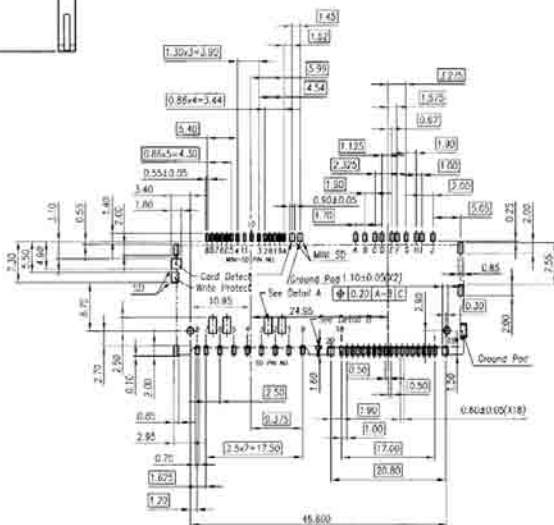
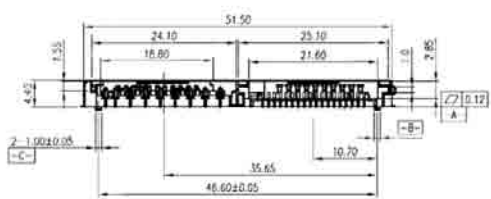
Contact: Phosphor Bronze
 Housing: High Temperature Plastic
 (UL94V-0)



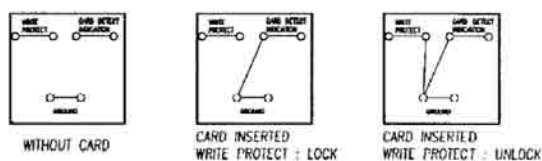
Detail A



Detail B



Recommended P.C. Board Layout (TOP VIEW)



ORDERING INFORMATION:

P/N MCD - 019MM X_I

1.CONTACT FINISH:

"05" 5 MICROINCH GOLD
 "10" 10 MICROINCH GOLD
 "15" 15 MICROINCH GOLD

1.40MM PITCH 8 PIN BATTERY CONNECTOR H=1.35MM

SPECIFICATION:

ELECTRICAL SPECIFICATION:

1.1 Rated Current: 2A

1.2 Rated Voltage: 250V

ENVIRONMENTAL:

2.1 Operation Temperature: -55°C ~ +125°C

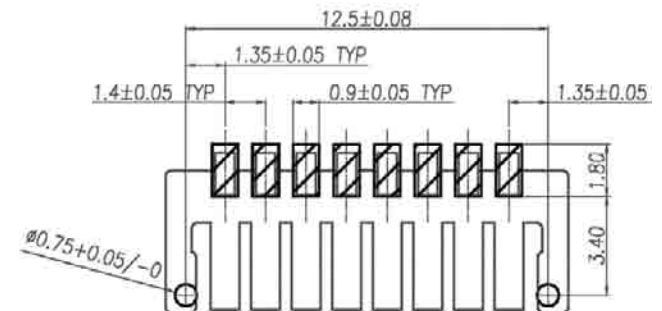
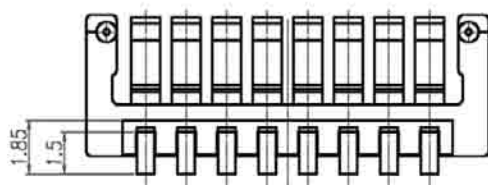
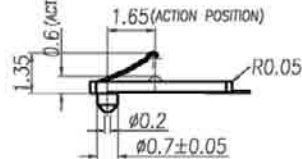
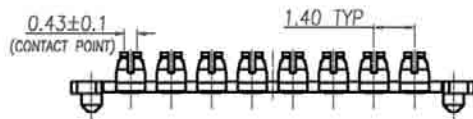
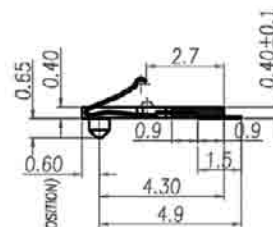
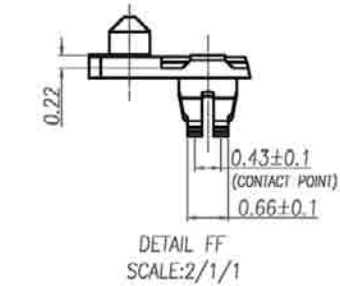
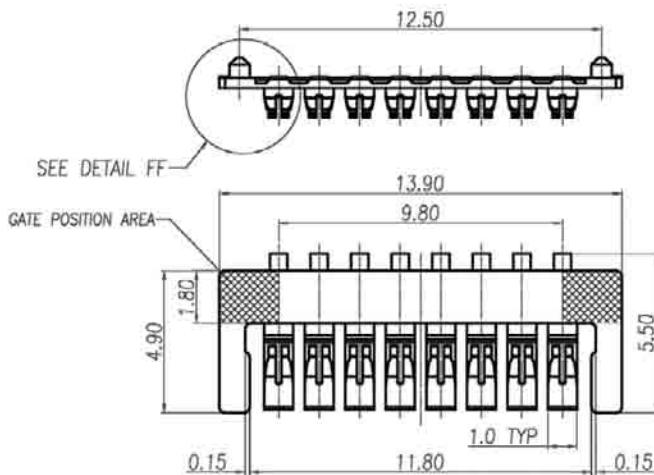
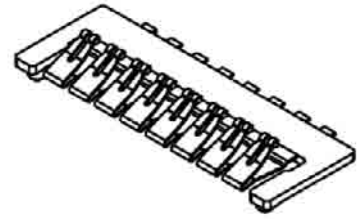
MATERIAL:

1.1 Housing: High Temp. Thermoplastic+Glass Fibre,
UL94V-0, Color: Black

1.2 Terminal: Copper Alloy

Finish: Gold Plated On Contact Area,
Gold Flash All Over 50u" Nickel plated

* RoHS & REACH compliant.



Recommended P.C.Board Layout

ORDERING INFORMATION:

P/N B Y C 140 - 008 G 10 A

1 2 3 4

1. CONTACT SPACING:
"140" 1.40MM
2. NO. OF CONTACTS:
008
3. CONTACT FINISH:
"10" 10 MICROINCH GOLD
4. CONNECTOR CODE:
A

1.60 MM PITCH 2 PIN BATTERY MALE CONNECTOR H= 4.0MM

SPECIFICATIONS

Voltage Current Rating: 6A, 30VAC

Dielectric Withstanding: 500VAC For 1 Minute

Contact Resistance: 30mΩ Max

Insulation R.: 1000MΩ Min

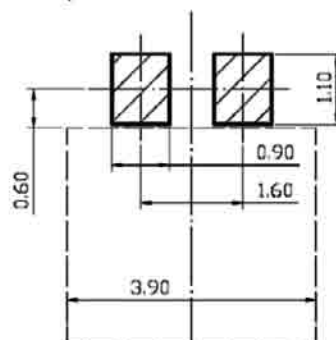
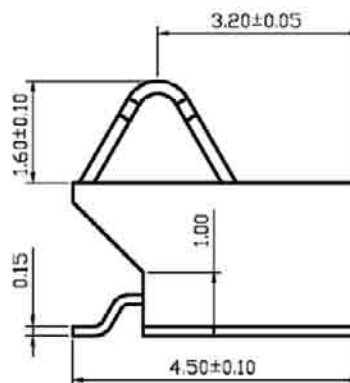
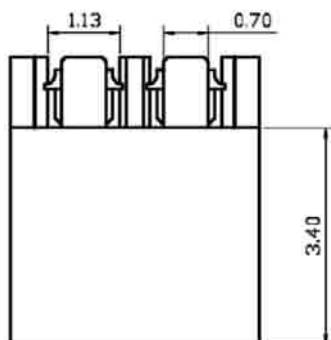
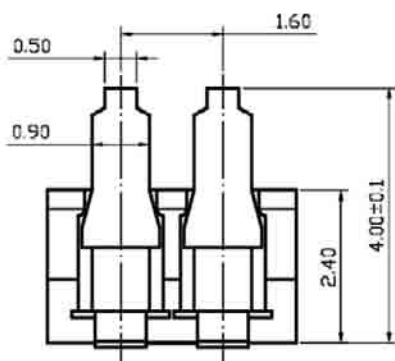
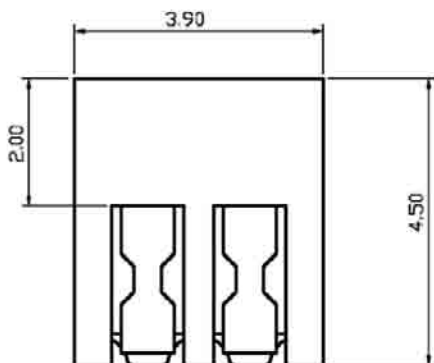
Operating Temperature: -55°C ~ +105°C

MATERIAL:

Housing: NY, UL 94V-0

Contact: Copper Alloy

* RoHS & REACH compliant.



Recommended P.C.Board Layout

ORDERING INFORMATION:

P/N B Y C 1 60 - 00 2 G X X C

1.CONTACT SPACING:

"160" 1.60MM

2.NO. OF CONTACTS:

002

3.CONTACT FINISH:

"01" GOLD FLASH

"10" 10 MICROINCH GOLD

"15" 15 MICROINCH GOLD

4.CONNECTOR CODE:

C

1.60MM PITCH 3 PIN BATTERY CONNECTOR H=4.1MM

SPECIFICATION:

ELECTRICAL SPECIFICATION:

1.1 Rated Current: 2A

1.2 Rated Voltage: 250V

ENVIRONMENTAL:

2.1 Operation Temperature: -55°C ~ +125°C

MATERIAL:

1.1 Housing: High Temp. Thermoplastic+Glass Fibre,
UL94V-0, Color: Black

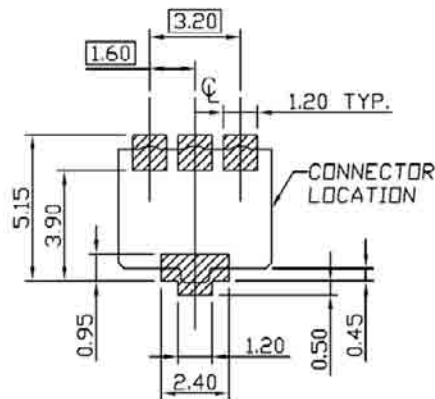
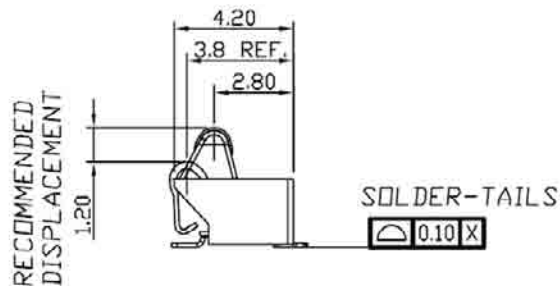
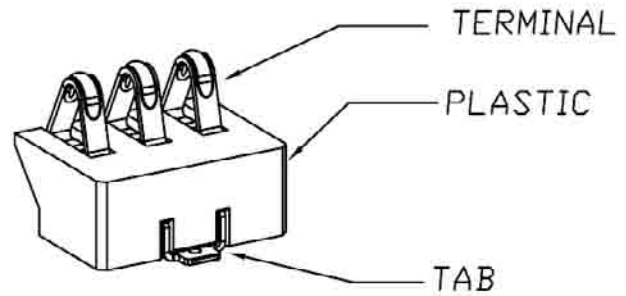
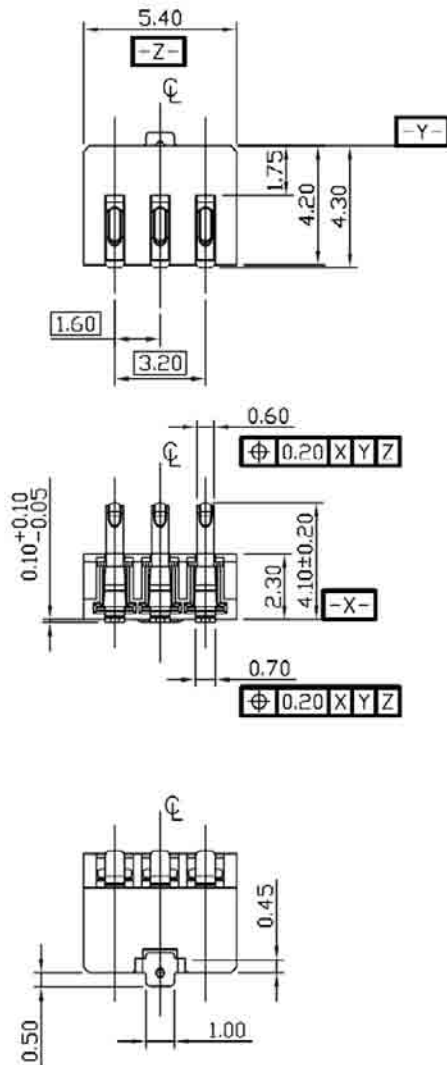
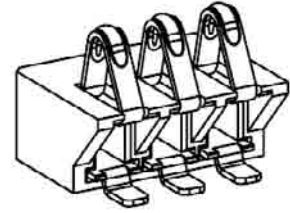
1.2 Terminal: Copper Alloy

Finish: Gold Plated On Contact Area,
Gold Flash All Over 50µ Nickel plated

1.3 Tab: Copper Alloy

Finish: Tin Plated On Solder Tail

* RoHS & REACH compliant.



Recommended P.C.Board Layout

ORDERING INFORMATION:

P/N B Y C 160 - 003 G 15 A

1. CONTACT SPACING:

"160" 1.60MM

2. NO. OF CONTACTS:

003

3. CONTACT FINISH:

"15" 15 MICROINCH GOLD

4. CONNECTOR CODE:

A

1.60MM PITCH 3 PIN BATTERY CONNECTOR 2A/250VAC H=4.3MM

SPECIFICATION:

ELECTRICAL SPECIFICATION:

1.1 Rated Current: 2A

1.2 Rated Voltage: 250V

ENVIRONMENTAL:

2.1 Operation Temperature: -55°C ~ +125°C

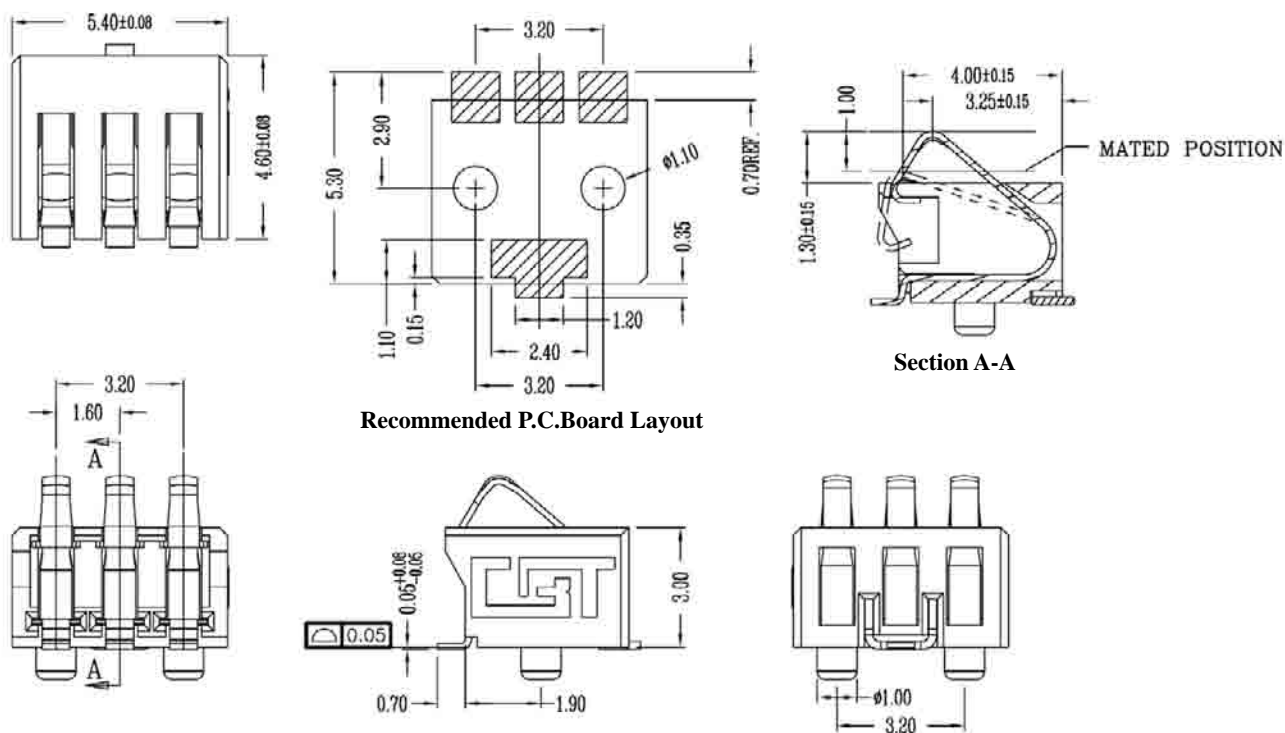
MATERIAL:

1.1 Housing: High Temp. Thermoplastic+Glass Fibre,
UL94V-0, Color: Black

1.2 Terminal: Copper Alloy

Finish: Gold Plated On Contact Area,
Gold Flash All Over 50µ Nickel plated

* RoHS & REACH compliant.



ORDERING INFORMATION:

P/N B Y C 160 - 003 G 15 B

1 2 3 4

1. CONTACT SPACING:
"160" 1.60MM
2. NO. OF CONTACTS:
003
3. CONTACT FINISH:
"15" 15 MICROINCH GOLD
4. CONNECTOR CODE:
B

1.60MM PITCH 4 PIN BATTERY CONNECTOR H=3.1MM

SPECIFICATION:

ELECTRICAL SPECIFICATION:

1.1 Rated Current: 2A

1.2 Rated Voltage: 250V

ENVIRONMENTAL:

2.1 Operation Temperature: -55°C ~ +125°C

MATERIAL:

1.1 Housing: High Temp. Thermoplastic+Glass Fibre,
UL94V-0, Color: Black

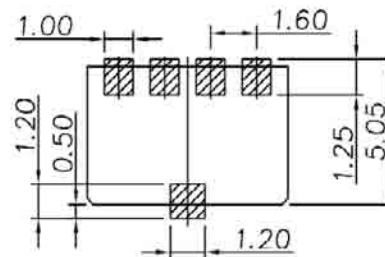
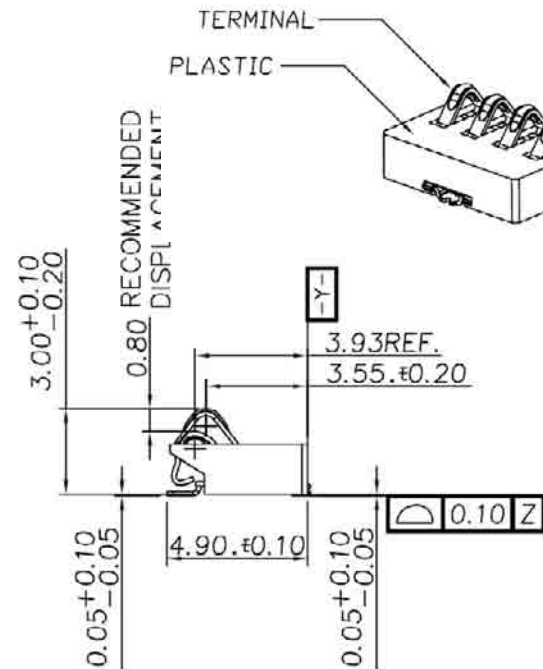
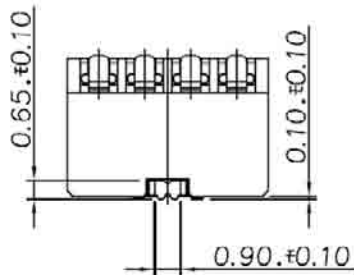
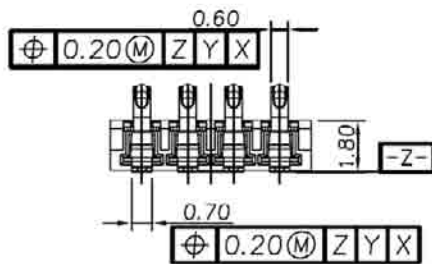
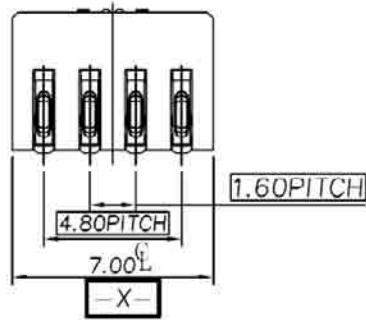
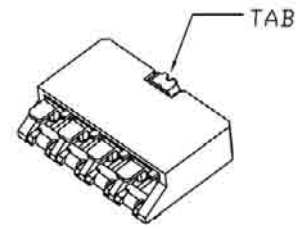
1.2 Terminal: Copper Alloy

Finish: Gold Plated On Contact Area,
Gold Flash All Over 50µ Nickel plated

1.3 Tab: Copper Alloy

Finish: Tin Plated On Solder Tail

* RoHS & REACH compliant.



ORDERING INFORMATION:

P/N B Y C 1 60 - 004 G 15 A

1. CONTACT SPACING:
"160" 1.60MM
2. NO. OF CONTACTS:
004
3. CONTACT FINISH:
"15" 15 MICROINCH GOLD
4. CONNECTOR CODE:
A

2.00MM PITCH 3 PIN BATTERY CONNECTOR H=3.5MM

SPECIFICATION:

ELECTRICAL SPECIFICATION:

1.1 Rated Current: 2A

1.2 Rated Voltage: 250V

ENVIRONMENTAL:

2.1 Operation Temperature: -55°C ~ +125°C

MATERIAL:

1.1 Housing: High Temp. Thermoplastic+Glass Fibre,
UL94V-0, Color: Black

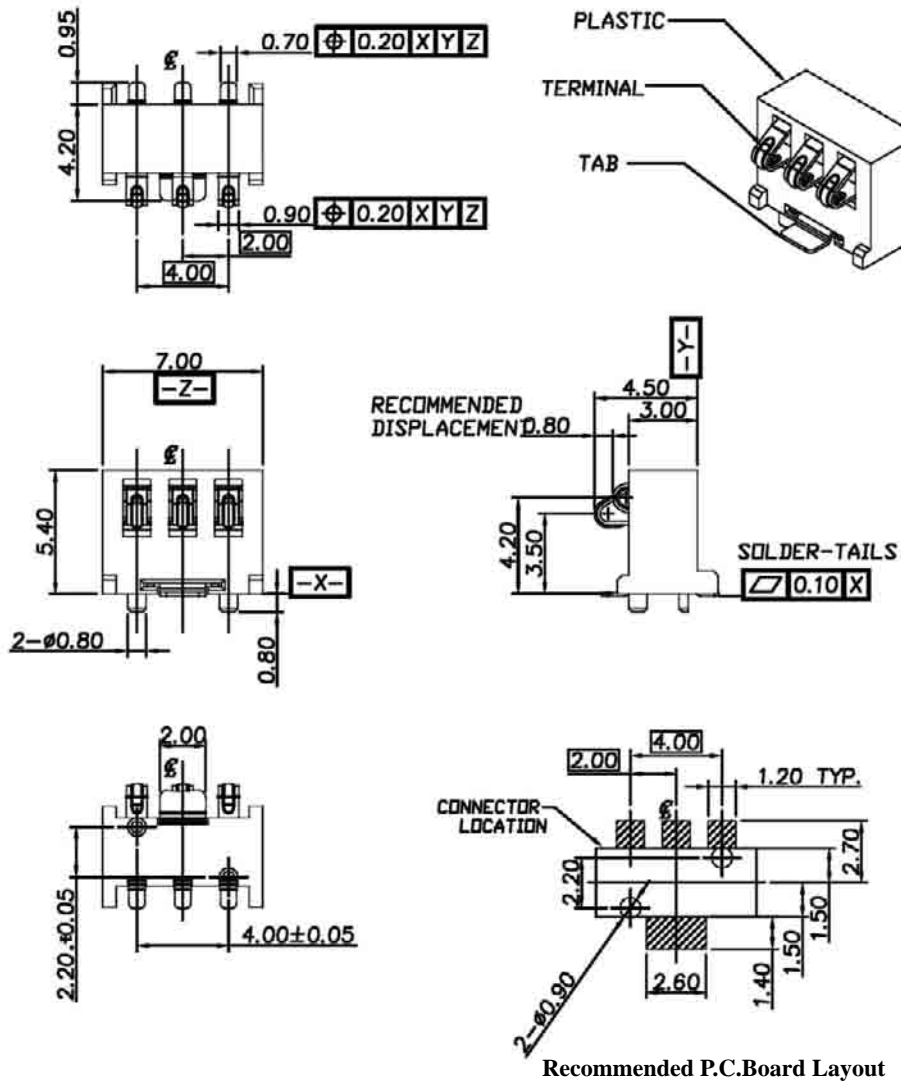
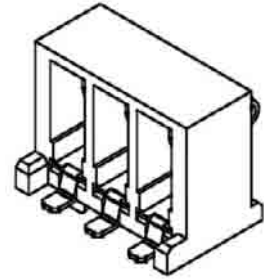
1.2 Terminal: Copper Alloy

Finish: Gold Plated On Contact Area,
Gold Flash All Over 50µ Nickel plated

1.3 Tab: Copper Alloy

Finish: Tin Plated On Solder Tail

* RoHS & REACH compliant.



ORDERING INFORMATION:

P/N B Y C 200 - 003 G 15 A
1 2 3 4

1. CONTACT SPACING:
"200" 2.00MM
2. NO. OF CONTACTS:
003
3. CONTACT FINISH:
"15" 15 MICROINCH GOLD
4. CONNECTOR CODE:
A

2.00MM PITCH 3 PIN BATTERY CONNECTOR H=5.9MM

SPECIFICATION:

ELECTRICAL SPECIFICATION:

1.1 Rated Current: 2A

1.2 Rated Voltage: 250V

ENVIRONMENTAL:

2.1 Operation Temperature: -55°C ~ +125°C

MATERIAL:

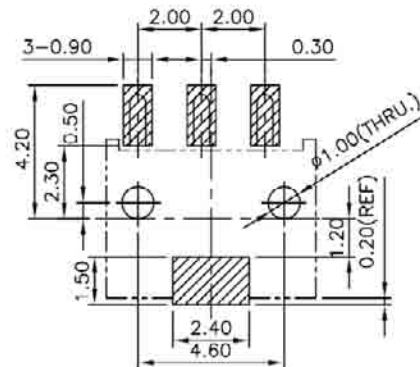
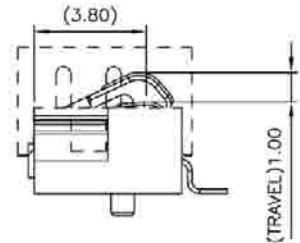
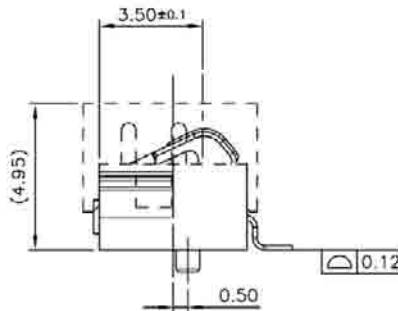
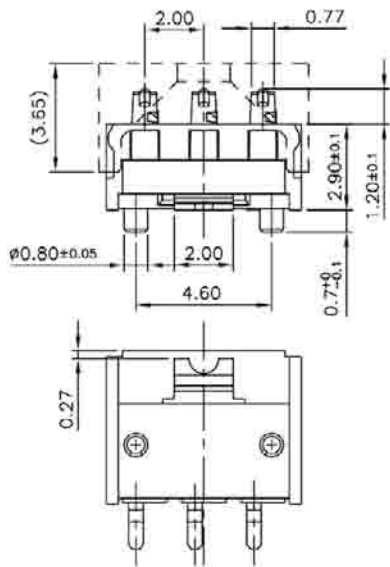
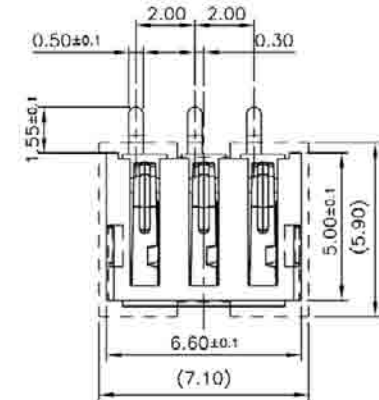
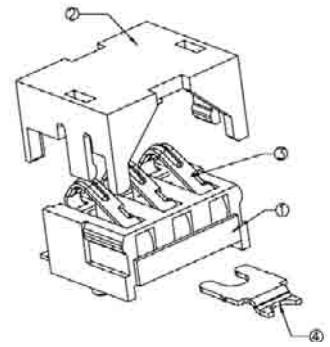
1.1 Housing: High Temp. Thermoplastic+Glass Fibre,
UL94V-0, Color: Black

1.2 Terminal: Copper Alloy

Finish: Gold Plated On Contact Area,
Gold Flash All Over 50µ Nickel plated

1.3 Cover: High Temp. Thermoplastic+Glass Fibre,
UL94V-0, Color: Black

* RoHS & REACH compliant.



Recommended P.C.Board Layout

ORDERING INFORMATION:

P/N B Y C 2 0 0 - 0 0 3 G X X B

1. CONTACT SPACING:
"200" 2.00MM

2. NO. OF CONTACTS:
003

3. CONTACT FINISH:
"xx" UPON REQUEST

4. CONNECTOR CODE:
B

2.00MM PITCH 3 PIN BATTERY CONNECTOR 60 DEGREE ANGLED

SPECIFICATION:

ELECTRICAL SPECIFICATION:

1.1 Rated Current: 2A

1.2 Rated Voltage: 250V

ENVIRONMENTAL:

2.1 Operation Temperature: -55°C ~ +125°C

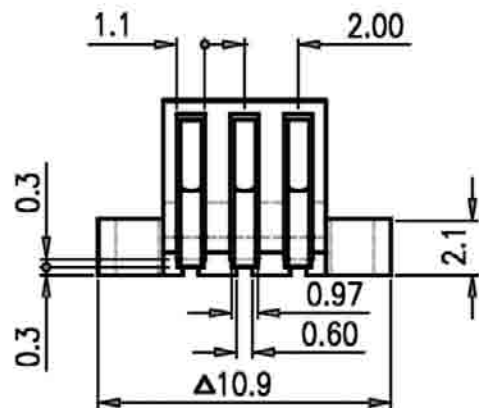
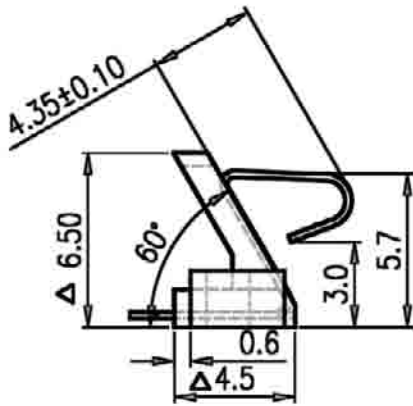
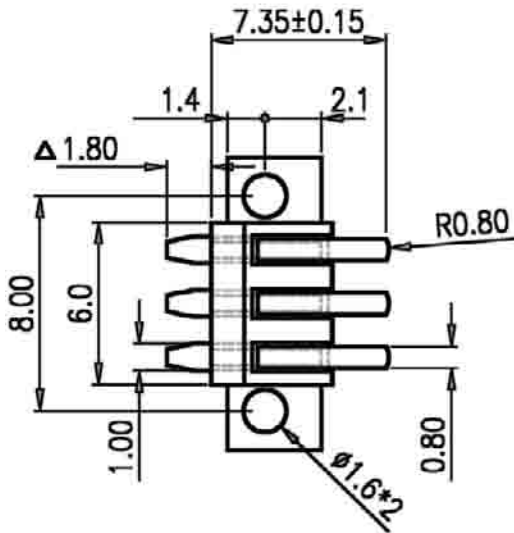
MATERIAL:

1.1 Housing: High Temp. Thermoplastic+Glass Fibre,
UL94V-0, Color: Black

1.2 Terminal: Copper Alloy

Finish: Gold Plated On Contact Area,
Gold Flash All Over 50µ Nickel plated

* RoHS & REACH compliant.



ORDERING INFORMATION:

P/N B Y C 200 - 003 G 05 C
1 2 3 4

1. CONTACT SPACING:

"200" 2.00MM

2. NO. OF CONTACTS:

003

3. CONTACT FINISH:

"05" 5 MICRORINCH GOLD

4. CONNECTOR CODE:

C

2.00MM PITCH 7 PIN BATTERY CONNECTOR H=7.2MM

SPECIFICATION:

ELECTRICAL SPECIFICATION:

1.1 Rated Current: 2A

1.2 Rated Voltage: 250V

ENVIRONMENTAL:

2.1 Operation Temperature: -55°C ~ +125°C

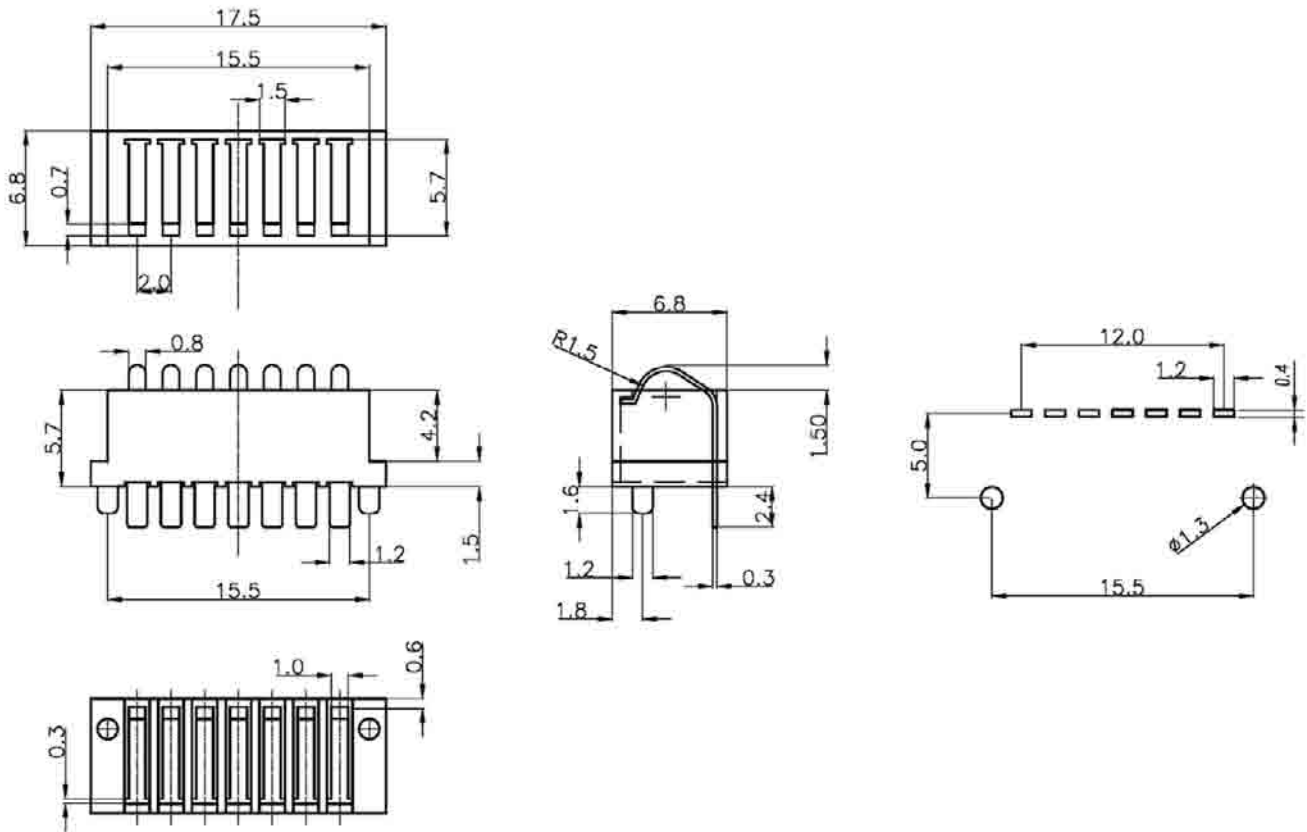
MATERIAL:

1.1 Housing: High Temp. Thermoplastic+Glass Fibre,
UL94V-0, Color: Black

1.2 Terminal: Copper Alloy

Finish: Gold Plated On Contact Area,
Gold Flash All Over 50µ Nickel plated

* RoHS & REACH compliant.



ORDERING INFORMATION:

P/N B Y C 200 - 007 G xx A

1 2 3 4

1. CONTACT SPACING:
"200" 2.00MM
2. NO. OF CONTACTS:
007
3. CONTACT FINISH:
"xx" UPON REQUEST
4. CONNECTOR CODE:
A

2.00 MM PITCH 8 PIN BATTERY MALE CONNECTOR H= 5.5MM

SPECIFICATIONS

Voltage Current Rating: 6A, 30VAC

Dielectric Withstanding: 500VAC For 1 Minute

Contact Resistance: 30mΩ Max

Insulation R.: 1000MΩ Min

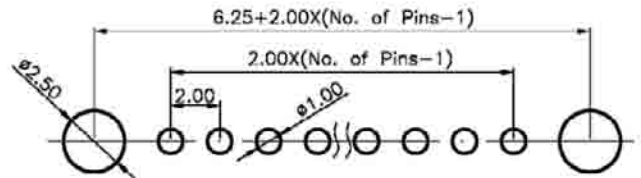
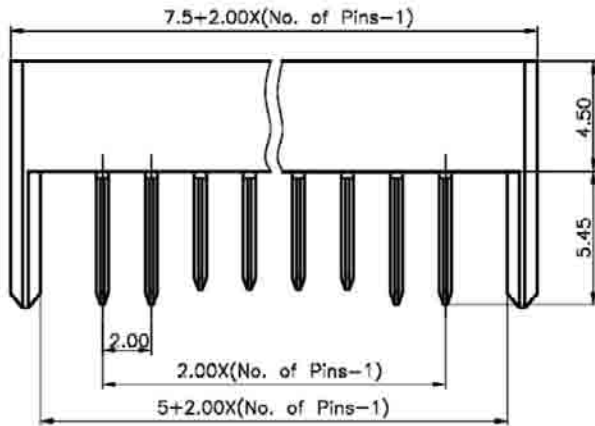
Operating Temperature: -55°C ~ +105°C

MATERIAL:

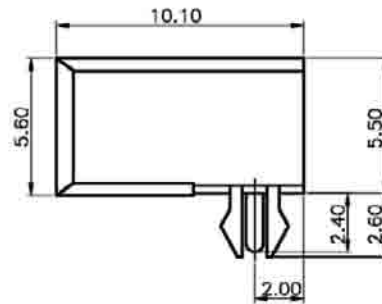
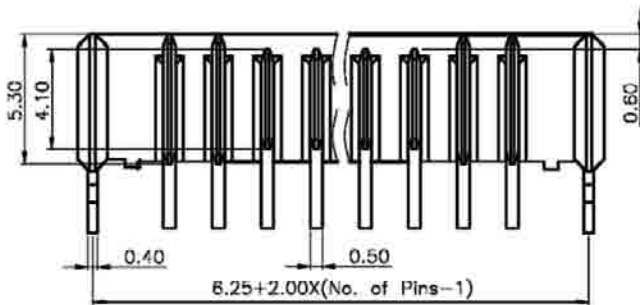
Housing: Hi-Temp. Thermoplastic

Contact: Copper Alloy

* RoHS & REACH compliant.



Recommended P.C.Board Layout



NO.	PART NAME	MATERIAL	STATUS
1	HOUSING	NY9T	BK
2	CONTACT	BRASS T=0.5	GF 3U"

ORDERING INFORMATION:

P/N B Y C 200 - 008 G 03 B
 1 2 3 4

1.CONTACT SPACING:

"200" 2.00MM

2.NO. OF CONTACTS:

008

3.CONTACT FINISH:

"03" 3 MICROINCH GOLD

4.CONNECTOR CODE:

B

2.00MM PITCH 10 PIN BATTERY CONNECTOR

SPECIFICATION:

ELECTRICAL SPECIFICATION:

1.1 Rated Current: 2A

1.2 Rated Voltage: 250V

ENVIRONMENTAL:

2.1 Operation Temperature: -55°C ~ +125°C

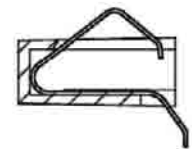
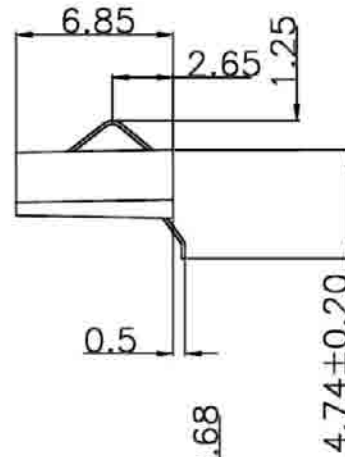
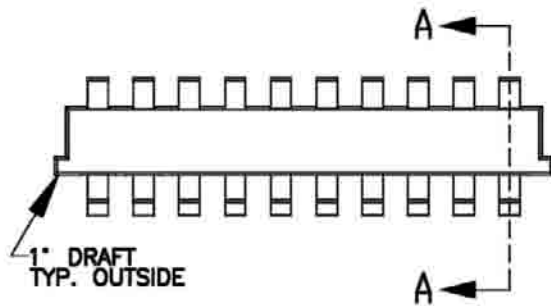
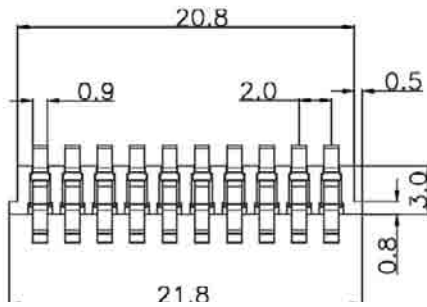
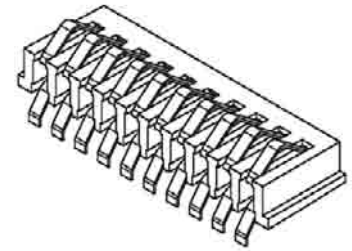
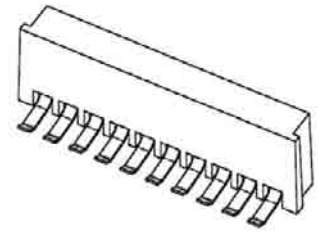
MATERIAL:

1.1 Housing: High Temp. Thermoplastic+Glass Fibre,
UL94V-0, Color: Black

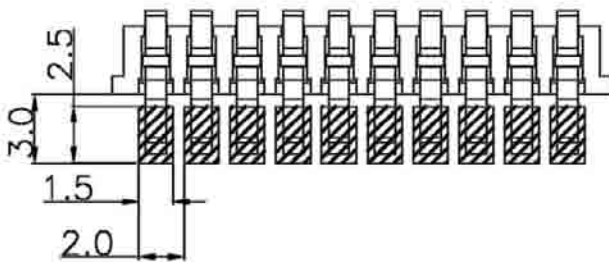
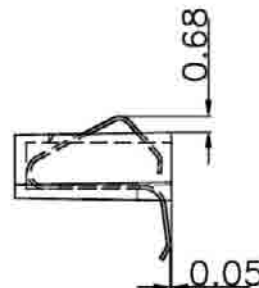
1.2 Terminal: Copper Alloy

Finish: Gold Plated On Contact Area,
Gold Flash All Over 50µ" Nickel plated

* RoHS & REACH compliant.



Section A-A



Recommended P.C.Board Layout

ORDERING INFORMATION:

P/N B Y C 2 0 0 - 0 1 0 G 1 5 A
 1 2 3 4

1. CONTACT SPACING:

"200" 2.00MM

2. NO. OF CONTACTS:

010

3. CONTACT FINISH:

"15" 15 MICROINCH GOLD

4. CONNECTOR CODE:

A

2.00MM PITCH 12 PIN BATTERY CONNECTOR

SPECIFICATION:

ELECTRICAL SPECIFICATION:

1.1 Rated Current: 2A

1.2 Rated Voltage: 250V

ENVIRONMENTAL:

2.1 Operation Temperature: -55°C ~ +125°C

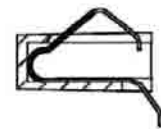
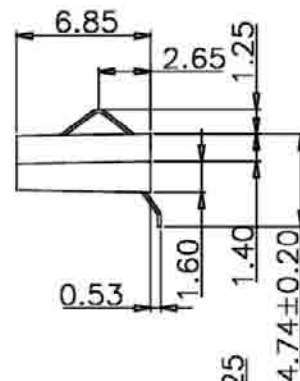
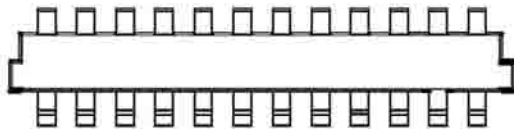
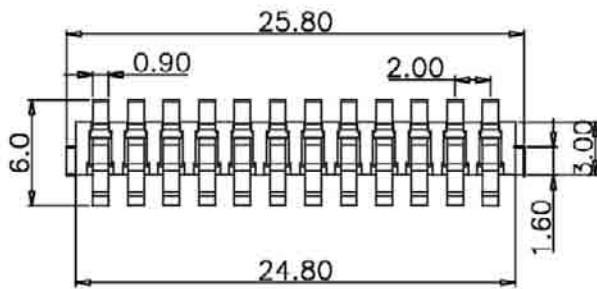
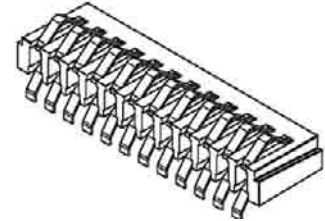
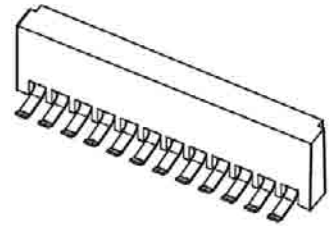
MATERIAL:

1.1 Housing: High Temp. Thermoplastic+Glass Fibre,
UL94V-0, Color: Black

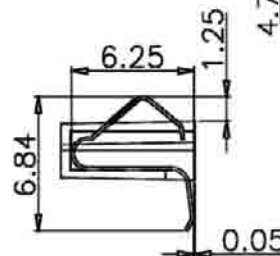
1.2 Terminal: Copper Alloy

Finish: Gold Plated On Contact Area,
Gold Flash All Over 50µ Nickel plated

* RoHS & REACH compliant.



Section A-A



ORDERING INFORMATION:

P/N B Y C 200 - 012 G 15 A
 1 2 3 4

1. CONTACT SPACING:
"200" 2.00MM
2. NO. OF CONTACTS:
012
3. CONTACT FINISH:
"15" 15 MICROINCH GOLD
4. CONNECTOR CODE:
A

2.14MM PITCH 3 PIN BATTERY CONNECTOR FOR BLUETOOTH EARPHONE

SPECIFICATION:

ELECTRICAL SPECIFICATION:

1.1 Rated Current: 2A

1.2 Rated Voltage: 250V

ENVIRONMENTAL:

2.1 Operation Temperature: -55°C ~ +125°C

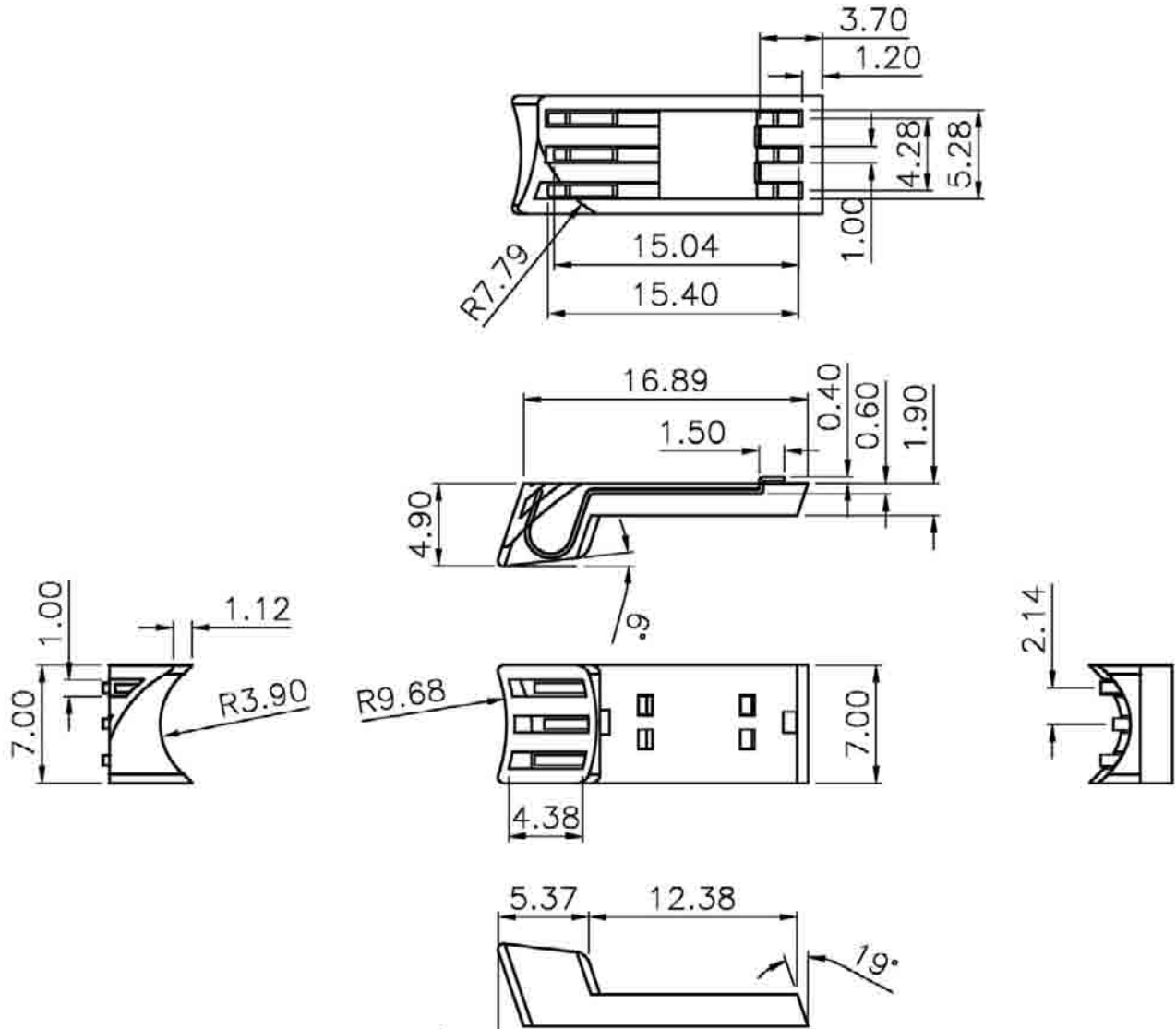
MATERIAL:

1.1 Housing: High Temp. Thermoplastic+Glass Fibre,
UL94V-0, Color: Black

1.2 Terminal: Copper Alloy

Finish: Gold Plated On Contact Area,
Gold Flash All Over 50µ Nickel plated

* RoHS & REACH compliant.



ORDERING INFORMATION:

P/N B Y C 2 14 - 003 G xx A
1 2 3 4

1. CONTACT SPACING:
"214" 2.14MM
2. NO. OF CONTACTS:
003
3. CONTACT FINISH:
"xx" UPON REQUEST
4. CONNECTOR CODE:
A

2.20MM PITCH 2 PIN BATTERY CONNECTOR H=4.2MM

SPECIFICATION:

ELECTRICAL SPECIFICATION:

1.1 Rated Current: 2A

1.2 Rated Voltage: 250V

ENVIRONMENTAL:

2.1 Operation Temperature: -55°C ~ +125°C

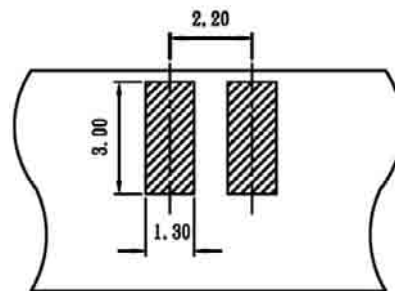
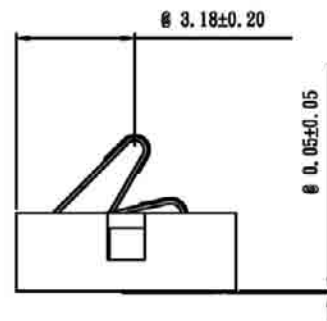
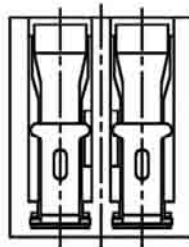
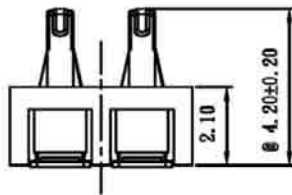
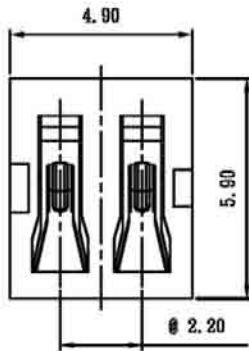
MATERIAL:

1.1 Housing: High Temp. Thermoplastic+Glass Fibre,
UL94V-0, Color: Black

1.2 Terminal: Copper Alloy

Finish: Gold Plated On Contact Area,
Gold Flash All Over 50µ Nickel plated

* RoHS & REACH compliant.



Recommended P.C.Board Layout
(TOP VIEW)

ORDERING INFORMATION:

P/N B Y C 2 2 0 - 0 0 2 G 1 5 A
 1 2 3 4

- CONTACT SPACING:
"220" 2.20MM
- NO. OF CONTACTS:
002
- CONTACT FINISH:
"15" 15 MICROINCH GOLD
- CONNECTOR CODE:
A

2.20MM PITCH 3 PIN BATTERY CONNECTOR H=4.2MM

SPECIFICATION:

ELECTRICAL SPECIFICATION:

1.1 Rated Current: 2A

1.2 Rated Voltage: 250V

ENVIRONMENTAL:

2.1 Operation Temperature: -55°C ~ +125°C

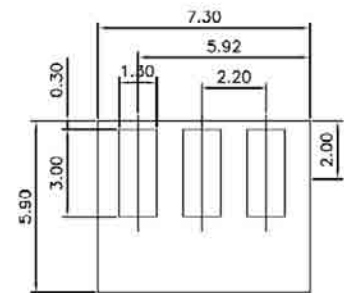
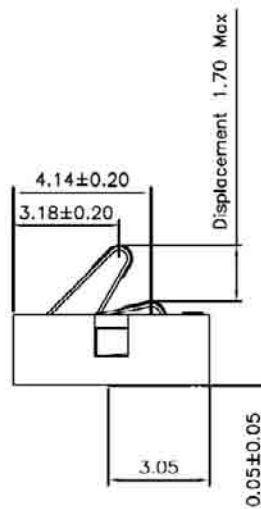
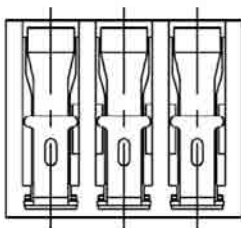
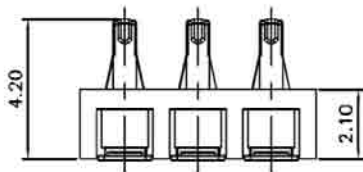
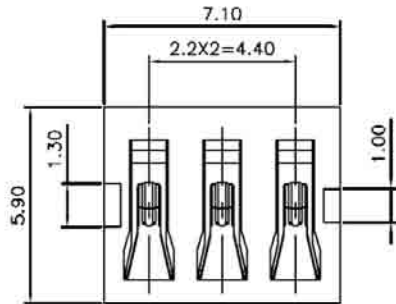
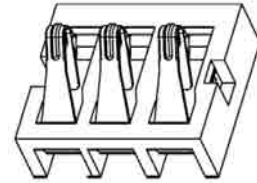
MATERIAL:

1.1 Housing: High Temp. Thermoplastic+Glass Fibre,
UL94V-0, Color: Black

1.2 Terminal: Copper Alloy

Finish: Gold Plated On Contact Area,
Gold Flash All Over 50µ Nickel plated

* RoHS & REACH compliant.



Recommended P.C.Board Layout
(TOP VIEW)

ORDERING INFORMATION:

P/N B Y C 2 2 0 - 0 0 3 G 0 1 A

1. CONTACT SPACING:
"220" 2.20MM
2. NO. OF CONTACTS:
003
3. CONTACT FINISH:
"01" GOLD FLASH
4. CONNECTOR CODE:
A

2.20MM PITCH 3 PIN BATTERY CONNECTOR H=4.2MM

SPECIFICATION:

ELECTRICAL SPECIFICATION:

1.1 Rated Current: 2A

1.2 Rated Voltage: 250V

ENVIRONMENTAL:

2.1 Operation Temperature: -55°C ~ +125°C

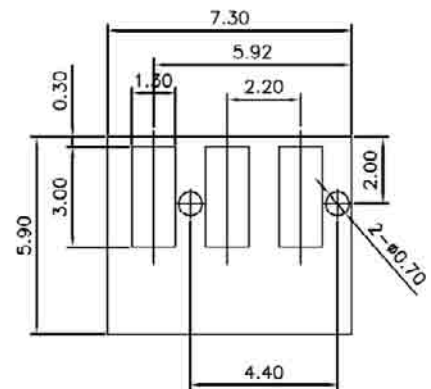
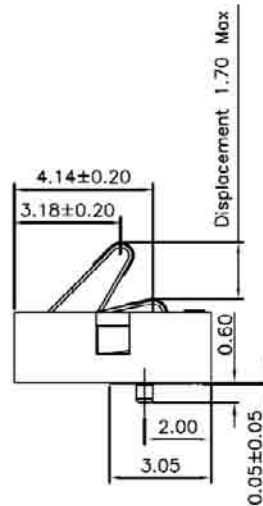
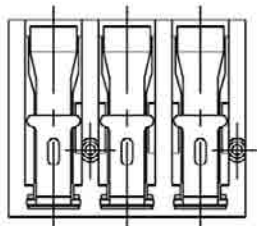
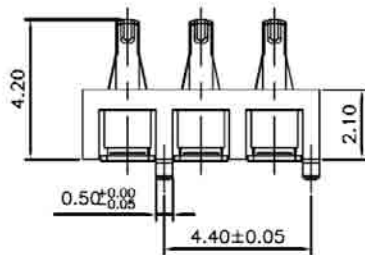
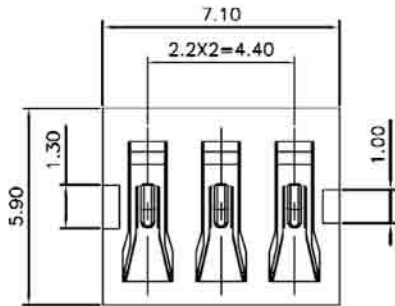
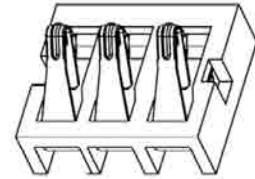
MATERIAL:

1.1 Housing: High Temp. Thermoplastic+Glass Fibre,
UL94V-0, Color: Black

1.2 Terminal: Copper Alloy

Finish: Gold Plated On Contact Area,
Gold Flash All Over 50µ Nickel plated

* RoHS & REACH compliant.



Recommended P.C.Board Layout
(TOP VIEW)

ORDERING INFORMATION:

P/N B Y C 2 2 0 - 0 0 3 G 0 1 B

1. CONTACT SPACING:
"220" 2.20MM
2. NO. OF CONTACTS:
003
3. CONTACT FINISH:
"01" GOLD FLASH
4. CONNECTOR CODE:
B

2.20MM PITCH 4 PIN BATTERY CONNECTOR H=4.2MM

SPECIFICATION:

ELECTRICAL SPECIFICATION:

1.1 Rated Current: 2A

1.2 Rated Voltage: 250V

ENVIRONMENTAL:

2.1 Operation Temperature: -55°C ~ +125°C

MATERIAL:

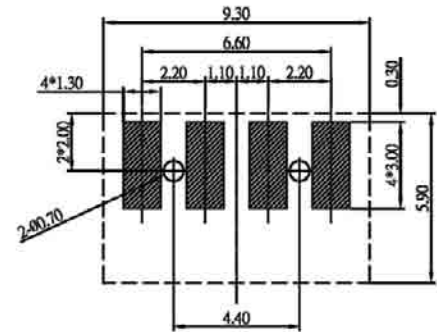
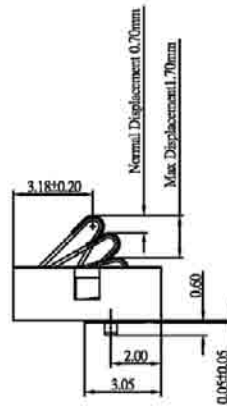
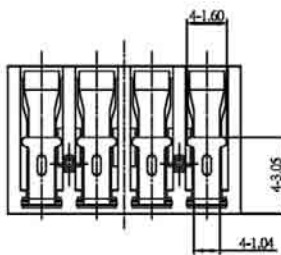
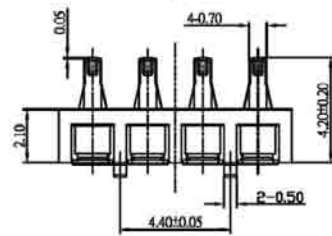
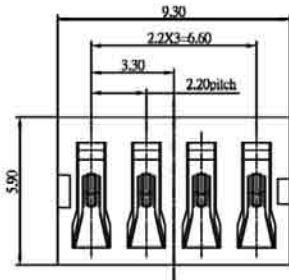
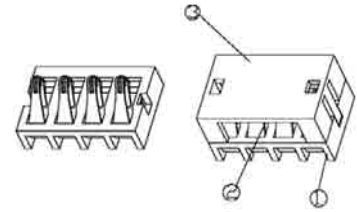
1.1 Housing: High Temp. Thermoplastic+Glass Fibre,
UL94V-0, Color: Black

1.2 Terminal: Copper Alloy

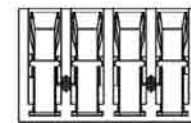
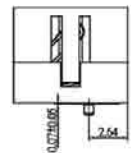
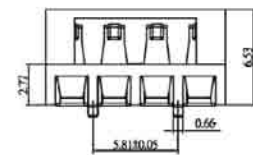
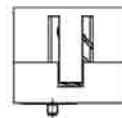
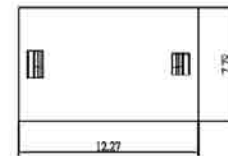
Finish: Gold Plated On Contact Area,
Gold Flash All Over 50µ Nickel plated

1.3 Cover: High Temp. Thermoplastic+Glass Fibre,
UL94V-0, Color: Black

* RoHS & REACH compliant.



Recommended P.C.Board Layout
(TOP VIEW)



ORDERING INFORMATION:

P/N B Y C 2 2 0 - 0 0 4 G 0 1 A
1 2 3 4

1. CONTACT SPACING:
"220" 2.20MM
2. NO. OF CONTACTS:
004
3. CONTACT FINISH:
"01" GOLD FLASH
4. CONNECTOR CODE:
A

2.30MM PITCH 3 PIN BATTERY CONNECTOR 3A/12V H=4.5MM

SPECIFICATION:

ELECTRICAL SPECIFICATION:

1.1 Rated Current: 3A

1.2 Rated Voltage: 12V

ENVIRONMENTAL:

2.1 Operation Temperature: -40°C ~ +85°C

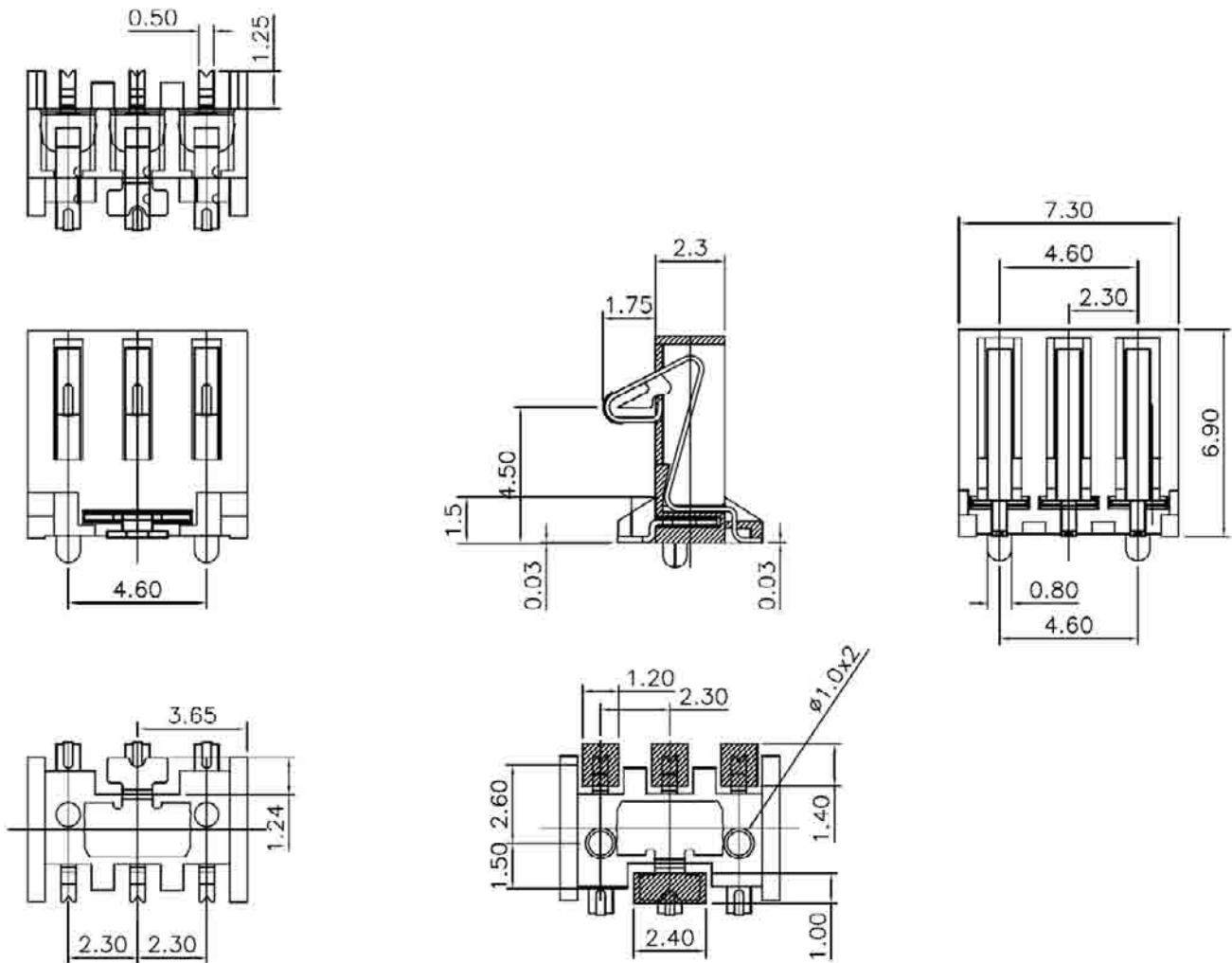
MATERIAL:

1.1 Housing: High Temp. Thermoplastic+Glass Fibre,
UL94V-0, Color: Black

1.2 Terminal: Copper Alloy

Finish: Gold Plated On Contact Area,
Gold Flash All Over 50µ Nickel plated

* RoHS & REACH compliant.



Recommended P.C.Board Layout

ORDERING INFORMATION:

P/N B Y C 2 3 0 - 0 0 3 G x x A
1 2 3 4

1. CONTACT SPACING:
"230" 2.30MM
2. NO. OF CONTACTS:
003
3. CONTACT FINISH:
"xx" UPON REQUEST
4. CONNECTOR CODE:
A

2.50 MM PITCH ALL PIN BATTERY CONNECTOR H= 2.9MM

SPECIFICATIONS

Voltage Current Rating: 6A, 30VAC

Dielectric Withstanding: 500VAC For 1 Minute

Contact Resistance: 30mΩ Max

Insulation R.: 1000MΩ Min

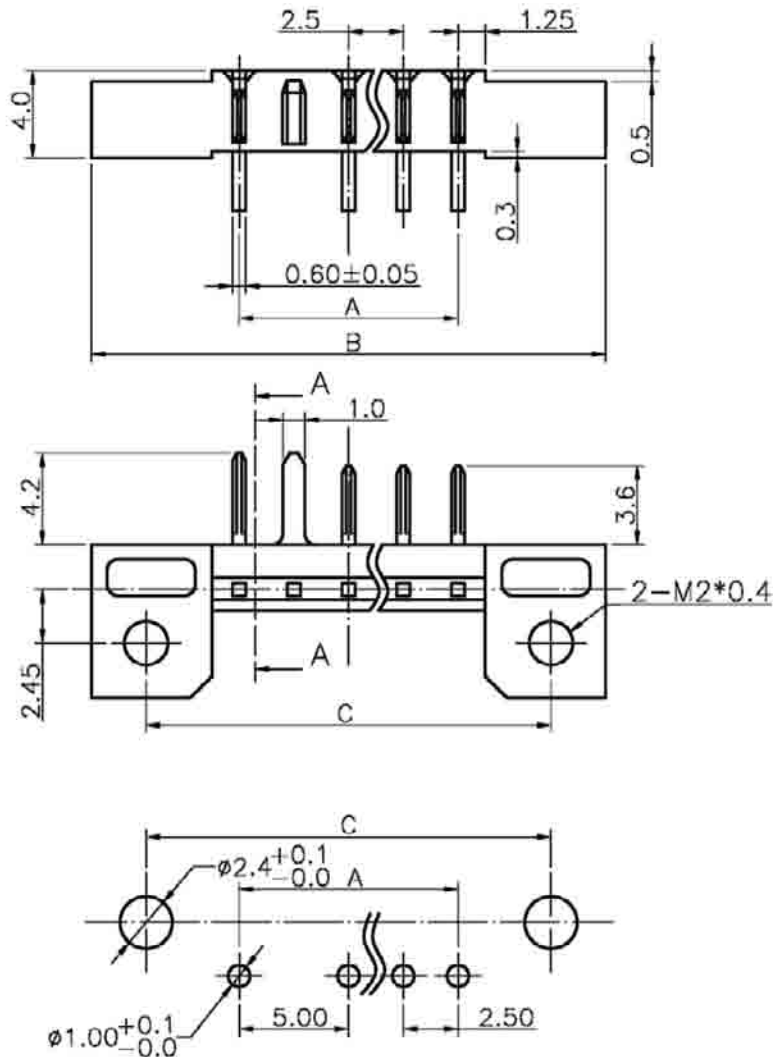
Operating Temperature: -55°C ~ +105°C

MATERIAL:

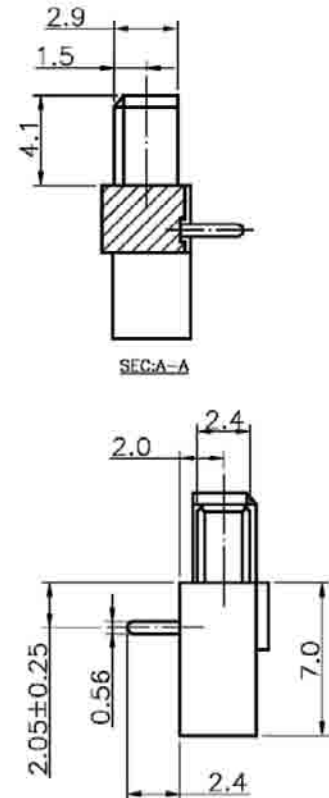
Housing: NY, UL 94V-0

Contact: Copper Alloy

* RoHS & REACH compliant.



Recommended P.C.Board Layout



PINS	DIMENSION		
	A	B	C
3	7.5	21.0	16.0
4	10.0	23.5	18.5
5	12.5	26.0	21.0
6	15.0	28.5	23.5
7	17.5	31.0	26.0
8	20.0	33.5	28.5
9	22.5	36.0	31.0
10	25.0	38.5	33.5

ORDERING INFORMATION:

P/N B Y C 250A - xxx G xx

1 2 3

- 1.CONTACT SPACING:
"250A" 2.50MM
- 2.NO. OF CONTACTS:
003 ~ 010
- 3.CONTACT FINISH:
"01" GOLD FLASH

2.50 MM PITCH ALL PIN BATTERY MALE CONNECTOR H= 3.5MM

SPECIFICATIONS

Voltage Current Rating: 6A, 30VAC

Dielectric Withstanding: 500VAC For 1 Minute

Contact Resistance: 30mΩ Max

Insulation R.: 1000MΩ Min

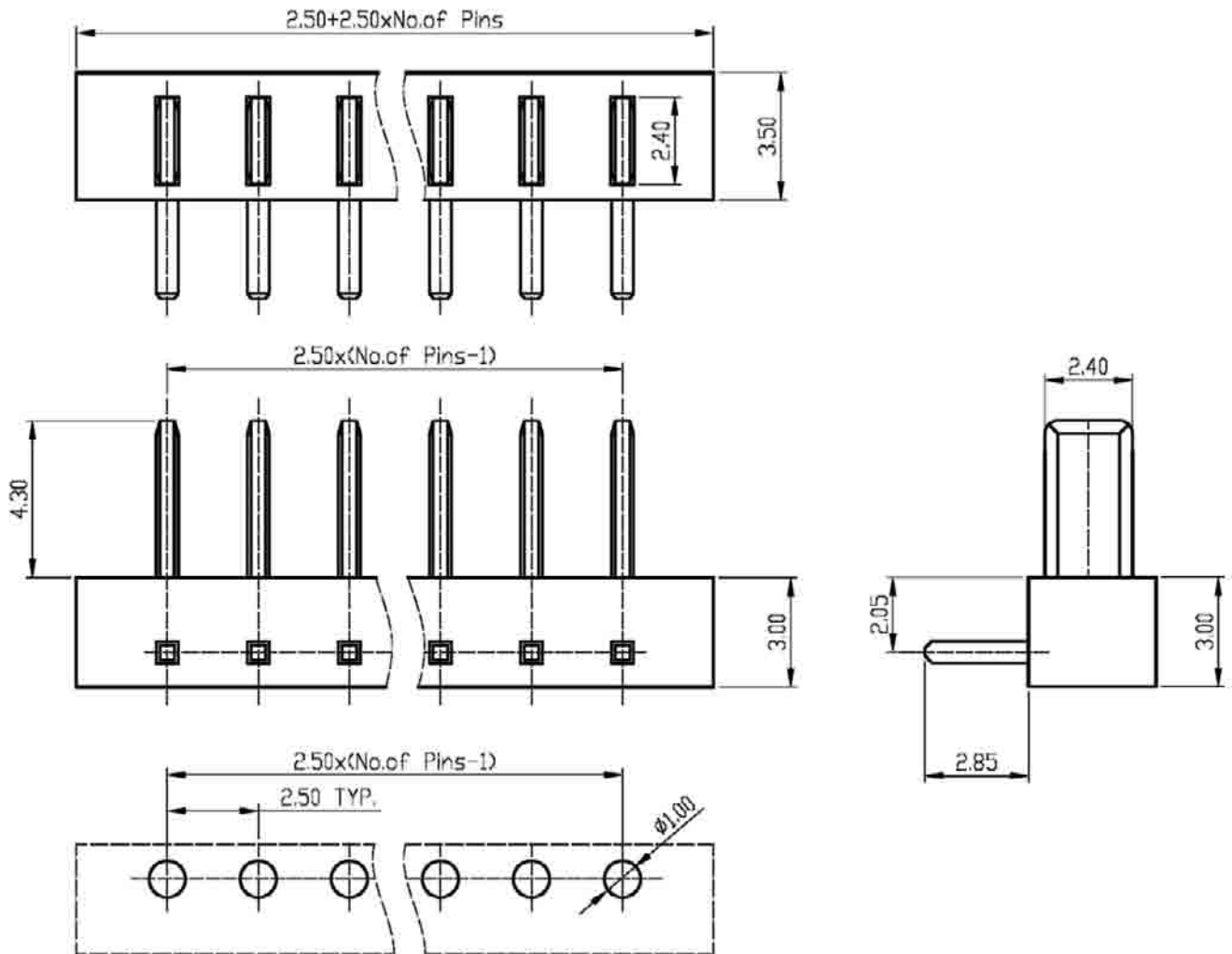
Operating Temperature: -55°C ~ +105°C

MATERIAL:

Housing: LCP, UL 94V-0

Contact: Copper Alloy

* RoHS & REACH compliant.



Recommended P.C.Board Layout

ORDERING INFORMATION:

P/N B Y C 250B - xxx G xx

1 2 3

1.CONTACT SPACING:

"250B" 2.50MM

2.NO. OF CONTACTS:

003 ~ 010

3.CONTACT FINISH:

"01" GOLD FLASH

"10" 10 MICROINCH GOLD

2.50 MM PITCH ALL PIN BATTERY MALE CONNECTOR H= 3.5MM

SPECIFICATIONS

Voltage Current Rating: 6A, 30VAC

Dielectric Withstanding: 500VAC For 1 Minute

Contact Resistance: 30mΩ Max

Insulation R.: 1000MΩ Min

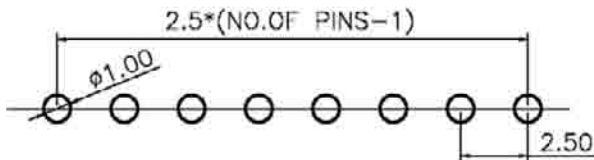
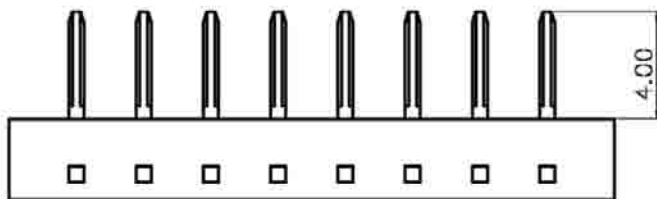
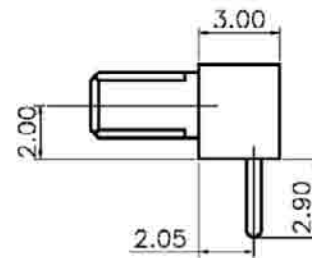
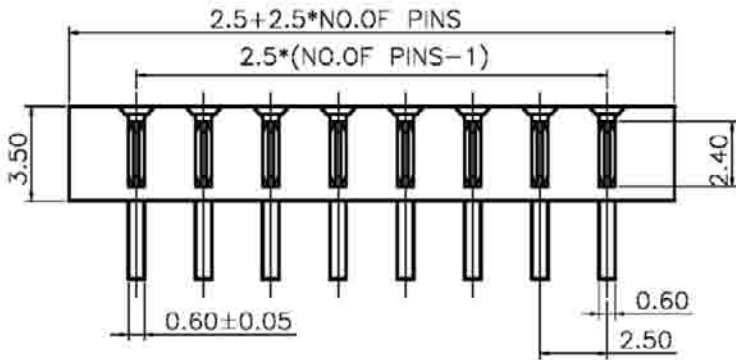
Operating Temperature: -55°C ~ +105°C

MATERIAL:

Housing: Hi-Temp. Thermoplastic

Contact: Copper Alloy

* RoHS & REACH compliant.



Recommended P.C.Board Layout

②	TERMINAL	COPPER ALLOY T=0.6	Au-Plating
①	HOUSING	NY9T	BLACK
NO.	PART NAME	MATERIAL	STATUS

ORDERING INFORMATION:

P/N B Y C 250C - xxx G xx

1 2 3

1.CONTACT SPACING:

"250C" 2.50MM

2.NO. OF CONTACTS:

003 ~ 010

3.CONTACT FINISH:

"05" 5 MICROINCH GOLD

2.50 MM PITCH ALL PIN BATTERY MALE FEMALE CONNECTOR H= 6.5MM

SPECIFICATIONS

Voltage Current Rating: 6A, 30VAC

Dielectric Withstanding: 500VAC For 1 Minute

Contact Resistance: 30mΩ Max

Insulation R.: 1000MΩ Min

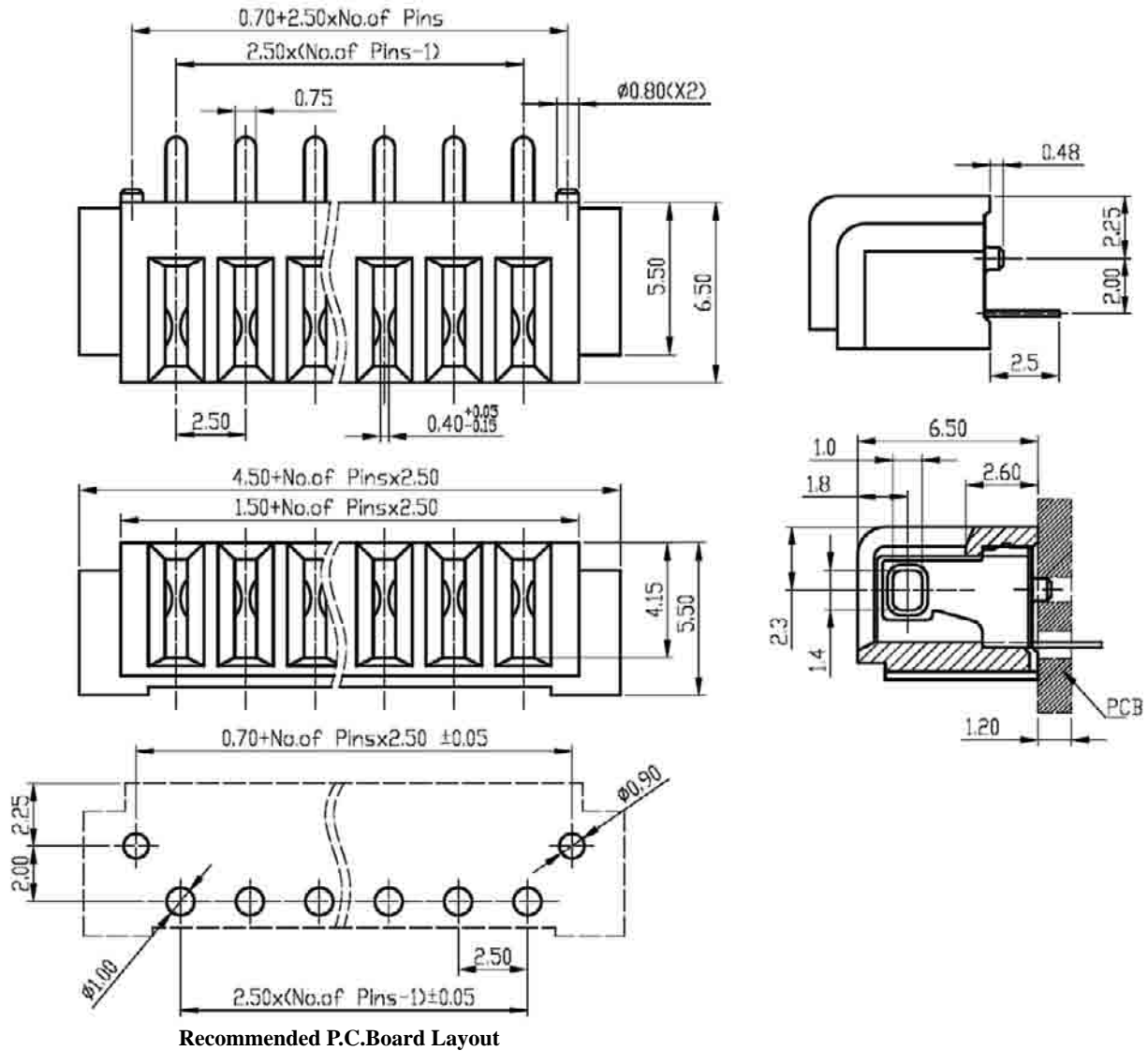
Operating Temperature: -55°C ~ +105°C

MATERIAL:

Housing: LCP, UL 94V-0

Contact: Copper Alloy

* RoHS & REACH compliant.



ORDERING INFORMATION:

P/N B Y C 250D - xxx G xx

1 2 3

1.CONTACT SPACING:

"250D" 2.50MM

2.NO. OF CONTACTS:

003 ~ 010

3.CONTACT FINISH:

"01" GOLD FLASH

"10" 10 MICROINCH GOLD

2.50 MM PITCH ALL PIN BATTERY MALE FEMALE CONNECTOR H= 6.5MM

SPECIFICATIONS

Voltage Current Rating: 6A, 30VAC

Dielectric Withstanding: 500VAC For 1 Minute

Contact Resistance: 30mΩ Max

Insulation R.: 1000MΩ Min

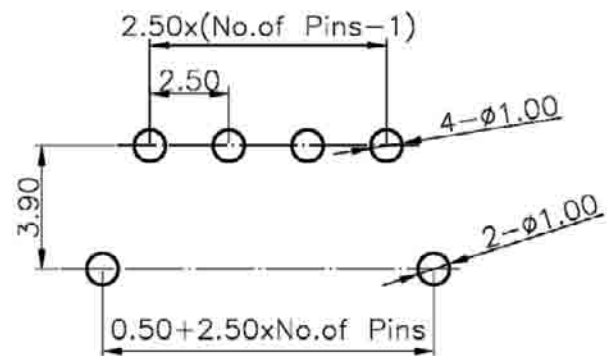
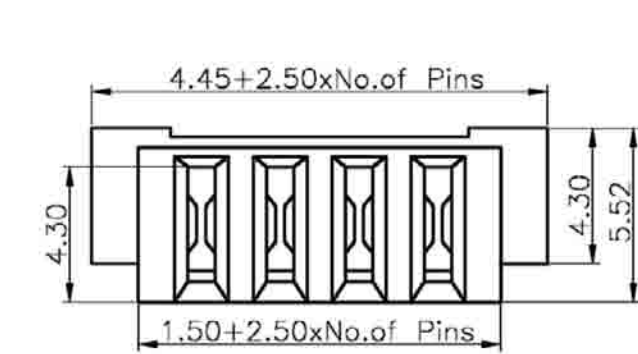
Operating Temperature: -55°C ~ +105°C

MATERIAL:

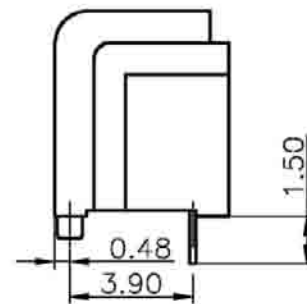
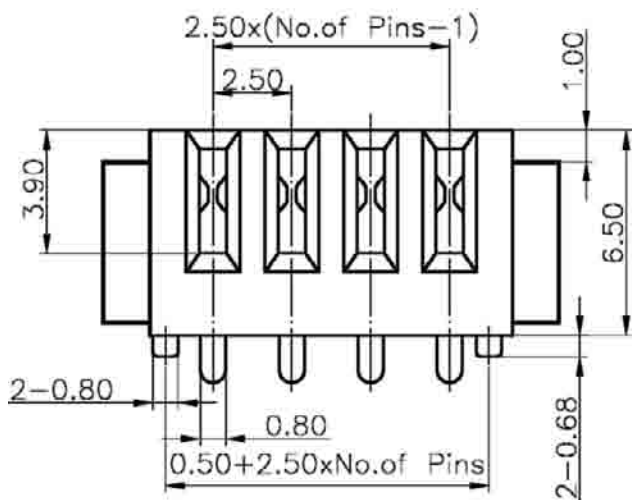
Housing: Hi-Temp. Thermoplastic

Contact: Copper Alloy

* RoHS & REACH compliant.



Recommended P.C. Board Layout



②	TERMINAL	COPPER ALLOY T=0.30	Au-Plating
①	HOUSING	NY9T	BLACK
NO.	PART NAME	MATERIAL	STATUS

ORDERING INFORMATION:

P/N B Y C 250E - xxx G xx

1 2 3

1.CONTACT SPACING:

"250E" 2.50MM

2.NO. OF CONTACTS:

003 ~ 010

3.CONTACT FINISH:

"05" 5 MICROINCH GOLD

2.50MM PITCH 2 PIN BATTERY CONNECTOR H=3.45MM

SPECIFICATION:

ELECTRICAL SPECIFICATION:

1.1 Rated Current: 2A

1.2 Rated Voltage: 250V

ENVIRONMENTAL:

2.1 Operation Temperature: -55°C ~ +125°C

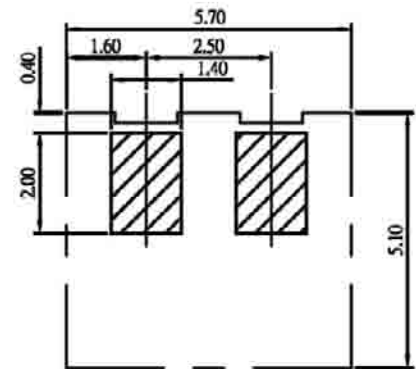
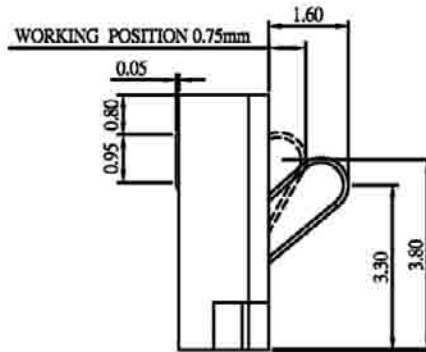
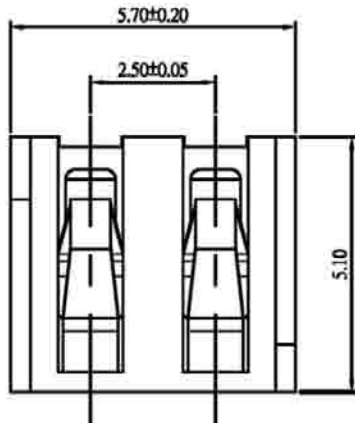
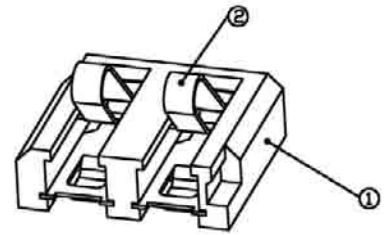
MATERIAL:

1.1 Housing: High Temp. Thermoplastic+Glass Fibre,
UL94V-0, Color: Black

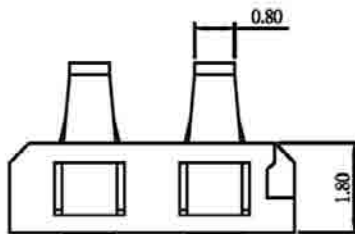
1.2 Terminal: Copper Alloy

Finish: Gold Plated On Contact Area,
Gold Flash All Over 50µ Nickel plated

* RoHS & REACH compliant.



Recommended P.C.Board Layout
(TOP VIEW)



ORDERING INFORMATION:

P/N B Y C 2 5 0 - 0 0 2 G 0 3 A
 1 2 3 4

1. CONTACT SPACING:

"250" 2.50MM

2. NO. OF CONTACTS:

002

3. CONTACT FINISH:

"03" 3 MICRINCH GOLD

4. CONNECTOR CODE:

A

2.50MM PITCH 3 PIN BATTERY CONNECTOR 2A/12V H=3.0MM

SPECIFICATION:

ELECTRICAL SPECIFICATION:

1.1 Rated Current: 2A

1.2 Rated Voltage: 12V

ENVIRONMENTAL:

2.1 Operation Temperature: -30°C ~ +80°C

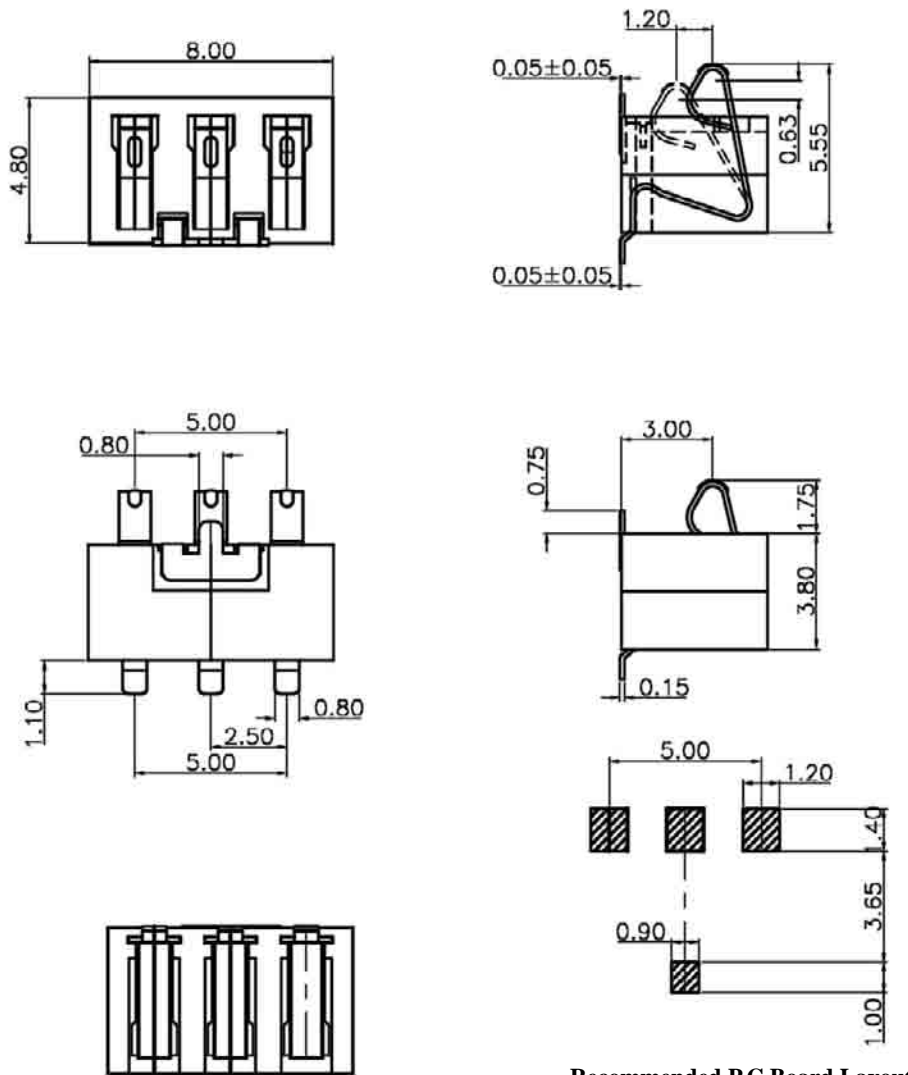
MATERIAL:

1.1 Housing: High Temp. Thermoplastic+Glass Fibre,
UL94V-0, Color: Black

1.2 Terminal: Copper Alloy

Finish: Gold Plated On Contact Area,
Gold Flash All Over 50µ Nickel plated

* RoHS & REACH compliant.



Recommended P.C.Board Layout

ORDERING INFORMATION:

P/N B Y C 2 50 - 003 G x x A
1 2 3 4

1. CONTACT SPACING:
"250" 2.50MM

2. NO. OF CONTACTS:
003

3. CONTACT FINISH:
"xx" UPON REQUEST

4. CONNECTOR CODE:
A

2.50MM PITCH 3 PIN BATTERY CONNECTOR FOR IPOD 2A/12V H=3.0MM

SPECIFICATION:

ELECTRICAL SPECIFICATION:

1.1 Rated Current: 2A

1.2 Rated Voltage: 12V

ENVIRONMENTAL:

2.1 Operation Temperature: -30°C ~ +80°C

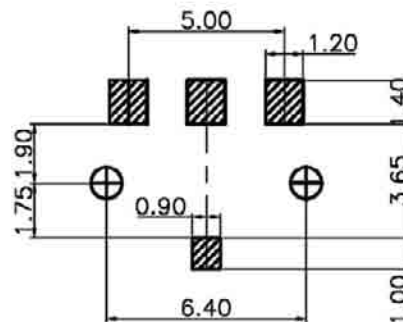
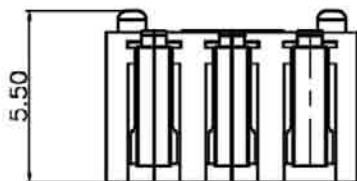
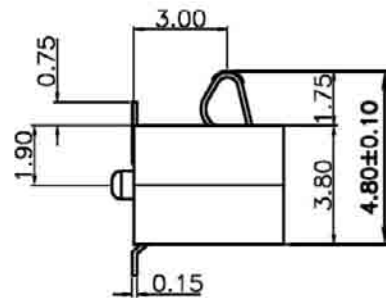
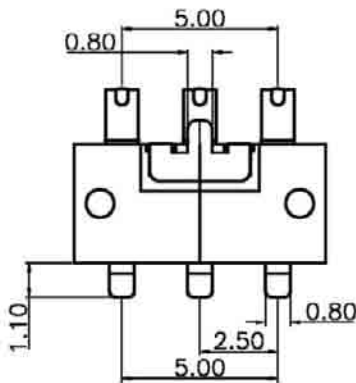
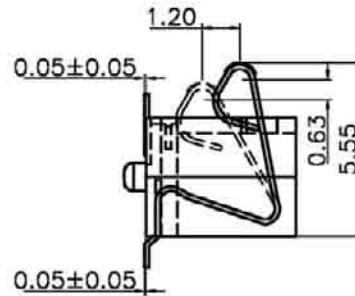
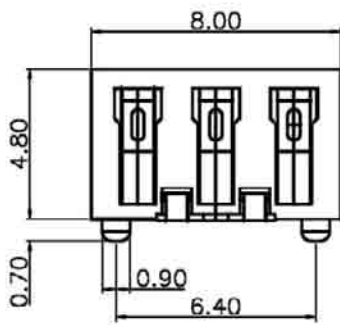
MATERIAL:

1.1 Housing: High Temp. Thermoplastic+Glass Fibre,
UL94V-0, Color: Black

1.2 Terminal: Copper Alloy

Finish: Gold Plated On Contact Area,
Gold Flash All Over 50µ Nickel plated

* RoHS & REACH compliant.



Recommended P.C.Board Layout

ORDERING INFORMATION:

P/N B Y C 2 5 0 - 0 0 3 G 3 0 B

1. CONTACT SPACING:
"250" 2.50MM
2. NO. OF CONTACTS:
003
3. CONTACT FINISH:
"30" 30 MICROINCH GOLD
4. CONNECTOR CODE:
B

2.50MM PITCH 3 PIN BATTERY CONNECTOR H=3.7MM

SPECIFICATION:

ELECTRICAL SPECIFICATION:

1.1 Rated Current: 0.5A

1.2 Rated Voltage: 50V

ENVIRONMENTAL:

2.1 Operation Temperature: -25°C ~ +85°C

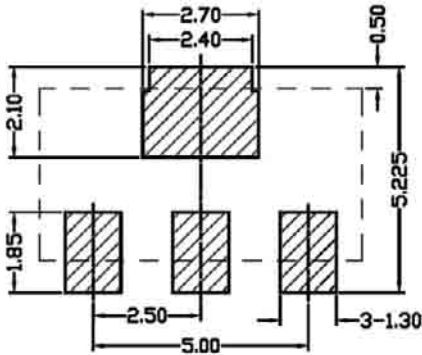
MATERIAL:

1.1 Housing: High Temp. Thermoplastic+Glass Fibre,
UL94V-0, Color: Black

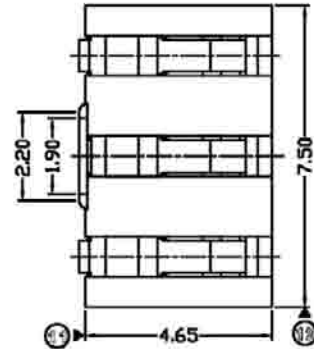
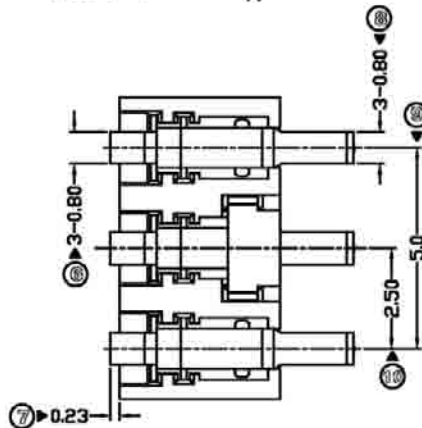
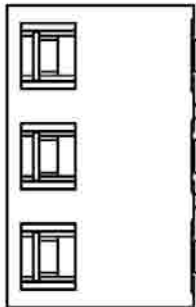
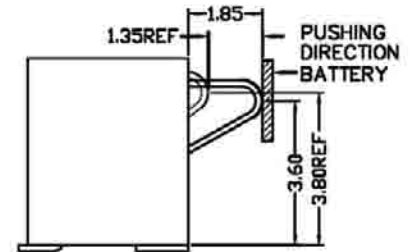
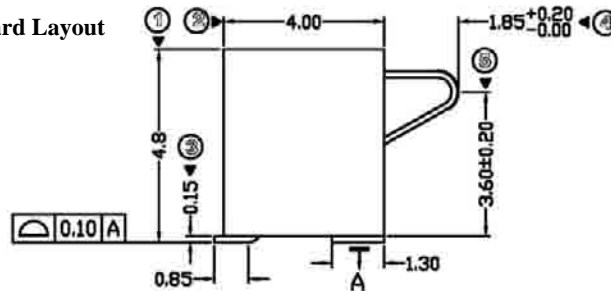
1.2 Terminal: Copper Alloy

Finish: Gold Plated On Contact Area,
Gold Flash All Over 50µ Nickel plated

* RoHS & REACH compliant.



Recommended P.C.Board Layout



ORDERING INFORMATION:

P/N B Y C 2 5 0 - 0 0 3 G 0 5 C
1 2 3 4

1. CONTACT SPACING:
"250" 2.50MM
2. NO. OF CONTACTS:
003
3. CONTACT FINISH:
"05" 5 MICROINCH GOLD
4. CONNECTOR CODE:
C

2.50MM PITCH 3 PIN BATTERY CONNECTOR H=4.0MM

SPECIFICATION:

ELECTRICAL SPECIFICATION:

1.1 Rated Current: 2A

1.2 Rated Voltage: 250V

ENVIRONMENTAL:

2.1 Operation Temperature: -55°C ~ +125°C

MATERIAL:

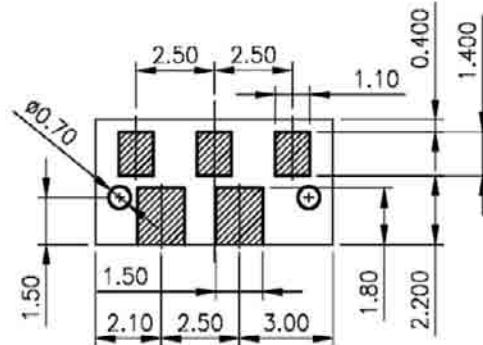
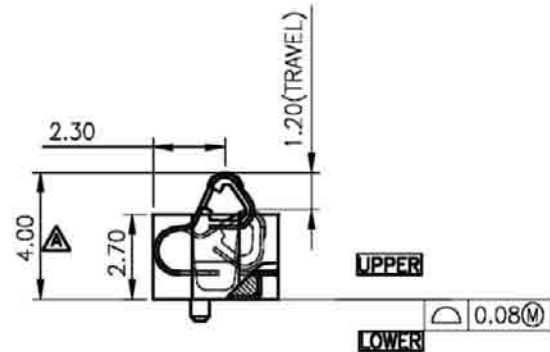
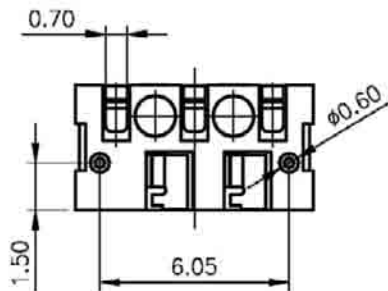
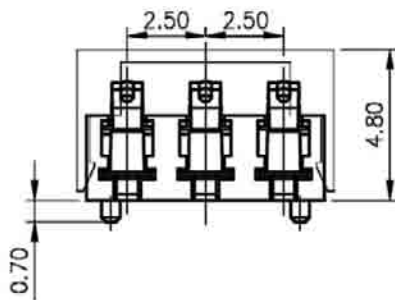
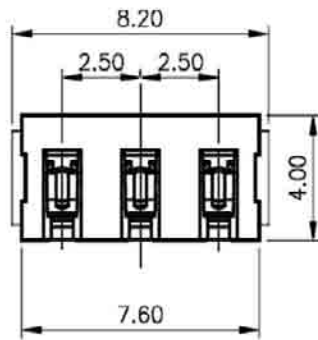
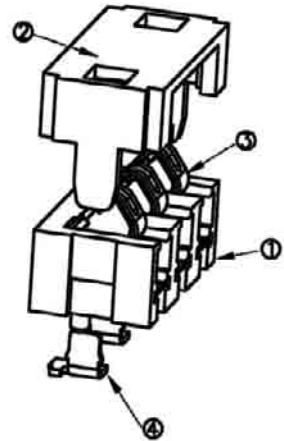
1.1 Housing: High Temp. Thermoplastic+Glass Fibre,
UL94V-0, Color: Black

1.2 Terminal: Copper Alloy

Finish: Gold Plated On Contact Area,
Gold Flash All Over 50µ Nickel plated

1.3 Cover: High Temp. Thermoplastic+Glass Fibre,
UL94V-0, Color: Black

* RoHS & REACH compliant.



Recommended P.C.Board Layout

ORDERING INFORMATION:

P/N B Y C 250 - 003 G xx D

1 2 3 4

1. CONTACT SPACING:

"250" 2.50MM

2. NO. OF CONTACTS:

003

3. CONTACT FINISH:

"xx" UPON REQUEST

4. CONNECTOR CODE:

D

2.50MM PITCH 3 PIN BATTERY CONNECTOR H=4.72MM

SPECIFICATION:

ELECTRICAL SPECIFICATION:

1.1 Rated Current: 2A

1.2 Rated Voltage: 250V

ENVIRONMENTAL:

2.1 Operation Temperature: -55°C ~ +125°C

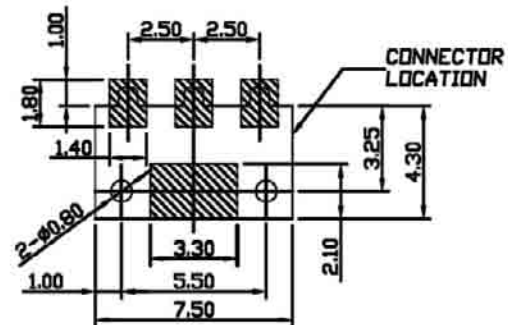
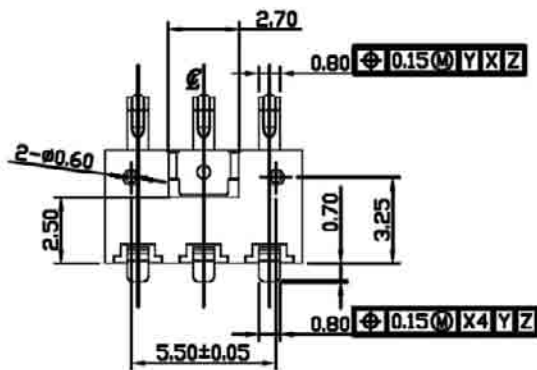
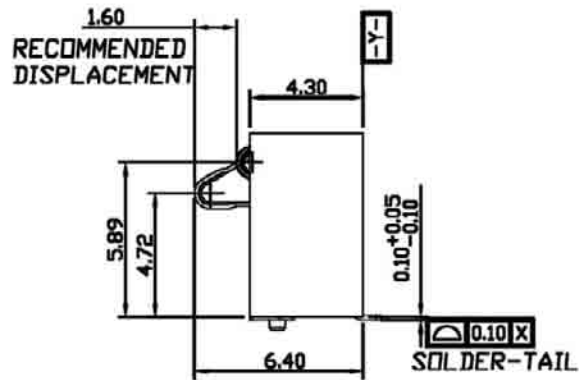
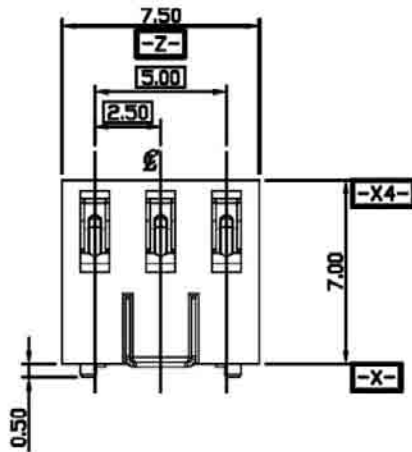
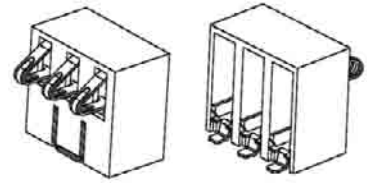
MATERIAL:

1.1 Housing: High Temp. Thermoplastic+Glass Fibre,
UL94V-0, Color: Black

1.2 Terminal: Copper Alloy

Finish: Gold Plated On Contact Area,
Gold Flash All Over 50µ" Nickel plated

* RoHS & REACH compliant.



Recommended P.C.Board Layout

ORDERING INFORMATION:

P/N B Y C 2 5 0 - 0 3 G 1 5 E
1 2 3 4

1. CONTACT SPACING:
"250" 2.50MM
2. NO. OF CONTACTS:
003
3. CONTACT FINISH:
"15" 15 MICROINCH GOLD
4. CONNECTOR CODE:
E

2.50MM PITCH 3 PIN BATTERY CONNECTOR H=3.4MM

SPECIFICATION:

ELECTRICAL SPECIFICATION:

1.1 Rated Current: 2A

1.2 Rated Voltage: 250V

ENVIRONMENTAL:

2.1 Operation Temperature: -55°C ~ +125°C

MATERIAL:

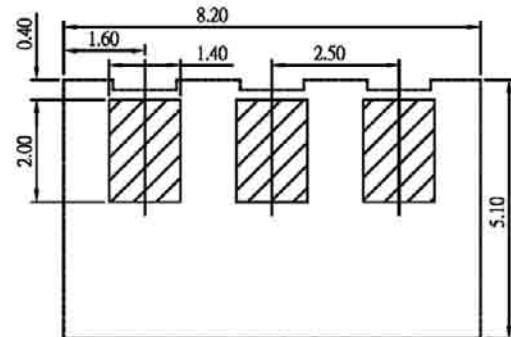
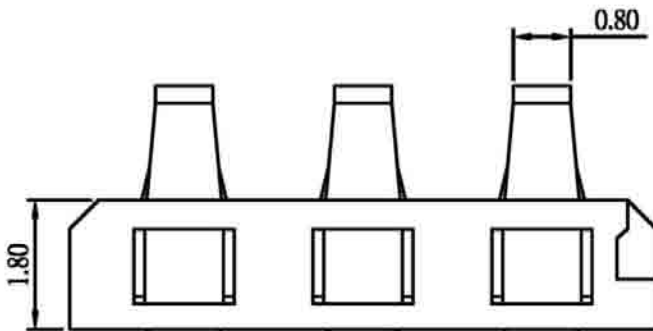
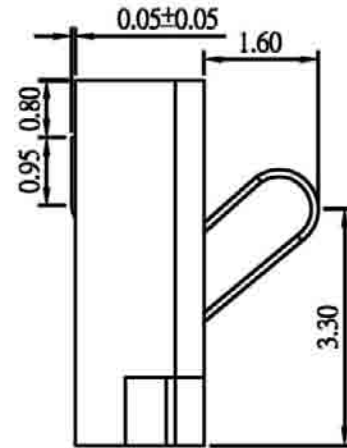
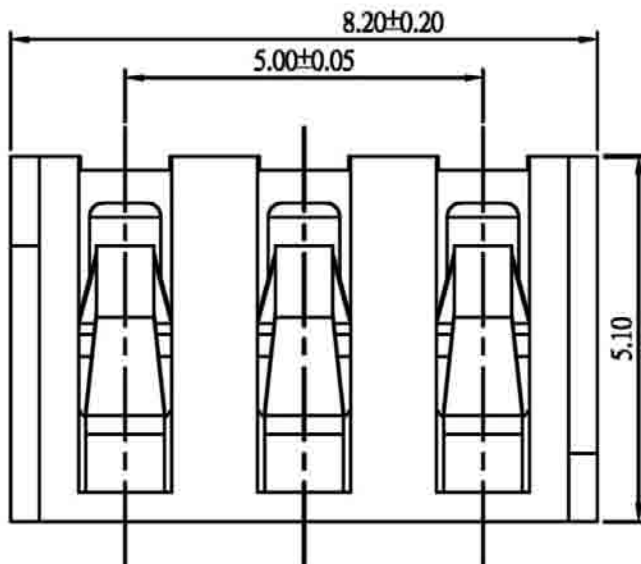
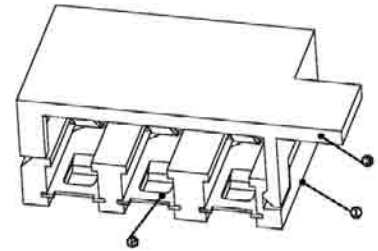
1.1 Housing: High Temp. Thermoplastic+Glass Fibre,
UL94V-0, Color: Black

1.2 Terminal: Copper Alloy

Finish: Gold Plated On Contact Area,
Gold Flash All Over 50µ Nickel plated

1.3 Cover: High Temp. Thermoplastic+Glass Fibre,
UL94V-0, Color: Black

* RoHS & REACH compliant.



Recommended P.C.Board Layout

ORDERING INFORMATION:

P/N B Y C 2 5 0 - 0 0 3 G 0 3 F
1 2 3 4

1. CONTACT SPACING:

"250" 2.50MM

2. NO. OF CONTACTS:

003

3. CONTACT FINISH:

"03" 3 MICRINCH GOLD

4. CONNECTOR CODE:

F

2.50MM PITCH 3 PIN BATTERY CONNECTOR 0.5A/50V H=4.9MM

SPECIFICATION:

ELECTRICAL SPECIFICATION:

1.1 Rated Current: 0.5A

1.2 Rated Voltage: 50V

ENVIRONMENTAL:

2.1 Operation Temperature: -25°C ~ +85°C

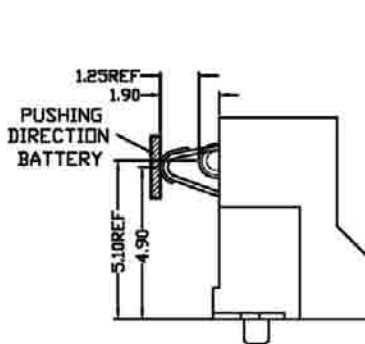
MATERIAL:

1.1 Housing: High Temp. Thermoplastic+Glass Fibre,
UL94V-0, Color: Black

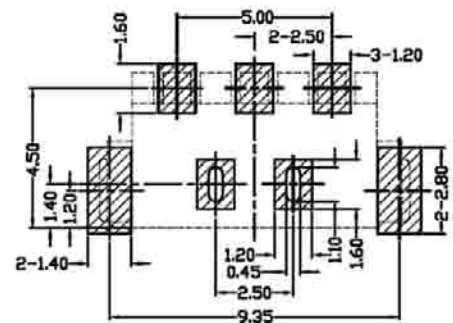
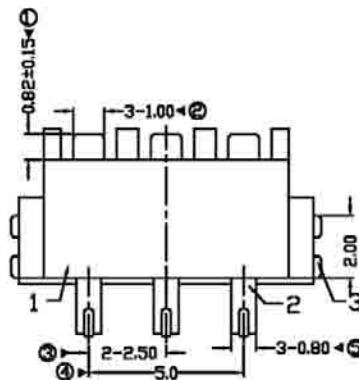
1.2 Terminal: Copper Alloy

Finish: Gold Plated On Contact Area,
Gold Flash All Over 50µ Nickel plated

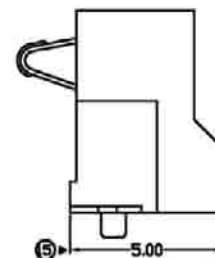
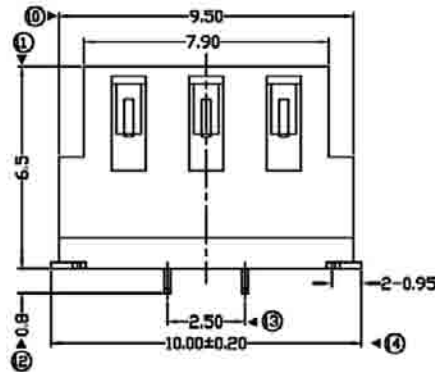
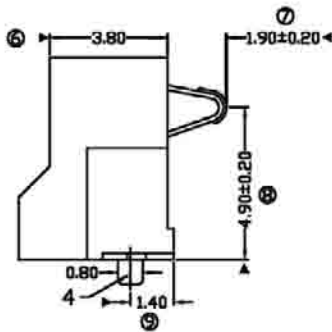
* RoHS & REACH compliant.



USE GUIDE



Recommended P.C.Board Layout



ORDERING INFORMATION:

P/N B Y C 250 - 003 G xx G
1 2 3 4

1. CONTACT SPACING:

"250" 2.50MM

2. NO. OF CONTACTS:

003

3. CONTACT FINISH:

"xx" UPON REQUEST

4. CONNECTOR CODE:

G

2.50MM PITCH 3 PIN BATTERY CONNECTOR 0.5A/50V H=5.0MM

SPECIFICATION:

ELECTRICAL SPECIFICATION:

1.1 Rated Current: 0.5A

1.2 Rated Voltage: 50V

ENVIRONMENTAL:

2.1 Operation Temperature: -25°C ~ +85°C

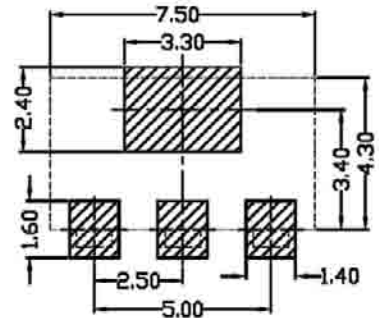
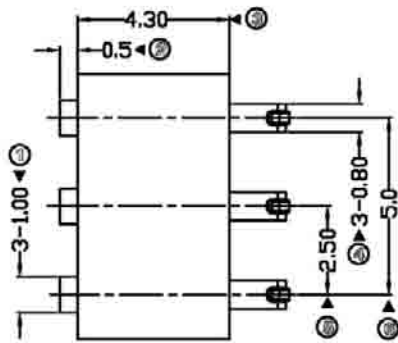
MATERIAL:

1.1 Housing: High Temp. Thermoplastic+Glass Fibre,
UL94V-0, Color: Black

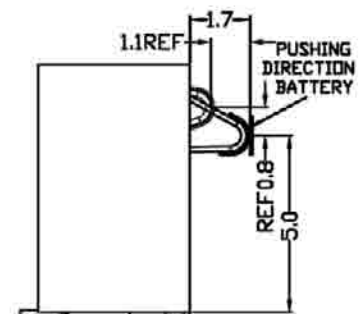
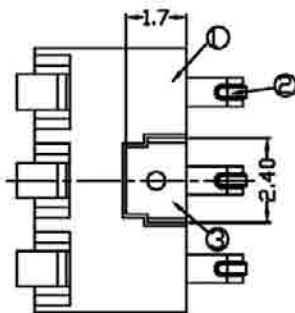
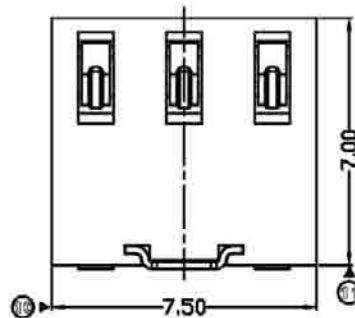
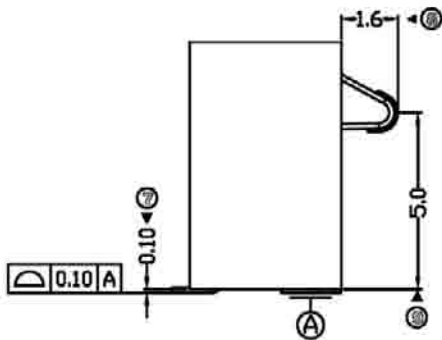
1.2 Terminal: Copper Alloy

Finish: Gold Plated On Contact Area,
Gold Flash All Over 50µ Nickel plated

* RoHS & REACH compliant.



Recommended P.C.Board Layout



USE GUIDE

ORDERING INFORMATION:

P/N B Y C 250 - 003 G 05 H
1 2 3 4

1. CONTACT SPACING:
"250" 2.50MM
2. NO. OF CONTACTS:
003
3. CONTACT FINISH:
"05" 5 MICRINCH GOLD
4. CONNECTOR CODE:
H

2.50 MM PITCH 3 PIN BATTERY CONNECTOR H= 4.37MM

SPECIFICATIONS

Voltage Current Rating: 6A, 30VAC

Dielectric Withstanding: 500VAC For 1 Minute

Contact Resistance: 30mΩ Max

Insulation R.: 1000MΩ Min

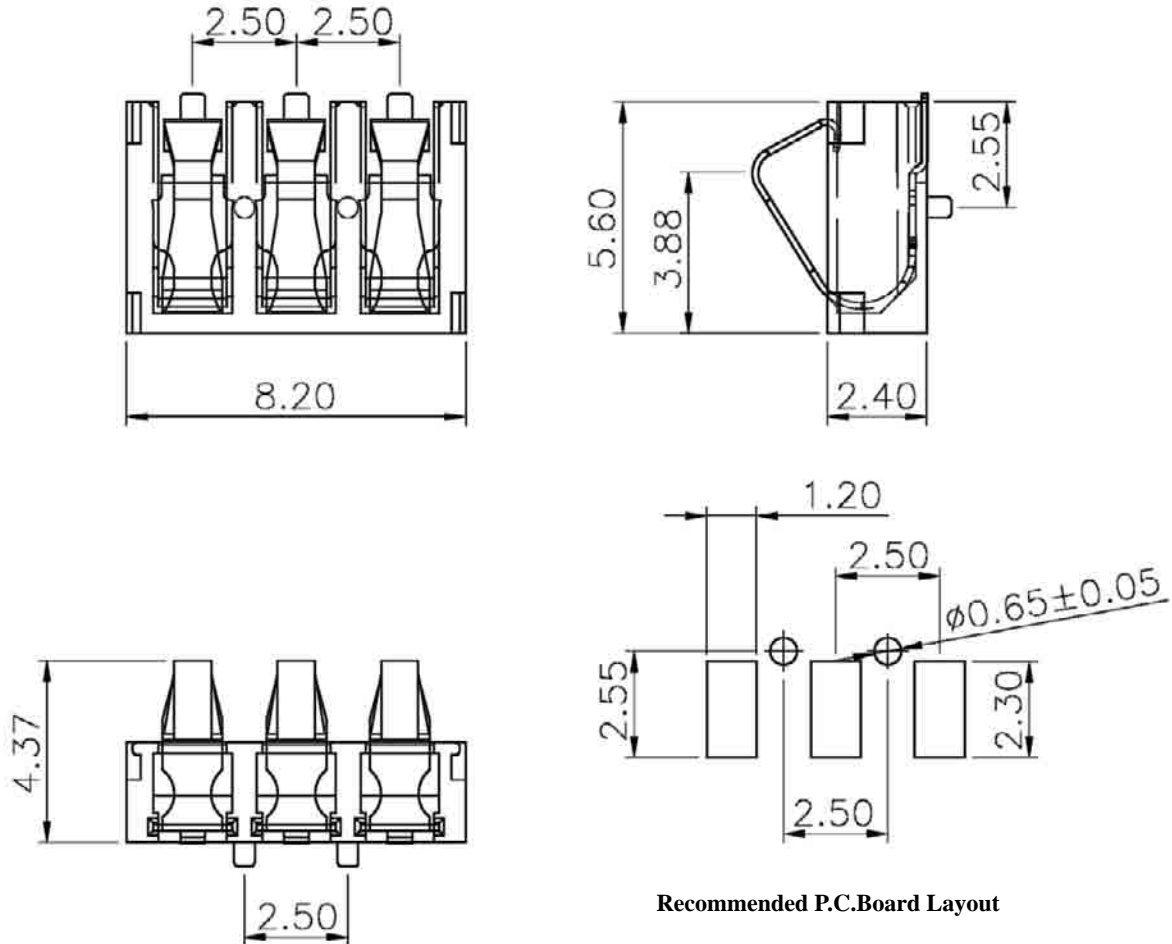
Operating Temperature: -55°C ~ +105°C

MATERIAL:

Housing: Hi-Temp. Thermoplastic

Contact: Copper Alloy

* RoHS & REACH compliant.



Recommended P.C.Board Layout

NO.	PART NAME	MATERIAL	STATUS
1	HOUSING	PA46	BK
2	CONTACT	Phosphor Bronze T=0.15	GF15U"

ORDERING INFORMATION:

P/N B Y C 2 50 - 003 G X X J

1 2 3 4

1.CONTACT SPACING:

"250" 2.50MM

2.NO. OF CONTACTS:

003

3.CONTACT FINISH:

"15" 15 MICROINCH GOLD

4.CONNECTOR CODE:

J

2.50 MM PITCH 3 PIN BATTERY CONNECTOR H= 5.20MM

SPECIFICATIONS

Voltage Current Rating: 6A, 30VAC

Dielectric Withstanding: 500VAC For 1 Minute

Contact Resistance: 30mΩ Max

Insulation R.: 1000MΩ Min

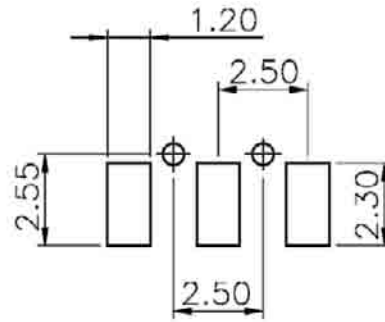
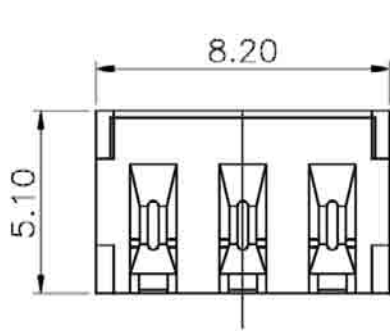
Operating Temperature: -55°C ~ +105°C

MATERIAL:

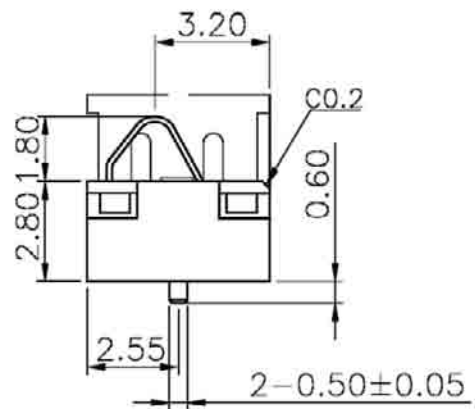
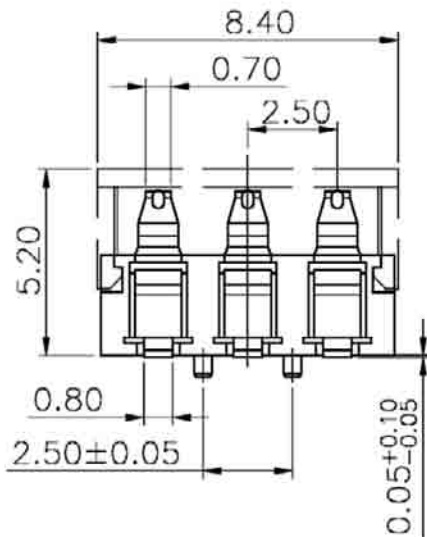
Housing: Hi-Temp. Thermoplastic

Contact: Copper Alloy

* RoHS & REACH compliant.



Recommended P.C.Board Layout



NO.	PART NAME	MATERIAL	STATUS
1	HOUSING	PA46	BK
2	CONTACT	Copper Alloy T=0.3	GF

ORDERING INFORMATION:

P/N B Y C 2 5 0 - 0 0 3 G 0 1 K

1.CONTACT SPACING:
"250" 2.50MM

2.NO. OF CONTACTS:
003

3.CONTACT FINISH:
"01" GOLD FLASH

4.CONNECTOR CODE:
K

2.50MM PITCH 4 PIN BATTERY CONNECTOR 0.5A/50V H=2.95MM

SPECIFICATION:

ELECTRICAL SPECIFICATION:

1.1 Rated Current: 0.5A

1.2 Rated Voltage: 50V

ENVIRONMENTAL:

2.1 Operation Temperature: -25°C ~ +85°C

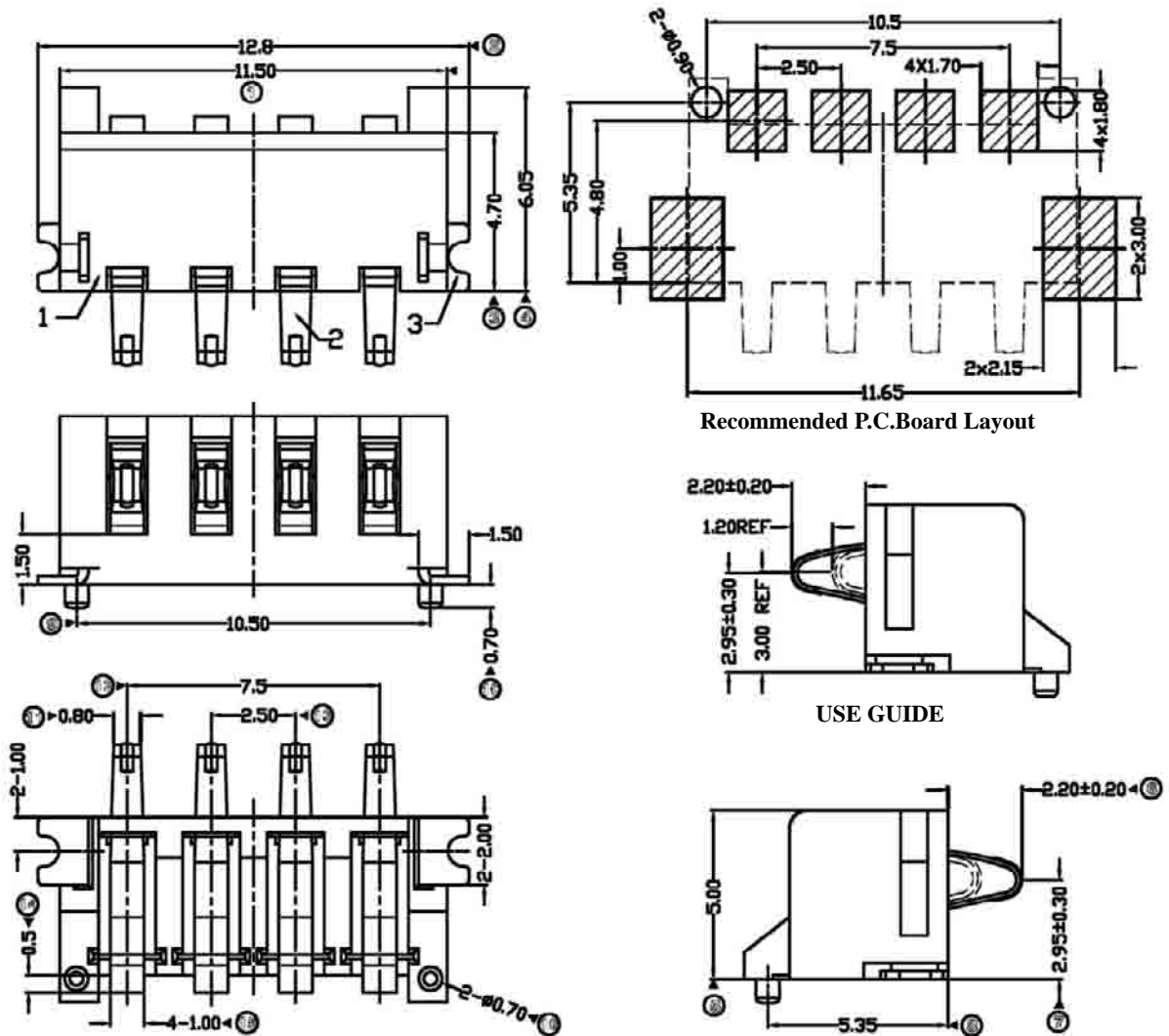
MATERIAL:

1.1 Housing: High Temp. Thermoplastic+Glass Fibre,
UL94V-0, Color: Black

1.2 Terminal: Copper Alloy

Finish: Gold Plated On Contact Area,
Gold Flash All Over 50µ Nickel plated

* RoHS & REACH compliant.



ORDERING INFORMATION:

P/N B Y C 2 50 - 00 4 G xx A

1. CONTACT SPACING:
"250" 2.50MM
2. NO. OF CONTACTS:
004
3. CONTACT FINISH:
"xx" UPON REQUEST
4. CONNECTOR CODE:
A

2.50MM PITCH 4 PIN BATTERY CONNECTOR H=3.4MM

SPECIFICATION:

ELECTRICAL SPECIFICATION:

1.1 Rated Current: 2A

1.2 Rated Voltage: 250V

ENVIRONMENTAL:

2.1 Operation Temperature: -55°C ~ +125°C

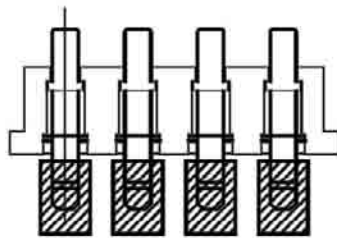
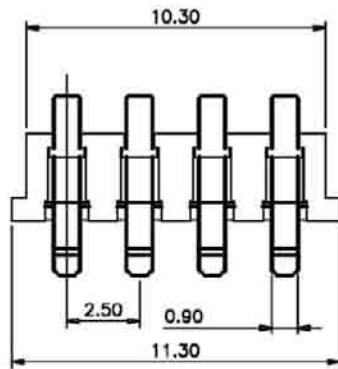
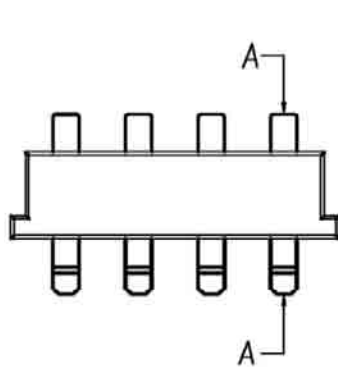
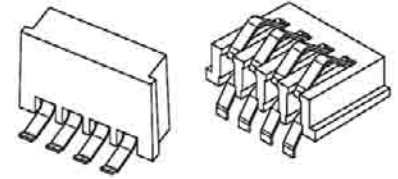
MATERIAL:

1.1 Housing: High Temp. Thermoplastic+Glass Fibre,
UL94V-0, Color: Black

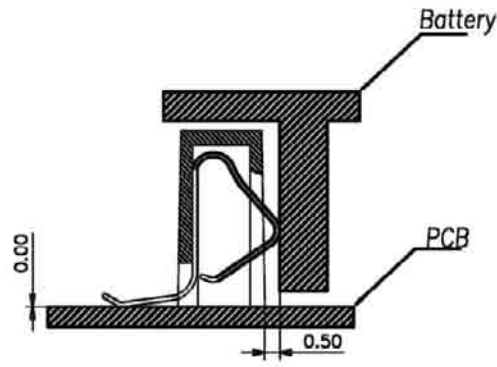
1.2 Terminal: Copper Alloy

Finish: Gold Plated On Contact Area,
Gold Flash All Over 50µ Nickel plated

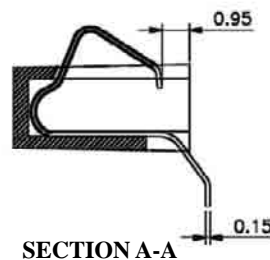
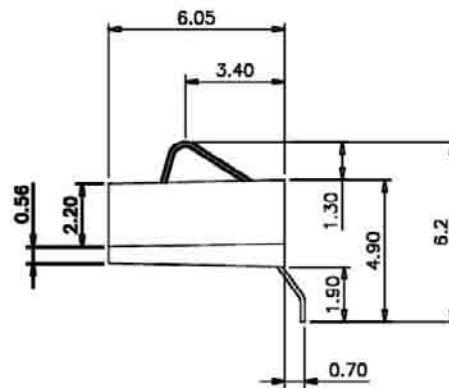
* RoHS & REACH compliant.



Recommended P.C.Board Layout



Battery touch dimension view



SECTION A-A

ORDERING INFORMATION:

P/N B Y C 2 50 - 004 G xx B
1 2 3 4

1. CONTACT SPACING:

"250" 2.50MM

2. NO. OF CONTACTS:

004

3. CONTACT FINISH:

"xx" UPON REQUEST

4. CONNECTOR CODE:

B

2.50MM PITCH 4 PIN BATTERY CONNECTOR 2A/50V H=4.9MM

SPECIFICATION:

ELECTRICAL SPECIFICATION:

1.1 Rated Current: 2A

1.2 Rated Voltage: 50V

ENVIRONMENTAL:

2.1 Operation Temperature: -25°C ~ +85°C

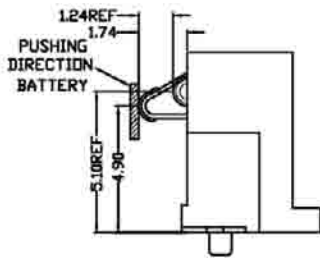
MATERIAL:

1.1 Housing: High Temp. Thermoplastic+Glass Fibre,
UL94V-0, Color: Black

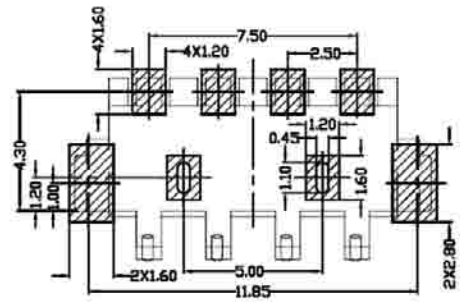
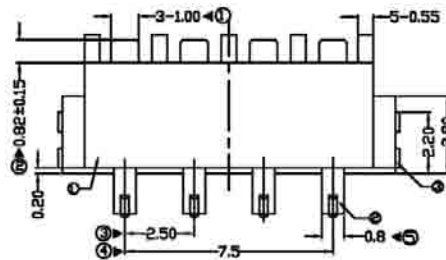
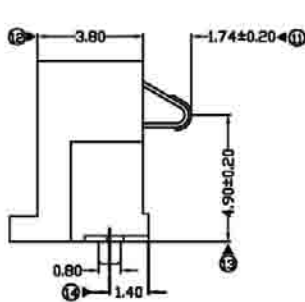
1.2 Terminal: Copper Alloy

Finish: Gold Plated On Contact Area,
Gold Flash All Over 50u" Nickel plated

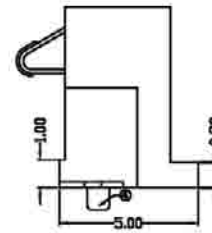
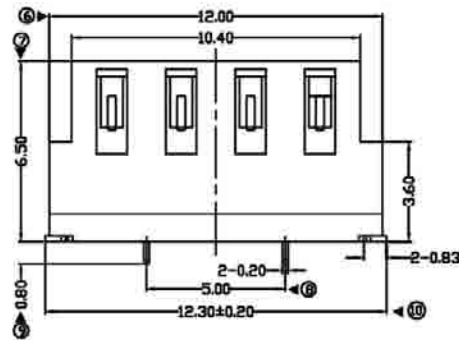
* RoHS & REACH compliant.



USE GUIDE



Recommended P.C.Board Layout



ORDERING INFORMATION:

P/N B Y C 250 - 004 G xx C
1 2 3 4

1. CONTACT SPACING:

"250" 2.50MM

2. NO. OF CONTACTS:

004

3. CONTACT FINISH:

"xx" UPON REQUEST

4. CONNECTOR CODE:

C

2.50MM PITCH 4 PIN BATTERY CONNECTOR 1.5A/200V H=5.8MM

SPECIFICATION:

ELECTRICAL SPECIFICATION:

1.1 Rated Current: 1.5A

1.2 Rated Voltage: 200V

ENVIRONMENTAL:

2.1 Operation Temperature: -40°C ~ +85°C

MATERIAL:

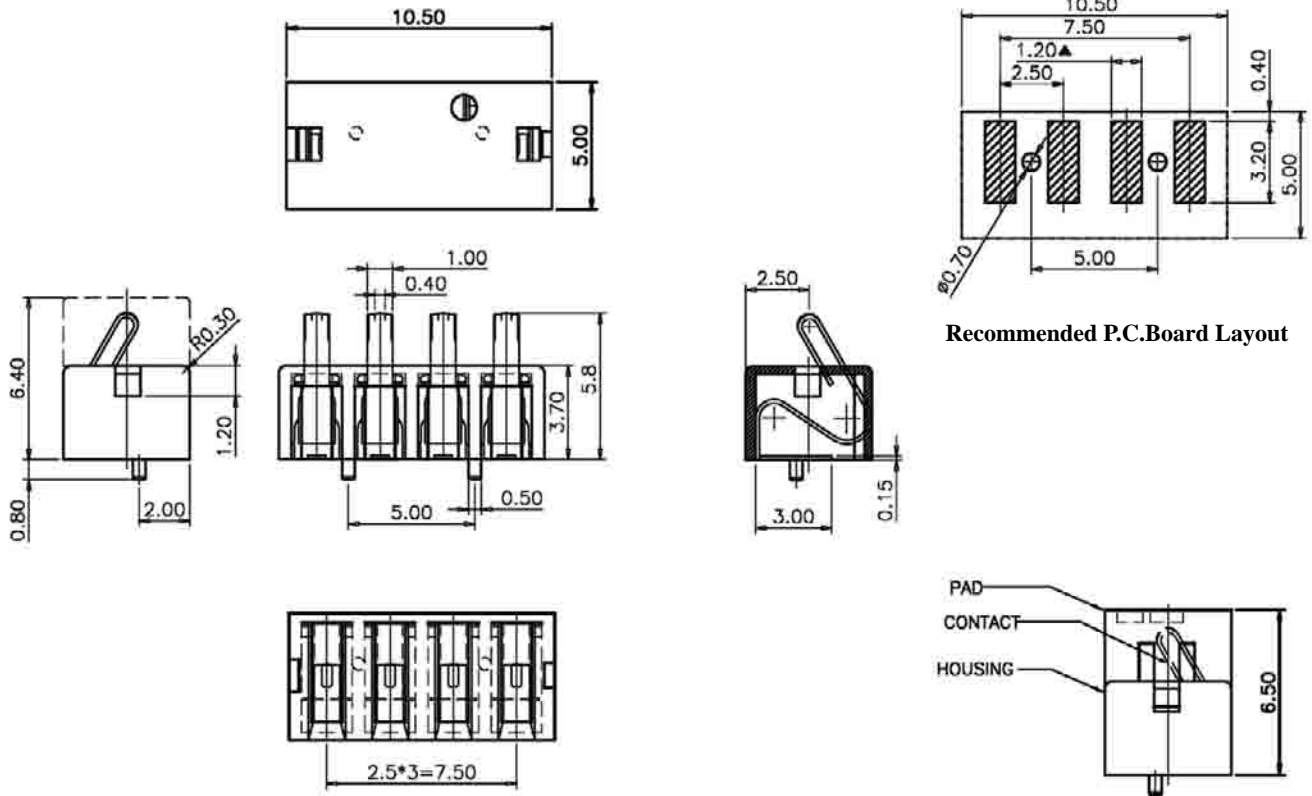
1.1 Housing: High Temp. Thermoplastic+Glass Fibre,
UL94V-0, Color: Black

1.2 Terminal: Copper Alloy

Finish: Gold Plated On Contact Area,
Gold Flash All Over 50µ Nickel plated

1.3 Cover: High Temp. Thermoplastic+Glass Fibre,
UL94V-0, Color: Black

* RoHS & REACH compliant.



Recommended P.C.Board Layout

ORDERING INFORMATION:

P/N B Y C 250 - 004 G xx D

1 2 3 4

1. CONTACT SPACING:
"250" 2.50MM
2. NO. OF CONTACTS:
004
3. CONTACT FINISH:
"xx" UPON REQUEST
4. CONNECTOR CODE:
D

2.50 MM PITCH 4 PIN BATTERY CONNECTOR H= 4.37MM

SPECIFICATIONS

Voltage Current Rating: 6A, 30VAC

Dielectric Withstanding: 500VAC For 1 Minute

Contact Resistance: 30mΩ Max

Insulation R.: 1000MΩ Min

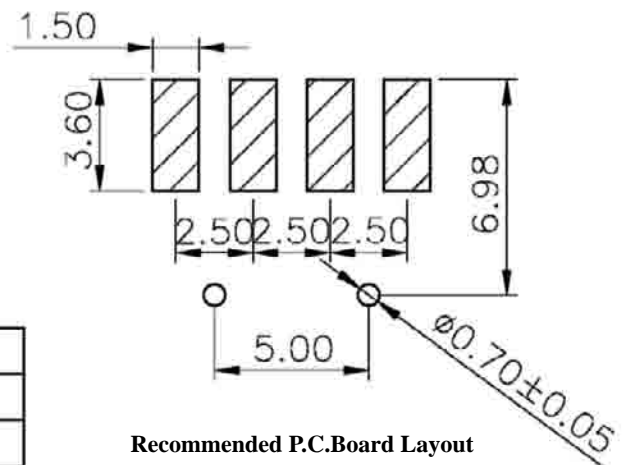
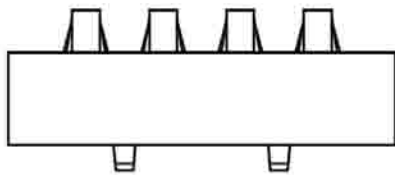
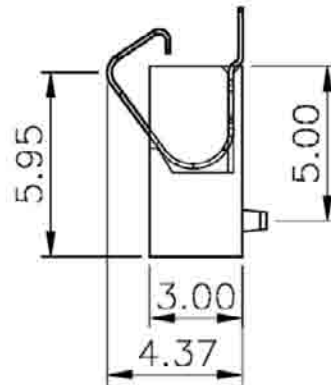
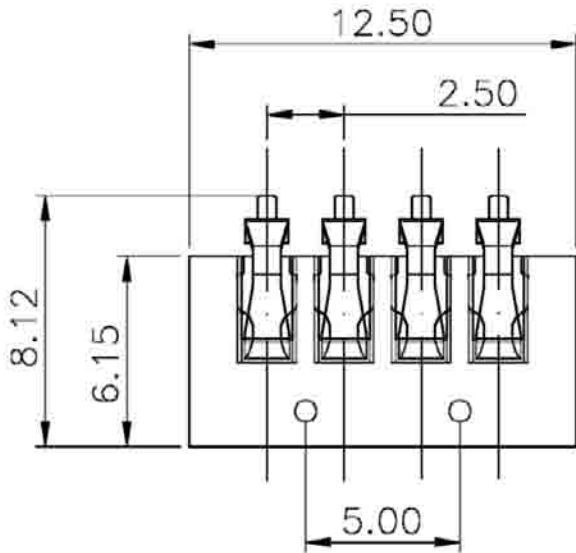
Operating Temperature: -55°C ~ +105°C

MATERIAL:

Housing: Hi-Temp. Thermoplastic

Contact: Copper Alloy

* RoHS & REACH compliant.



NO.	PART NAME	MATERIAL	STATUS
1	HOUSING	LCP	BK
2	CONTACT	Brass T=0.25	GF

Recommended P.C.Board Layout

ORDERING INFORMATION:

P/N B Y C 250 - 004 G 01 E
 1 2 3 4

1.CONTACT SPACING:

"250" 2.50MM

2.NO. OF CONTACTS:

004

3.CONTACT FINISH:

"01" GOLD FLASH

4.CONNECTOR CODE:

E

2.54MM PITCH 3 PIN BATTERY CONNECTOR 0.5A/50V H=-0.05MM

SPECIFICATION:

ELECTRICAL SPECIFICATION:

1.1 Rated Current: 0.5A

1.2 Rated Voltage: 50V

ENVIRONMENTAL:

2.1 Operation Temperature: -25°C ~ +85°C

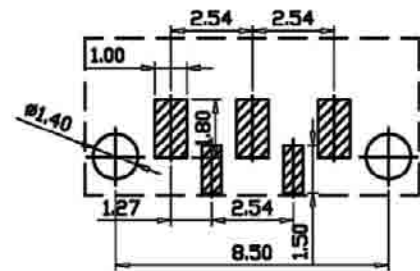
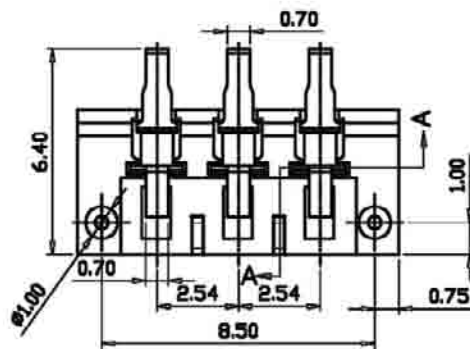
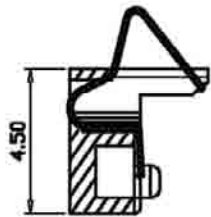
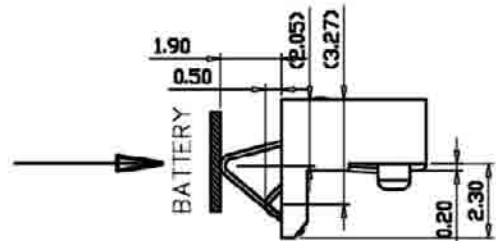
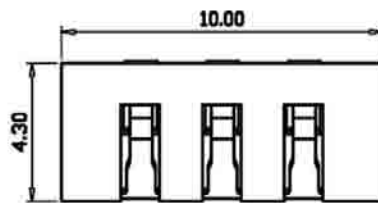
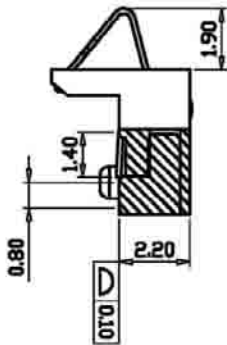
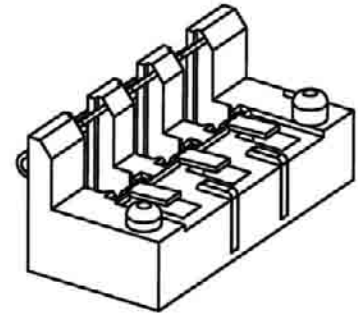
MATERIAL:

1.1 Housing: High Temp. Thermoplastic+Glass Fibre,
UL94V-0, Color: Black

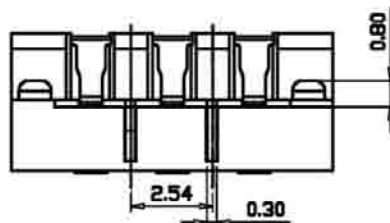
1.2 Terminal: Copper Alloy

Finish: Gold Plated On Contact Area,
Gold Flash All Over 50u" Nickel plated

* RoHS & REACH compliant.



Recommended P.C.Board Layout



ORDERING INFORMATION:

P/N B Y C 2 54 - 0 03 G X X A
1 2 3 4

1. CONTACT SPACING:

"254" 2.54MM

2. NO. OF CONTACTS:

003

3. CONTACT FINISH:

"01" GOLD FLASH

"03" 3 MICROINCH GOLD

"06" 6 MICROINCH GOLD

4. CONNECTOR CODE:

A

2.54MM PITCH 3 PIN BATTERY CONNECTOR 0.5A/50V H=2.65MM

SPECIFICATION:

ELECTRICAL SPECIFICATION:

1.1 Rated Current: 0.5A

1.2 Rated Voltage: 50V

ENVIRONMENTAL:

2.1 Operation Temperature: -25°C ~ +85°C

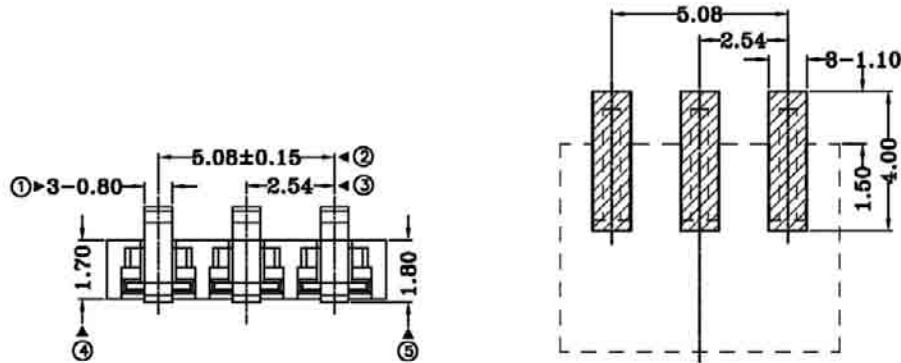
MATERIAL:

1.1 Housing: High Temp. Thermoplastic+Glass Fibre,
UL94V-0, Color: Black

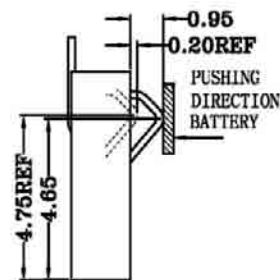
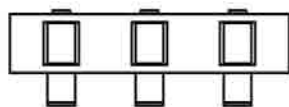
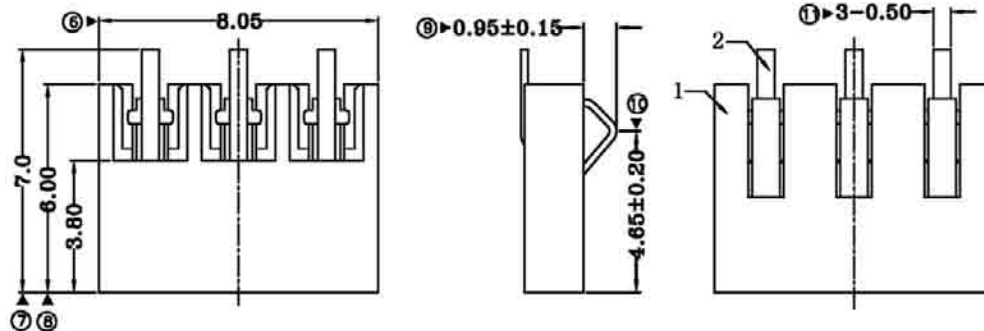
1.2 Terminal: Copper Alloy

Finish: Gold Plated On Contact Area,
Gold Flash All Over 50u" Nickel plated

* RoHS & REACH compliant.



Recommended P.C.Board Layout



USE GUIDE

ORDERING INFORMATION:

P/N B Y C 2 5 4 - 0 0 3 G 0 5 B
1 2 3 4

1. CONTACT SPACING:

"254" 2.54MM

2. NO. OF CONTACTS:

003

3. CONTACT FINISH:

"05" 5 MICROINCH GOLD

4. CONNECTOR CODE:

B

2.54MM PITCH 3 PIN BATTERY CONNECTOR 0.5A/50V H=2.8MM

SPECIFICATION:

ELECTRICAL SPECIFICATION:

1.1 Rated Current: 0.5A

1.2 Rated Voltage: 50V

ENVIRONMENTAL:

2.1 Operation Temperature: -25°C ~ +85°C

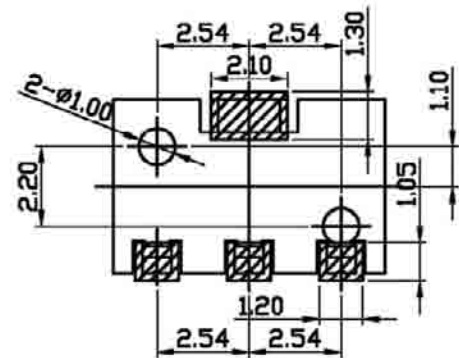
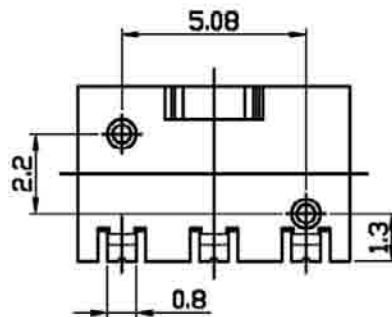
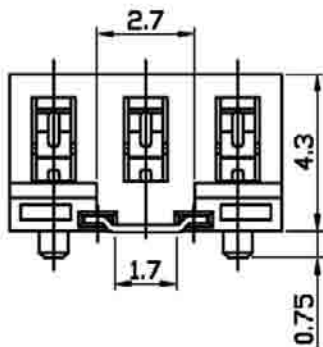
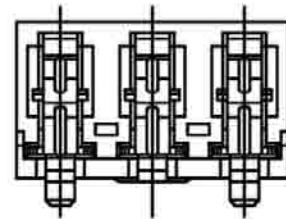
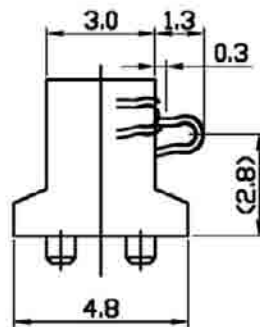
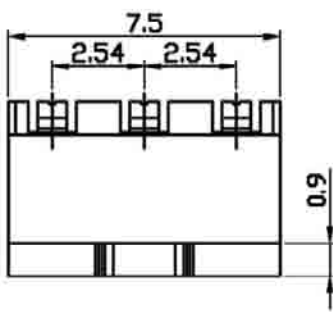
MATERIAL:

1.1 Housing: High Temp. Thermoplastic+Glass Fibre,
UL94V-0, Color: Black

1.2 Terminal: Copper Alloy

Finish: Gold Plated On Contact Area,
Gold Flash All Over 50µ Nickel plated

* RoHS & REACH compliant.



Recommended P.C.Board Layout

ORDERING INFORMATION:

P/N B Y C 2 54 - 0 03 G X X C

1 2 3 4

1. CONTACT SPACING:

"254" 2.54MM

2. NO. OF CONTACTS:

003

3. CONTACT FINISH:

"01" GOLD FLASH

"03" 3 MICROINCH GOLD

"06" 6 MICROINCH GOLD

4. CONNECTOR CODE:

C

2.54MM PITCH 3 PIN BATTERY CONNECTOR H=4.3MM

SPECIFICATION:

ELECTRICAL SPECIFICATION:

1.1 Rated Current: 2A

1.2 Rated Voltage: 250V

ENVIRONMENTAL:

2.1 Operation Temperature: -55°C ~ +125°C

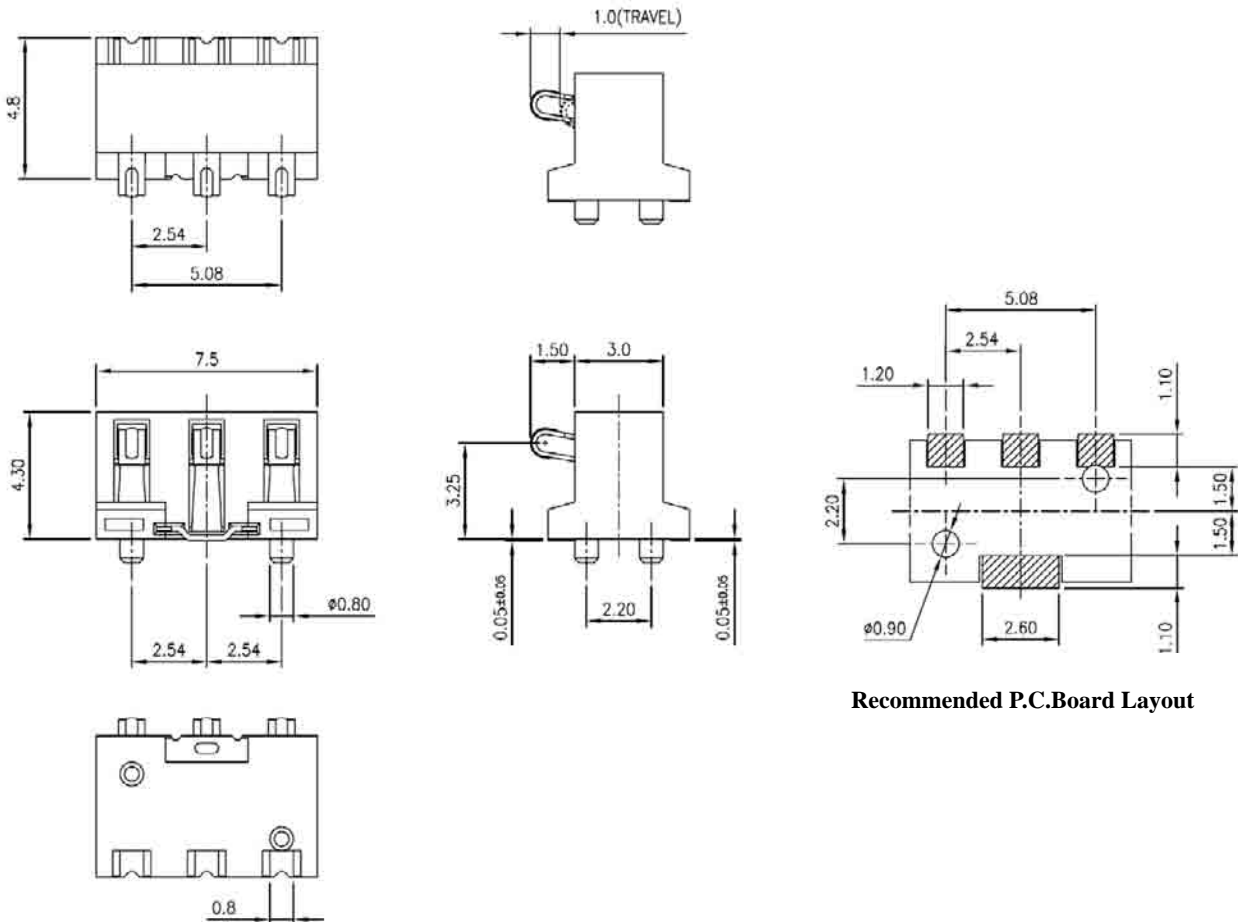
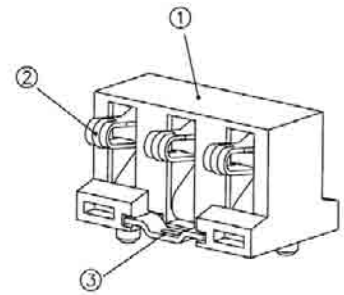
MATERIAL:

1.1 Housing: High Temp. Thermoplastic+Glass Fibre,
UL94V-0, Color: Black

1.2 Terminal: Copper Alloy

Finish: Gold Plated On Contact Area,
Gold Flash All Over 50µ" Nickel plated

* RoHS & REACH compliant.



Recommended P.C.Board Layout

ORDERING INFORMATION:

P/N B Y C 2 54 - 0 03 G x x D

1. CONTACT SPACING:
"254" 2.54MM

2. NO. OF CONTACTS:
003

3. CONTACT FINISH:
"xx" UPON REQUEST

4. CONNECTOR CODE:
D

2.54MM PITCH 3 PIN BATTERY CONNECTOR 3A/350VAC H=4.75MM

SPECIFICATION:

ELECTRICAL SPECIFICATION:

1.1 Rated Current: 3A

1.2 Rated Voltage: 350VAC

ENVIRONMENTAL:

2.1 Operation Temperature: -40°C ~ +85°C

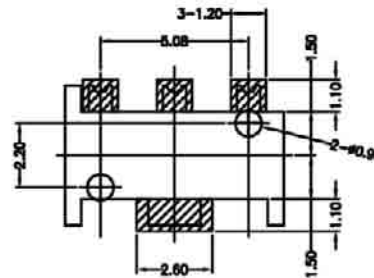
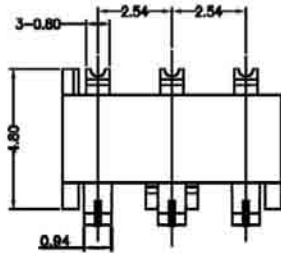
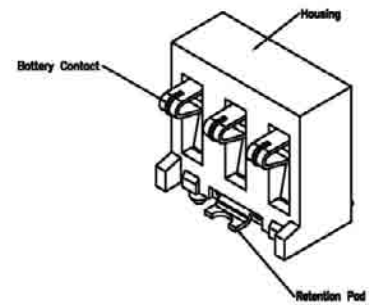
MATERIAL:

1.1 Housing: High Temp. Thermoplastic+Glass Fibre,
UL94V-0, Color: Black

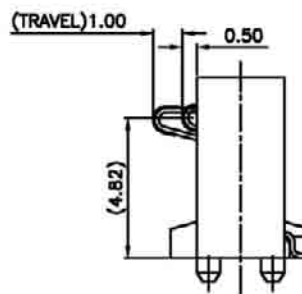
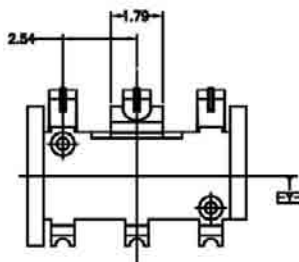
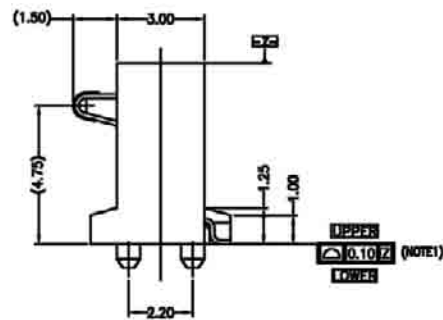
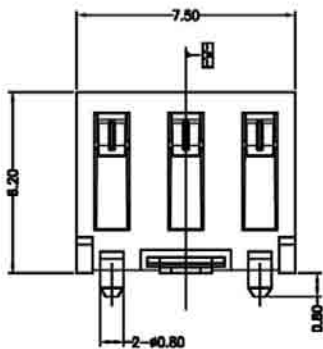
1.2 Terminal: Copper Alloy

Finish: Gold Plated On Contact Area,
Gold Flash All Over 50µ Nickel plated

* RoHS & REACH compliant.



Recommended P.C.Board Layout
(TOP VIEW)



ORDERING INFORMATION:

P/N B Y C 2 5 4 - 0 0 3 G x x E
1 2 3 4

1. CONTACT SPACING:
"254" 2.54MM
2. NO. OF CONTACTS:
003
3. CONTACT FINISH:
"xx" UPON REQUEST
4. CONNECTOR CODE:
E

2.54MM PITCH 3 PIN BATTERY CONNECTOR H=4.75MM

SPECIFICATION:

ELECTRICAL SPECIFICATION:

1.1 Rated Current: 3A

1.2 Rated Voltage: 350V

ENVIRONMENTAL:

2.1 Operation Temperature: -25°C ~ +85°C

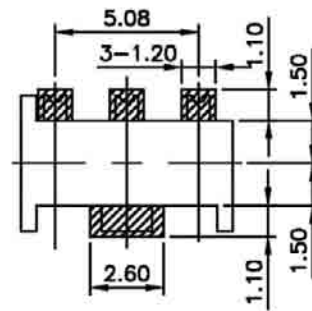
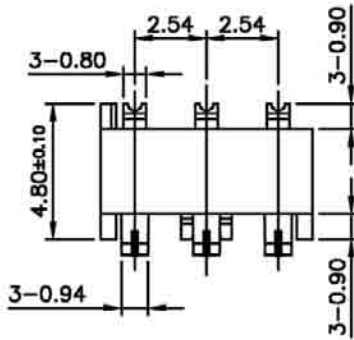
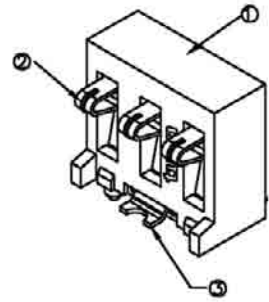
MATERIAL:

1.1 Housing: High Temp. Thermoplastic+Glass Fibre,
UL94V-0, Color: Black

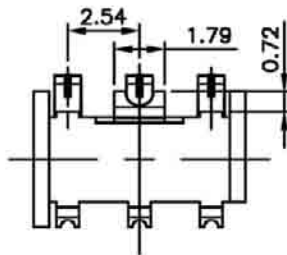
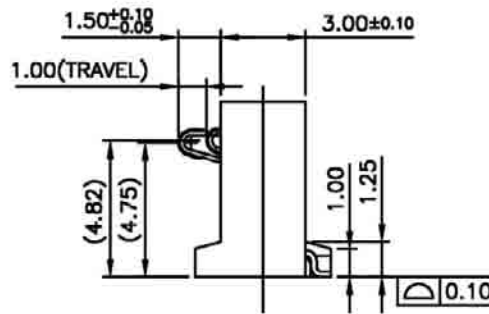
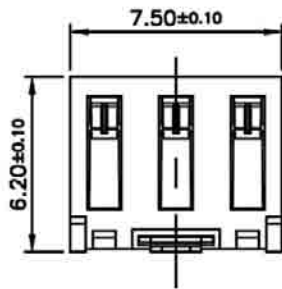
1.2 Terminal: Copper Alloy

Finish: Gold Plated On Contact Area,
Gold Flash All Over 50µ Nickel plated

* RoHS & REACH compliant.



Recommended P.C.Board Layout
(TOP VIEW)



ORDERING INFORMATION:

P/N B Y C 2 54 - 003 G xx F

1 2 3 4

1. CONTACT SPACING:

"254" 2.54MM

2. NO. OF CONTACTS:

003

3. CONTACT FINISH:

"xx" UPON REQUEST

4. CONNECTOR CODE:

F

2.80MM PITCH 3 PIN BATTERY CONNECTOR 0.5A/50VDC H=-0.55MM

SPECIFICATION:

ELECTRICAL SPECIFICATION:

1.1 Rated Current: 0.5A

1.2 Rated Voltage: 50VDC

ENVIRONMENTAL:

2.1 Operation Temperature: -25°C ~ +85°C

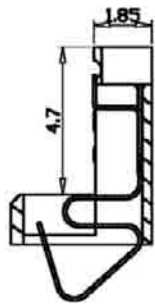
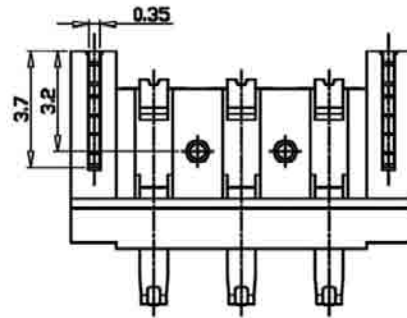
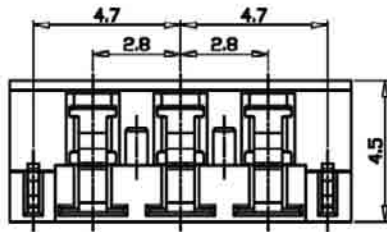
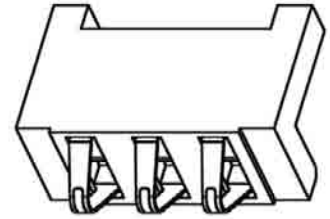
MATERIAL:

1.1 Housing: High Temp. Thermoplastic+Glass Fibre,
UL94V-0, Color: Black

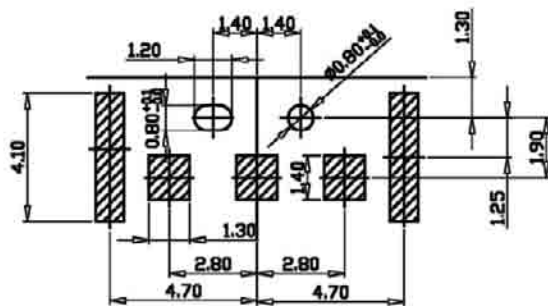
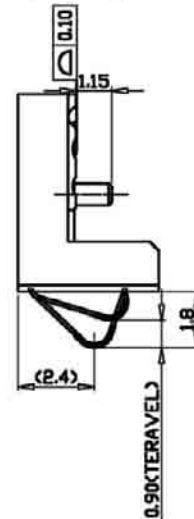
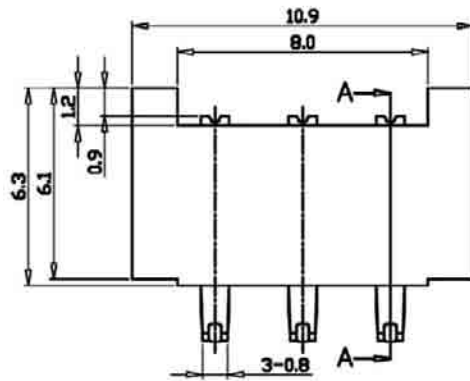
1.2 Terminal: Copper Alloy

Finish: Gold Plated On Contact Area,
Gold Flash All Over 50u" Nickel plated

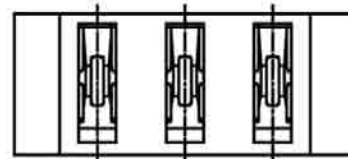
* RoHS & REACH compliant.



SECTION A-A



Recommended P.C.Board Layout



ORDERING INFORMATION:

P/N B Y C 2 80 - 003 G X X A
1 2 3 4

1. CONTACT SPACING:

"280" 2.80MM

2. NO. OF CONTACTS:

003

3. CONTACT FINISH:

"01" GOLD FLASH

"03" 3 MICROINCH GOLD

"06" 6 MICROINCH GOLD

4. CONNECTOR CODE:

A

2.80MM PITCH 3 PIN BATTERY CONNECTOR REVERSE MOUNT TYPE

SPECIFICATION:

ELECTRICAL SPECIFICATION:

1.1 Rated Current: 2A

1.2 Rated Voltage: 250V

ENVIRONMENTAL:

2.1 Operation Temperature: -55°C ~ +125°C

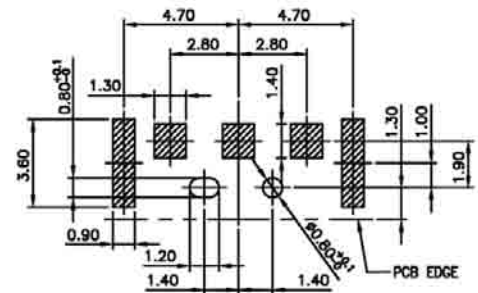
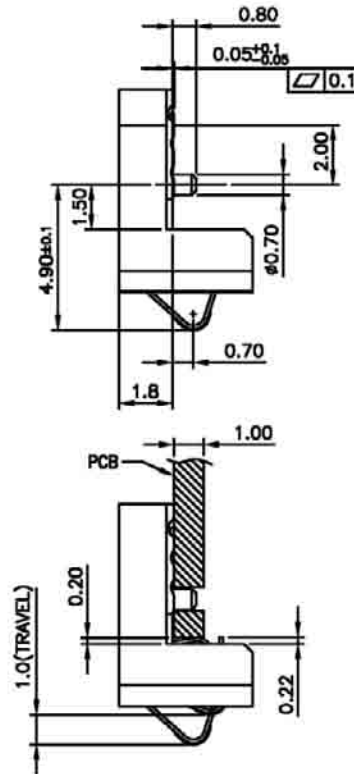
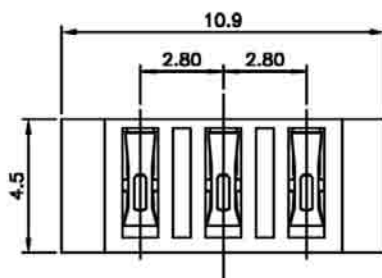
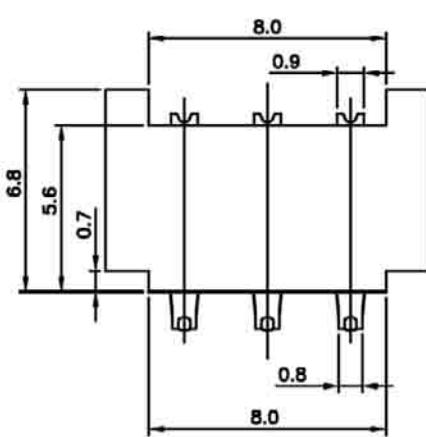
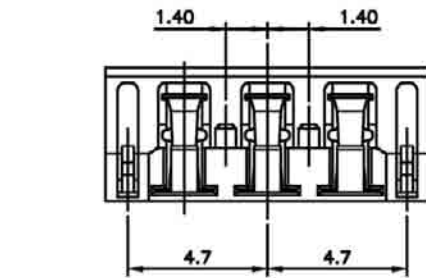
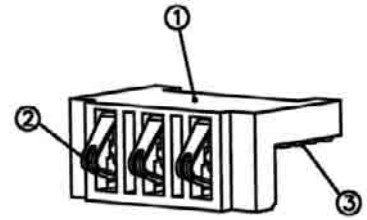
MATERIAL:

1.1 Housing: High Temp. Thermoplastic+Glass Fibre,
UL94V-0, Color: Black

1.2 Terminal: Copper Alloy

Finish: Gold Plated On Contact Area,
Gold Flash All Over 50µ" Nickel plated

* RoHS & REACH compliant.



Recommended P.C.Board Layout

ORDERING INFORMATION:

P/N B Y C 2 8 0 - 0 0 3 G X X B

1. CONTACT SPACING:

"280" 2.80MM

2. NO. OF CONTACTS:

003

3. CONTACT FINISH:

"xx" UPON REQUEST

4. CONNECTOR CODE:

B

2.80MM PITCH 3 PIN BATTERY CONNECTOR 2A/12VDC H=2.98MM

SPECIFICATION:

ELECTRICAL SPECIFICATION:

1.1 Rated Current: 2A

1.2 Rated Voltage: 12VDC

ENVIRONMENTAL:

2.1 Operation Temperature: -25°C ~ +85°C

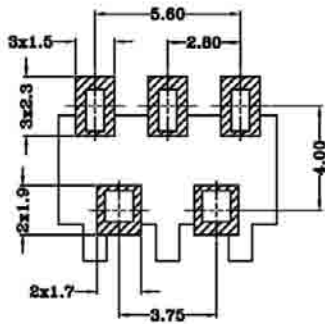
MATERIAL:

1.1 Housing: High Temp. Thermoplastic+Glass Fibre,
UL94V-0, Color: Black

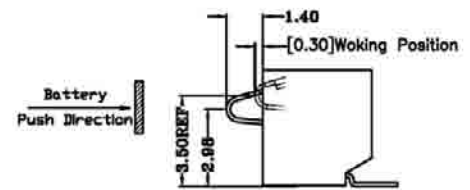
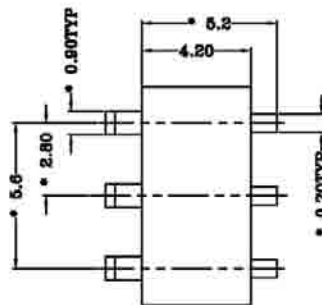
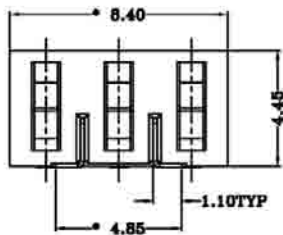
1.2 Terminal: Copper Alloy

Finish: Gold Plated On Contact Area,
Gold Flash All Over 50u" Nickel plated

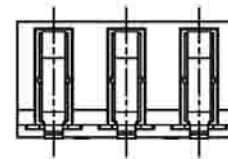
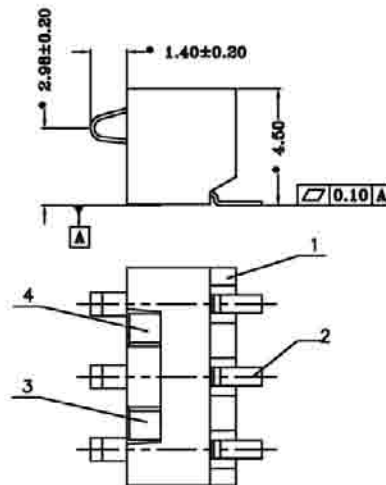
* RoHS & REACH compliant.



Recommended P.C.Board Layout



USE GUIDE



ORDERING INFORMATION:

P/N B Y C 2 80 - 003 G 05 C
1 2 3 4

1. CONTACT SPACING:
"280" 2.80MM
2. NO. OF CONTACTS:
003
3. CONTACT FINISH:
"05" 5 MICROINCH GOLD
4. CONNECTOR CODE:
C

3.00MM PITCH 2 PIN BATTERY CONNECTOR H=4.7MM

SPECIFICATION:

ELECTRICAL SPECIFICATION:

1.1 Rated Current: 1A

1.2 Rated Voltage: 250V

ENVIRONMENTAL:

2.1 Operation Temperature: -40°C ~ +85°C

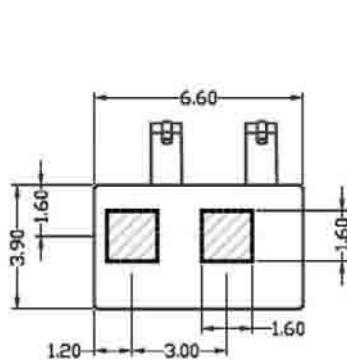
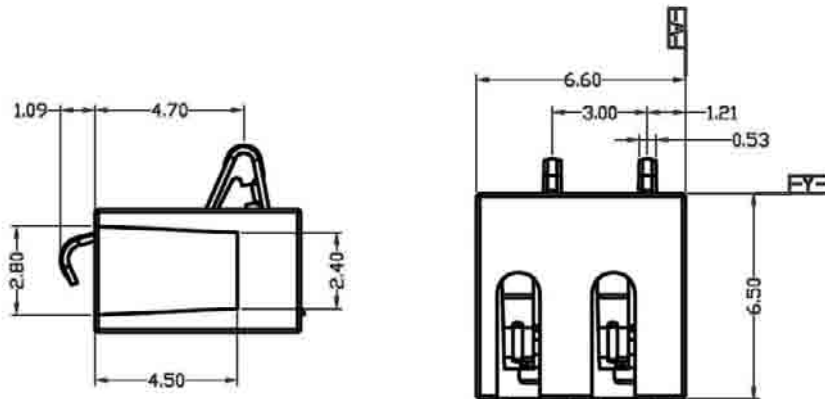
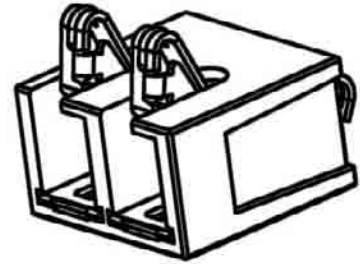
MATERIAL:

1.1 Housing: High Temp. Thermoplastic+Glass Fibre,
UL94V-0, Color: Black

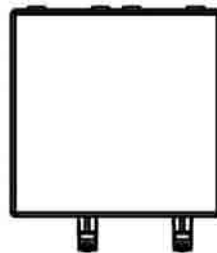
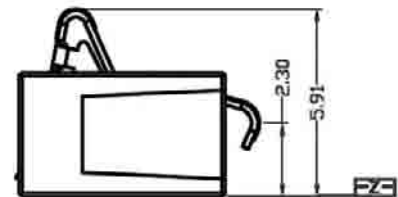
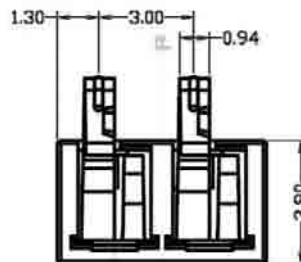
1.2 Terminal: Copper Alloy

Finish: Gold Plated On Contact Area,
Gold Flash All Over 50µ Nickel plated

* RoHS & REACH compliant.



Recommended P.C.Board Layout



ORDERING INFORMATION:

P/N B Y C 3 0 0 - 0 0 2 G x x A
1 2 3 4

1. CONTACT SPACING:

"300" 3.00MM

2. NO. OF CONTACTS:

002

3. CONTACT FINISH:

"xx" UPON REQUEST

4. CONNECTOR CODE:

A

3.00MM PITCH 3 PIN BATTERY CONNECTOR H=0.1MM

SPECIFICATION:

ELECTRICAL SPECIFICATION:

1.1 Rated Current: 2A

1.2 Rated Voltage: 250V

ENVIRONMENTAL:

2.1 Operation Temperature: -55°C ~ +125°C

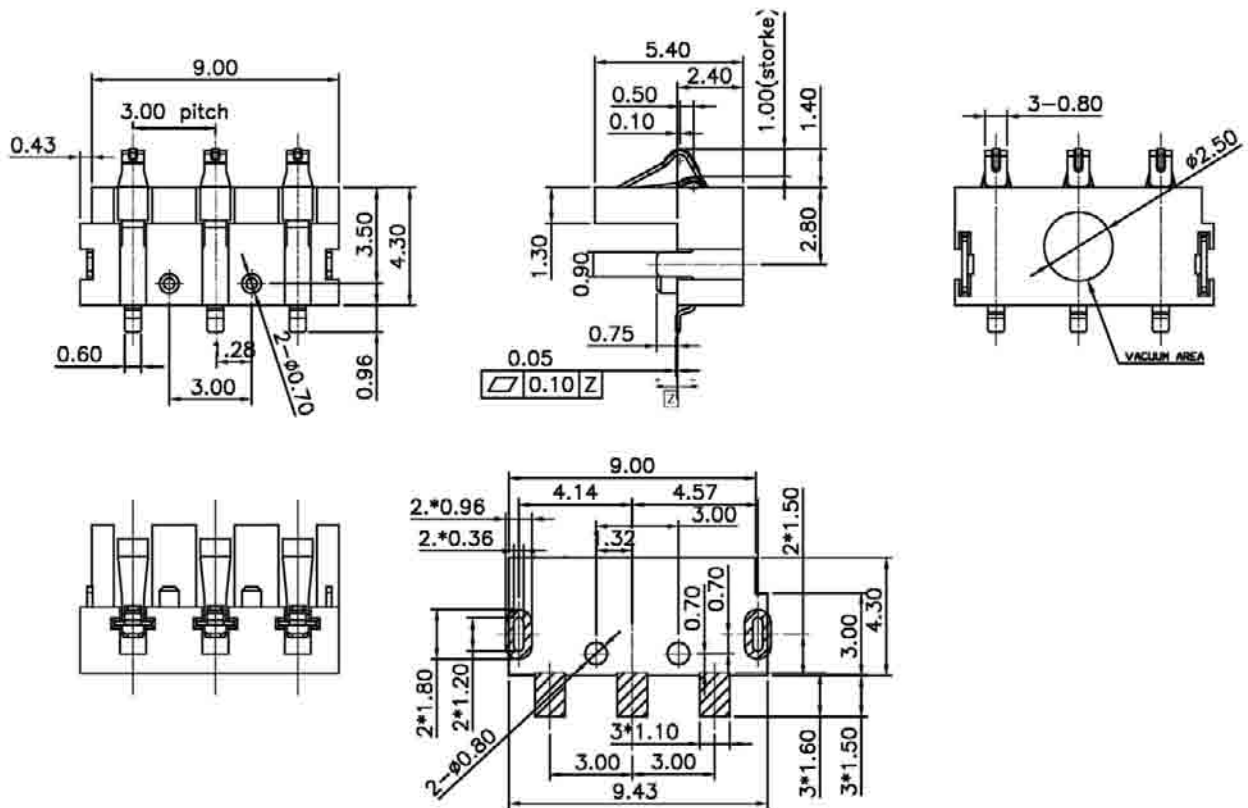
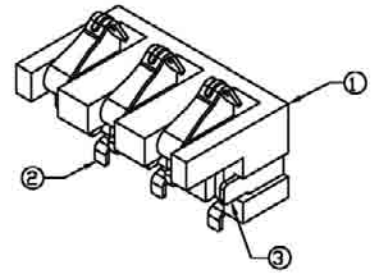
MATERIAL:

1.1 Housing: High Temp. Thermoplastic+Glass Fibre,
UL94V-0, Color: Black

1.2 Terminal: Copper Alloy

Finish: Gold Plated On Contact Area,
Gold Flash All Over 50µ Nickel plated

* RoHS & REACH compliant.



Recommended P.C.Board Layout

ORDERING INFORMATION:

P/N B Y C 3 0 0 - 0 0 3 G X X A
1 2 3 4

1. CONTACT SPACING:

"300" 3.00MM

2. NO. OF CONTACTS:

003

3. CONTACT FINISH:

"xx" UPON REQUEST

4. CONNECTOR CODE:

A

3.00MM PITCH 3 PIN BATTERY CONNECTOR 1.5A/125V H=3.75MM

SPECIFICATION:

ELECTRICAL SPECIFICATION:

1.1 Rated Current: 1.5A

1.2 Rated Voltage: 125V

ENVIRONMENTAL:

2.1 Operation Temperature: -25°C ~ +85°C

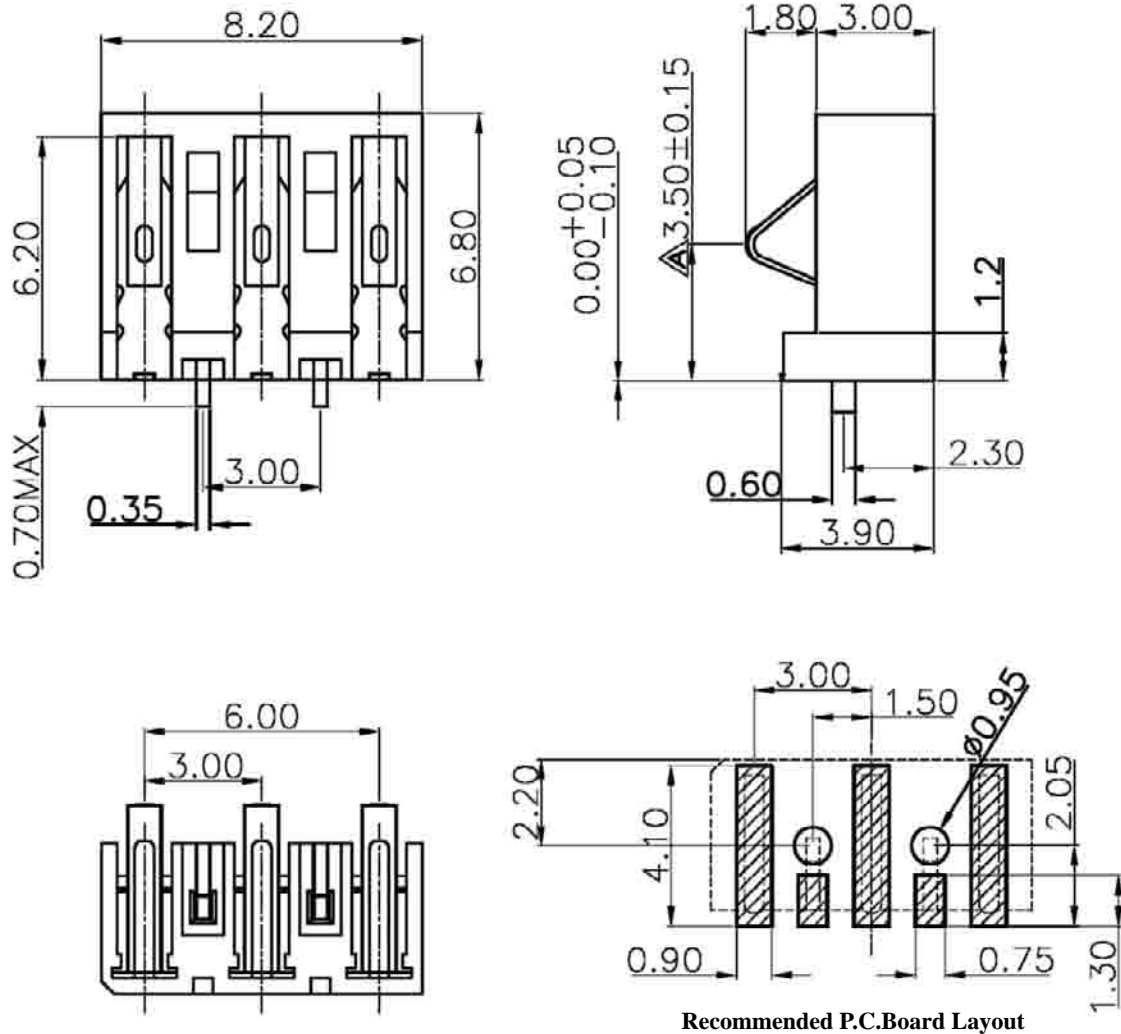
MATERIAL:

1.1 Housing: High Temp. Thermoplastic+Glass Fibre,
UL94V-0, Color: Black

1.2 Terminal: Copper Alloy

Finish: Gold Plated On Contact Area,
Gold Flash All Over 50µ Nickel plated

* RoHS & REACH compliant.



ORDERING INFORMATION:

P/N B Y C 3 0 0 - 0 0 3 G 3 0 B
1 2 3 4

1. CONTACT SPACING:
"300" 3.00MM
2. NO. OF CONTACTS:
003
3. CONTACT FINISH:
"30" 30 MICROINCH GOLD
4. CONNECTOR CODE:
B

3.00MM PITCH 3 PIN BATTERY CONNECTOR 1.5A/125V H=8.5MM

SPECIFICATION:

ELECTRICAL SPECIFICATION:

1.1 Rated Current: 1.5A

1.2 Rated Voltage: 125V

ENVIRONMENTAL:

2.1 Operation Temperature: -40°C ~ +85°C

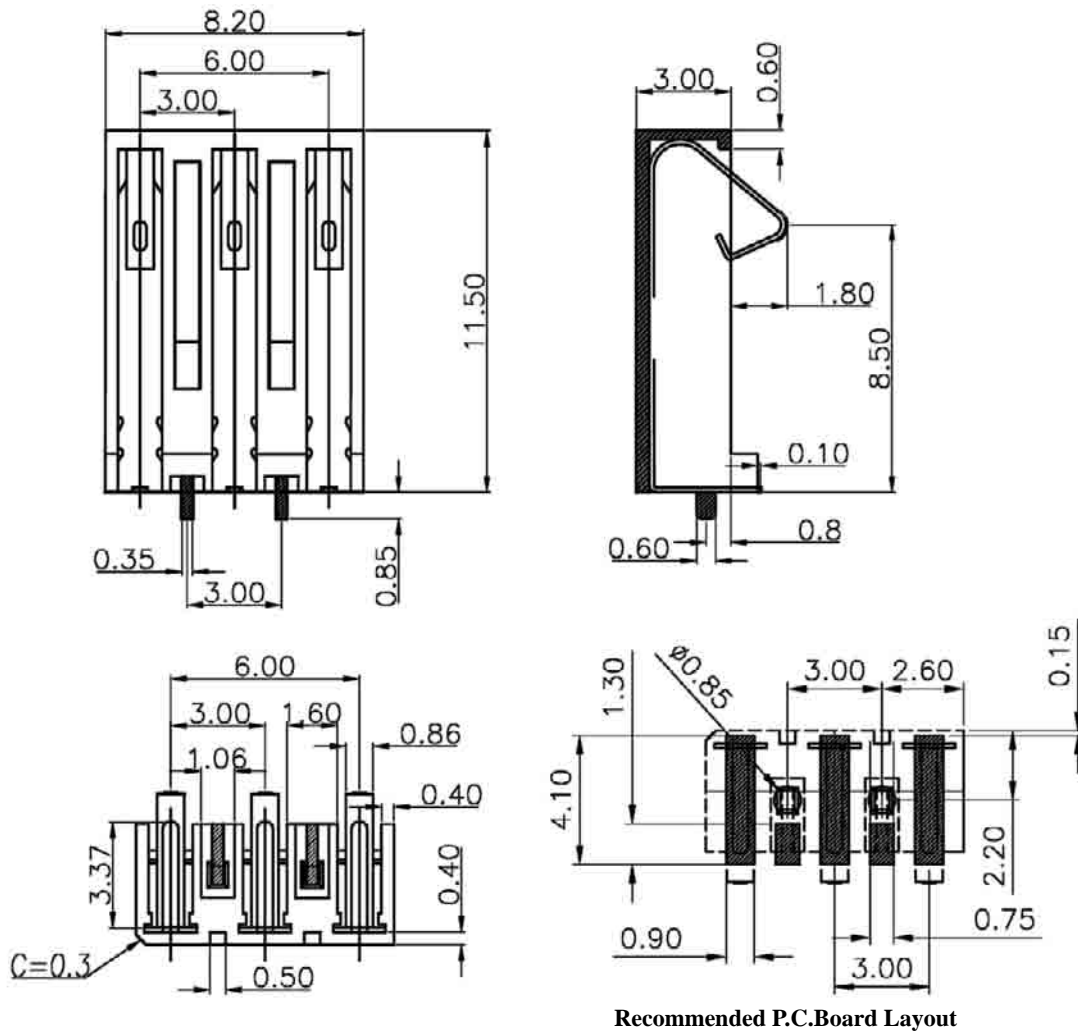
MATERIAL:

1.1 Housing: High Temp. Thermoplastic+Glass Fibre,
UL94V-0, Color: Black

1.2 Terminal: Copper Alloy

Finish: Gold Plated On Contact Area,
Gold Flash All Over 50µ Nickel plated

* RoHS & REACH compliant.



ORDERING INFORMATION:

P/N B Y C 3 0 0 - 0 0 3 G 3 0 C

1. CONTACT SPACING:
"300" 3.00MM
2. NO. OF CONTACTS:
003
3. CONTACT FINISH:
"30" 30 MICROINCH GOLD
4. CONNECTOR CODE:
C

3.00MM PITCH 3 PIN BATTERY CONNECTOR H=5.7MM

SPECIFICATION:

ELECTRICAL SPECIFICATION:

1.1 Rated Current: 2A

1.2 Rated Voltage: 250V

ENVIRONMENTAL:

2.1 Operation Temperature: -55°C ~ +125°C

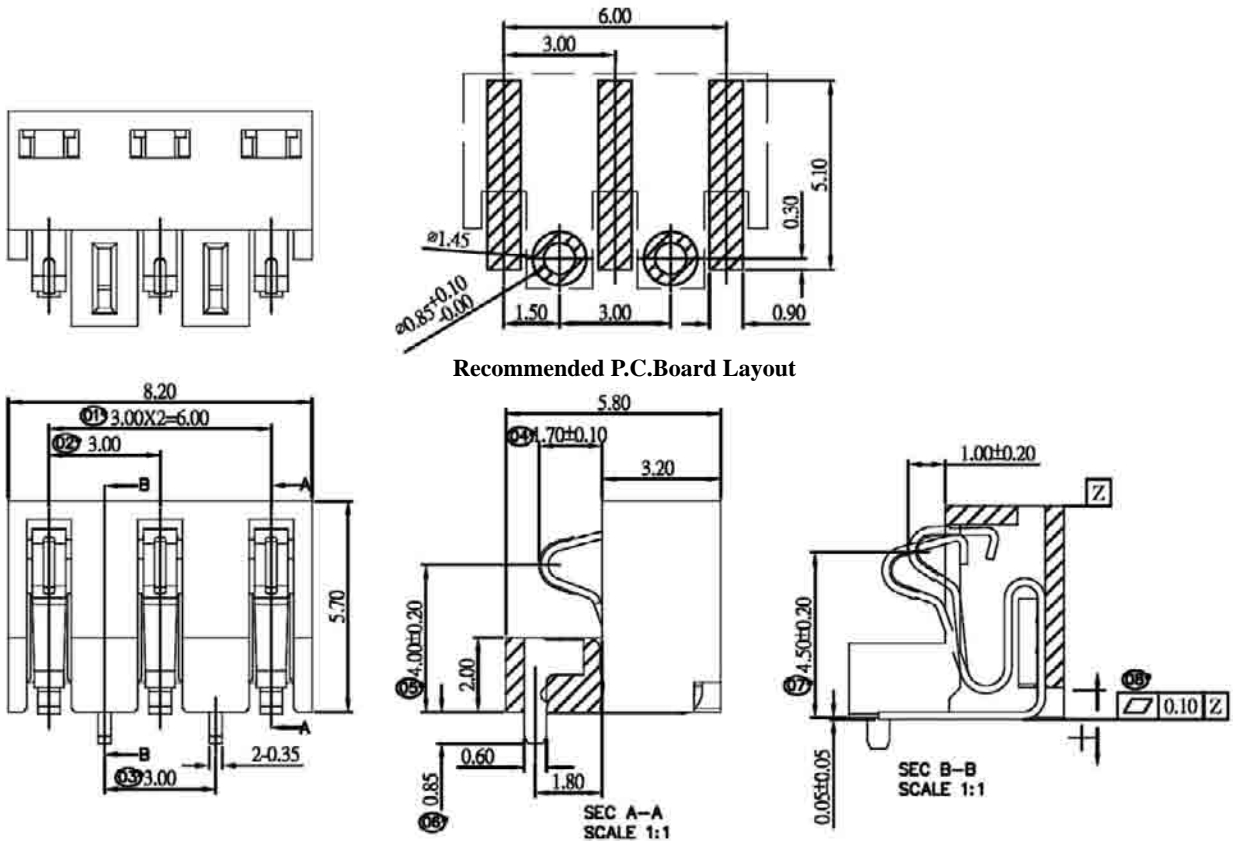
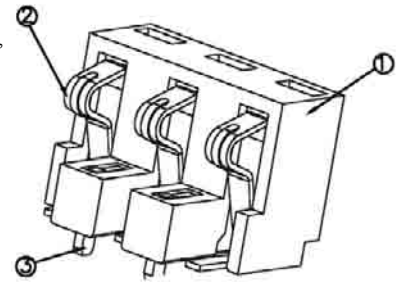
MATERIAL:

1.1 Housing: High Temp. Thermoplastic+Glass Fibre,
UL94V-0, Color: Black

1.2 Terminal: Copper Alloy

Finish: Gold Plated On Contact Area,
Gold Flash All Over 50u" Nickel plated

* RoHS & REACH compliant.



ORDERING INFORMATION:

P/N B Y C 3 0 0 - 0 0 3 G X X D
1 2 3 4

1. CONTACT SPACING:

"300" 3.00MM

2. NO. OF CONTACTS:

003

3. CONTACT FINISH:

"xx" UPON REQUEST

4. CONNECTOR CODE:

D

3.00MM PITCH 3 PIN BATTERY CONNECTOR 2A/250VAC H=4.5MM

SPECIFICATION:

ELECTRICAL SPECIFICATION:

1.1 Rated Current: 2A

1.2 Rated Voltage: 250VAC

ENVIRONMENTAL:

2.1 Operation Temperature: -55°C ~ +125°C

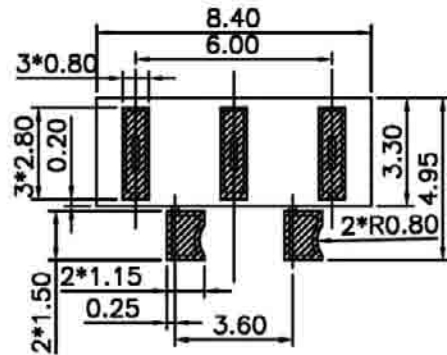
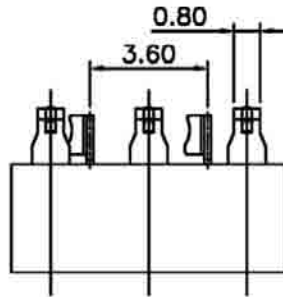
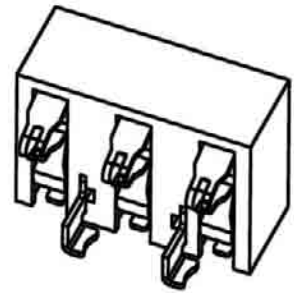
MATERIAL:

1.1 Housing: High Temp. Thermoplastic+Glass Fibre,
UL94V-0, Color: Black

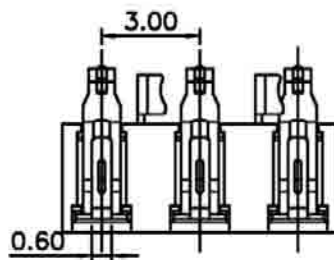
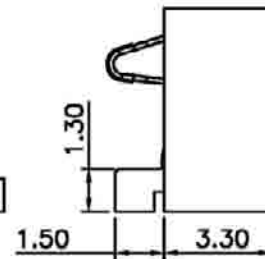
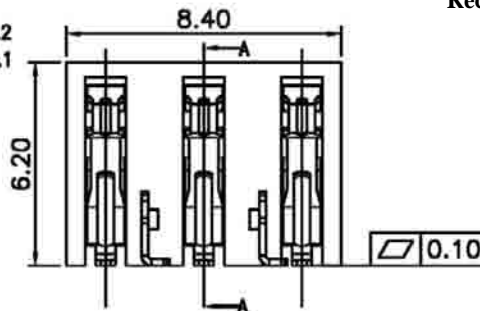
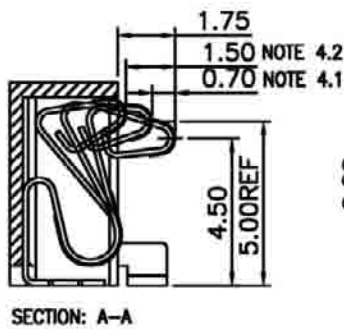
1.2 Terminal: Copper Alloy

Finish: Gold Plated On Contact Area,
Gold Flash All Over 50µ Nickel plated

* RoHS & REACH compliant.



Recommended P.C.Board Layout



ORDERING INFORMATION:

P/N B Y C 300 - 003 G 01 E
1 2 3 4

1. CONTACT SPACING:
"300" 3.00MM
2. NO. OF CONTACTS:
003
3. CONTACT FINISH:
"01" GOLD FLASH
4. CONNECTOR CODE:
E

3.00MM PITCH 3 PIN BATTERY CONNECTOR 3A H=6.2MM

SPECIFICATION:

ELECTRICAL SPECIFICATION:

1.1 Rated Current: 3A

1.2 Rated Voltage: 250V

ENVIRONMENTAL:

2.1 Operation Temperature: -40°C ~ +85°C

MATERIAL:

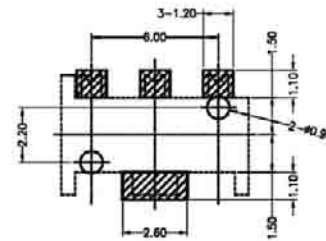
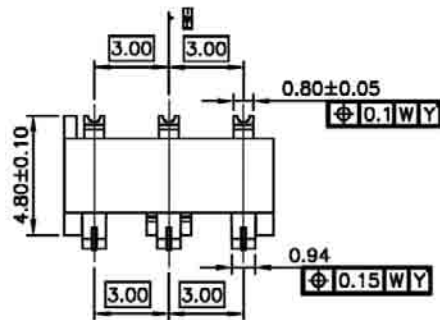
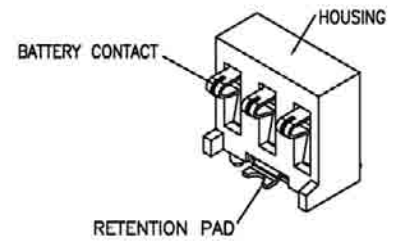
1.1 Housing: High Temp. Thermoplastic+Glass Fibre,
UL94V-0, Color: Black

1.2 Terminal: Copper Alloy

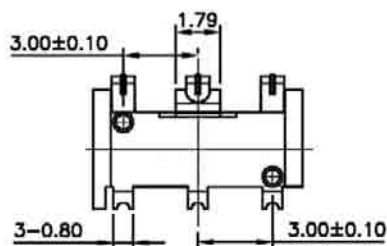
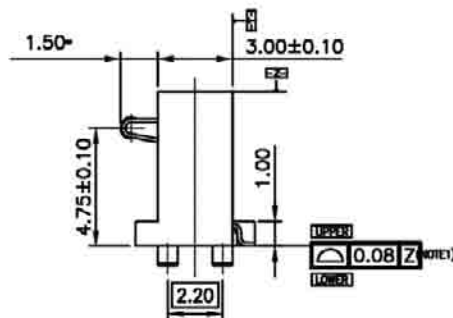
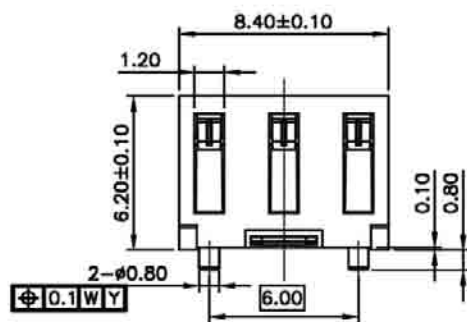
Finish: Gold Plated On Contact Area,
Gold Flash All Over 50µ Nickel plated

1.3 Cover: High Temp. Thermoplastic+Glass Fibre,
UL94V-0, Color: Black

* RoHS & REACH compliant.



Recommended P.C.Board Layout



ORDERING INFORMATION:

P/N B Y C 300 - 003 G xx F
1 2 3 4

1. CONTACT SPACING:

"300" 3.00MM

2. NO. OF CONTACTS:

003

3. CONTACT FINISH:

"xx" UPON REQUEST

4. CONNECTOR CODE:

F

3.00MM PITCH 3 PIN BATTERY CONNECTOR 1.5A/200V H=6.5MM

SPECIFICATION:

ELECTRICAL SPECIFICATION:

1.1 Rated Current: 1.5A

1.2 Rated Voltage: 200V

ENVIRONMENTAL:

2.1 Operation Temperature: -40°C ~ +85°C

MATERIAL:

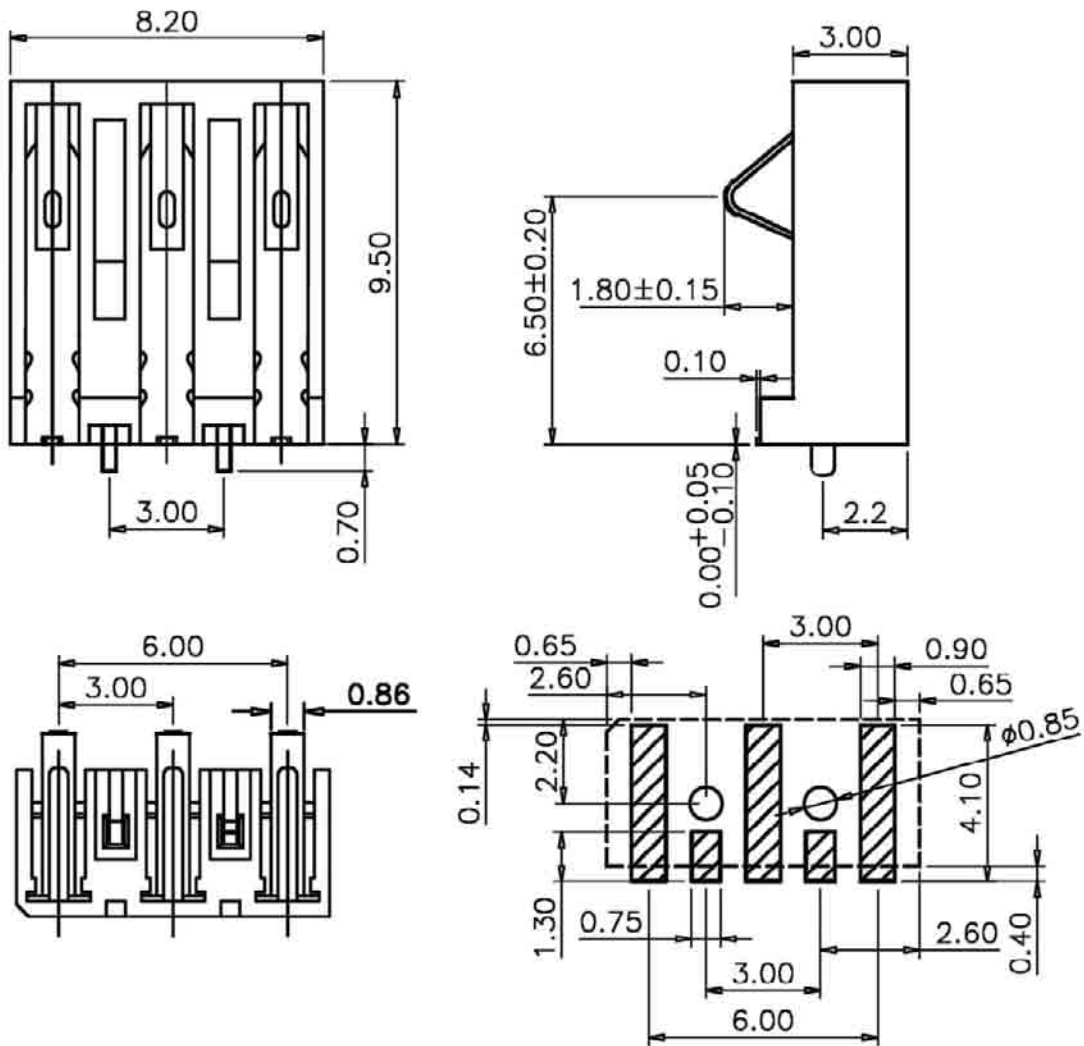
1.1 Housing: High Temp. Thermoplastic+Glass Fibre,
UL94V-0, Color: Black

1.2 Terminal: Copper Alloy

Finish: Gold Plated On Contact Area,
Gold Flash All Over 50µ Nickel plated

1.3 Cover: High Temp. Thermoplastic+Glass Fibre,
UL94V-0, Color: Black

* RoHS & REACH compliant.



Recommended P.C.Board Layout

ORDERING INFORMATION:

P/N B Y C 3 0 0 - 0 0 3 G 3 0 G

1. CONTACT SPACING:

"300" 3.00MM

2. NO. OF CONTACTS:

003

3. CONTACT FINISH:

"30" 30 MICROINCH GOLD

4. CONNECTOR CODE:

G

3.00MM PITCH 3 PIN BATTERY CONNECTOR H=7.5MM

SPECIFICATION:

ELECTRICAL SPECIFICATION:

1.1 Rated Current: 2A

1.2 Rated Voltage: 250V

ENVIRONMENTAL:

2.1 Operation Temperature: -55°C ~ +125°C

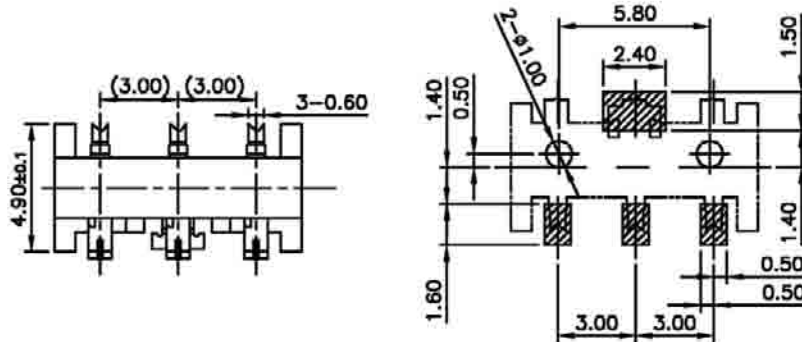
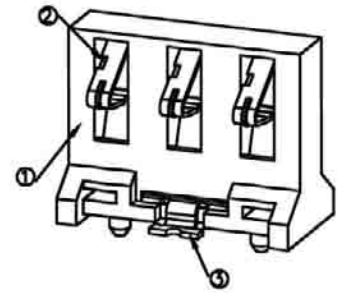
MATERIAL:

1.1 Housing: High Temp. Thermoplastic+Glass Fibre,
UL94V-0, Color: Black

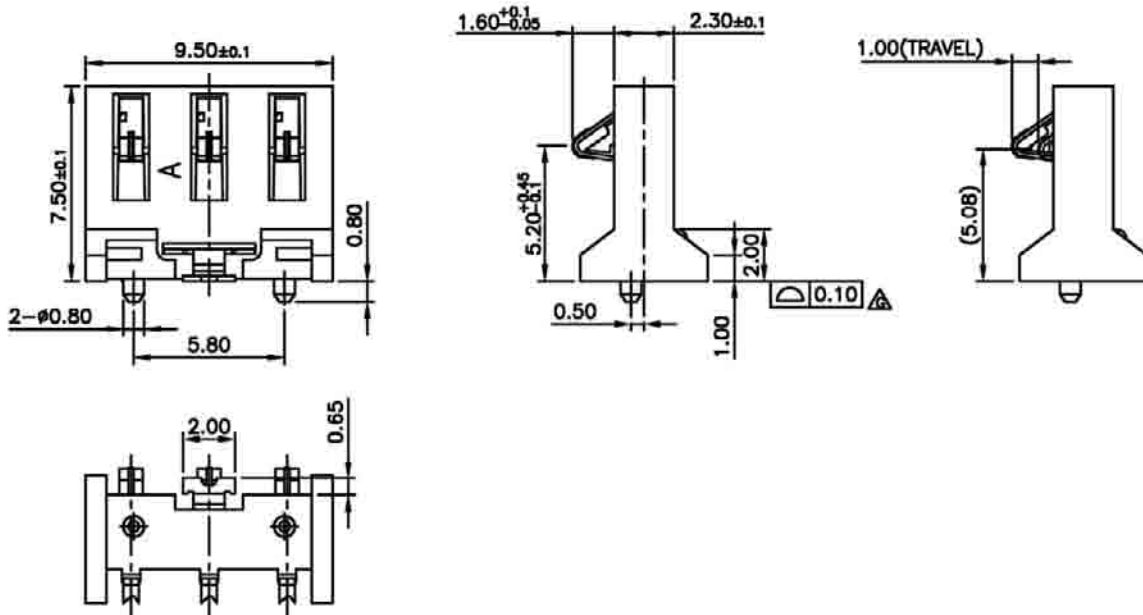
1.2 Terminal: Copper Alloy

Finish: Gold Plated On Contact Area,
Gold Flash All Over 50µ Nickel plated

* RoHS & REACH compliant.



Recommended P.C.Board Layout



ORDERING INFORMATION:

P/N B Y C 300 - 003 G xx H

1 2 3 4

1. CONTACT SPACING:

"300" 3.00MM

2. NO. OF CONTACTS:

003

3. CONTACT FINISH:

"xx" UPON REQUEST

4. CONNECTOR CODE:

H

3.00MM PITCH 3 PIN BATTERY CONNECTOR H=5.2MM

SPECIFICATION:

ELECTRICAL SPECIFICATION:

1.1 Rated Current: 2A

1.2 Rated Voltage: 250V

ENVIRONMENTAL:

2.1 Operation Temperature: -55°C ~ +125°C

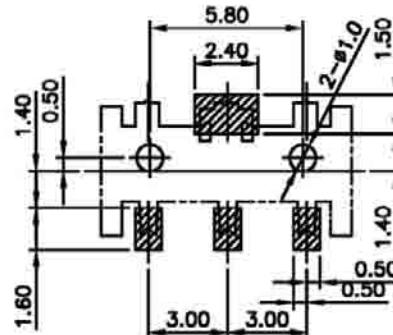
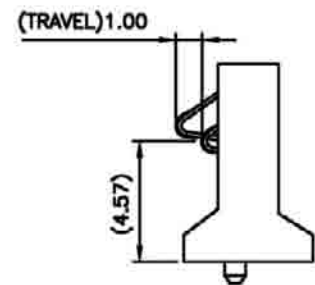
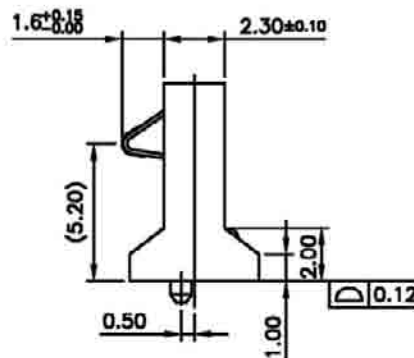
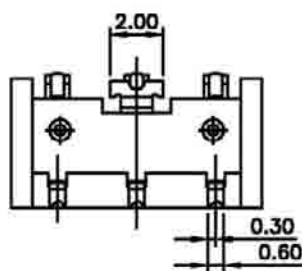
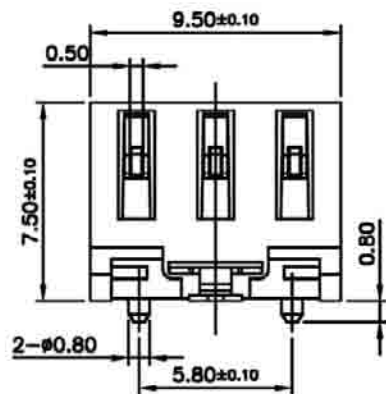
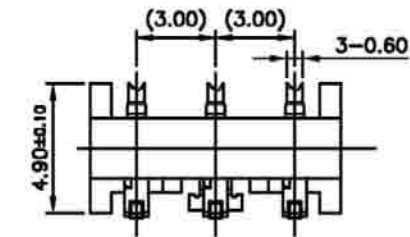
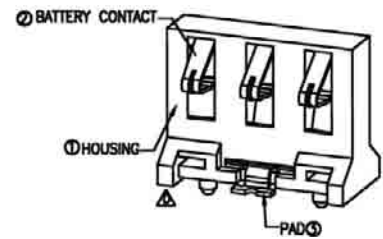
MATERIAL:

1.1 Housing: High Temp. Thermoplastic+Glass Fibre,
UL94V-0, Color: Black

1.2 Terminal: Copper Alloy

Finish: Gold Plated On Contact Area,
Gold Flash All Over 50u" Nickel plated

* RoHS & REACH compliant.



Recommended P.C. Board Layout

ORDERING INFORMATION:

P/N B Y C 300 - 003 G xx J

1 2 3 4

1. CONTACT SPACING:

"300" 3.00MM

2. NO. OF CONTACTS:

003

3. CONTACT FINISH:

"xx" UPON REQUEST

4. CONNECTOR CODE:

J

3.00MM PITCH 3 PIN BATTERY CONNECTOR 1.5A/200V H=6.5MM

SPECIFICATION:

ELECTRICAL SPECIFICATION:

1.1 Rated Current: 1.5A

1.2 Rated Voltage: 200V

ENVIRONMENTAL:

2.1 Operation Temperature: -40°C ~ +85°C

MATERIAL:

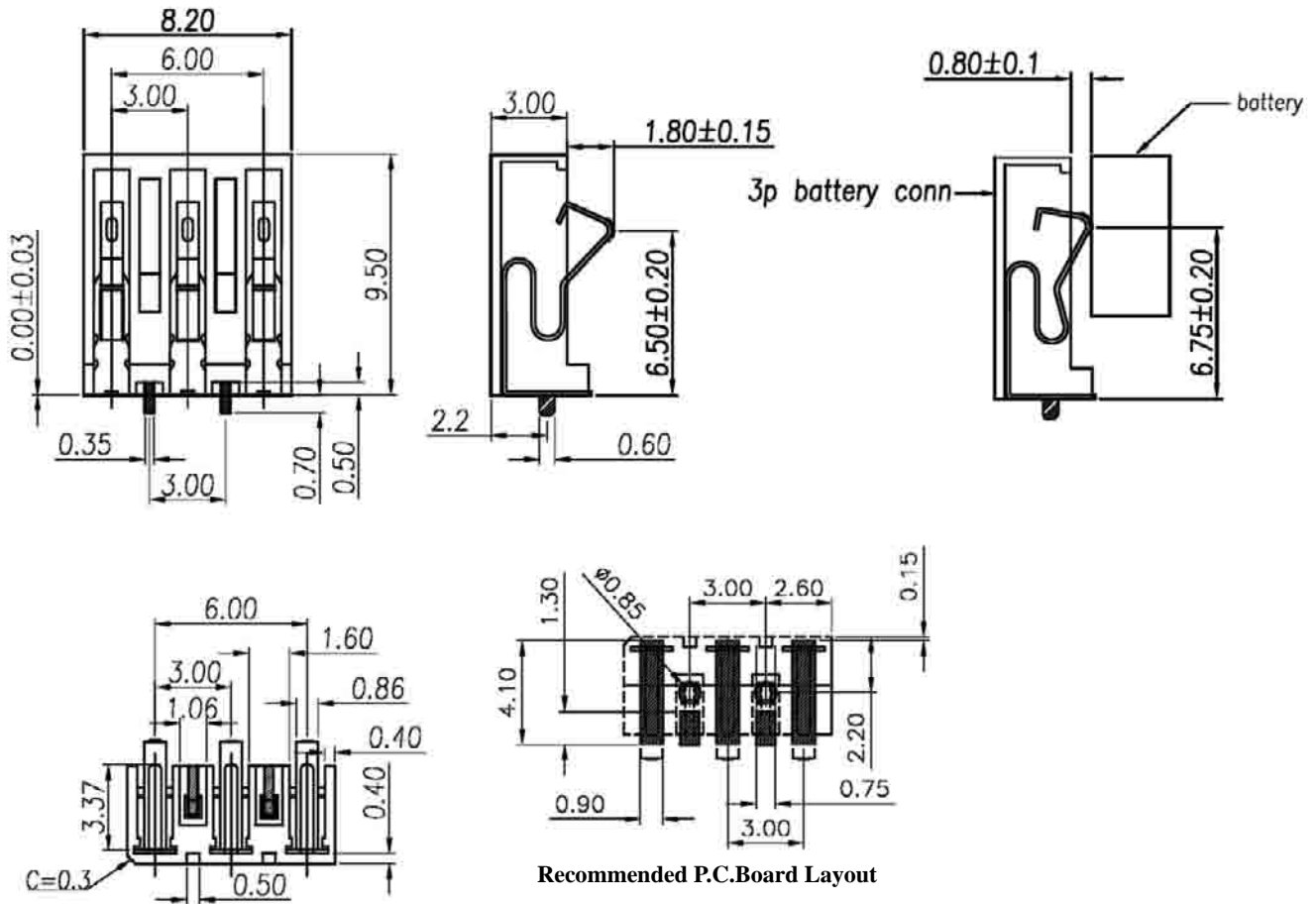
1.1 Housing: High Temp. Thermoplastic+Glass Fibre,
UL94V-0, Color: Black

1.2 Terminal: Copper Alloy

Finish: Gold Plated On Contact Area,
Gold Flash All Over 50µ Nickel plated

1.3 Cover: High Temp. Thermoplastic+Glass Fibre,
UL94V-0, Color: Black

* RoHS & REACH compliant.



ORDERING INFORMATION:

P/N B Y C 3 0 0 - 0 0 3 G 3 0 K

1 2 3 4

1. CONTACT SPACING:
"300" 3.00MM
2. NO. OF CONTACTS:
003
3. CONTACT FINISH:
"30" 30 MICROINCH GOLD
4. CONNECTOR CODE:
K

3.00MM PITCH 3 PIN BATTERY CONNECTOR H=3.9MM

SPECIFICATION:

ELECTRICAL SPECIFICATION:

1.1 Rated Current: 2A

1.2 Rated Voltage: 250V

ENVIRONMENTAL:

2.1 Operation Temperature: -55°C ~ +125°C

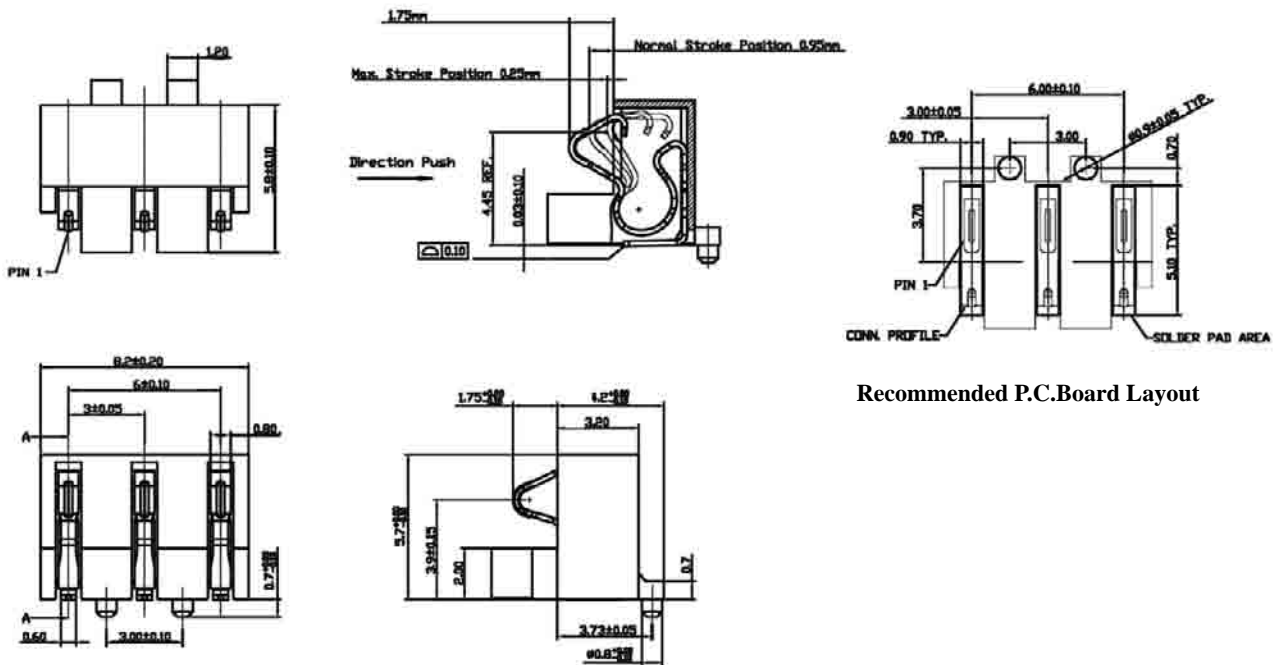
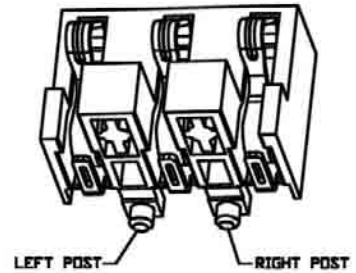
MATERIAL:

1.1 Housing: High Temp. Thermoplastic+Glass Fibre,
UL94V-0, Color: Black

1.2 Terminal: Copper Alloy

Finish: Gold Plated On Contact Area,
Gold Flash All Over 50µ Nickel plated

* RoHS & REACH compliant.



Recommended P.C.Board Layout

ORDERING INFORMATION:

P/N B Y C 3 0 0 - 0 0 3 G X X X X

- CONTACT SPACING:
"300" 3.00MM
- NO. OF CONTACTS:
003
- CONTACT FINISH:
"xx" UPON REQUEST

- CONNECTOR CODE:
"L" WITH TWO POSTS
"M" WITH LEFT POST ONLY
"N" WITH RIGHT POST ONLY
"P" WITHOUT POST

3.00MM PITCH 3 PIN BATTERY CONNECTOR 1.5A/125V

SPECIFICATION:

ELECTRICAL SPECIFICATION:

1.1 Rated Current: 1.5A

1.2 Rated Voltage: 125V

ENVIRONMENTAL:

2.1 Operation Temperature: -55°C ~ +125°C

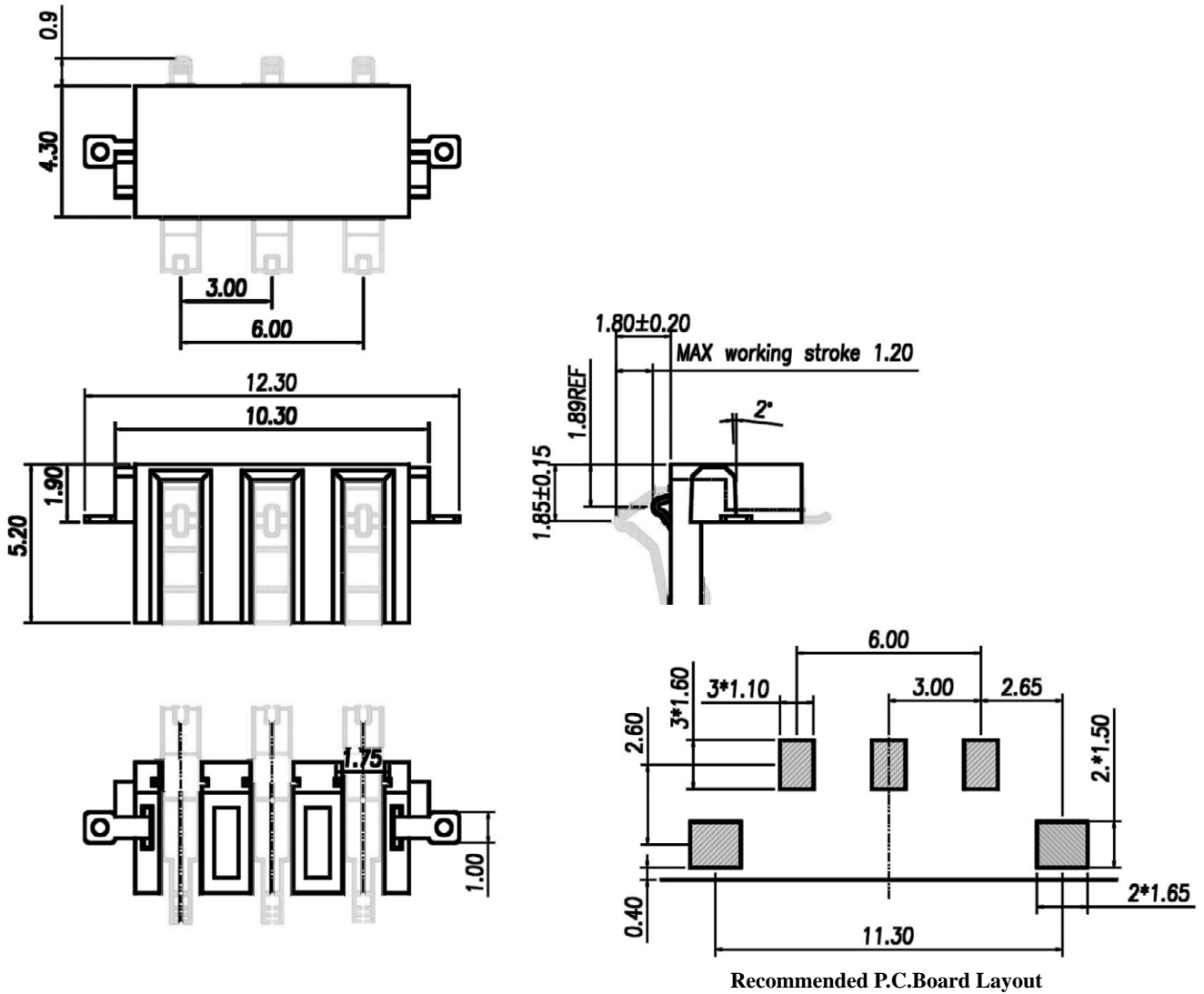
MATERIAL:

1.1 Housing: High Temp. Thermoplastic+Glass Fibre,
UL94V-0, Color: Black

1.2 Terminal: Copper Alloy

Finish: Gold Plated On Contact Area,
Gold Flash All Over 50µ Nickel plated

* RoHS & REACH compliant.



ORDERING INFORMATION:

P/N B Y C 3 0 0 - 0 0 3 G 3 0 Q

1. CONTACT SPACING:

"300" 3.00MM

2. NO. OF CONTACTS:

003

3. CONTACT FINISH:

"30" 30 MICROINCH GOLD

4. CONNECTOR CODE:

Q

3.00MM PITCH 4 PIN BATTERY CONNECTOR 3A/125V

SPECIFICATION:

ELECTRICAL SPECIFICATION:

1.1 Rated Current: 3A

1.2 Rated Voltage: 125V

ENVIRONMENTAL:

2.1 Operation Temperature: -25°C ~ +85°C

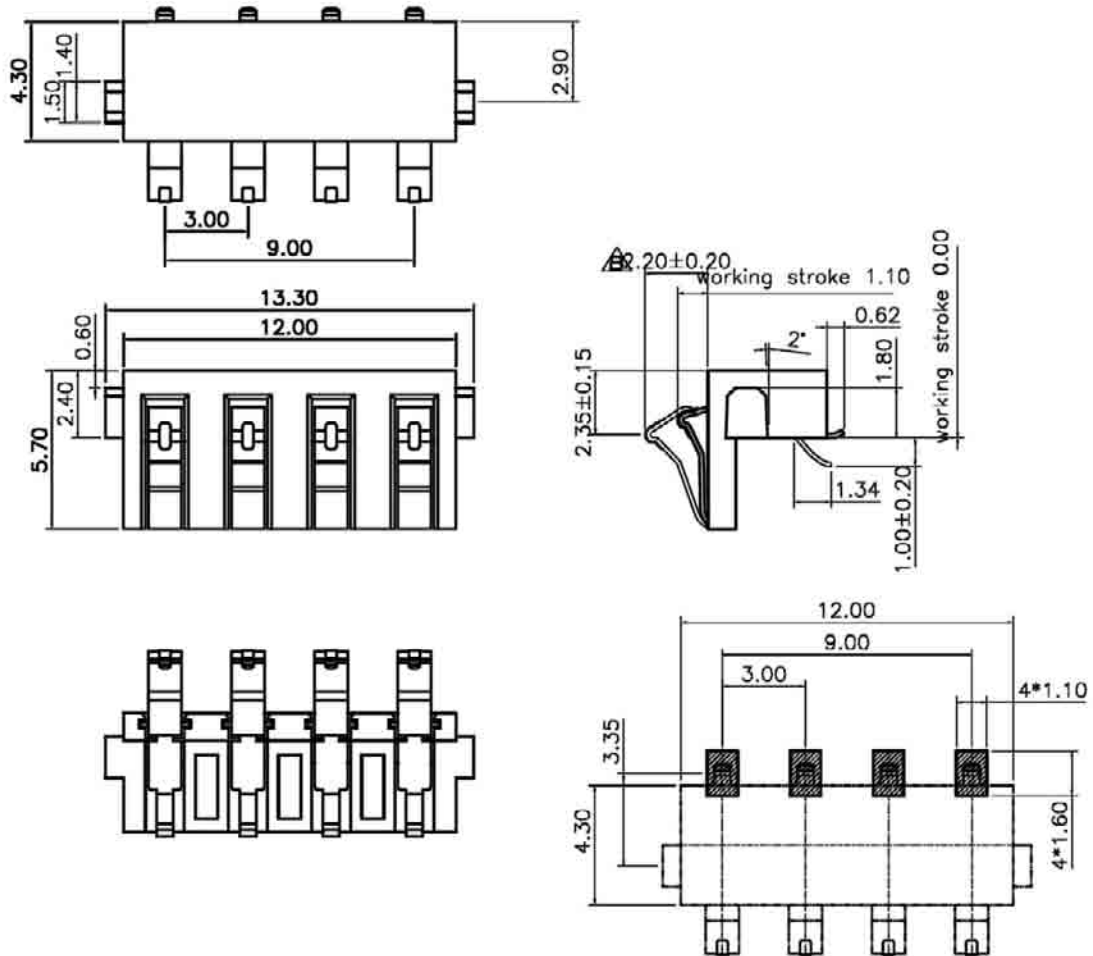
MATERIAL:

1.1 Housing: High Temp. Thermoplastic+Glass Fibre,
UL94V-0, Color: Black

1.2 Terminal: Copper Alloy

Finish: Gold Plated On Contact Area,
Gold Flash All Over 50µ Nickel plated

* RoHS & REACH compliant.



Recommended P.C.Board Layout

ORDERING INFORMATION:

P/N B Y C 3 0 0 - 0 0 4 G x x A

1. CONTACT SPACING:

"300" 3.00MM

2. NO. OF CONTACTS:

004

3. CONTACT FINISH:

"xx" UPON REQUEST

4. CONNECTOR CODE:

A

3.81MM PITCH 2 PIN BATTERY CONNECTOR 2A/12VDC SPRING TYPE

SPECIFICATION:

ELECTRICAL SPECIFICATION:

1.1 Rated Current: 2A

1.2 Rated Voltage: 12VDC

ENVIRONMENTAL:

2.1 Operation Temperature: -40°C ~ +105°C

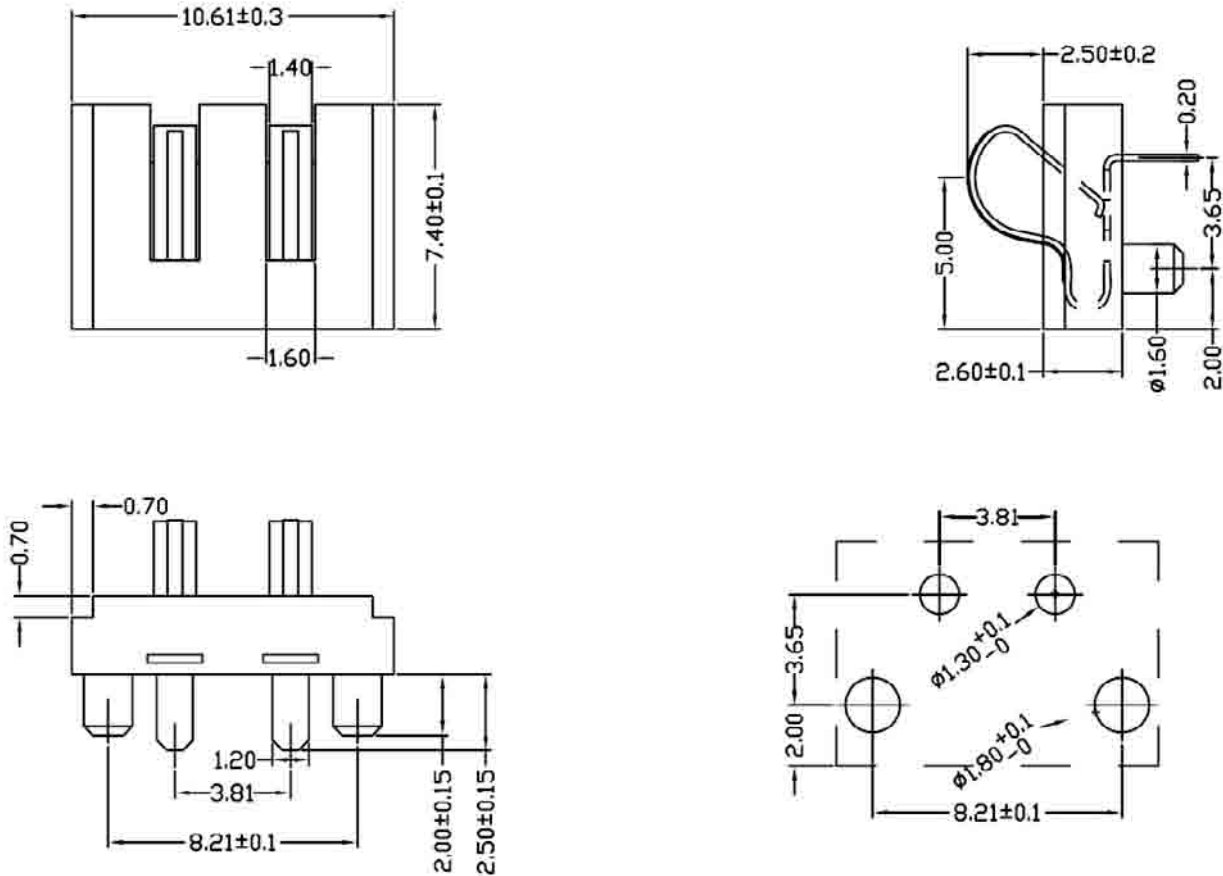
MATERIAL:

1.1 Housing: High Temp. Thermoplastic+Glass Fibre,
UL94V-0, Color: Black

1.2 Terminal: Copper Alloy

Finish: Gold Plated On Contact Area,
Gold Flash All Over 50u" Nickel plated

* RoHS & REACH compliant.



ORDERING INFORMATION:

P/N B Y C 3 8 1 - 0 0 2 G x x A

1. CONTACT SPACING:
"381" 3.81MM
2. NO. OF CONTACTS:
002
3. CONTACT FINISH:
"xx" UPON REQUEST
4. CONNECTOR CODE:
A

3.81MM PITCH 3 PIN BATTERY CONNECTOR 2A/12VDC SPRING TYPE

SPECIFICATION:

ELECTRICAL SPECIFICATION:

1.1 Rated Current: 2A

1.2 Rated Voltage: 12VDC

ENVIRONMENTAL:

2.1 Operation Temperature: -40°C ~ +105°C

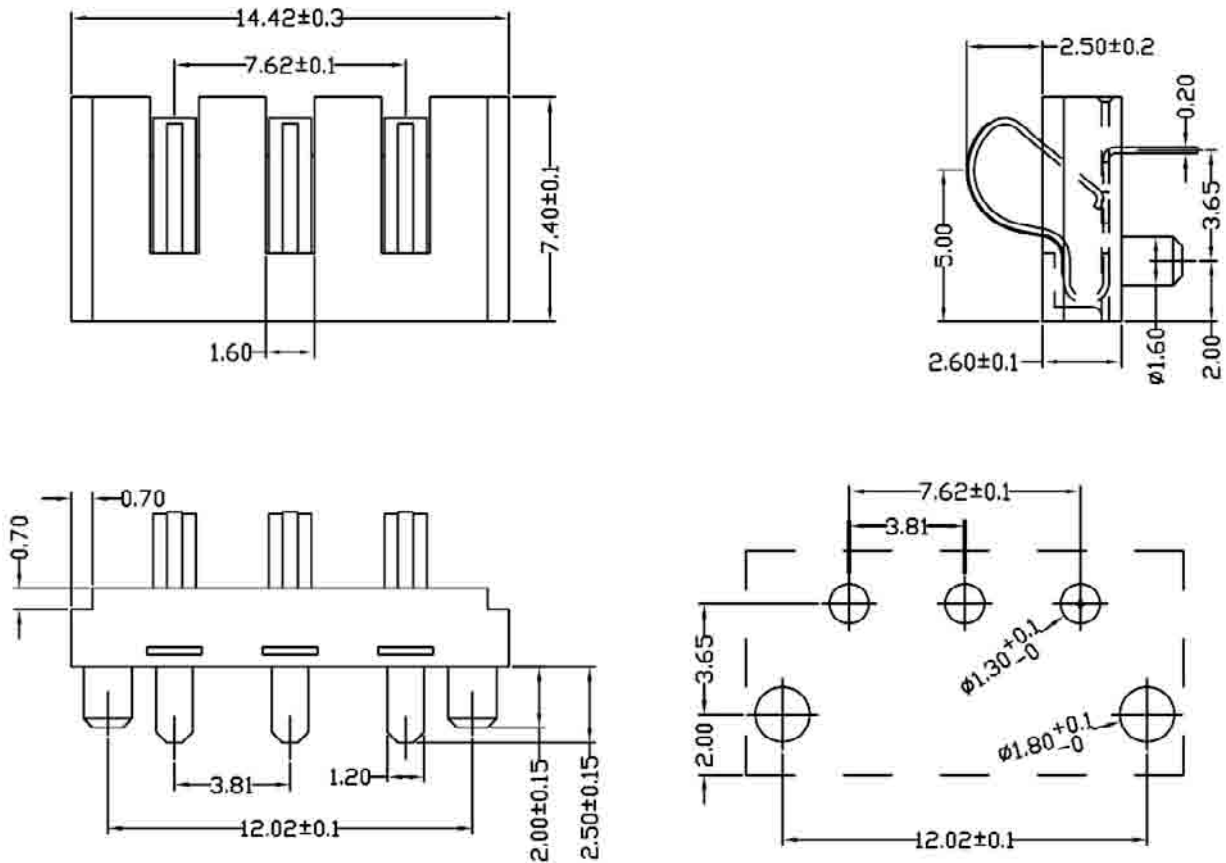
MATERIAL:

1.1 Housing: High Temp. Thermoplastic+Glass Fibre,
UL94V-0, Color: Black

1.2 Terminal: Copper Alloy

Finish: Gold Plated On Contact Area,
Gold Flash All Over 50µ Nickel plated

* RoHS & REACH compliant.



ORDERING INFORMATION:

P/N B Y C 3 81 - 003 G xx A

1. CONTACT SPACING:
"381" 3.81MM
2. NO. OF CONTACTS:
003
3. CONTACT FINISH:
"xx" UPON REQUEST
4. CONNECTOR CODE:
A

3.81MM PITCH 4 PIN BATTERY CONNECTOR 2A/12VDC SPRING TYPE

SPECIFICATION:

ELECTRICAL SPECIFICATION:

1.1 Rated Current: 2A

1.2 Rated Voltage: 12VDC

ENVIRONMENTAL:

2.1 Operation Temperature: -40°C ~ +105°C

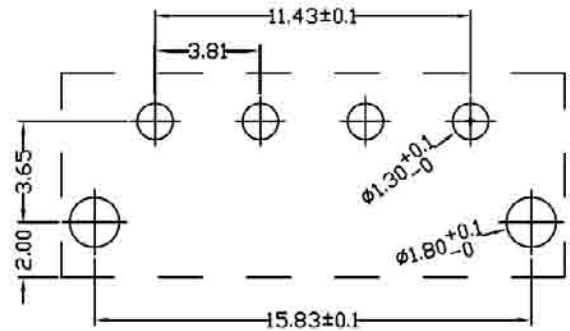
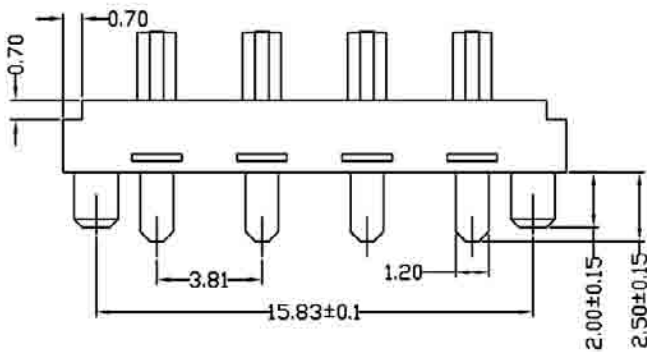
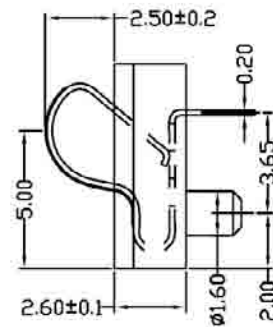
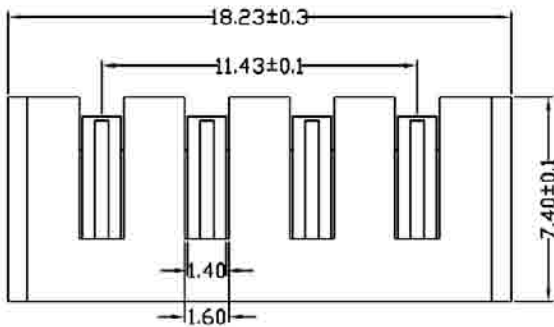
MATERIAL:

1.1 Housing: High Temp. Thermoplastic+Glass Fibre,
UL94V-0, Color: Black

1.2 Terminal: Copper Alloy

Finish: Gold Plated On Contact Area,
Gold Flash All Over 50µ Nickel plated

* RoHS & REACH compliant.



ORDERING INFORMATION:

P/N B Y C 3 8 1 - 0 0 4 G x x A

1. CONTACT SPACING:
"381" 3.81MM
2. NO. OF CONTACTS:
004
3. CONTACT FINISH:
"xx" UPON REQUEST
4. CONNECTOR CODE:
A

3.90MM PITCH 2 PIN BATTERY CONNECTOR H=5.4MM

SPECIFICATION:

ELECTRICAL SPECIFICATION:

1.1 Rated Current: 2A

1.2 Rated Voltage: 250V

ENVIRONMENTAL:

2.1 Operation Temperature: -55°C ~ +125°C

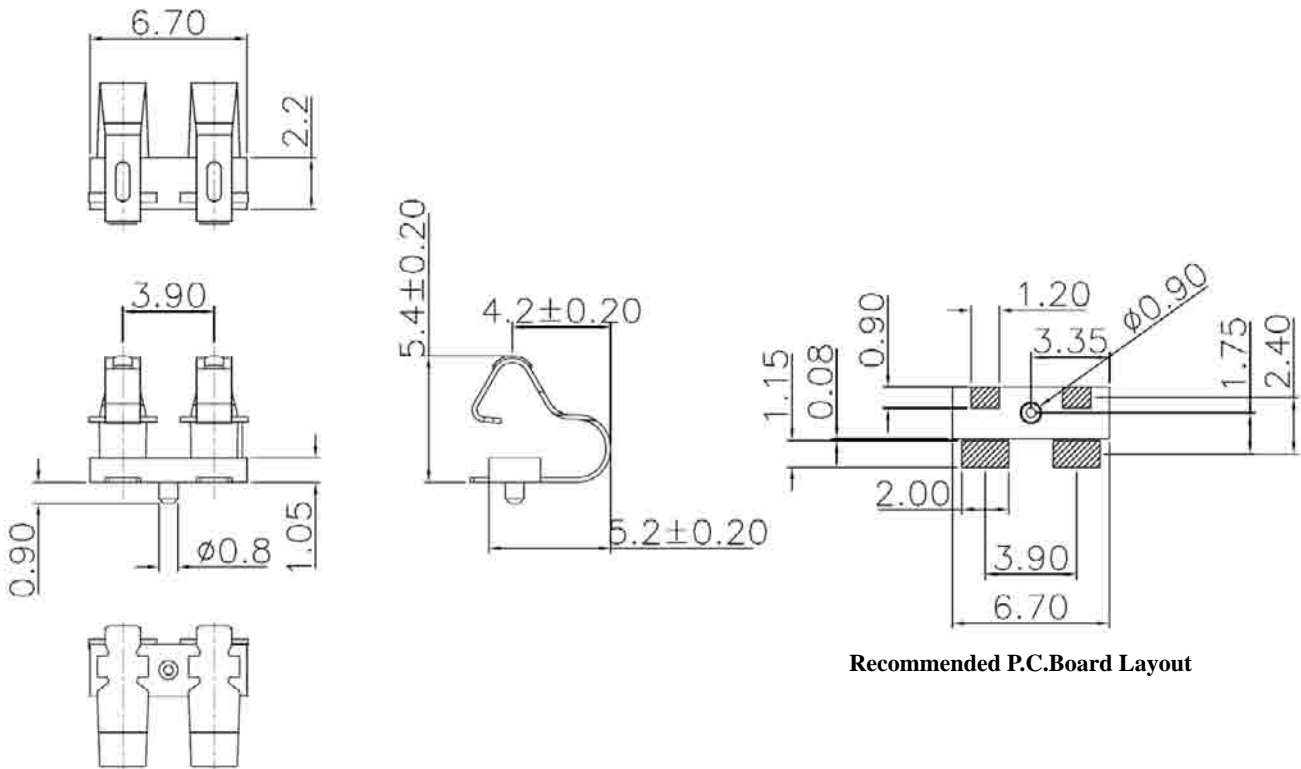
MATERIAL:

1.1 Housing: High Temp. Thermoplastic+Glass Fibre,
UL94V-0, Color: Black

1.2 Terminal: Copper Alloy

Finish: Gold Plated On Contact Area,
Gold Flash All Over 50µ Nickel plated

* RoHS & REACH compliant.



Recommended P.C.Board Layout

ORDERING INFORMATION:

P/N B Y C 3 9 0 - 0 0 2 G 3 0 A
 1 2 3 4

1. CONTACT SPACING:
"390" 3.90MM
2. NO. OF CONTACTS:
002
3. CONTACT FINISH:
"30" 30 MICROINCH GOLD
4. CONNECTOR CODE:
A

3.90MM PITCH 5 PIN BATTERY CONNECTOR 1.5A/125VDC

SPECIFICATION:

ELECTRICAL SPECIFICATION:

1.1 Rated Current: 1.5A

1.2 Rated Voltage: 125VDC

ENVIRONMENTAL:

2.1 Operation Temperature: -55°C ~ +125°C

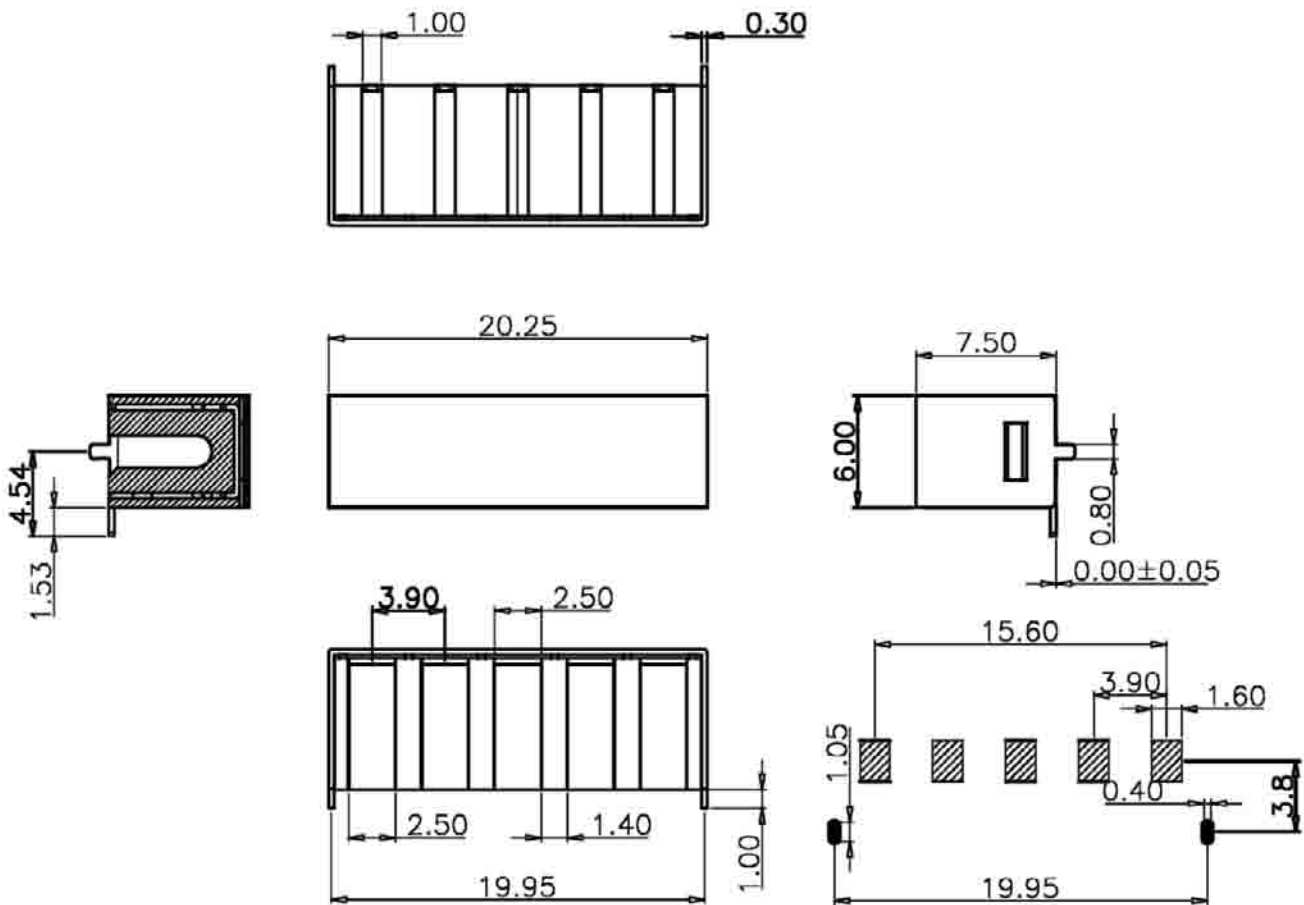
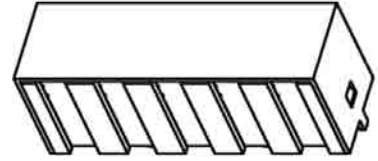
MATERIAL:

1.1 Housing: High Temp. Thermoplastic+Glass Fibre,
UL94V-0, Color: Black

1.2 Terminal: Copper Alloy

Finish: Gold Plated On Contact Area,
Gold Flash All Over 50µ Nickel plated

* RoHS & REACH compliant.



Recommended P.C.Board Layout

ORDERING INFORMATION:

P/N B Y C 3 9 0 - 0 0 5 G 3 0 A
1 2 3 4

1. CONTACT SPACING:
"390" 3.90MM
2. NO. OF CONTACTS:
005
3. CONTACT FINISH:
"30" 30 MICROINCH GOLD
4. CONNECTOR CODE:
A

3.90MM PITCH 5 PIN BATTERY CONNECTOR 1.5A/200V H=4.9MM

SPECIFICATION:

ELECTRICAL SPECIFICATION:

1.1 Rated Current: 1.5A

1.2 Rated Voltage: 200V

ENVIRONMENTAL:

2.1 Operation Temperature: -40°C ~ +85°C

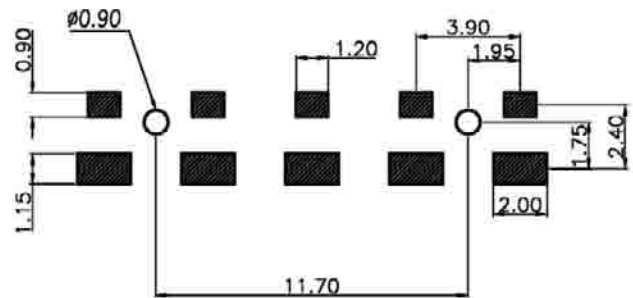
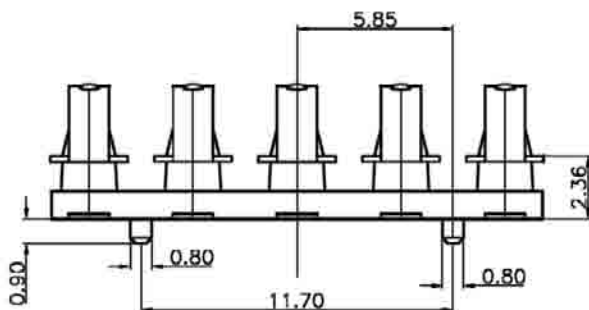
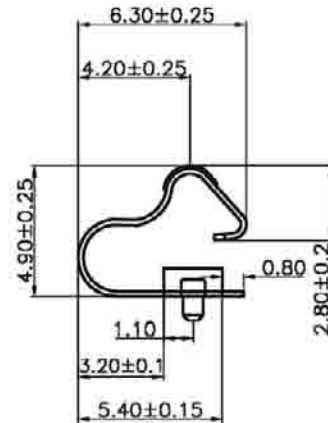
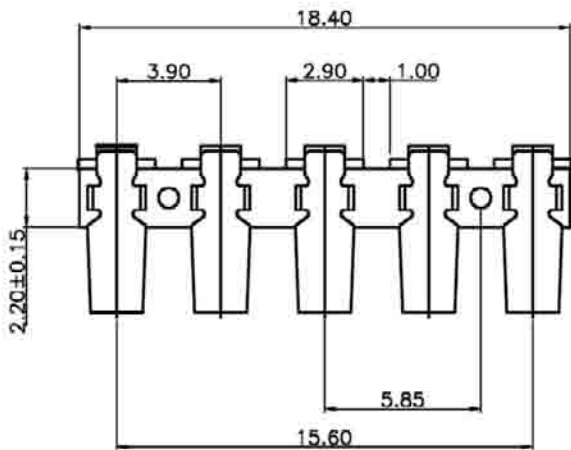
MATERIAL:

1.1 Housing: High Temp. Thermoplastic+Glass Fibre,
UL94V-0, Color: Black

1.2 Terminal: Copper Alloy

Finish: Gold Plated On Contact Area,
Gold Flash All Over 50µ Nickel plated

* RoHS & REACH compliant.



Recommended P.C.Board Layout

ORDERING INFORMATION:

P/N B Y C 3 9 0 - 0 0 5 G 3 0 B
1 2 3 4

1. CONTACT SPACING:
"390" 3.90MM
2. NO. OF CONTACTS:
005
3. CONTACT FINISH:
"30" 30 MICROINCH GOLD
4. CONNECTOR CODE:
B

4.00MM PITCH 3 PIN BATTERY CONNECTOR 3A/350VAC H=6.35MM

SPECIFICATION:

ELECTRICAL SPECIFICATION:

1.1 Rated Current: 3A

1.2 Rated Voltage: 350VAC

ENVIRONMENTAL:

2.1 Operation Temperature: -40°C ~ +85°C

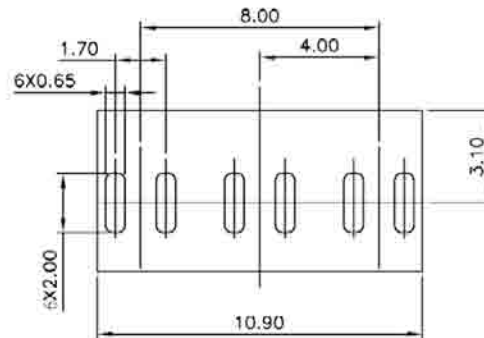
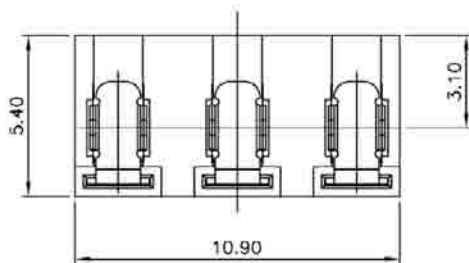
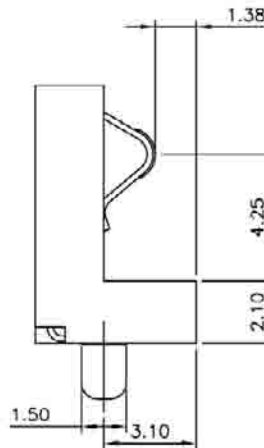
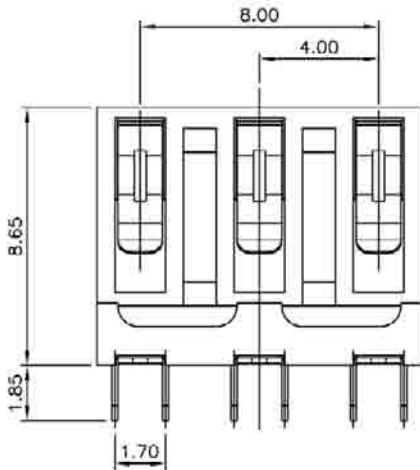
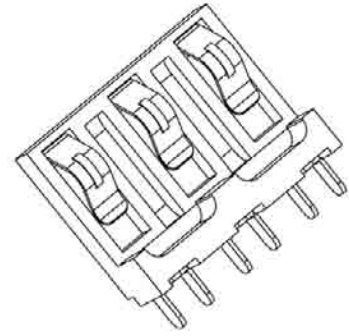
MATERIAL:

1.1 Housing: High Temp. Thermoplastic+Glass Fibre,
UL94V-0, Color: Black

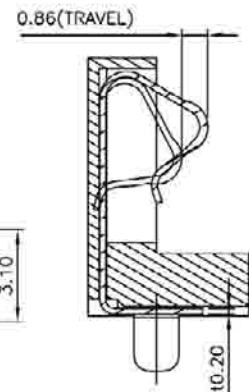
1.2 Terminal: Copper Alloy

Finish: Gold Plated On Contact Area,
Gold Flash All Over 50µ Nickel plated

* RoHS & REACH compliant.



Recommended P.C.Board Layout



ORDERING INFORMATION:

P/N B Y C 400 - 003 G xx A

1 2 3 4

1. CONTACT SPACING:

"400" 4.00MM

2. NO. OF CONTACTS:

003

3. CONTACT FINISH:

"xx" UPON REQUEST

4. CONNECTOR CODE:

A

4.00MM PITCH 3 PIN BATTERY CONNECTOR 3A/250V H=6.28MM

SPECIFICATION:

ELECTRICAL SPECIFICATION:

1.1 Rated Current: 3A

1.2 Rated Voltage: 250V

ENVIRONMENTAL:

2.1 Operation Temperature: -40°C ~ +85°C

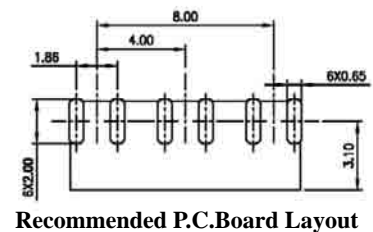
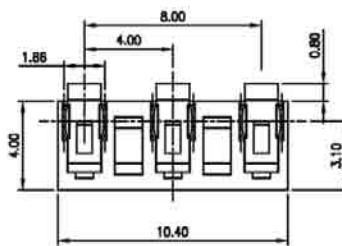
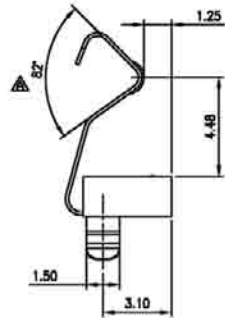
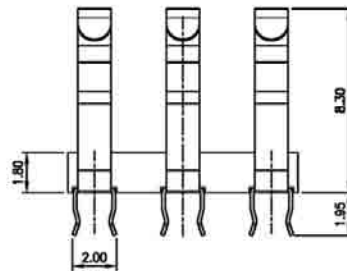
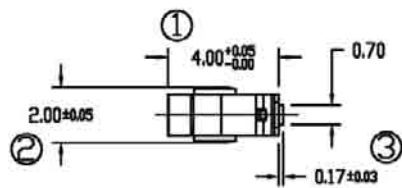
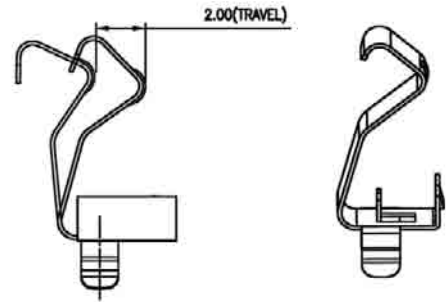
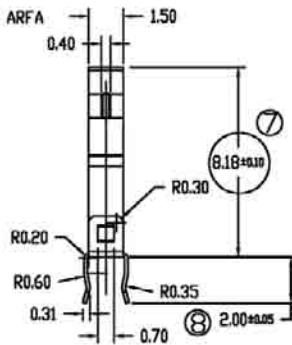
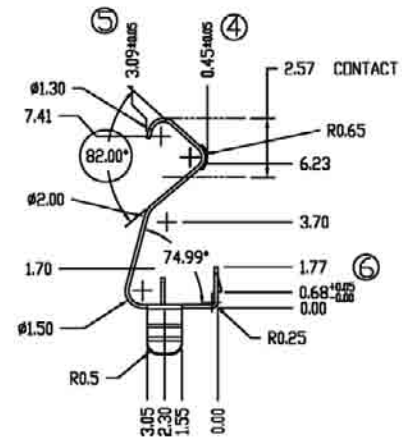
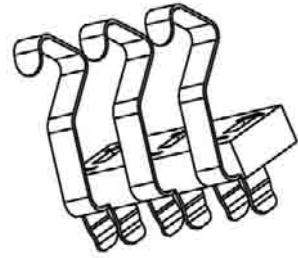
MATERIAL:

1.1 Housing: High Temp. Thermoplastic+Glass Fibre,
UL94V-0, Color: Black

1.2 Terminal: Copper Alloy

Finish: Gold Plated On Contact Area,
Gold Flash All Over 50u" Nickel plated

* RoHS & REACH compliant.



Recommended P.C.Board Layout

ORDERING INFORMATION:

P/N B Y C 400 - 003 G xx B

1. CONTACT SPACING:
"400" 4.00MM
2. NO. OF CONTACTS:
003
3. CONTACT FINISH:
"xx" UPON REQUEST
4. CONNECTOR CODE:
B

4.35MM PITCH 2 PIN BATTERY CONNECTOR H=1.9MM

SPECIFICATION:

ELECTRICAL SPECIFICATION:

1.1 Rated Current: 2A

1.2 Rated Voltage: 250V

ENVIRONMENTAL:

2.1 Operation Temperature: -55°C ~ +125°C

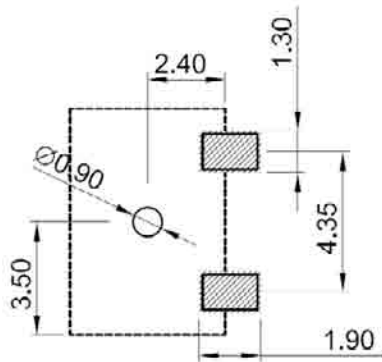
MATERIAL:

1.1 Housing: High Temp. Thermoplastic+Glass Fibre,
UL94V-0, Color: Black

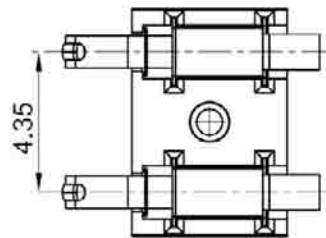
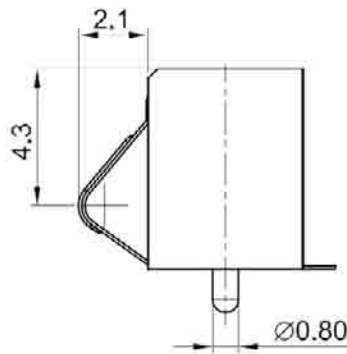
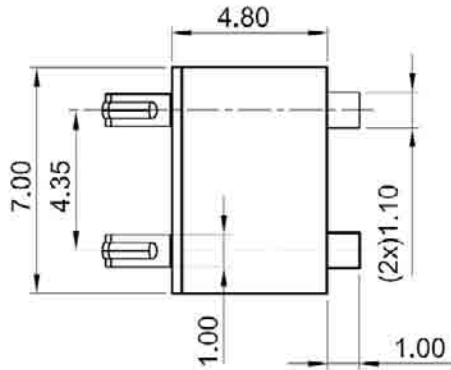
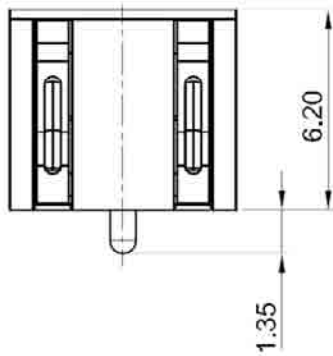
1.2 Terminal: Copper Alloy

Finish: Gold Plated On Contact Area,
Gold Flash All Over 50µ Nickel plated

* RoHS & REACH compliant.



Recommended P.C.Board Layout



ORDERING INFORMATION:

P/N B Y C 4 3 5 - 0 0 2 G 0 5 A
1 2 3 4

1. CONTACT SPACING:

"435" 4.35MM

2. NO. OF CONTACTS:

002

3. CONTACT FINISH:

"05" 5 MICROINCH GOLD

4. CONNECTOR CODE:

A

5.00MM PITCH 2 PIN BATTERY CONNECTOR 1.5A/125V H=3.0MM

SPECIFICATION:

ELECTRICAL SPECIFICATION:

1.1 Rated Current: 1.5A

1.2 Rated Voltage: 125V

ENVIRONMENTAL:

2.1 Operation Temperature: -40°C ~ +105°C

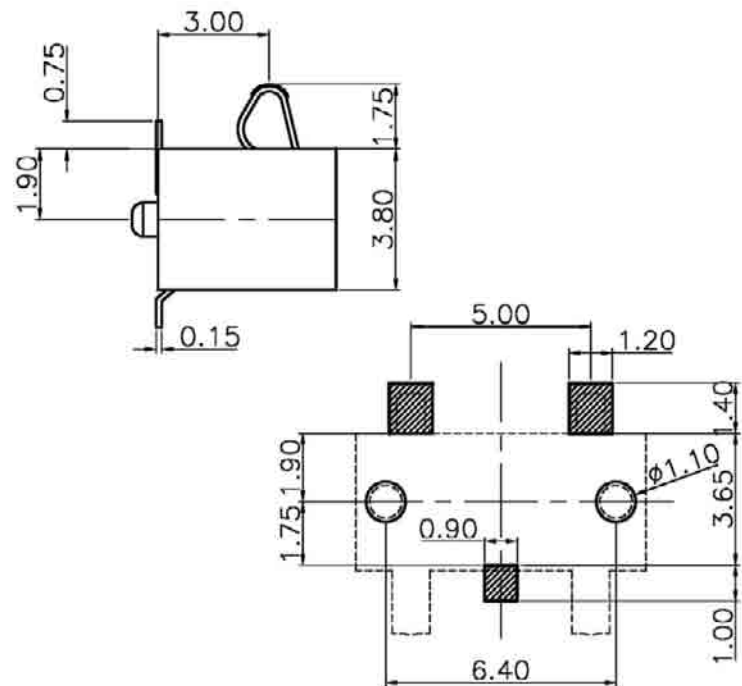
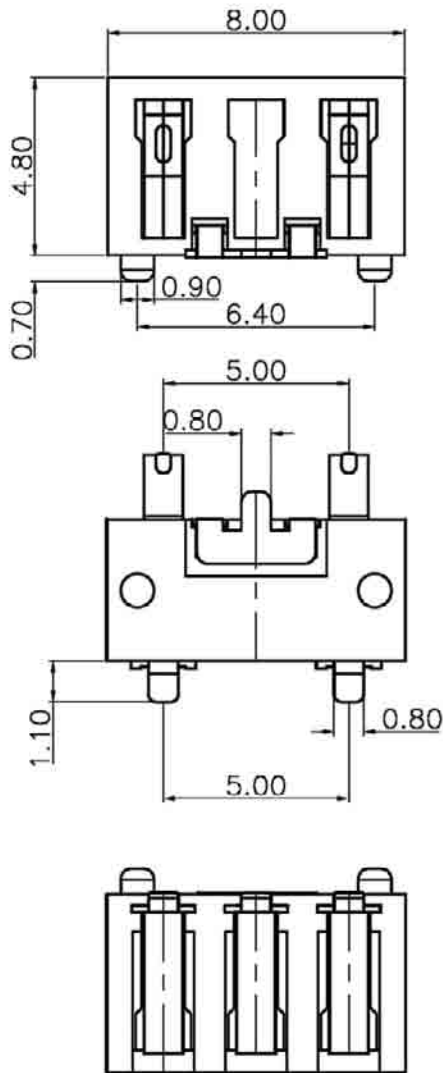
MATERIAL:

1.1 Housing: High Temp. Thermoplastic+Glass Fibre,
UL94V-0, Color: Black

1.2 Terminal: Copper Alloy

Finish: Gold Plated On Contact Area,
Gold Flash All Over 50µ Nickel plated

* RoHS & REACH compliant.



Recommended P.C.Board Layout

ORDERING INFORMATION:

P/N B Y C 500 - 002 G 30A

1 2 3 4

1. CONTACT SPACING:
"500" 5.00MM
2. NO. OF CONTACTS:
002
3. CONTACT FINISH:
"30" 30 MICROINCH GOLD
4. CONNECTOR CODE:
A

5.60MM PITCH 4 PIN BATTERY CONNECTOR 1.5A/125V H=5.3MM FOR NOKIA 3310

SPECIFICATION:

ELECTRICAL SPECIFICATION:

1.1 Rated Current: 1.5A

1.2 Rated Voltage: 125V

ENVIRONMENTAL:

2.1 Operation Temperature: -40°C ~ +85°C

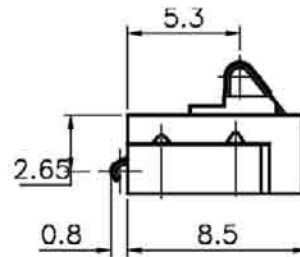
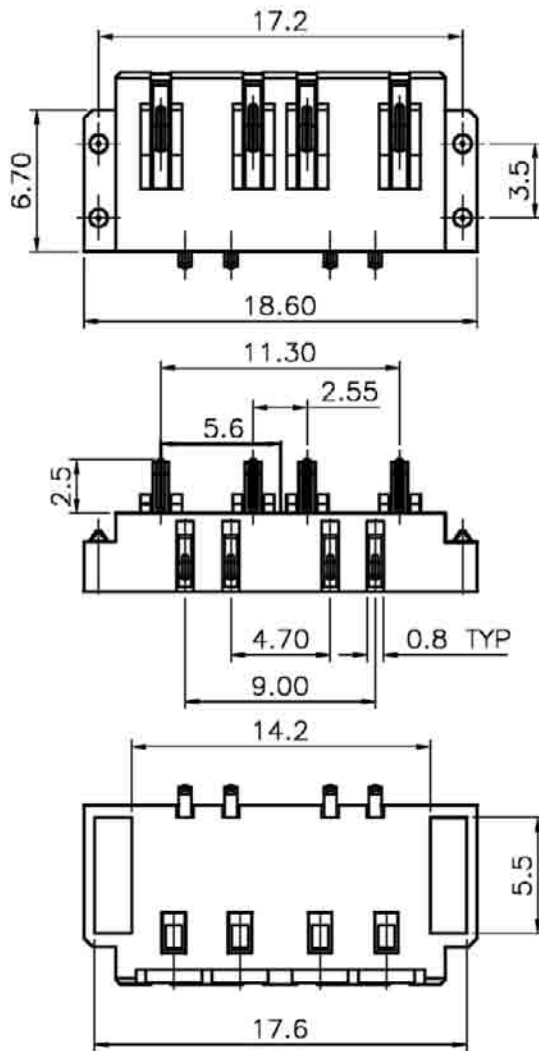
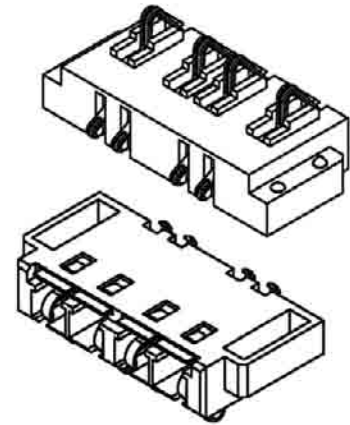
MATERIAL:

1.1 Housing: High Temp. Thermoplastic+Glass Fibre,
UL94V-0, Color: Black

1.2 Terminal: Copper Alloy

Finish: Gold Plated On Contact Area,
Gold Flash All Over 50µ Nickel plated

* RoHS & REACH compliant.



ORDERING INFORMATION:

P/N B Y C 560 - 004 G 30 A

1 2 3 4

1. CONTACT SPACING:

"560" 5.60MM

2. NO. OF CONTACTS:

004

3. CONTACT FINISH:

"30" 30 MICROINCH GOLD

4. CONNECTOR CODE:

A

6.50MM PITCH 3 PIN BATTERY CONNECTOR 1.5A/200V

SPECIFICATION:

ELECTRICAL SPECIFICATION:

1.1 Rated Current: 1.5A

1.2 Rated Voltage: 200V

ENVIRONMENTAL:

2.1 Operation Temperature: -25°C ~ +85°C

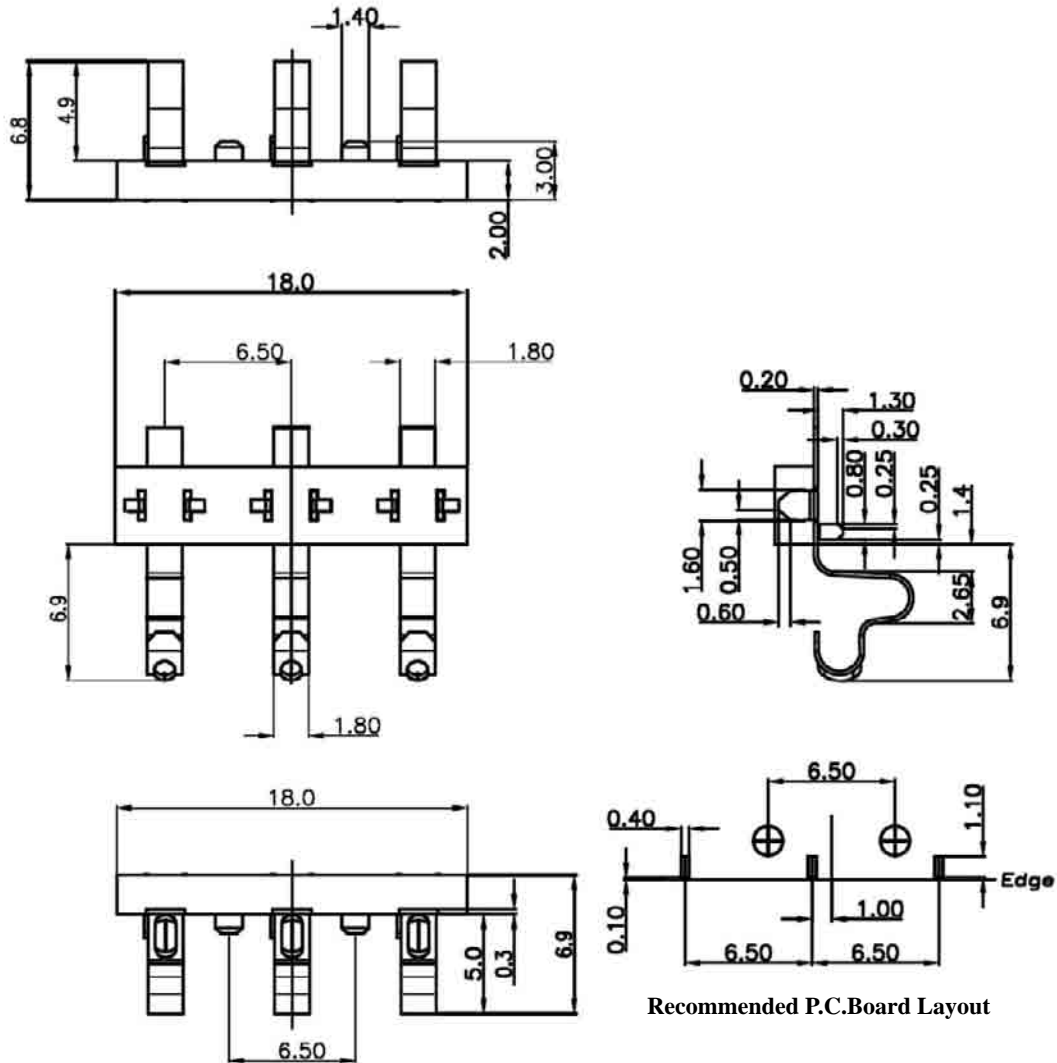
MATERIAL:

1.1 Housing: High Temp. Thermoplastic+Glass Fibre,
UL94V-0, Color: Black

1.2 Terminal: Copper Alloy

Finish: Gold Plated On Contact Area,
Gold Flash All Over 50µ Nickel plated

* RoHS & REACH compliant.



ORDERING INFORMATION:

P/N B Y C 6 5 0 - 0 0 3 G 3 0 A
1 2 3 4

1. CONTACT SPACING:
"650" 6.50MM
2. NO. OF CONTACTS:
003
3. CONTACT FINISH:
"30" 30 MICROINCH GOLD
4. CONNECTOR CODE:
A

6.50MM PITCH 3 PIN BATTERY CONNECTOR 1.5A/125V H=3.3MM

SPECIFICATION:

ELECTRICAL SPECIFICATION:

1.1 Rated Current: 1.5A

1.2 Rated Voltage: 125V

ENVIRONMENTAL:

2.1 Operation Temperature: -40°C ~ +105°C

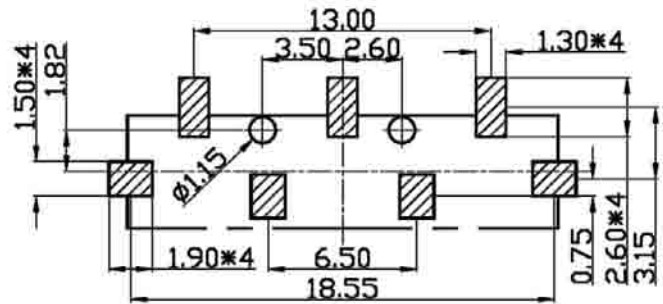
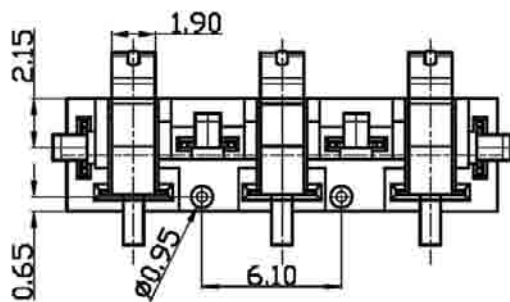
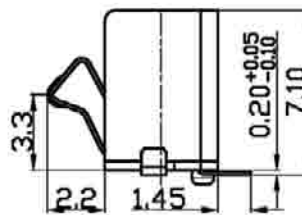
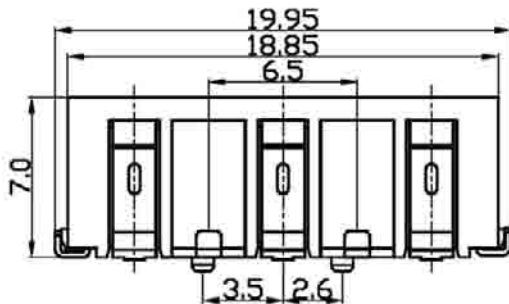
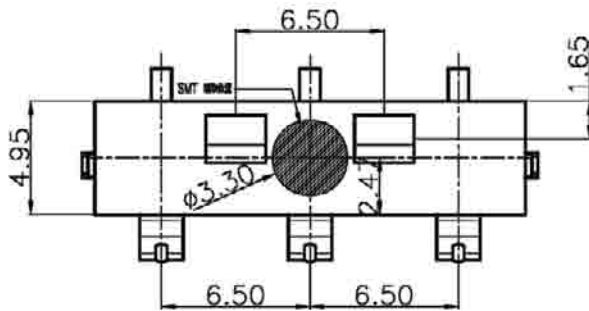
MATERIAL:

1.1 Housing: High Temp. Thermoplastic+Glass Fibre,
UL94V-0, Color: Black

1.2 Terminal: Copper Alloy

Finish: Gold Plated On Contact Area,
Gold Flash All Over 50u" Nickel plated

* RoHS & REACH compliant.



Recommended P.C.Board Layout

ORDERING INFORMATION:

P/N B Y C 650 - 003 G 15 B
1 2 3 4

1. CONTACT SPACING:

"650" 6.50MM

2. NO. OF CONTACTS:

003

3. CONTACT FINISH:

"15" 15 MICROINCH GOLD

4. CONNECTOR CODE:

B

6.50MM PITCH 3 PIN BATTERY CONNECTOR FOR CHARGER 1.5A/125V WHITE H=3.3MM

SPECIFICATION:

ELECTRICAL SPECIFICATION:

1.1 Rated Current: 1.5A

1.2 Rated Voltage: 125V

ENVIRONMENTAL:

2.1 Operation Temperature: -25°C ~ +85°C

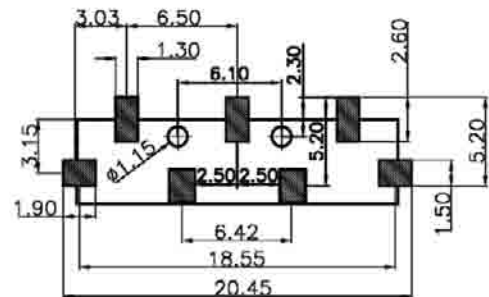
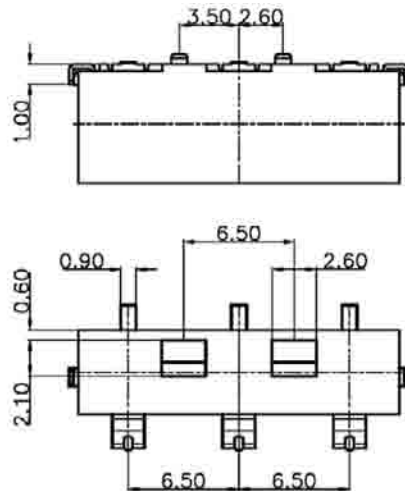
MATERIAL:

1.1 Housing: High Temp. Thermoplastic+Glass Fibre,
UL94V-0, Color: White

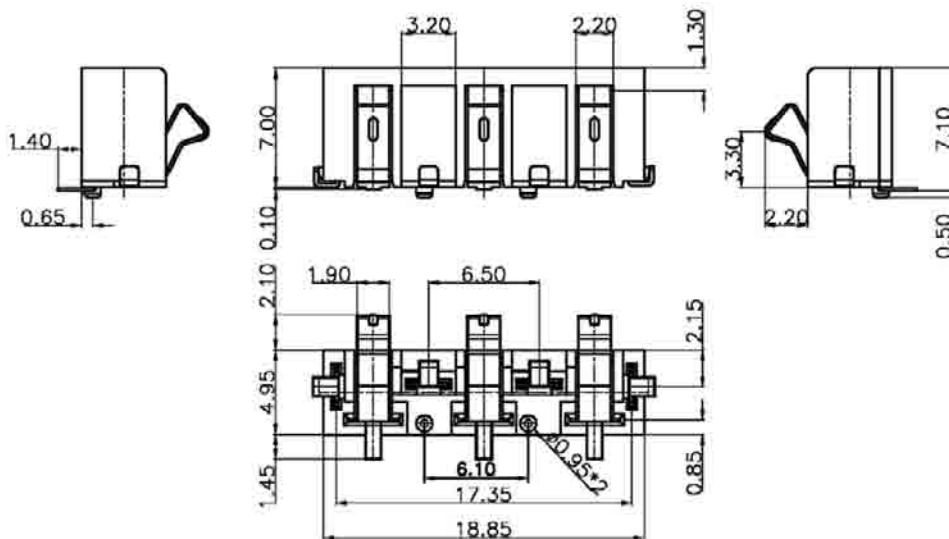
1.2 Terminal: Copper Alloy

Finish: Gold Plated On Contact Area,
Gold Flash All Over 50u" Nickel plated

* RoHS & REACH compliant.



Recommended P.C. Board Layout



ORDERING INFORMATION:

P/N B Y C 6 5 0 - 0 0 3 G 3 0 C
1 2 3 4

1. CONTACT SPACING:
"650" 6.50MM
2. NO. OF CONTACTS:
003
3. CONTACT FINISH:
"30" 30 MICROINCH GOLD
4. CONNECTOR CODE:
C

6.50MM PITCH 3 PIN BATTERY CONNECTOR FOR CHARGER H=5.3MM

SPECIFICATION:

ELECTRICAL SPECIFICATION:

1.1 Rated Current: 1A

1.2 Rated Voltage: 200V

ENVIRONMENTAL:

2.1 Operation Temperature: -25°C ~ +85°C

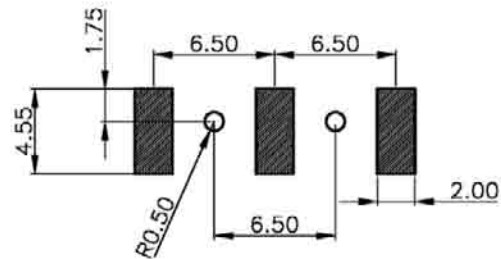
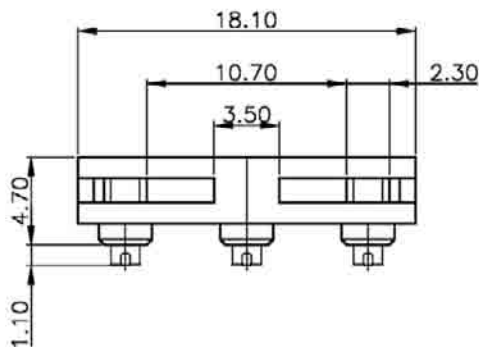
MATERIAL:

1.1 Housing: High Temp. Thermoplastic+Glass Fibre,
UL94V-0, Color: Black

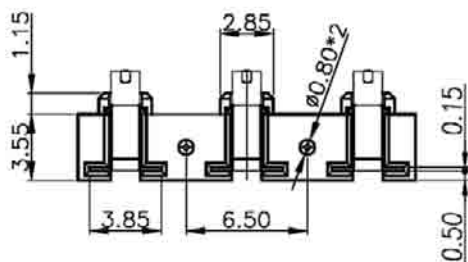
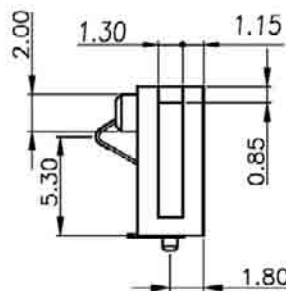
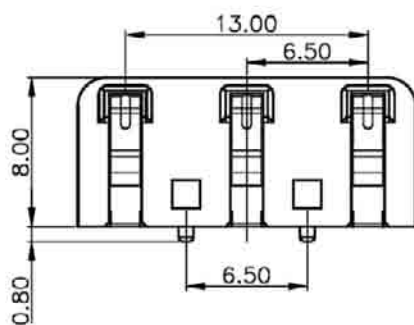
1.2 Terminal: Copper Alloy

Finish: Gold Plated On Contact Area,
Gold Flash All Over 50µ Nickel plated

* RoHS & REACH compliant.



Recommended P.C.Board Layout



SECTION A-A

ORDERING INFORMATION:

P/N B Y C 650 - 003 G 30 D

1. CONTACT SPACING:
"650" 6.50MM
2. NO. OF CONTACTS:
003
3. CONTACT FINISH:
"30" 30 MICROINCH GOLD
4. CONNECTOR CODE:
D

6.50MM PITCH 3 PIN BATTERY CONNECTOR FOR CHARGER 1A/200V H=8.0MM

SPECIFICATION:

ELECTRICAL SPECIFICATION:

1.1 Rated Current: 1A

1.2 Rated Voltage: 200V

ENVIRONMENTAL:

2.1 Operation Temperature: -40°C ~ +85°C

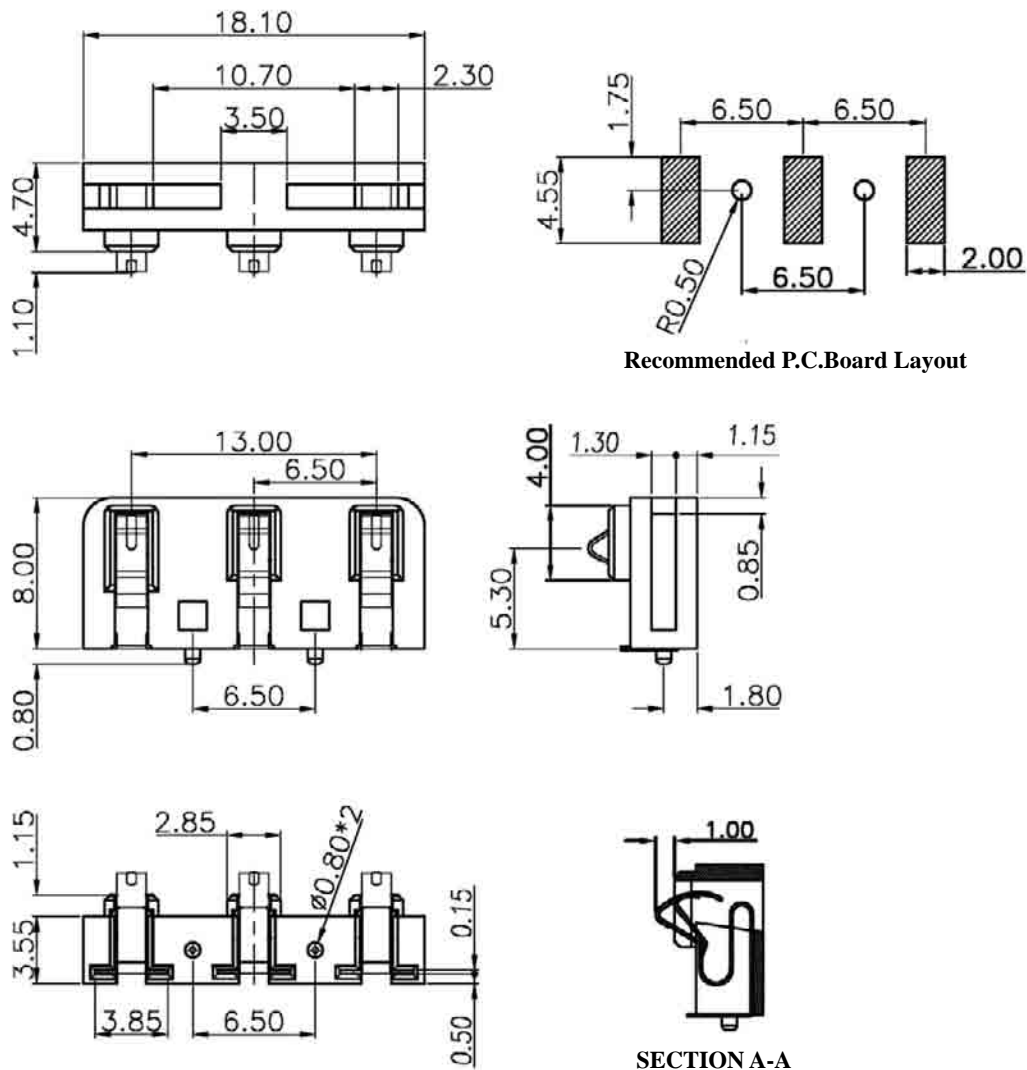
MATERIAL:

1.1 Housing: High Temp. Thermoplastic+Glass Fibre,
UL94V-0, Color: Black

1.2 Terminal: Copper Alloy

Finish: Gold Plated On Contact Area,
Gold Flash All Over 50µ Nickel plated

* RoHS & REACH compliant.



ORDERING INFORMATION:

P/N B Y C 6 5 0 - 0 0 3 G 3 0 E

1. CONTACT SPACING:
"650" 6.50MM
2. NO. OF CONTACTS:
003
3. CONTACT FINISH:
"30" 30 MICROINCH GOLD
4. CONNECTOR CODE:
E

6.50MM PITCH 3 PIN BATTERY CONNECTOR H=5.9MM

SPECIFICATION:

ELECTRICAL SPECIFICATION:

1.1 Rated Current: 2A

1.2 Rated Voltage: 250V

ENVIRONMENTAL:

2.1 Operation Temperature: -55°C ~ +125°C

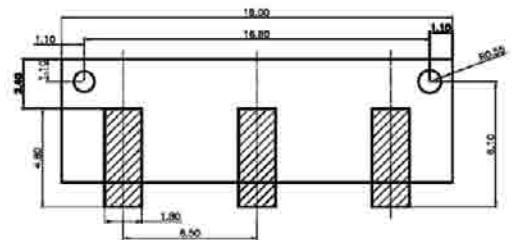
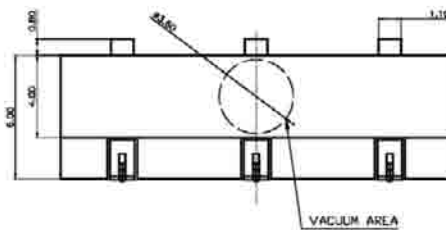
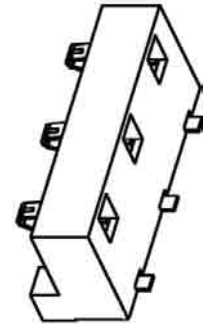
MATERIAL:

1.1 Housing: High Temp. Thermoplastic+Glass Fibre,
UL94V-0, Color: Black

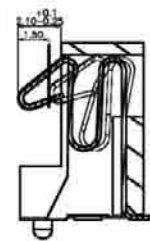
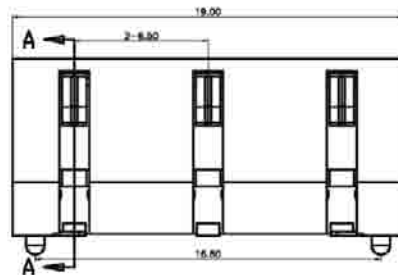
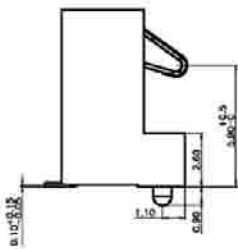
1.2 Terminal: Copper Alloy

Finish: Gold Plated On Contact Area,
Gold Flash All Over 50µ" Nickel plated

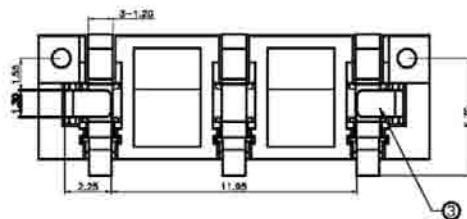
* RoHS & REACH compliant.



Recommended P.C.Board Layout



SECTION A-A



ORDERING INFORMATION:

P/N B Y C 650 - 003 G 05 F
1 2 3 4

1. CONTACT SPACING:

"650" 6.50MM

2. NO. OF CONTACTS:

003

3. CONTACT FINISH:

"05" 05 MICROINCH GOLD

4. CONNECTOR CODE:

F

7.20MM PITCH 2 PIN BATTERY CONNECTOR

SPECIFICATION:

ELECTRICAL SPECIFICATION:

1.1 Rated Current: 2A

1.2 Rated Voltage: 250V

ENVIRONMENTAL:

2.1 Operation Temperature: -55°C ~ +125°C

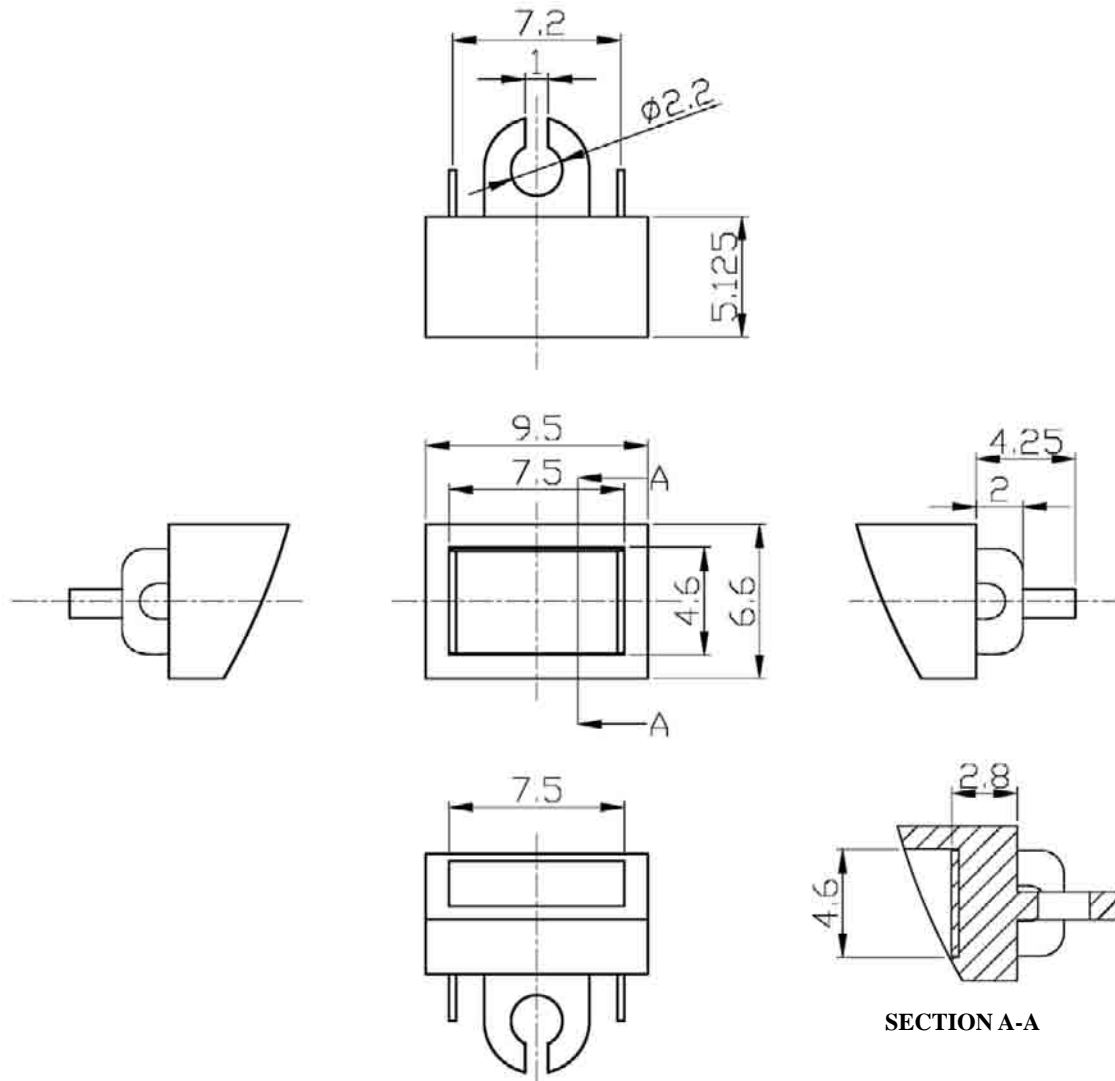
MATERIAL:

1.1 Housing: High Temp. Thermoplastic+Glass Fibre,
UL94V-0, Color: Black

1.2 Terminal: Copper Alloy

Finish: Gold Plated On Contact Area,
Gold Flash All Over 50µ Nickel plated

* RoHS & REACH compliant.



ORDERING INFORMATION:

P/N B Y C 7 2 0 - 0 0 2 G 0 1 A
 1 2 3 4

1. CONTACT SPACING:
"720" 7.20MM
2. NO. OF CONTACTS:
002
3. CONTACT FINISH:
"01" GOLD FLASH
4. CONNECTOR CODE:
A

BATTERY CONTACT SPRING

SPECIFICATION:

ELECTRICAL SPECIFICATION:

1.1 Rated Current: 2A

1.2 Rated Voltage: 250V

ENVIRONMENTAL:

2.1 Operation Temperature: -55°C ~ +125°C

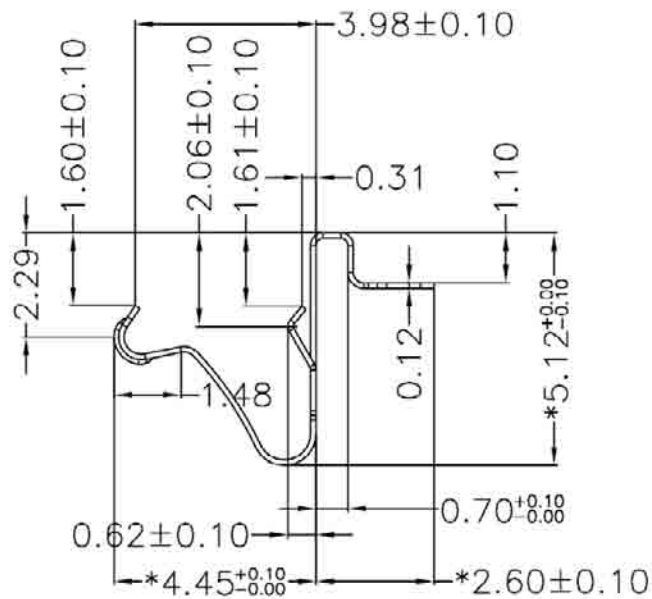
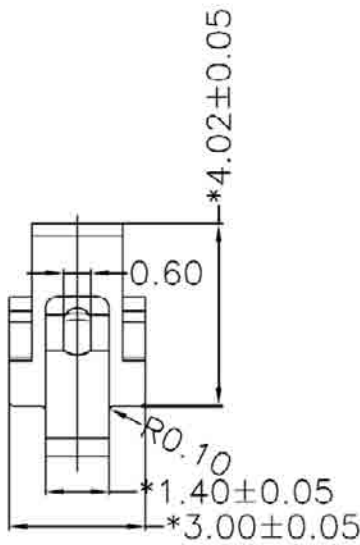
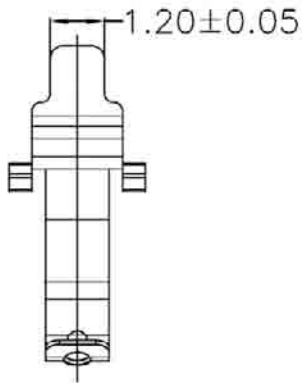
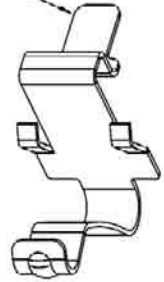
MATERIAL:

Terminal: C5210R-SH, T=0.12mm

Finish: Gold Plated On Contact Area,
Gold Flash All Over 50µ Nickel plated

* RoHS & REACH compliant.

Burr Surface



ORDERING INFORMATION:

P/N B Y C 999 - 001 G 05 A
 1 2 3 4

1. CONTACT SPACING:
"999" CONTACT SPRING
2. NO. OF CONTACTS:
001
3. CONTACT FINISH:
"05" 5 MICRINCH GOLD
4. CONNECTOR CODE:
A

INDEX

0.60MM(0.024") SPACING 200 PIN SO-DIMM SOCKETS-----	E002~E019
0.80MM(0.032") SPACING 124 PIN MINI PCI SLOT SOCKETS-----	E020~E027
0.80MM(0.032") SPACING 52 PIN MINI PCI SLOT SOCKETS-----	E028
0.80MM(0.032") SPACING 40, 60 & 70 PIN MINI SLOT SOCKETS-----	E029~E030
0.80MM(0.032") SPACING 144 PIN MINI SLOT SOCKETS-----	E031~E032
1.00MM(0.039") SPACING 26 PIN PCI EXPRESS SLOT SOCKETS-----	E033
1.00MM(0.039") SPACING 36 PIN PCI EXPRESS SLOT SOCKETS-----	E034~E035
1.00MM(0.039") SPACING 64 PIN PCI EXPRESS SLOT SOCKETS-----	E036~E038
1.00MM(0.039") SPACING 98 PIN PCI EXPRESS SLOT SOCKETS-----	E039~E040
1.00MM(0.039") SPACING ALL PIN PCI EXPRESS SLOT SOCKETS-----	E041~E042
1.00MM(0.039") SPACING 164 PIN PCI EXPRESS SLOT SOCKETS-----	E043~E047
1.00MM(0.039") SPACING 124 PIN AGP SLOT SOCKETS-----	E048~E049
1.00MM(0.039") SPACING 132 PIN UAGP SLOT SOCKETS-----	E050~E051
1.00MM(0.039") SPACING 180 PIN AGP-PRO SLOT SOCKETS-----	E052
1.00MM(0.039") SPACING 240 PIN DDR II SOCKETS-----	E053~E054
1.00MM(0.039") SPACING 240 PIN DDR III SOCEKTS-----	E055
1.27MM(0.050") SPACING ALL PIN CARDEDGE SLOT SOCKETS-----	E056~E060
1.27MM(0.050") SPACING 22 PIN CARDEDGE SLOT SOCKETS-----	E061
1.27MM(0.050") SPACING 40 PIN CARDEDGE SLOT SOCKETS-----	E062~E064
1.27MM(0.050") SPACING 100 PIN EISA SLOT SOCKETS-----	E065
1.27MM(0.050") SPACING 120 PIN PCI SLOT SOCKETS-----	E066~E072
1.27MM(0.050") SPACING 154 PIN EISA SLOT SOCKETS-----	E073
1.27MM(0.050") SPACING 182 PIN MCA SLOT SOCKETS-----	E074
1.27MM(0.050") SPACING 184 PIN PCI SLOT SOCKETS-----	E075~E083
1.27MM(0.050") SPACING 188 PIN EISA SLOT SOCKETS-----	E084
1.27MM(0.050") SPACING 219 PIN PCI SLOT SOCKETS-----	E085
1.27MM(0.050") SPACING 330 PIN PCI SLOT SOCKETS-----	E086
1.27MM(0.050") SPACING 168 PIN DIMM SOCKETS-----	E087~E098
1.27MM(0.050") SPACING 100 PIN DIMM SOCKETS-----	E099
1.27MM(0.050") SPACING 184 PIN DDR SOCKETS-----	E100~E110
1.27MM(0.050") SPACING 200 PIN DDR SOCKETS-----	E111
1.27MM(0.050") SPACING 68 PIN SIMM SOCKETS-----	E112
1.27MM(0.050") SPACING 80 PIN SIMM SOCKETS-----	E113
1.27MM(0.050") SPACING 144 PIN SIMM SOCKETS-----	E114
1.27MM(0.050") SPACING 64, 68, 72 & 80 PIN SIMM SOCKETS-----	E115~E116
1.27MM(0.050") SPACING 72 PIN SIMM SOCKETS-----	E117
1.27MM(0.050") SPACING 8 PIN SPIKL CONNECTORS-----	E118~E119
1.27MM(0.050") SPACING 478 PIN mPGA SOCKET-----	E120
1.27MM(0.050") SPACING 754 PIN ZIF SOCKETS-----	E121
1.27MM(0.050") SPACING 939 PIN ZIF SOCKETS-----	E122
1.27MM(0.050") SPACING 940 PIN ZIF SOCKETS-----	E123~E124
1.50MM(0.059") SPACING BATTERY CONNECTORS-----	E125
1.60MM(0.063") SPACING BATTERY CONNECTORS-----	E126~E127
2.50MM(0.098") SPACING BATTERY CONNECTORS-----	E128~E130
2.54MM(0.100") SPACING ALL PIN CARDEDGE SLOT CONNECTORS-----	E131~E134
2.54MM(0.100") SPACING 22 PIN SIMM SOCKETS-----	E135
2.54MM(0.100") SPACING 30 PIN SIMM SOCKETS-----	E136~E140
2.54MM(0.100") SPACING 40+4 PIN 2 IN 1 COMBO CONNECTORS-----	E141~E144
2.54MM(0.100") SPACING 321 PIN ZIF SOCKET-----	E145
2.54MM(0.100") SPACING 370 PIN ZIF SOCKET-----	E146
2.54MM(0.100") SPACING 462 PIN ZIF SOCKET-----	E147
3.175MM SPACING ALL PIN CARDEDGE SLOT CONNECTORS-----	E148~E150
3.96MM(0.156") SPACING ALL PIN CARDEDGE SLOT CONNECTORS-----	E151~E157
BATTERY HOLDERS-----	E158~E168

NOTE: All relevant materials are complied with RoHS directive.

Technical alterations are subject to change without notice.